



US00D448790B1

(12) **United States Design Patent**  
**Suzuki et al.**

(10) **Patent No.:** **US D448,790 S**

(45) **Date of Patent:** **\*\* Oct. 2, 2001**

(54) **LENS SHUTTER CAMERA**

4,556,304 \* 12/1985 Fukuda ..... 396/448

4,557,574 \* 12/1985 Kohno et al. .... 396/448

5,970,265 \* 10/1999 Schelling ..... 396/348

(75) Inventors: **Tatsuya Suzuki; Yasuo Funakoshi,**  
both of Tokyo (JP)

\* cited by examiner

(73) Assignee: **Olympus Optical Co., Ltd.,** Tokyo (JP)

*Primary Examiner*—Adir Aronovich

(\*\*) Term: **14 Years**

(74) *Attorney, Agent, or Firm*—Hogan & Hartson, L.L.P.

(21) Appl. No.: **29/126,969**

(57) **CLAIM**

(22) Filed: **Jul. 27, 2000**

The ornamental design for a lens shutter camera, as shown and described.

**Related U.S. Application Data**

**DESCRIPTION**

(62) Division of application No. 29/093,191, filed on Sep. 4, 1998.

FIG. 1 is a front, top and right side perspective view of a lens shutter camera, showing our new design;

FIG. 2 is a top plan view thereof;

(51) **LOC (7) Cl.** ..... **16-05**

FIG. 3 is a front elevational view thereof;

(52) **U.S. Cl.** ..... **D16/219; D16/212**

FIG. 4 is a left side elevational view thereof;

(58) **Field of Search** ..... D16/200–204,  
D16/208, 209, 211, 212, 218, 219; D20/22,  
23; 396/348–350, 448, 535–541

FIG. 5 is a right side elevational view thereof;

FIG. 6 is a rear elevational view thereof;

FIG. 7 is a bottom plan view thereof; and,

FIG. 8 is a top plan view thereof with a cover in an opened state, a lens-barrel extended and an electronic flashing unit in a raised state.

(56) **References Cited**

**U.S. PATENT DOCUMENTS**

D. 389,849 \* 1/1998 Kim ..... D16/209

D. 412,518 \* 8/1999 Naito ..... D16/212

D. 415,511 \* 10/1999 Funakoshi et al. .... D16/209

D. 428,036 \* 7/2000 Yoshida et al. .... D16/209

The broken portions of a lens shutter camera are illustrated to show the environment only and form no part of the claimed design.

**1 Claim, 3 Drawing Sheets**

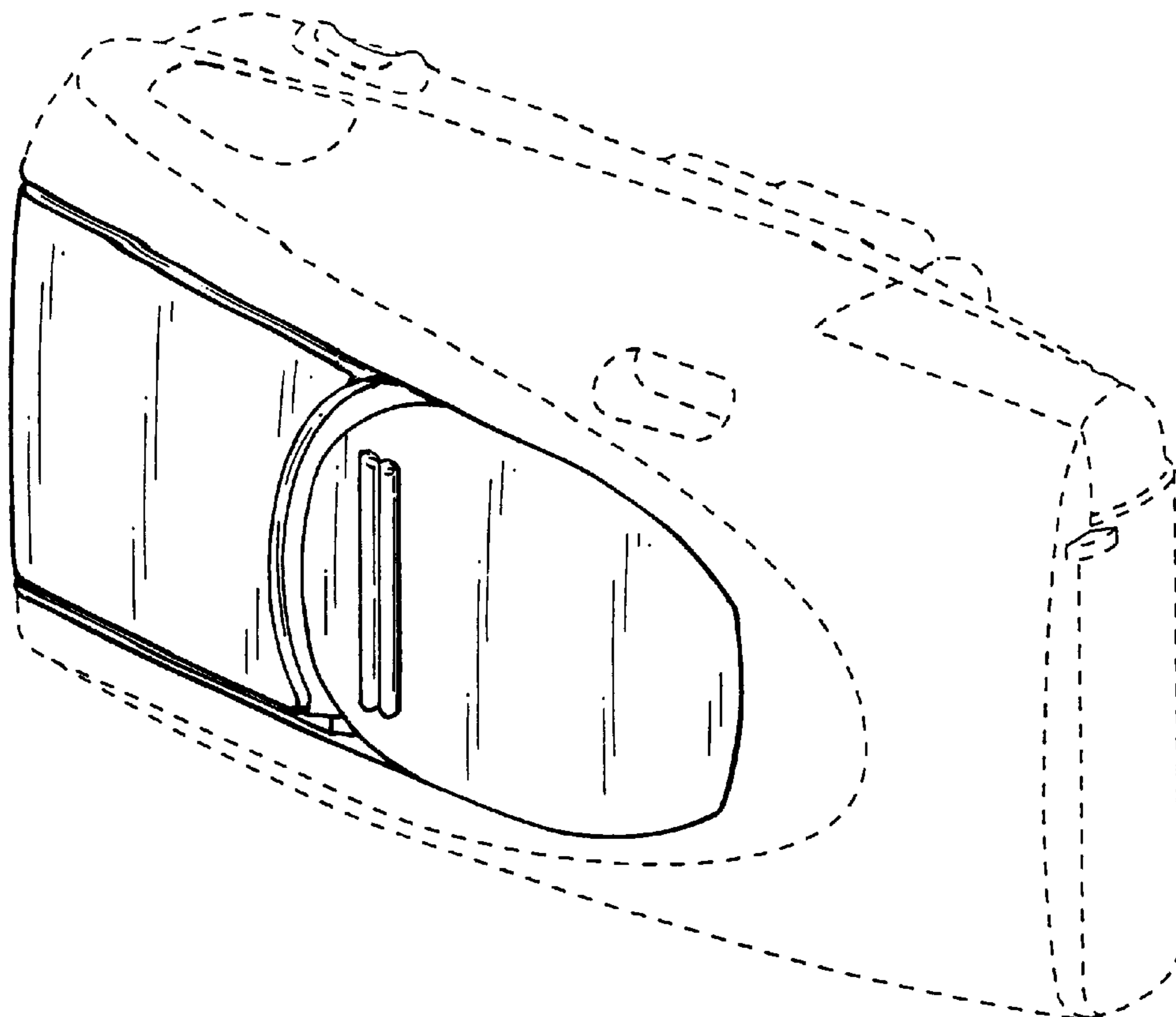


FIG. 1

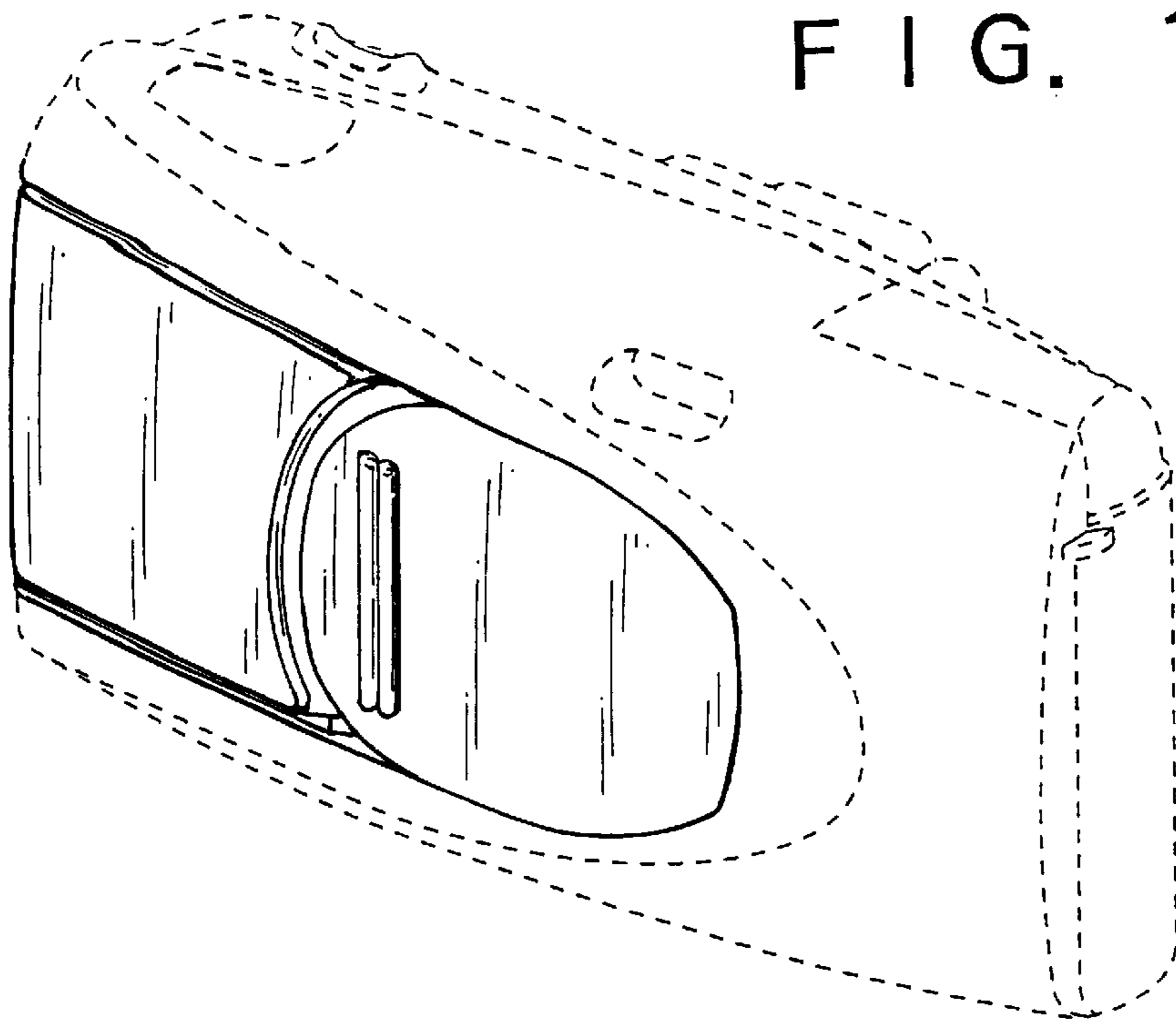


FIG. 2

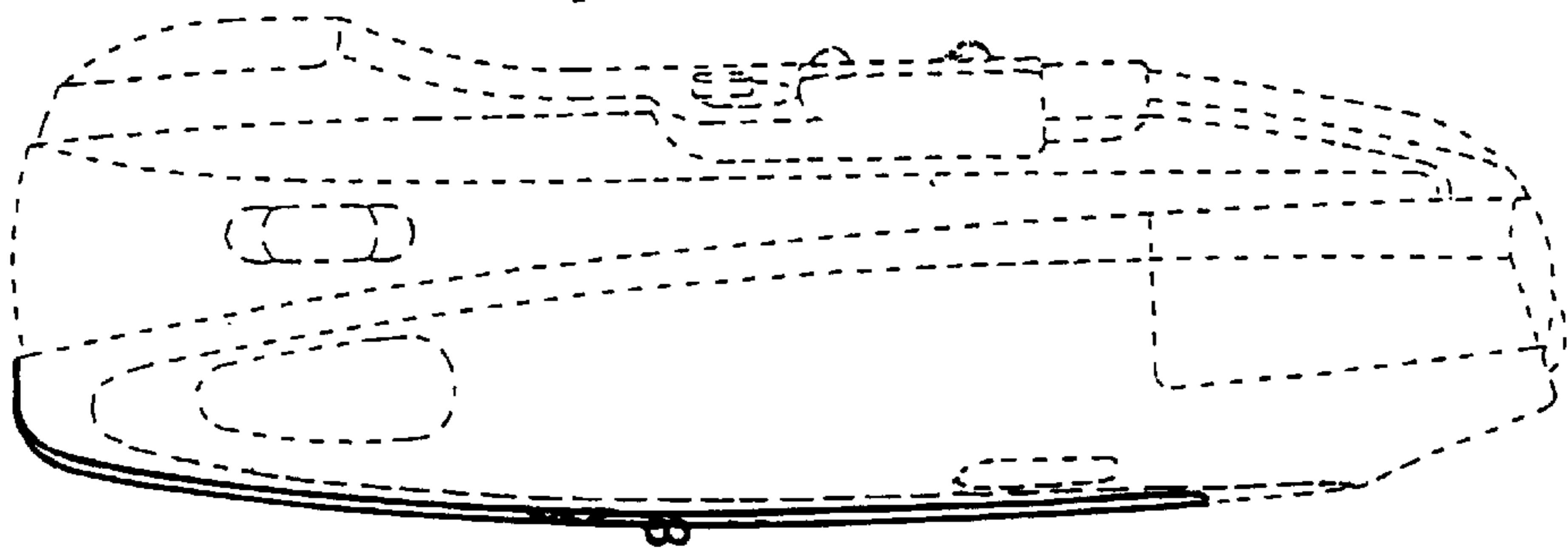


FIG. 3

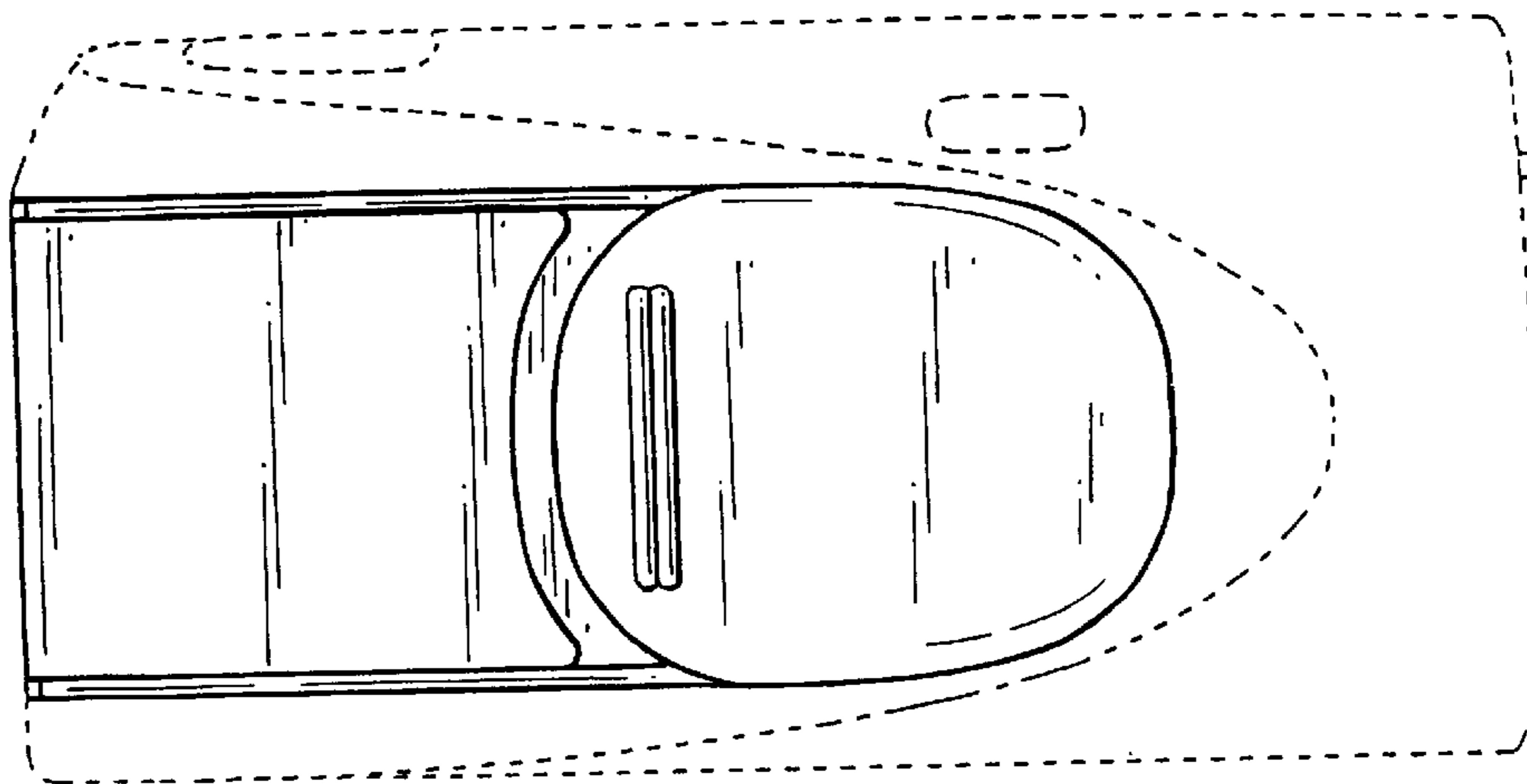


FIG. 4

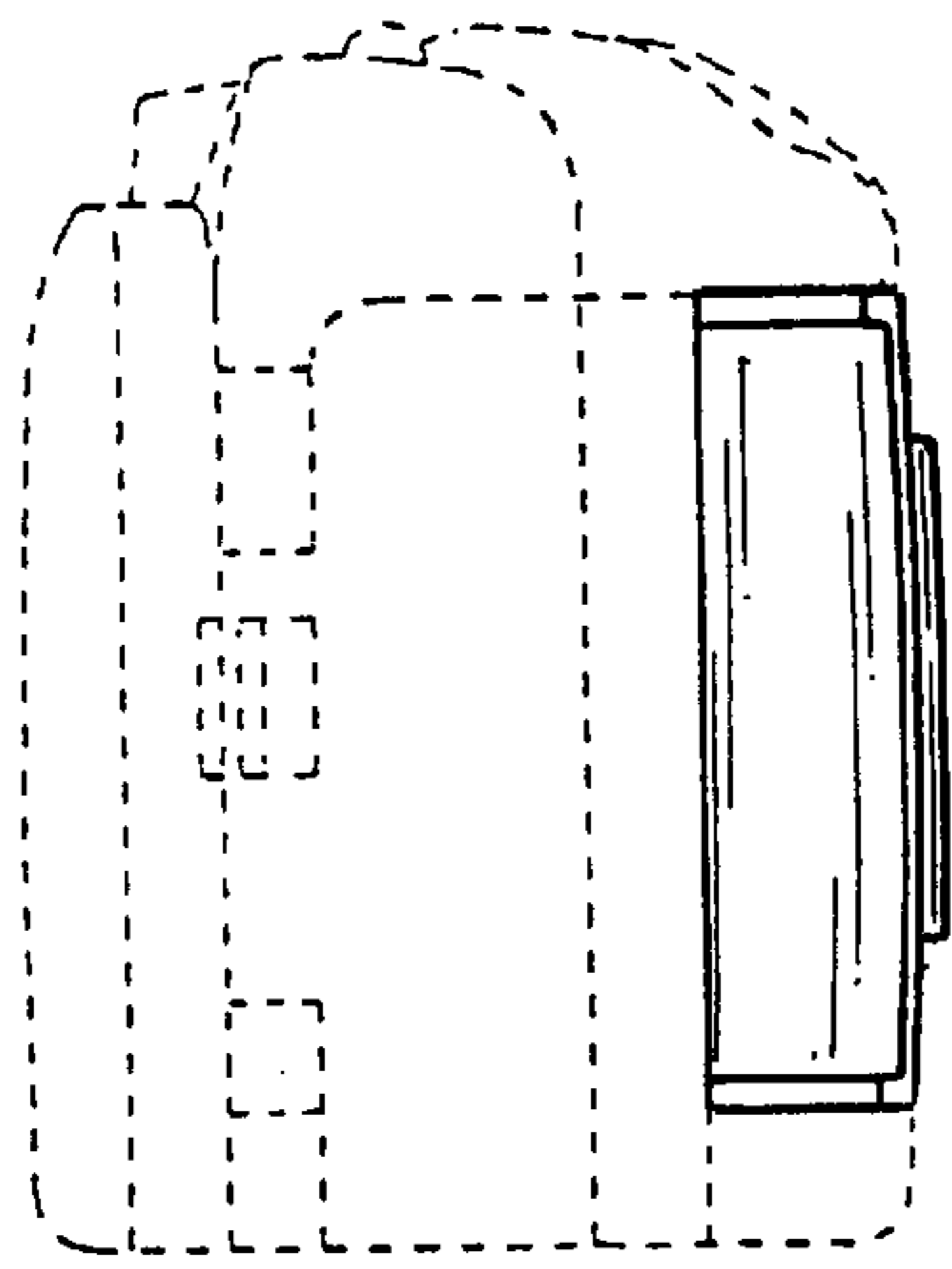


FIG. 5

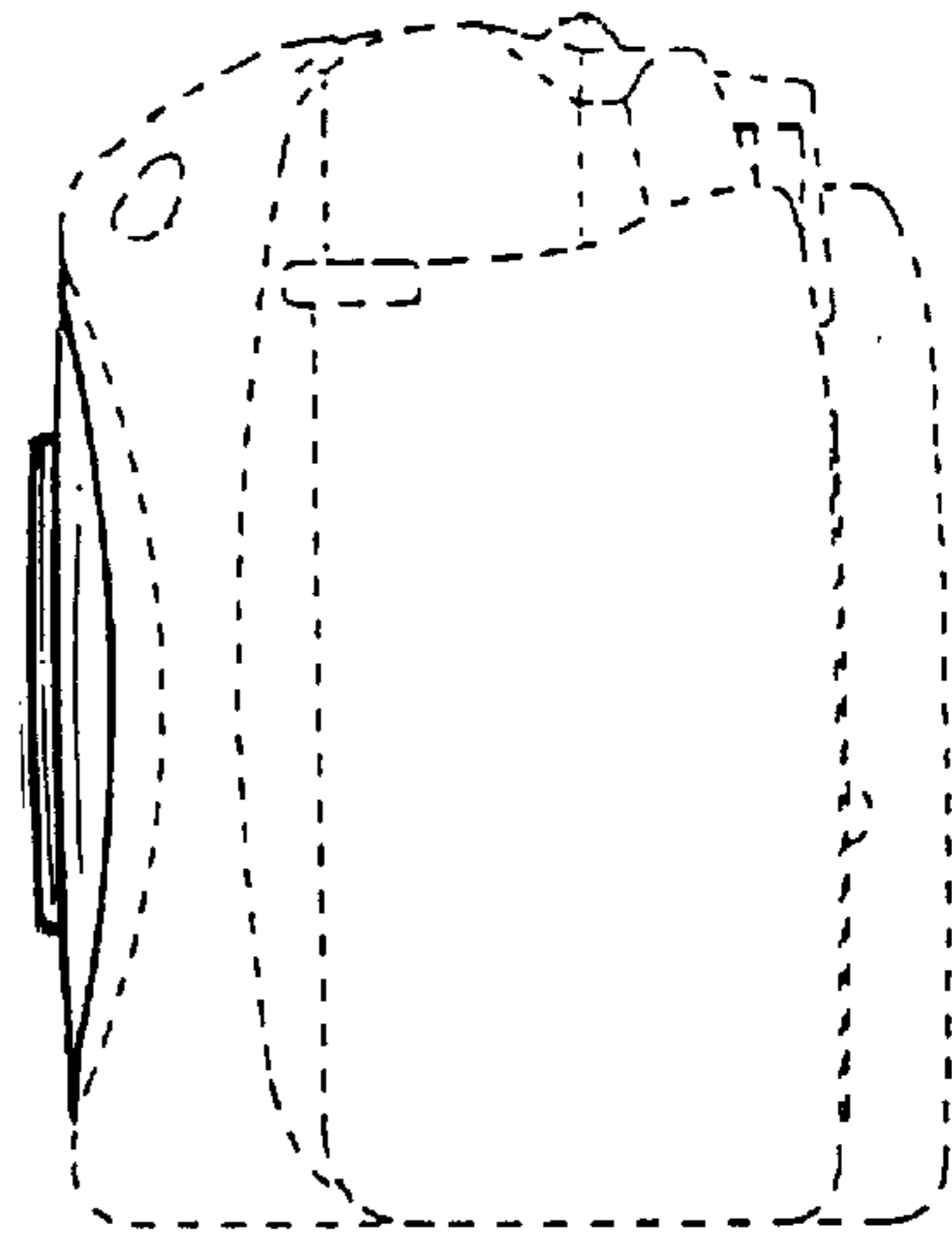


FIG. 6

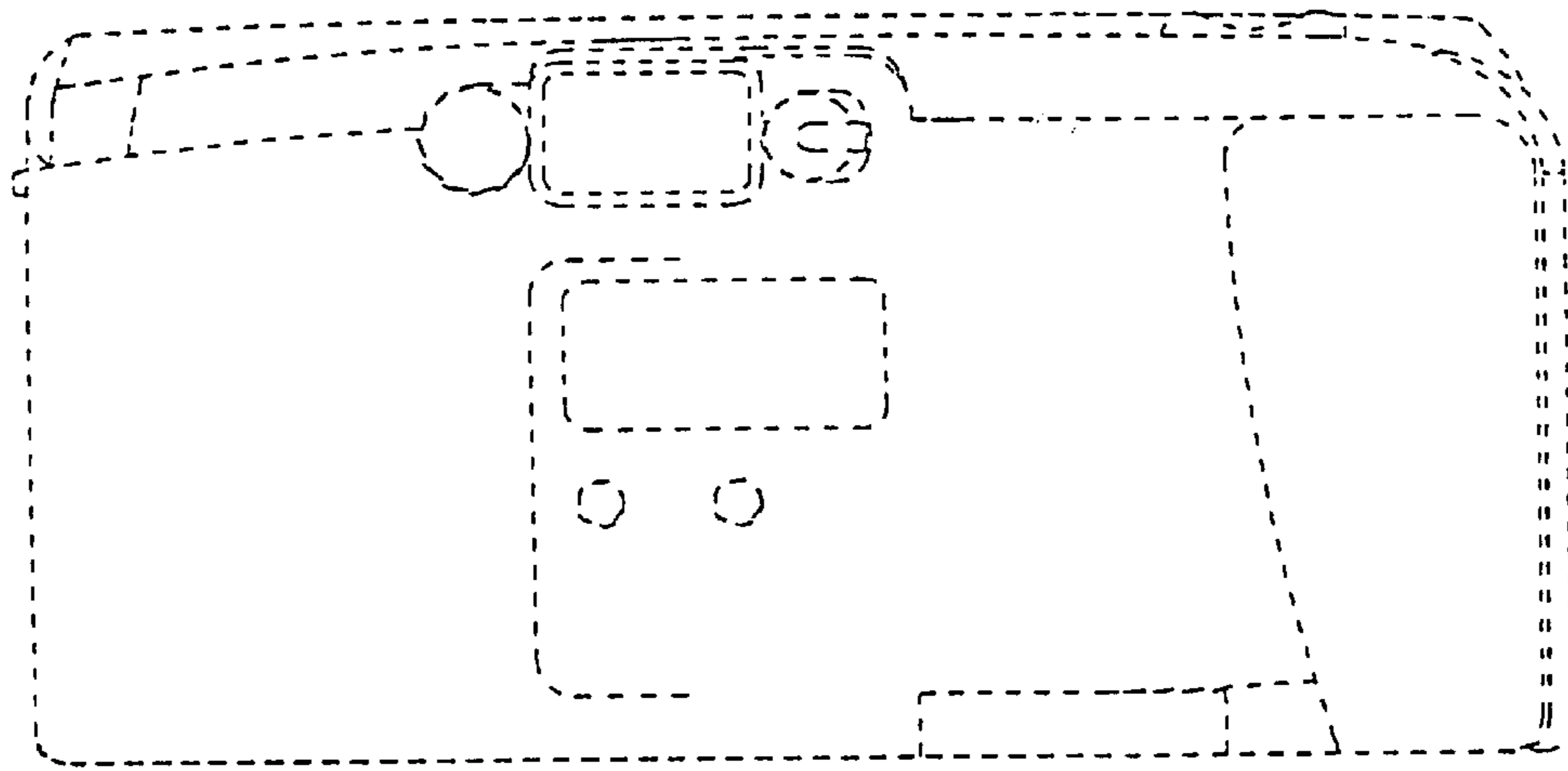


FIG. 7

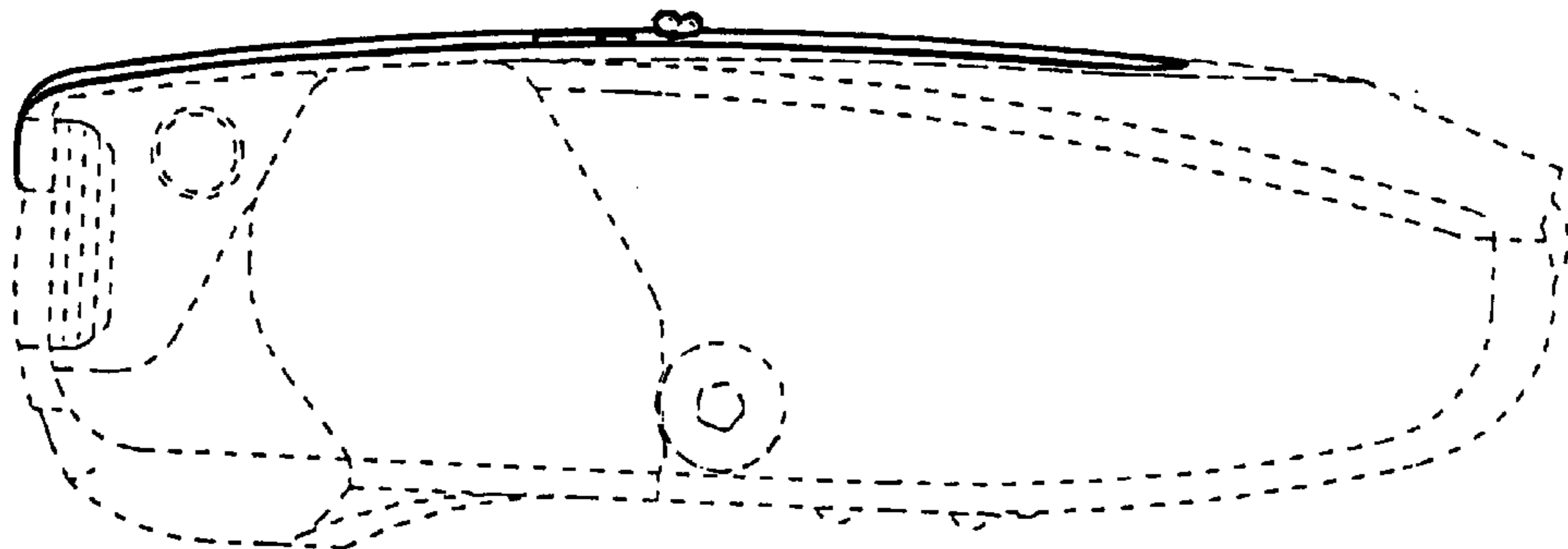
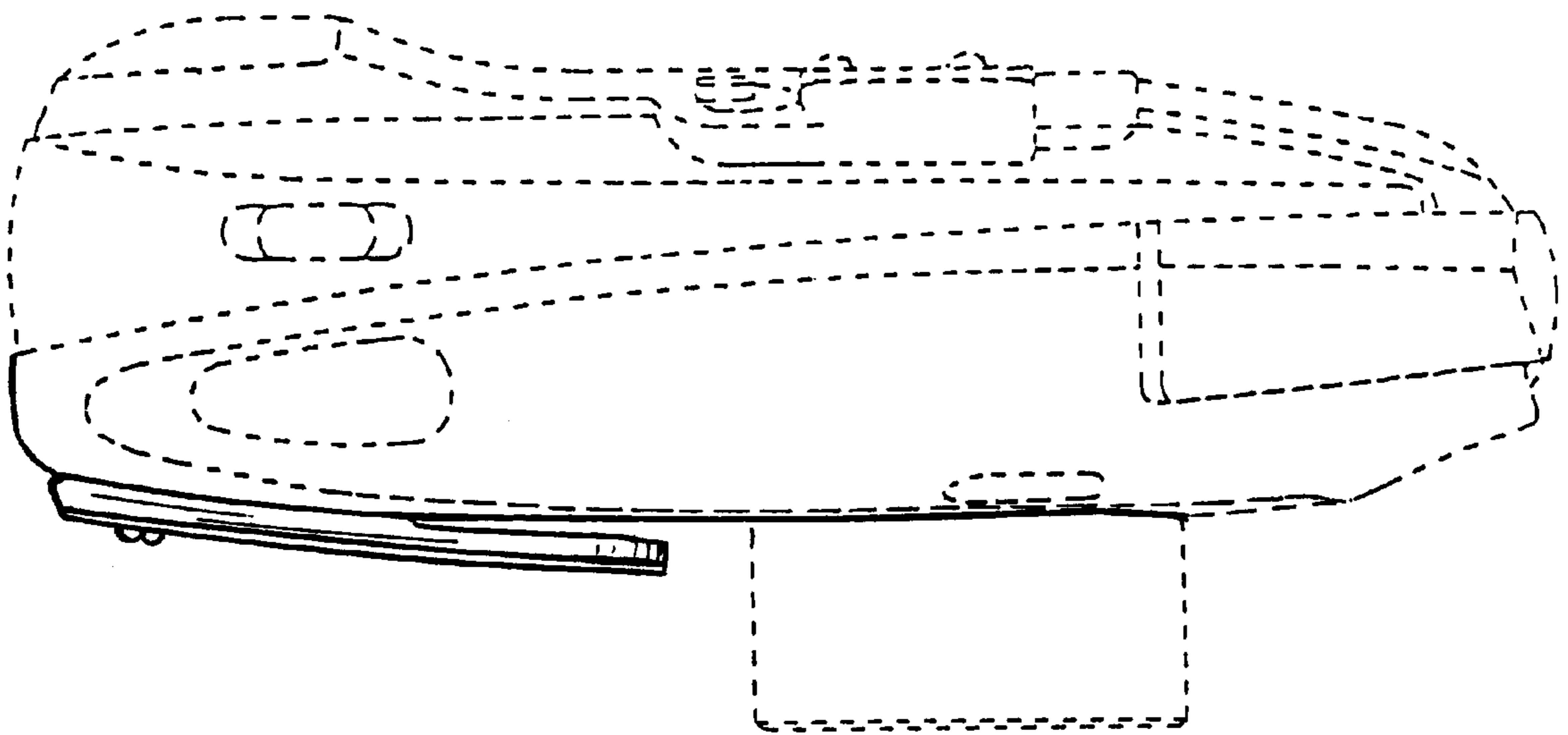


FIG. 8



**UNITED STATES PATENT AND TRADEMARK OFFICE**  
**Certificate**

Patent No. D 448,790 S

Patented: October 2, 2001

On petition requesting issuance of a certificate for correction of inventorship pursuant to 35 U.S.C. 256, it has been found that the above identified patent, through error and without deceptive intent, improperly sets forth the inventorship.

Accordingly, it is hereby certified that the correct inventorship of this patent is: Yasuo Funakoshi.

Signed and Sealed this Eighth Day of October 2002.

**TED SHOOMAN**  
*Supervisory Patent Examiner*  
Art Unit 2912