



US00D448788B1

(12) **United States Design Patent**
Kawai

(10) **Patent No.:** **US D448,788 S**

(45) **Date of Patent:** **** Oct. 2, 2001**

(54) **CAMERA**

(75) Inventor: **Hideki Kawai**, Tokyo (JP)

(73) Assignee: **Canon Kabushiki Kaisha**, Tokyo (JP)

(**) Term: **14 Years**

(21) Appl. No.: **29/135,639**

(22) Filed: **Jan. 17, 2001**

(30) **Foreign Application Priority Data**

Jul. 21, 2000 (JP) 12-020125

(51) **LOC (7) Cl.** **16-01**

(52) **U.S. Cl.** **D16/218; D16/209**

(58) **Field of Search** **D16/200-205,**
D16/208, 209, 211, 212, 217, 218; 396/535-541

(56) **References Cited**

U.S. PATENT DOCUMENTS

D. 385,569 * 10/1997 Takimura D16/202

D. 418,854 * 1/2000 Hayashi D16/209

D. 430,186 * 8/2000 Suzuki et al. D16/218

D. 432,554 * 10/2000 Matsumura D16/218

5,835,810 * 11/1998 Lawther et al. 396/538

* cited by examiner

Primary Examiner—Adir Aronovich

(74) *Attorney, Agent, or Firm*—Fitzpatrick, Cella, Harper & Scinto

(57) **CLAIM**

The ornamental design for a camera, as shown and described.

DESCRIPTION

FIG. 1 is a front view of a camera, showing my new design;
FIG. 2 is a rear view thereof;
FIG. 3 is a top plan view thereof;
FIG. 4 is a bottom plan view thereof;
FIG. 5 is a left side view thereof;
FIG. 6 is a right side view thereof; and,
FIG. 7 is a perspective view thereof.

1 Claim, 4 Drawing Sheets

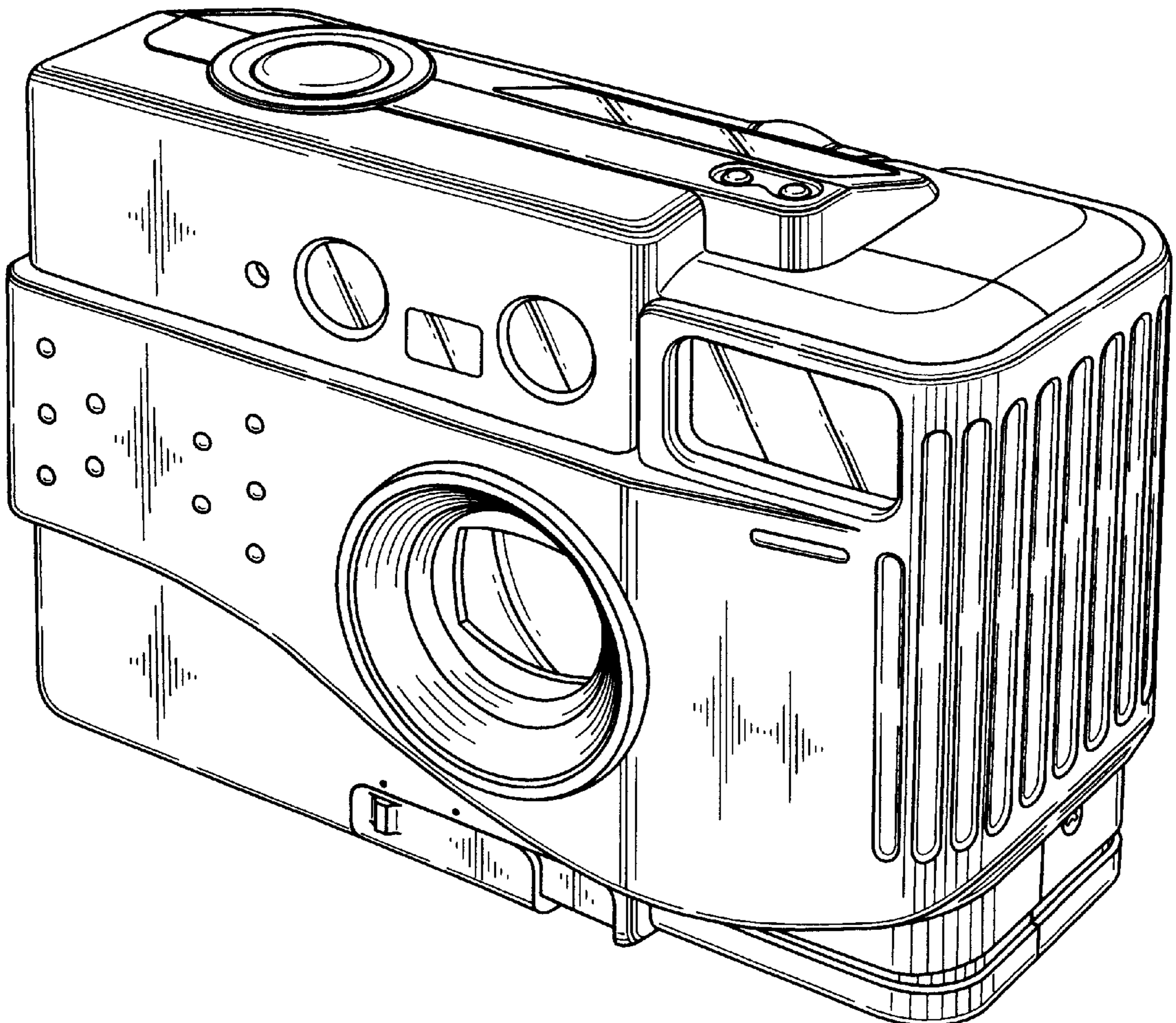


FIG. 1

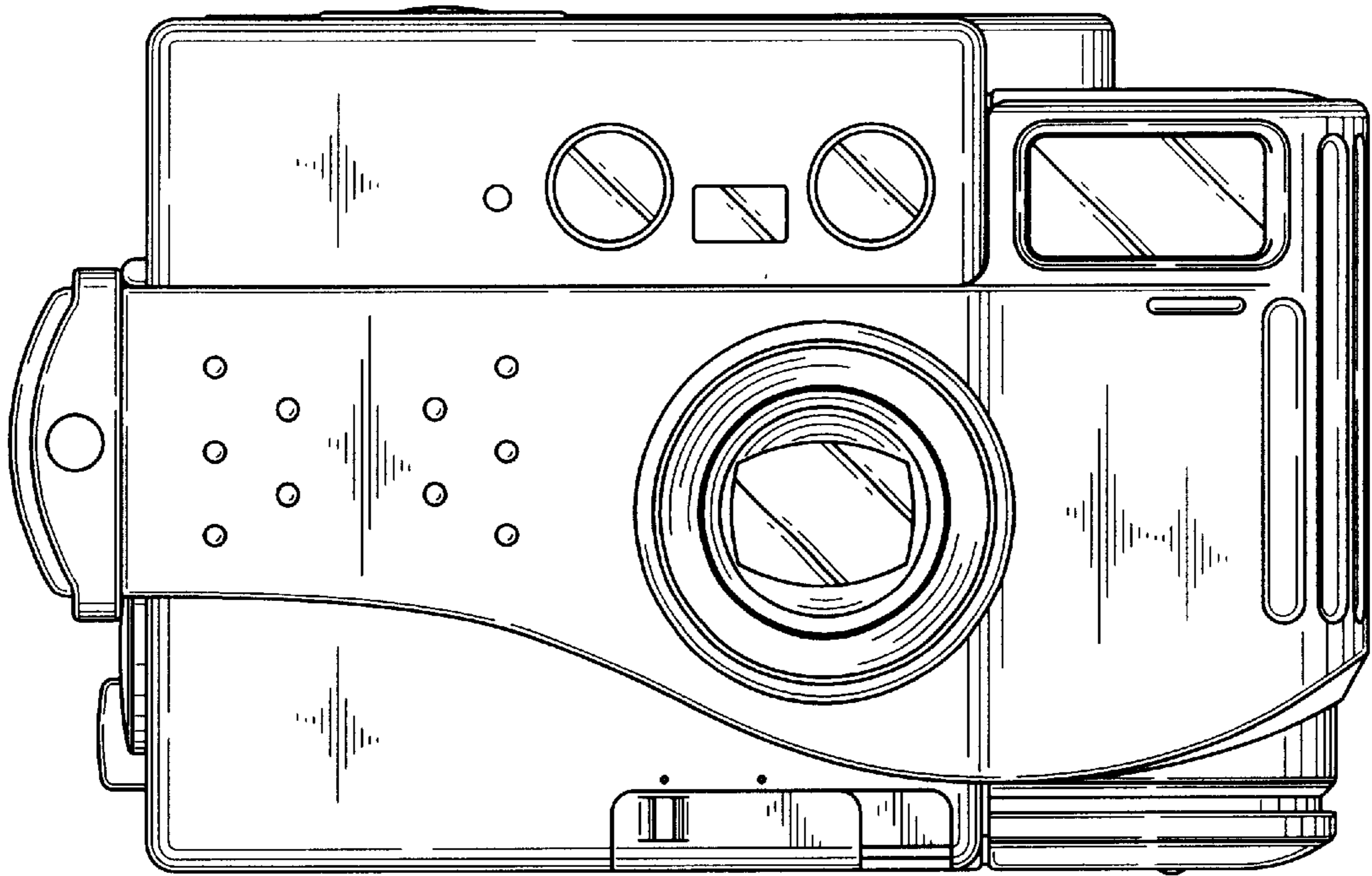


FIG. 2

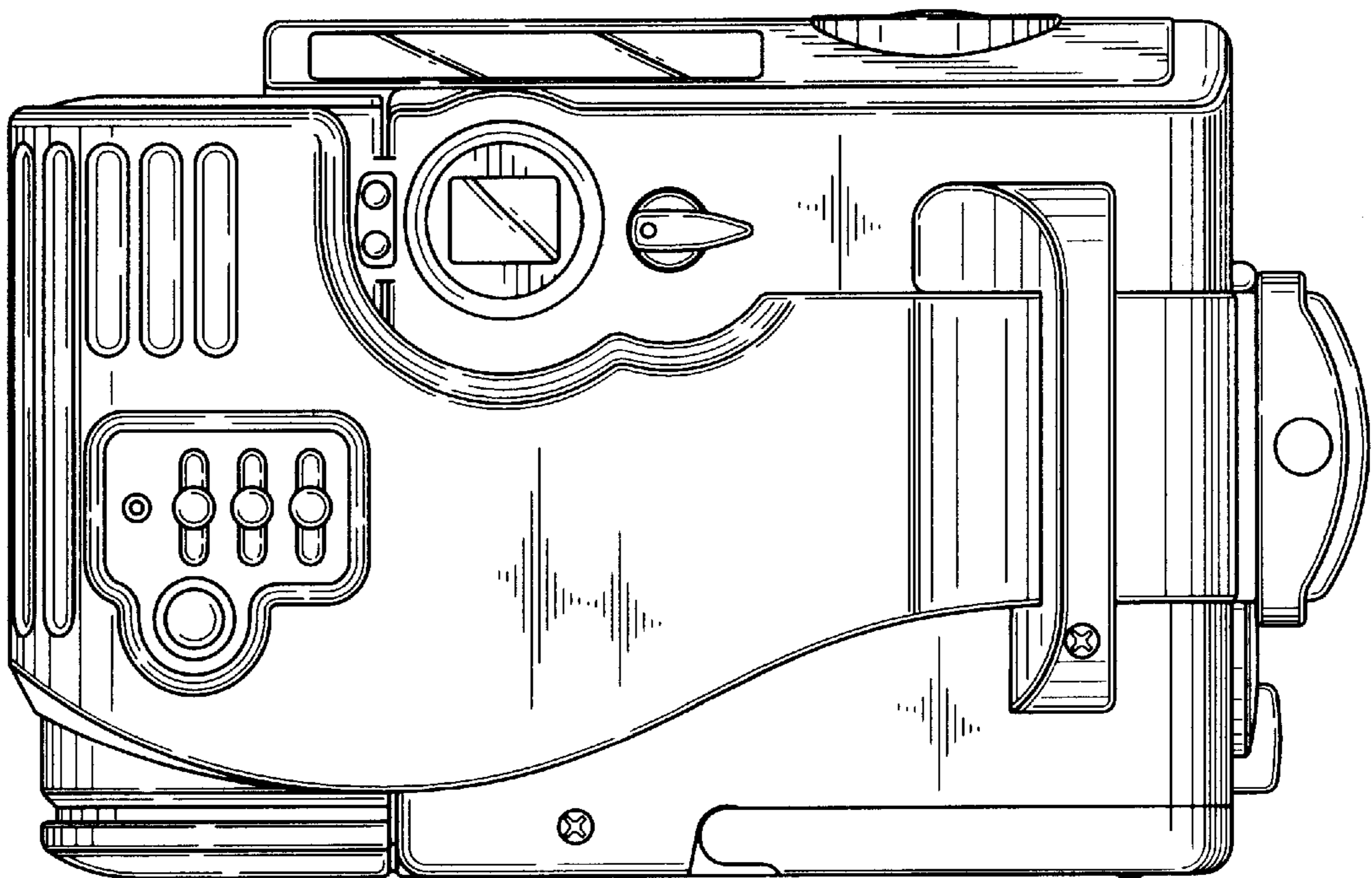


FIG. 3

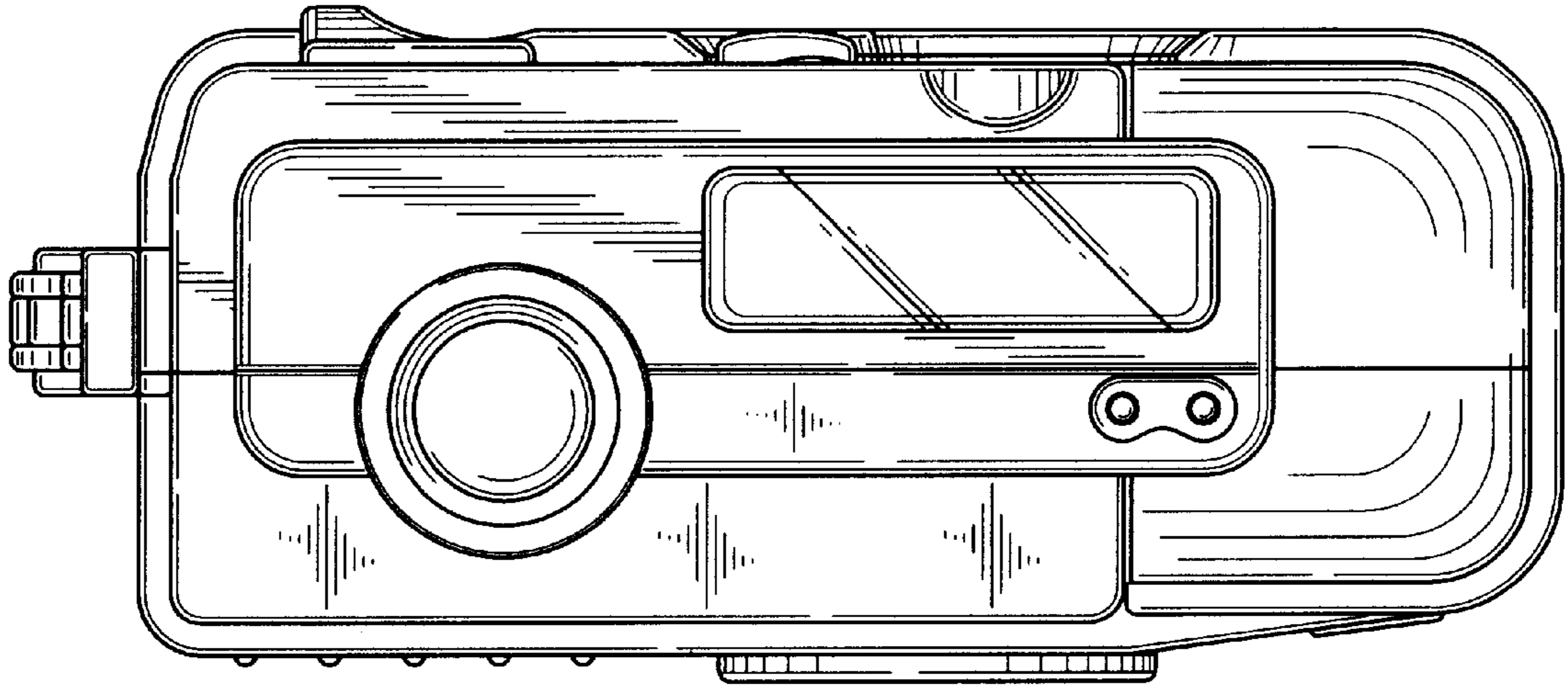


FIG. 4

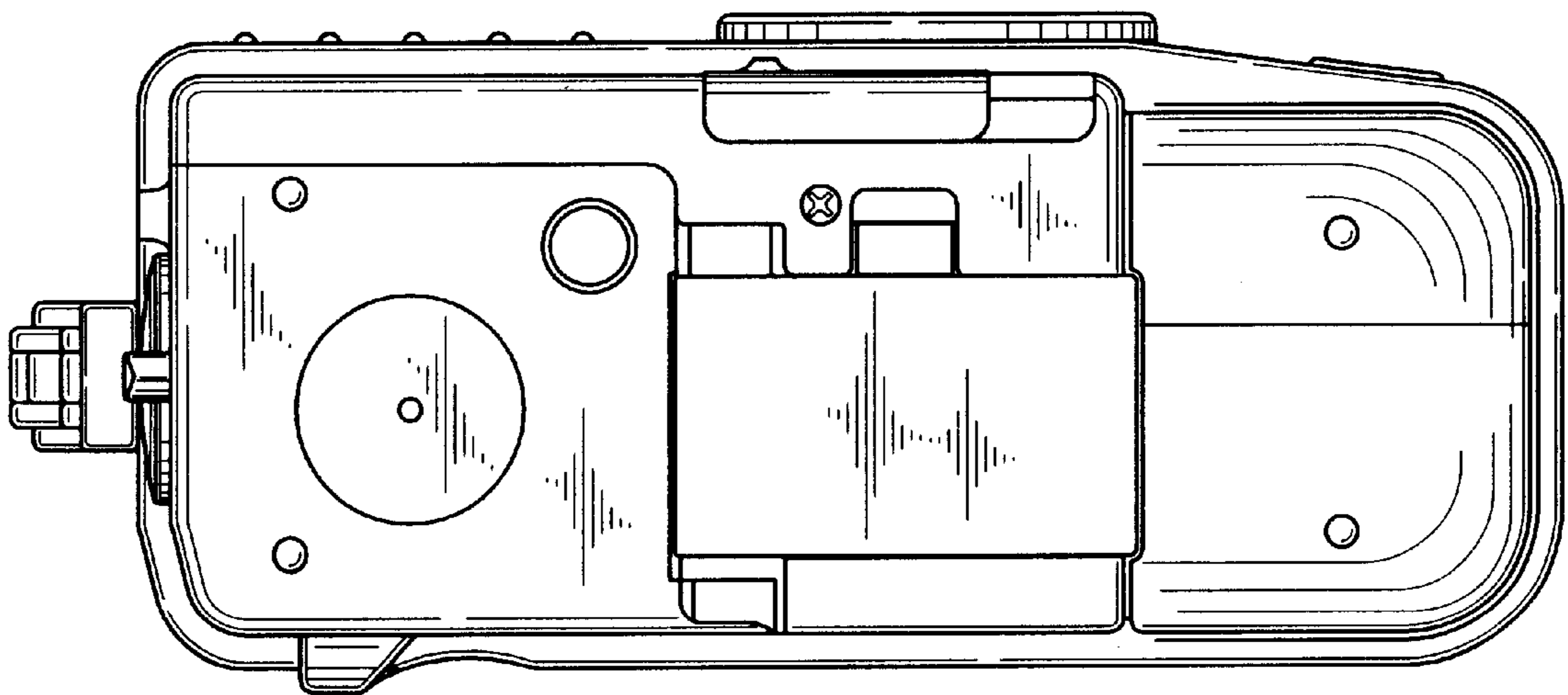


FIG. 5

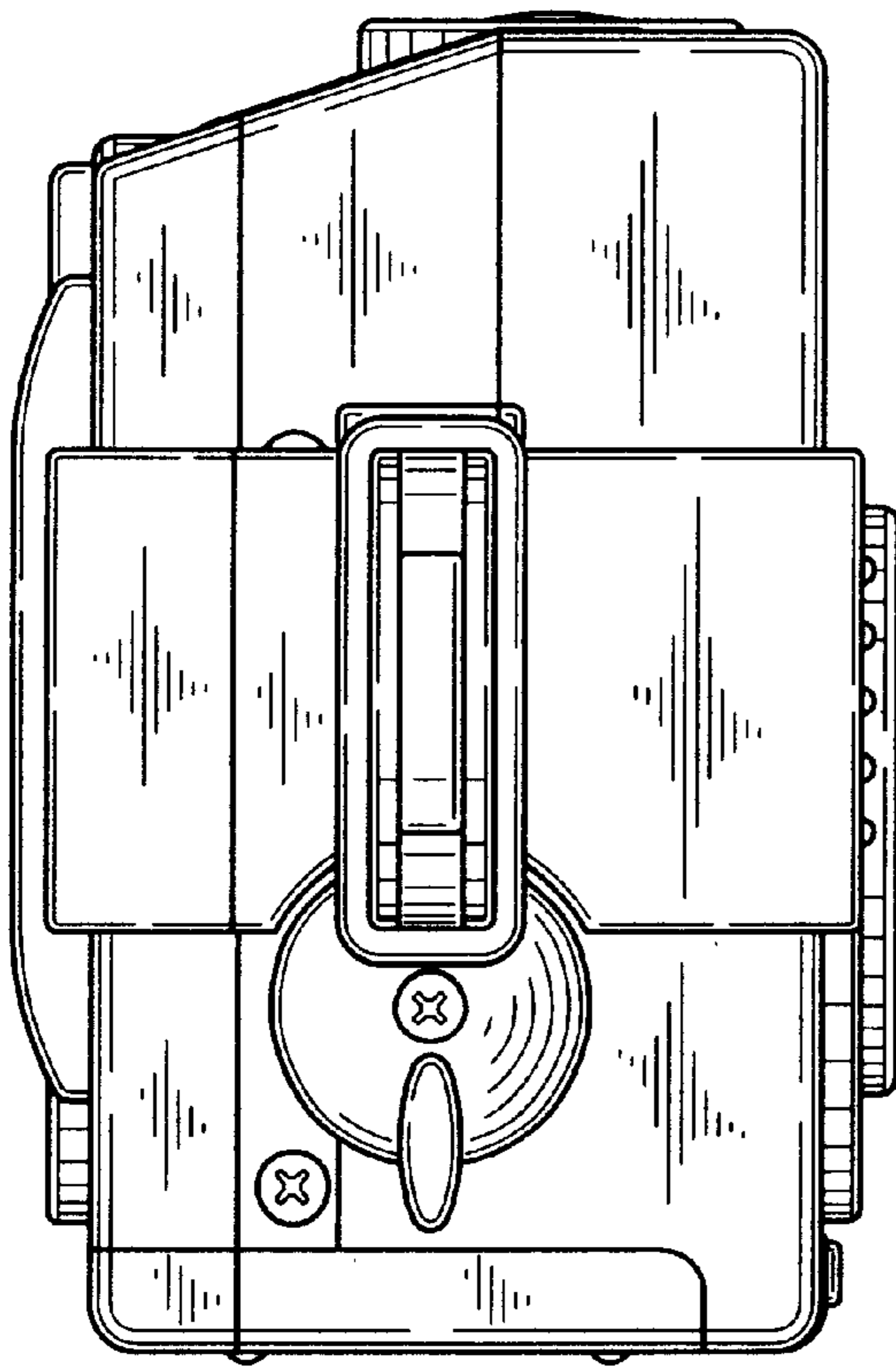


FIG. 6

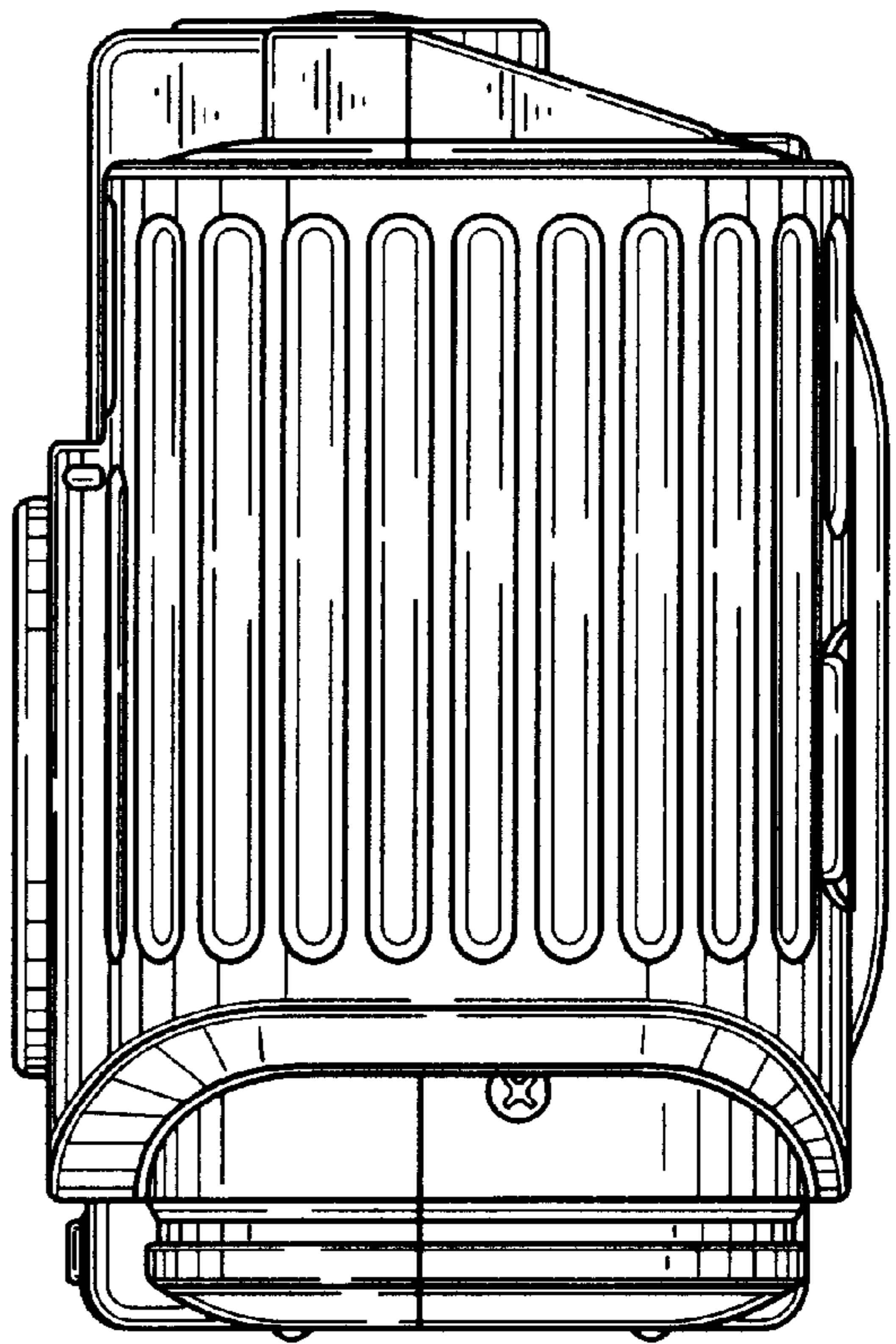


FIG. 7

