



US00D448786B1

(12) **United States Design Patent**
Kawai

(10) **Patent No.:** **US D448,786 S**

(45) **Date of Patent:** **** Oct. 2, 2001**

(54) **CAMERA**

(75) **Inventor:** **Hideki Kawai, Tokyo (JP)**

(73) **Assignee:** **Canon Kabushiki Kaisha, Tokyo (JP)**

(**) **Term:** **14 Years**

(21) **Appl. No.:** **29/135,637**

(22) **Filed:** **Jan. 17, 2001**

(30) **Foreign Application Priority Data**

Jul. 21, 2000 (JP) 12-020126

(51) **LOC (7) Cl.** **16-01**

(52) **U.S. Cl.** **D16/209**

(58) **Field of Search** D16/200–205,
D16/208, 209, 217, 218; 396/535–541

(56) **References Cited**

U.S. PATENT DOCUMENTS

- D. 320,610 * 10/1991 Chan D16/209
- D. 394,444 * 5/1998 Hoshi et al. D16/209
- D. 395,665 * 6/1998 Matsumura et al. D16/209

- D. 407,731 * 4/1999 Morishita et al. D16/209
- D. 410,482 6/1999 Kawai D16/218
- D. 411,852 * 7/1999 Huang D16/209
- D. 412,519 * 8/1999 Omino et al. D16/218
- 5,581,321 * 12/1996 Boyd 396/535

* cited by examiner

Primary Examiner—Adir Aronovich

(74) *Attorney, Agent, or Firm*—Fitzpatrick, Cella, Harper & Scinto

(57) **CLAIM**

The ornamental design for a camera, as shown and described.

DESCRIPTION

FIG. 1 is a front view of a camera, showing my new design; FIG. 2 is a rear view thereof; FIG. 3 is a top plan view thereof; FIG. 4 is a bottom plan view thereof; FIG. 5 is a left side view thereof; FIG. 6 is a right side view thereof; and, FIG. 7 is a perspective view thereof.

1 Claim, 4 Drawing Sheets

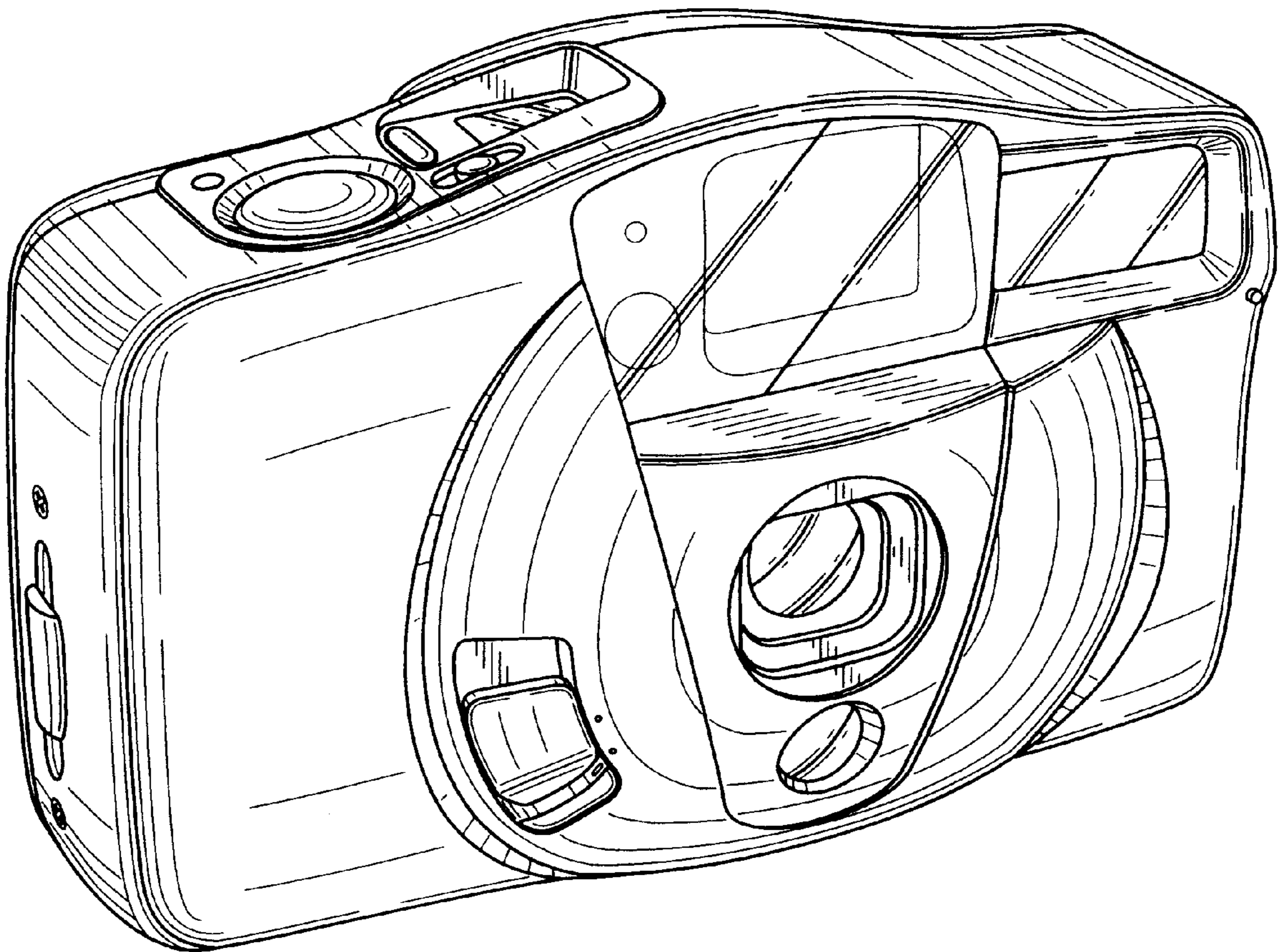


FIG. 1

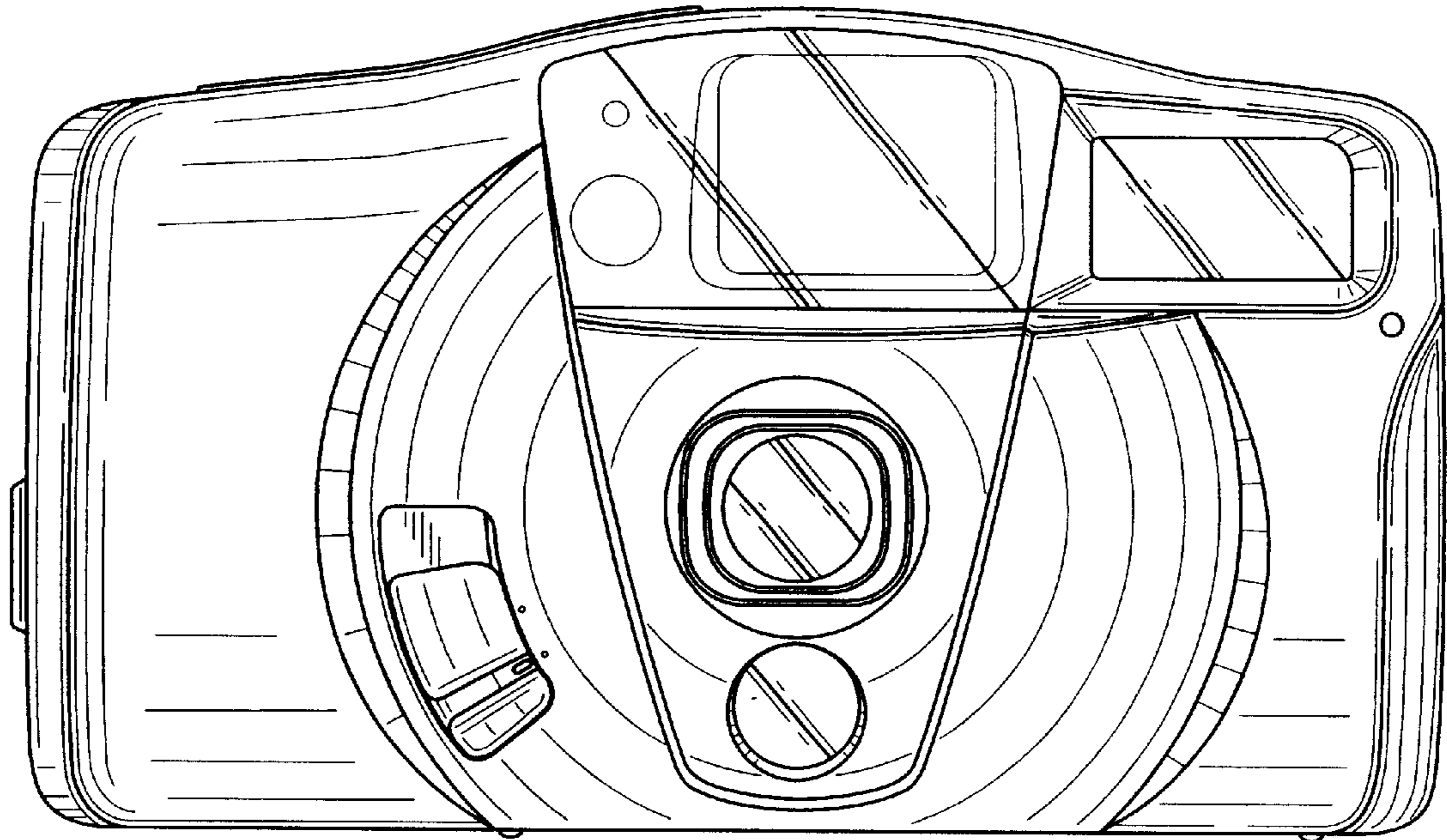


FIG. 2

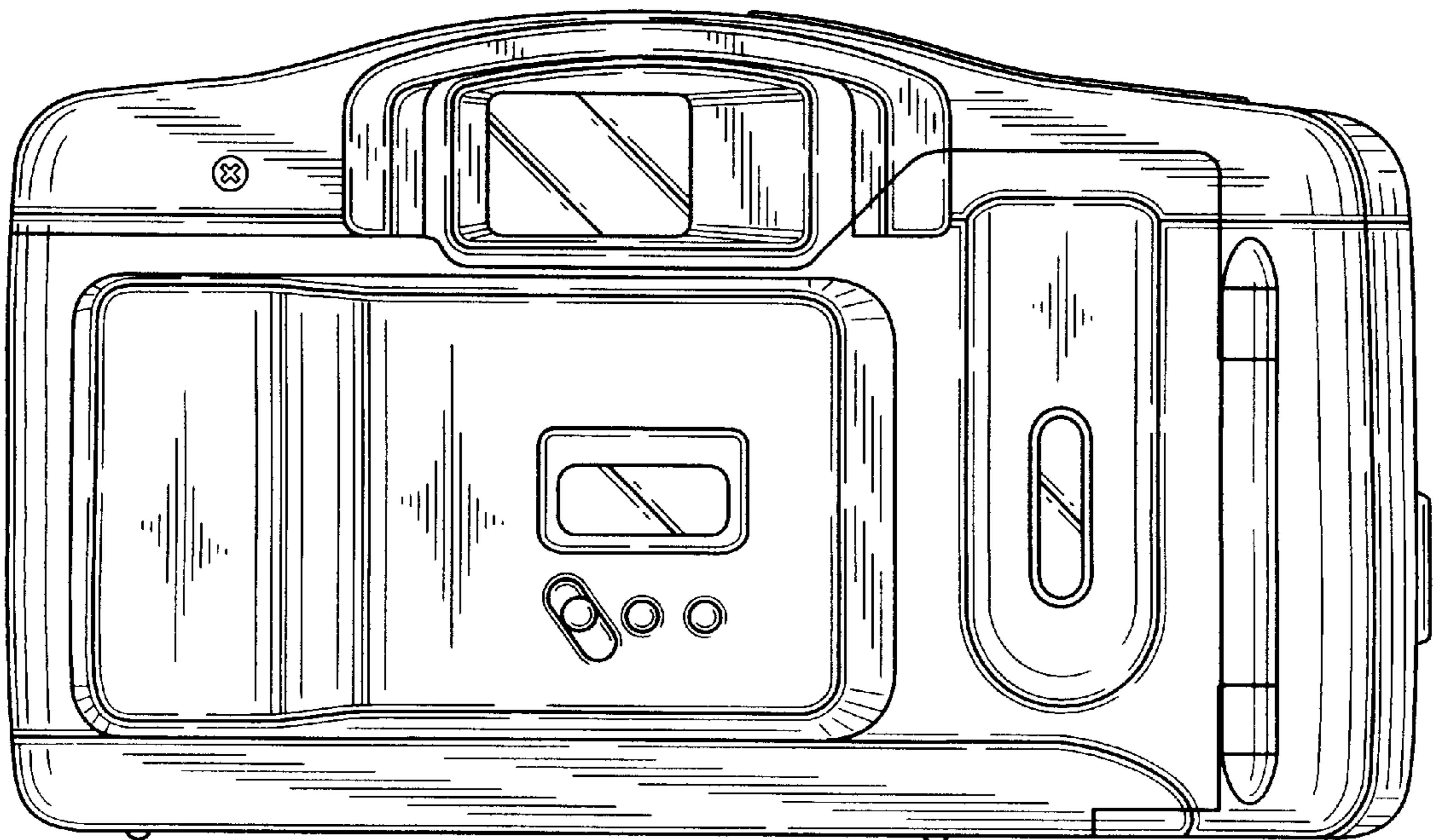


FIG. 3

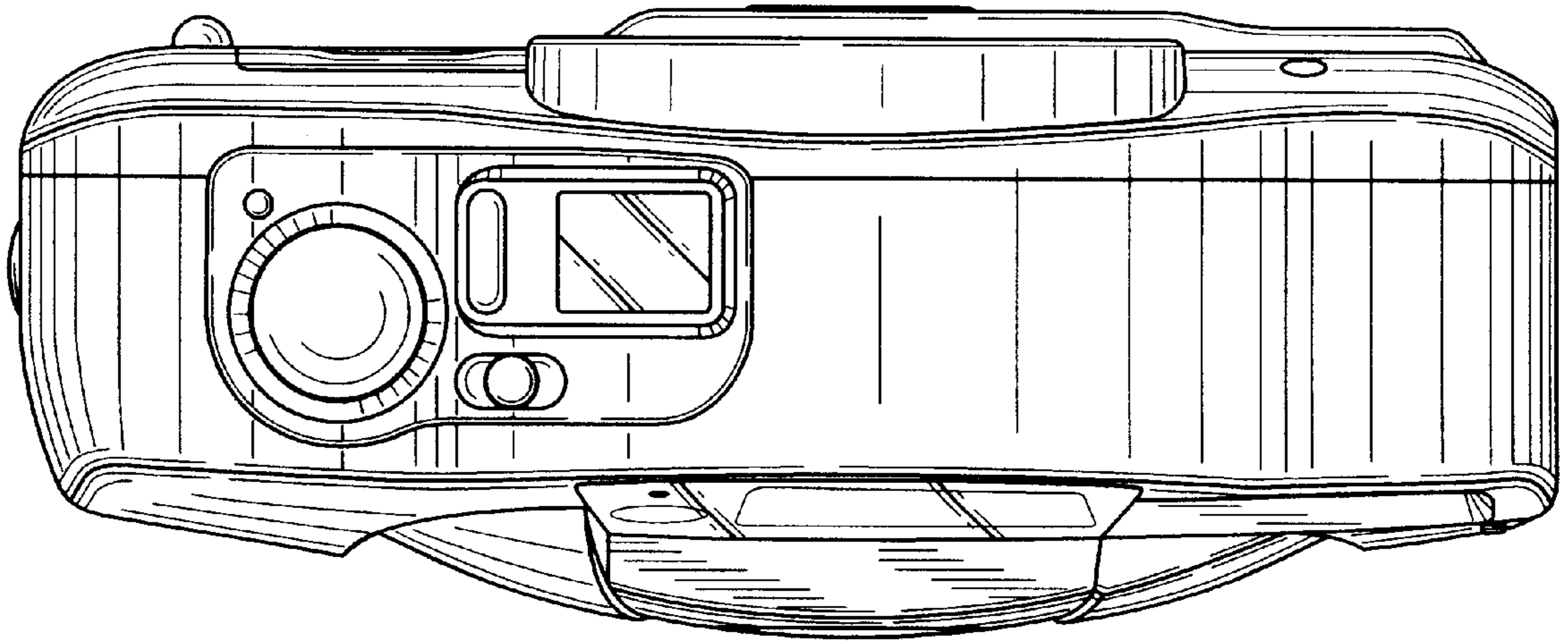


FIG. 4

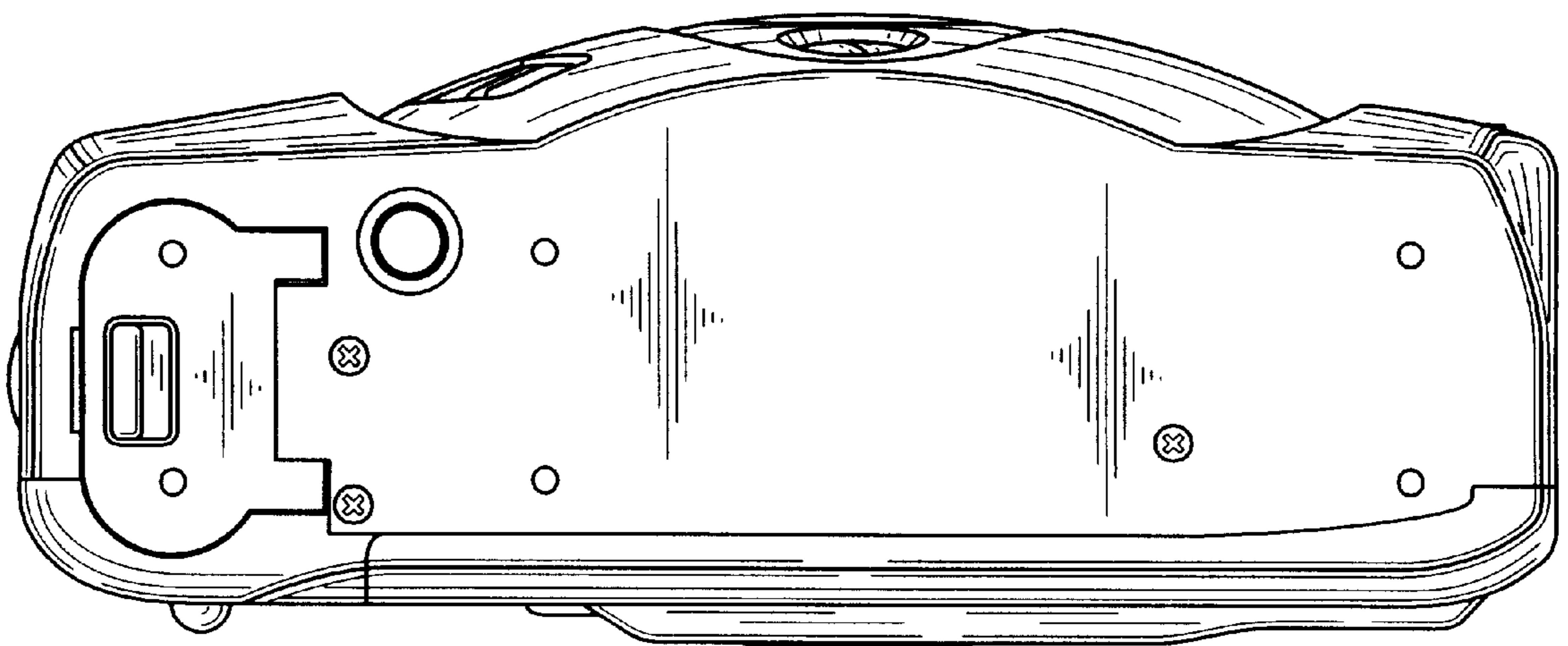


FIG. 5

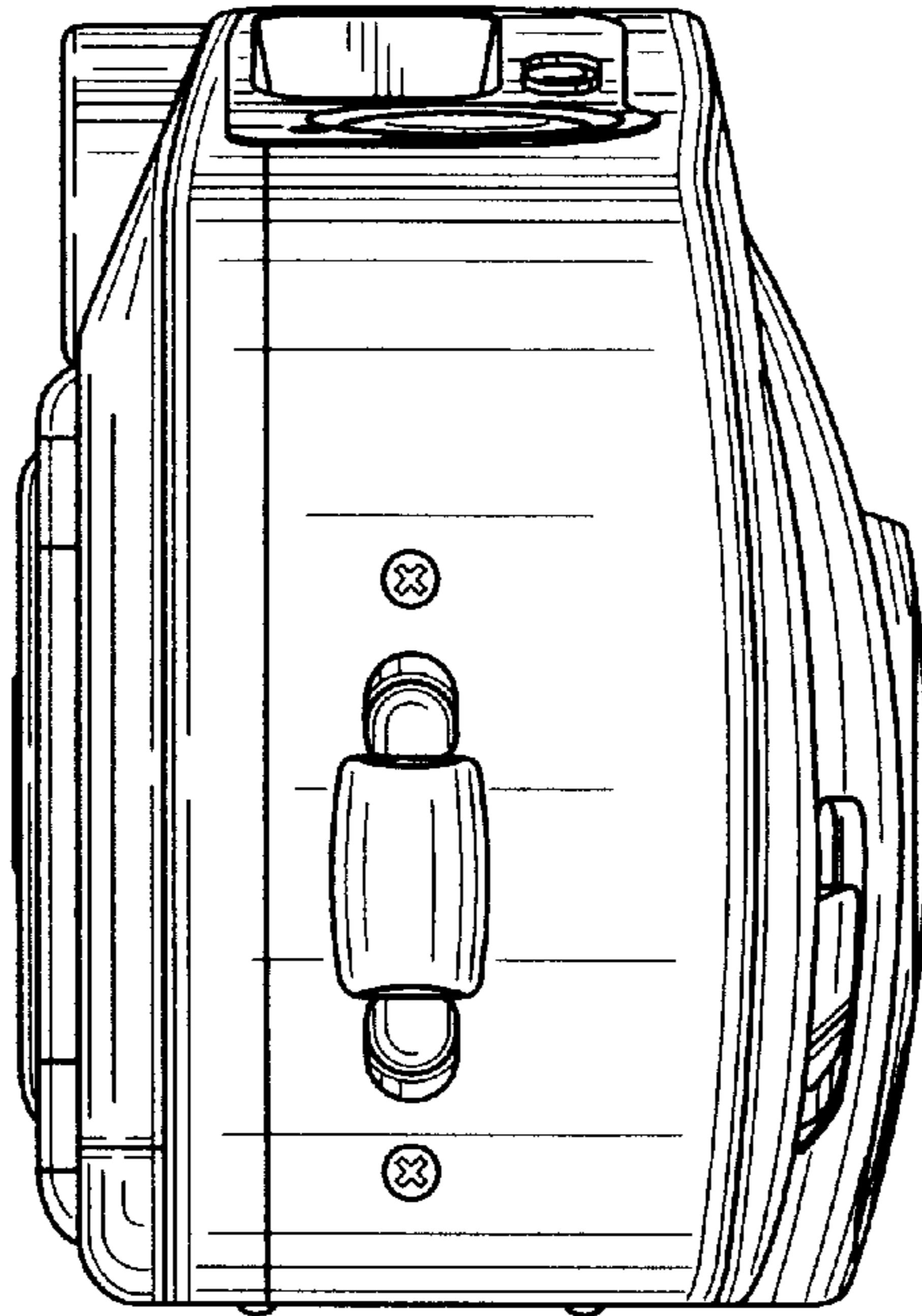


FIG. 6

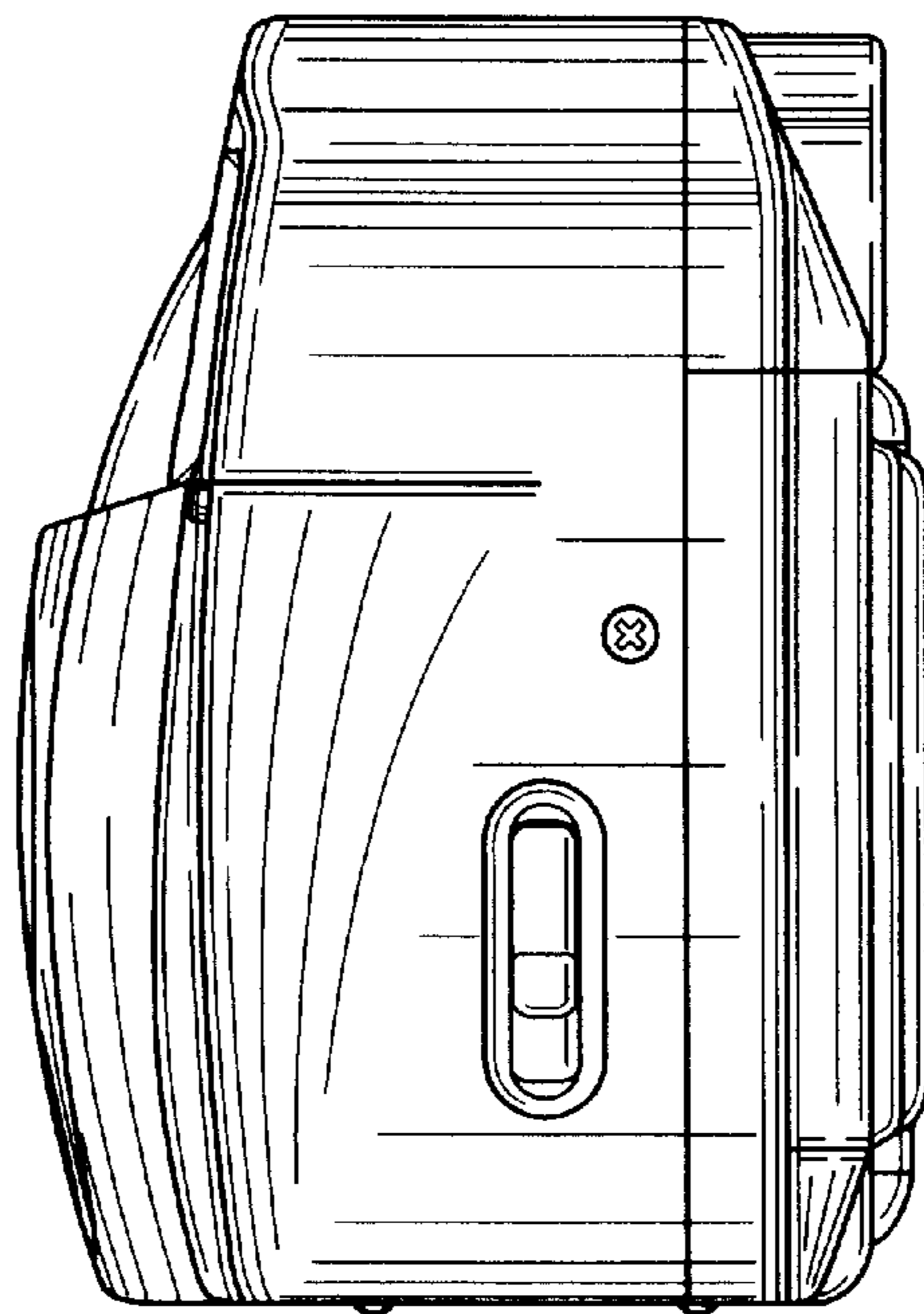


FIG. 7

