



US00D448785B1

(12) **United States Design Patent**  
**Chou**

(10) **Patent No.:** **US D448,785 S**

(45) **Date of Patent:** **\*\* Oct. 2, 2001**

(54) **DIGITAL CAMERA**

(75) **Inventor:** **Kueitang Chou, Pingjen (TW)**

(73) **Assignee:** **Norm Pacific Automation Corp.,  
Hsinchu Hsien (TW)**

(\*\*) **Term:** **14 Years**

(21) **Appl. No.:** **29/136,123**

(22) **Filed:** **Jan. 26, 2001**

(51) **LOC (7) Cl.** ..... **16-01**

(52) **U.S. Cl.** ..... **D16/202**

(58) **Field of Search** ..... **D16/200-205,  
D16/208, 209, 217, 218; 348/373-376;  
396/176, 535-541**

(56) **References Cited**

**U.S. PATENT DOCUMENTS**

- D. 384,964 \* 10/1997 Ito et al. .... D16/202
- D. 389,500 \* 1/1998 Krekelberg ..... D16/202
- D. 394,668 \* 5/1998 Iino ..... D16/202

- D. 401,257 \* 11/1998 Iino ..... D16/202
- D. 412,003 \* 7/1999 Sumida et al. .... D16/202
- 5,610,678 \* 3/1997 Tsuboi et al. .... 396/373

\* cited by examiner

*Primary Examiner*—Adir Aronovich

(74) *Attorney, Agent, or Firm*—Rosenberg, Klein & Lee

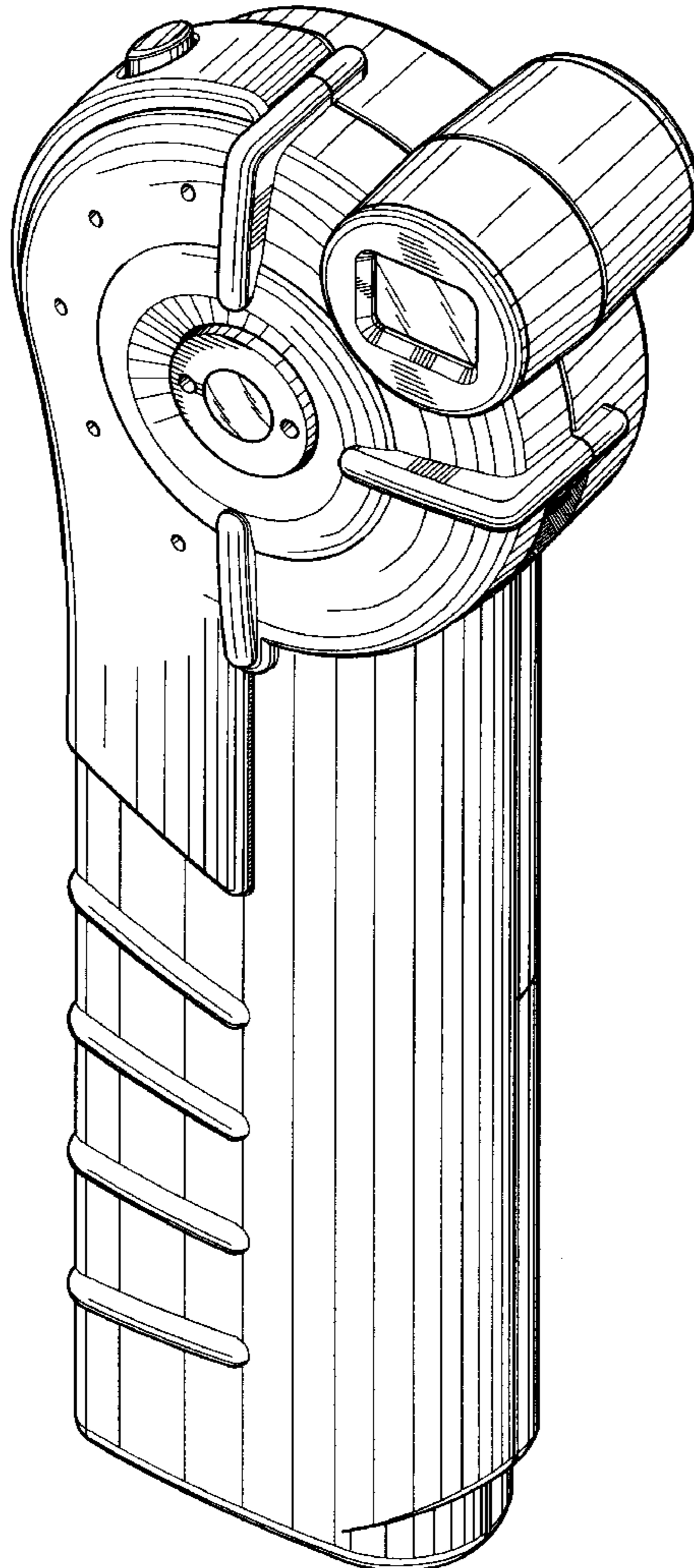
(57) **CLAIM**

The ornamental design for a digital camera, as shown and described.

**DESCRIPTION**

FIG. 1 is a perspective view of a digital camera showing my present design;  
 FIG. 2 is a front view thereof;  
 FIG. 3 is a rear view thereof;  
 FIG. 4 is a left view thereof;  
 FIG. 5 is a right view thereof;  
 FIG. 6 is a top plan view thereof; and,  
 FIG. 7 is a bottom plan view.

**1 Claim, 4 Drawing Sheets**



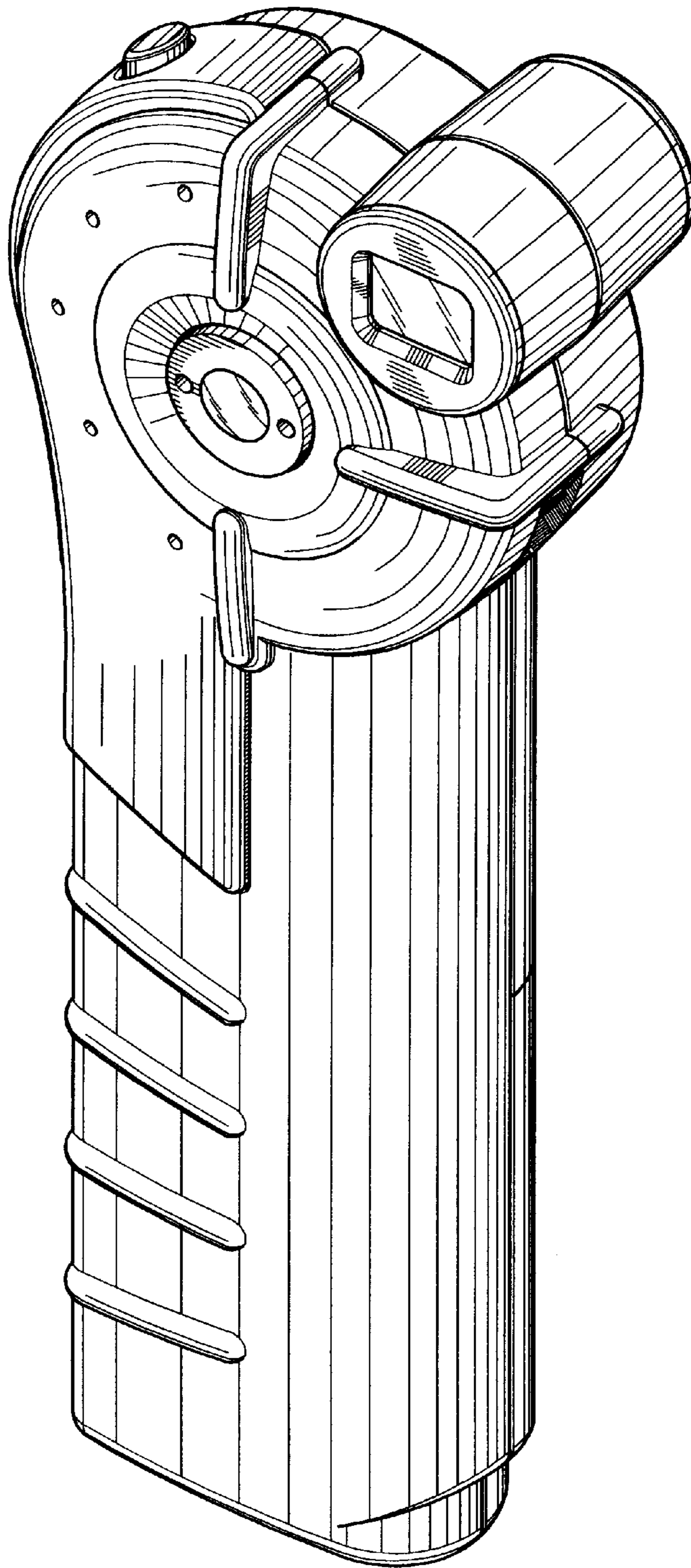


FIG. 1

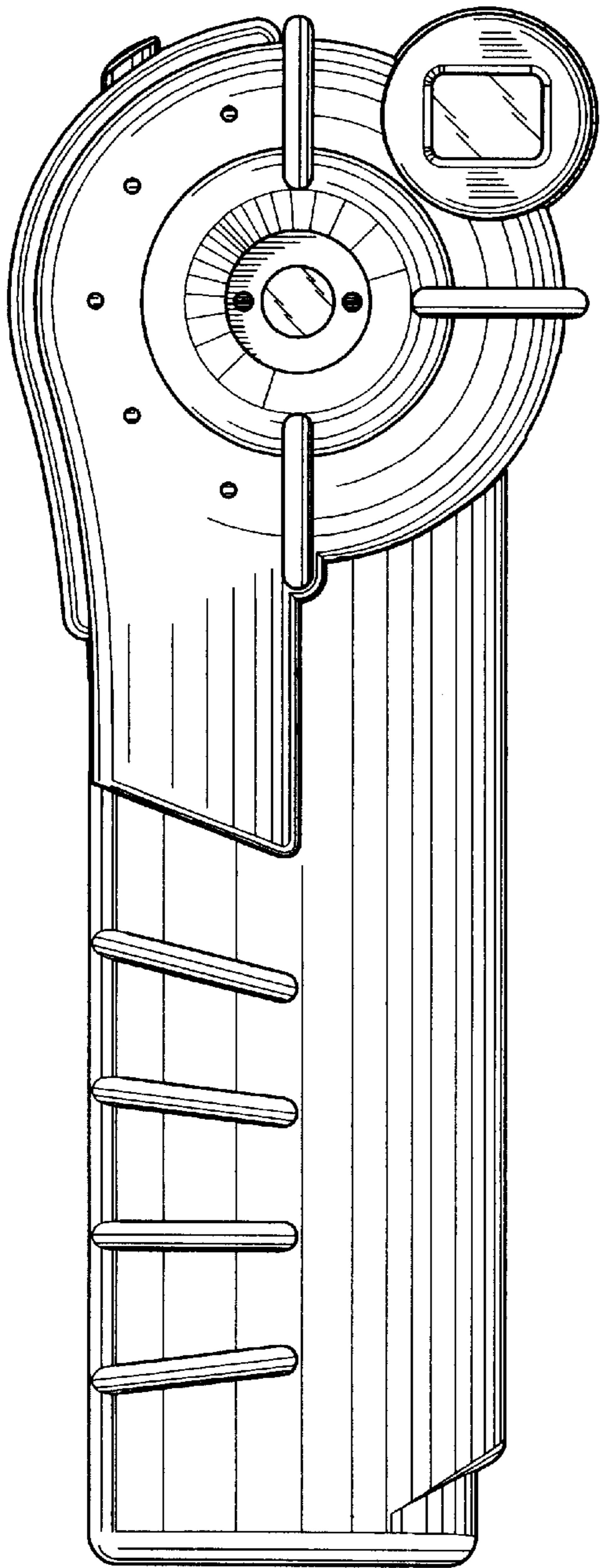


FIG. 2

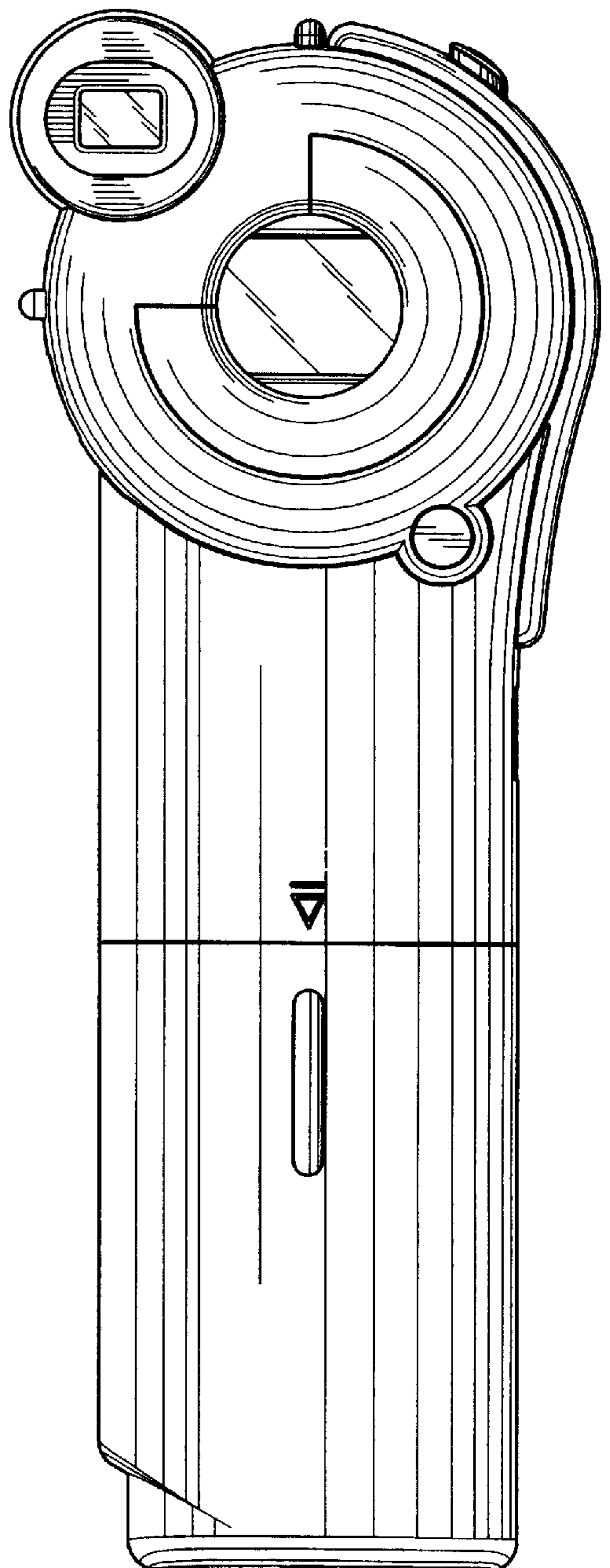


FIG. 3

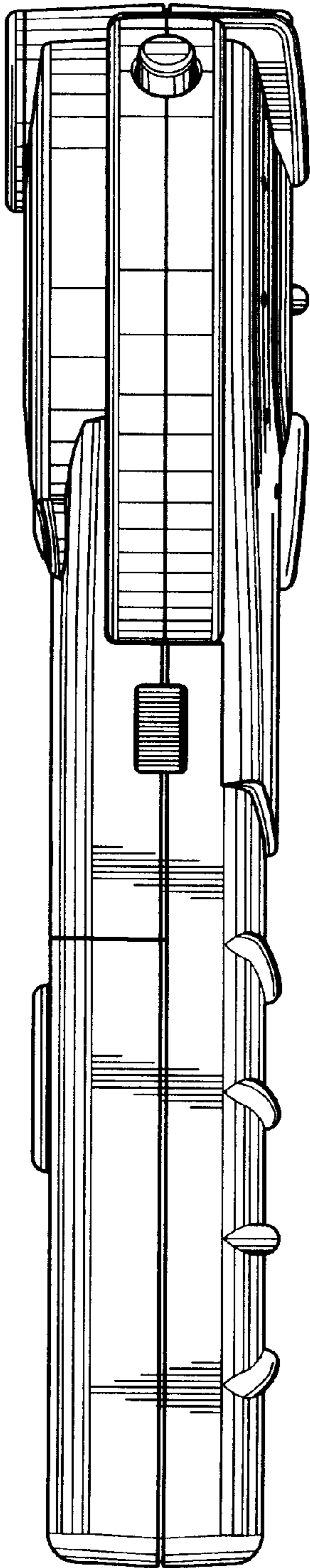


FIG. 4

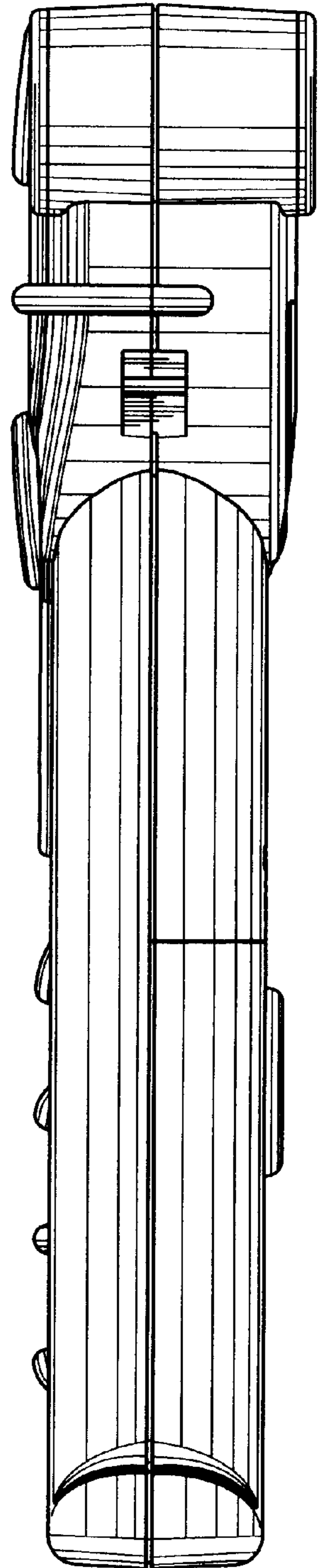


FIG. 5

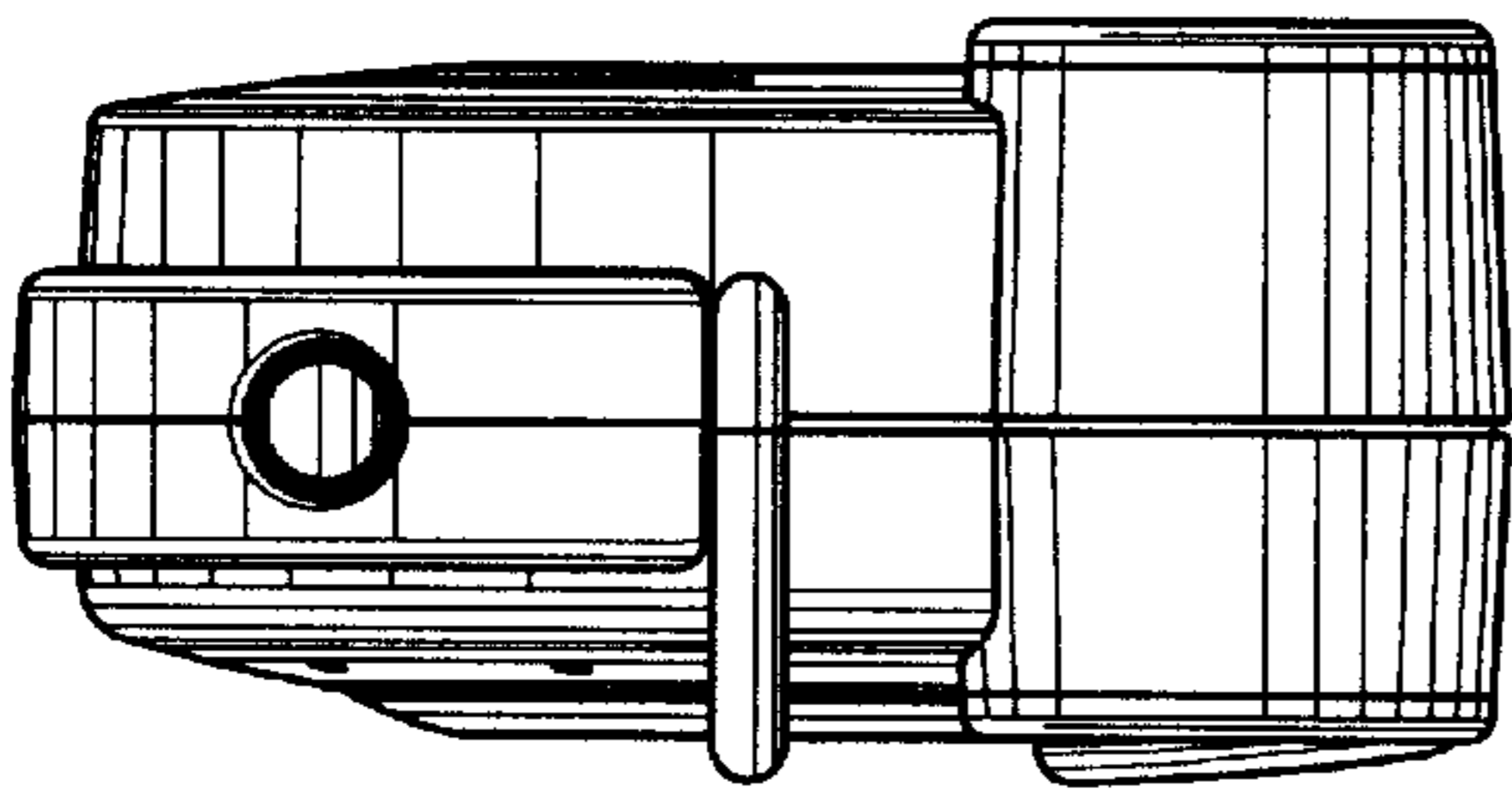


FIG. 6

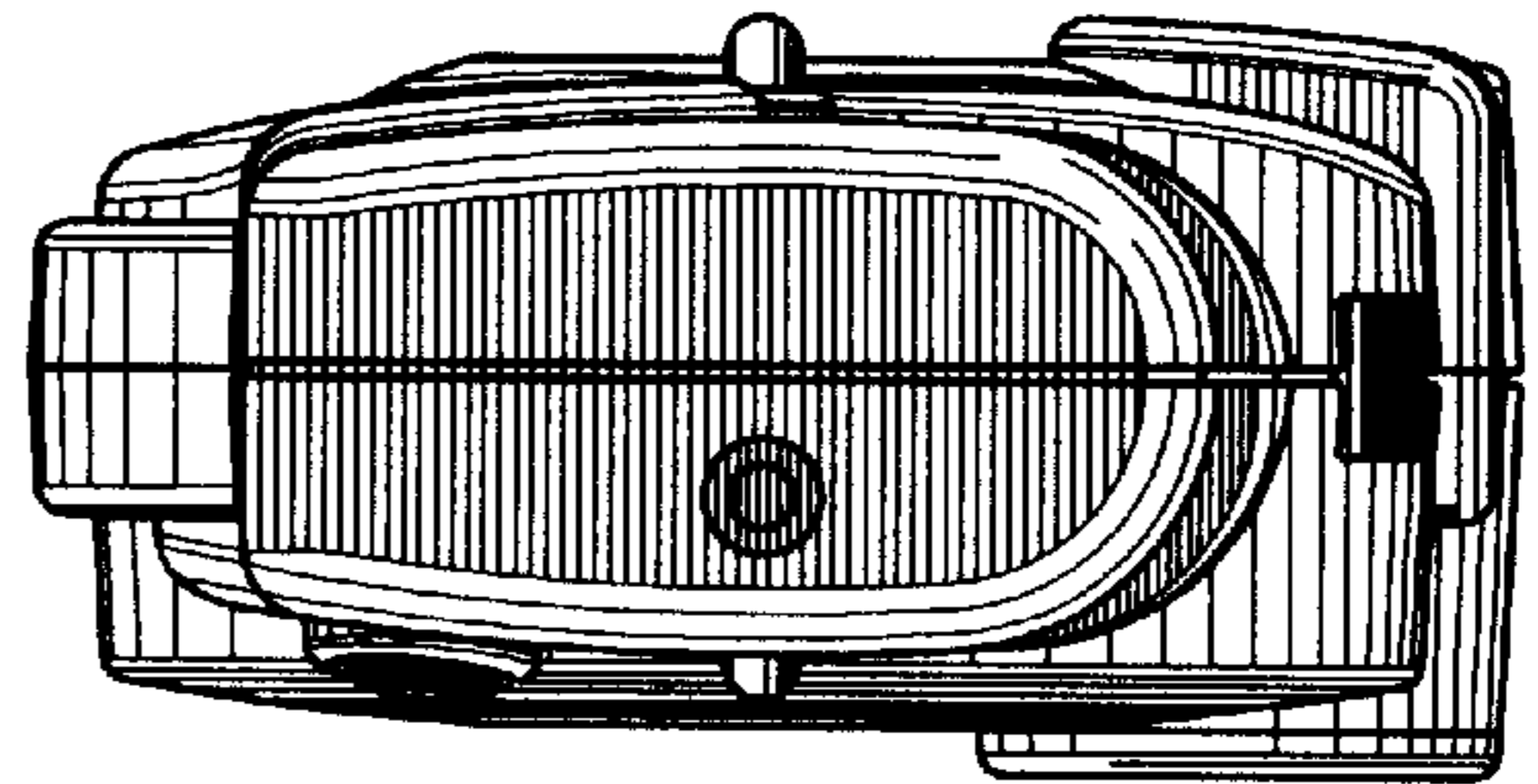


FIG. 7