



US00D448783B1

(12) **United States Design Patent**
Suzuki

(10) **Patent No.:** **US D448,783 S**

(45) **Date of Patent:** **** Oct. 2, 2001**

(54) **VIDEO CAMERA**

(75) Inventor: **Akio Suzuki**, Tokyo (JP)
(73) Assignee: **Sony Corporation**, Tokyo (JP)
(**) Term: **14 Years**

(21) Appl. No.: **29/128,397**
(22) Filed: **Aug. 24, 2000**

(51) **LOC (7) Cl.** **16-01**
(52) **U.S. Cl.** **D16/202**
(58) **Field of Search** **D16/200-205,**
D16/208; 348/373-376; 352/242, 243; 358/906;
396/535-541

(56) **References Cited**

U.S. PATENT DOCUMENTS

D. 294,570	*	3/1988	Kurokawa et al.	D16/202
D. 368,729	*	4/1996	Choi	D16/202
D. 380,764	*	7/1997	Ishii	D16/202
D. 381,996	*	8/1997	Kobayashi	D16/202
D. 400,900	*	11/1998	Harata	D16/202
D. 404,047	*	1/1999	Ishii	D16/202
D. 409,639		5/1999	Sumita	D16/202
D. 416,928		11/1999	Sumita	D16/202
5,499,052	*	3/1996	Nakanishi et al.	348/373

OTHER PUBLICATIONS

Catalog "88", pp. 5, 7 & 8, Sony, Mar. 1998.
Catalog "93", pp. 7 & 8, Sony, Nov. 1999.

* cited by examiner

Primary Examiner—Adir Aronovich
(74) *Attorney, Agent, or Firm*—Rader, Fishman & Grauer, PLLC

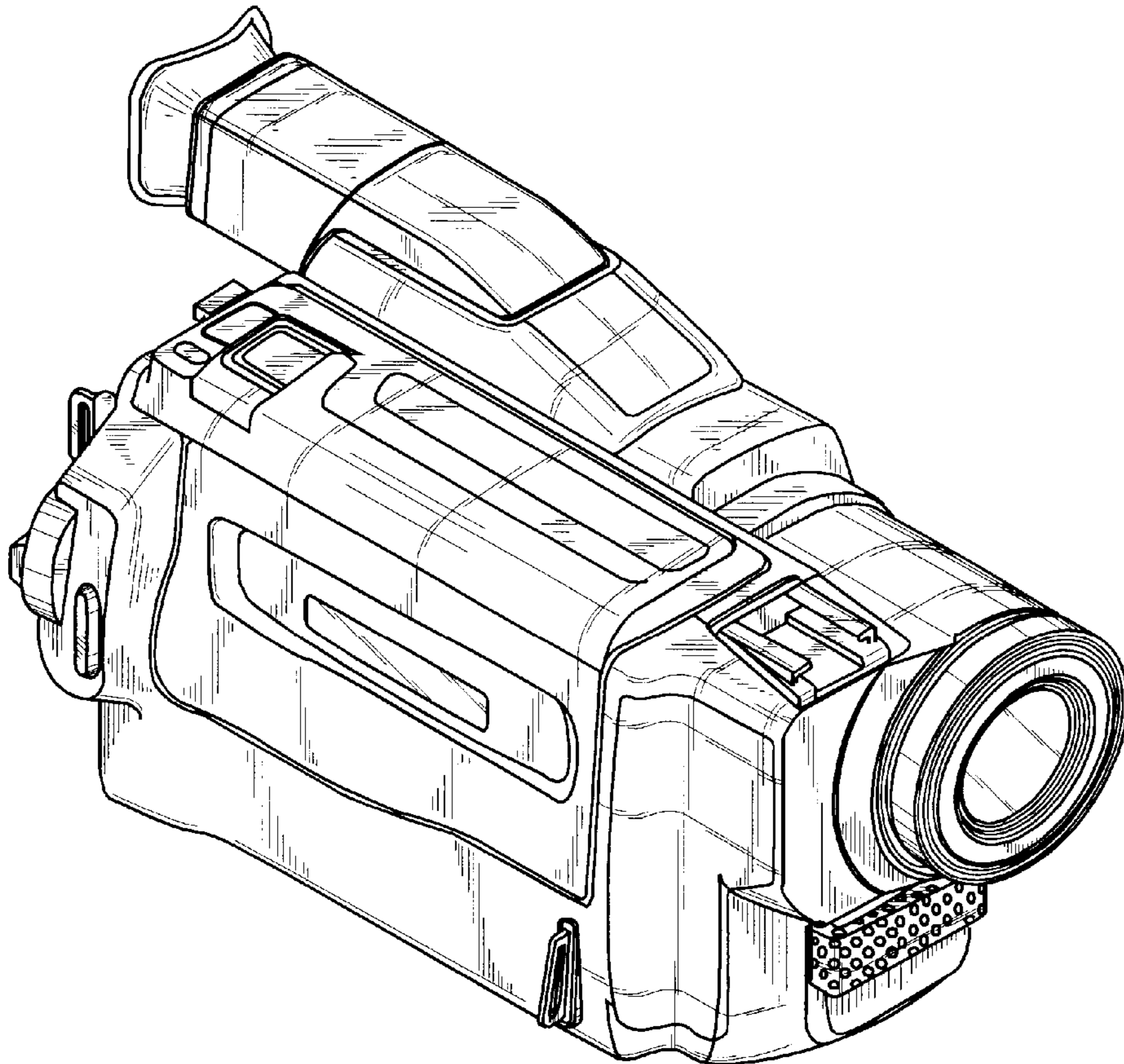
(57) **CLAIM**

The ornamental design for a video camera, as shown and described.

DESCRIPTION

FIG. 1 is a top, front perspective view of a video camera showing my new design;
FIG. 2 is a top plan view thereof;
FIG. 3 is a bottom plan view thereof;
FIG. 4 is a left side elevational view thereof;
FIG. 5 is a right side elevational view thereof;
FIG. 6 is a front elevational view thereof; and
FIG. 7 is a rear elevational view thereof; and,
FIG. 8 is a rear elevational view of a second embodiment of a video camera showing my new design. The rest of the views thereof being the same as those disclosed in the first embodiment.

1 Claim, 5 Drawing Sheets



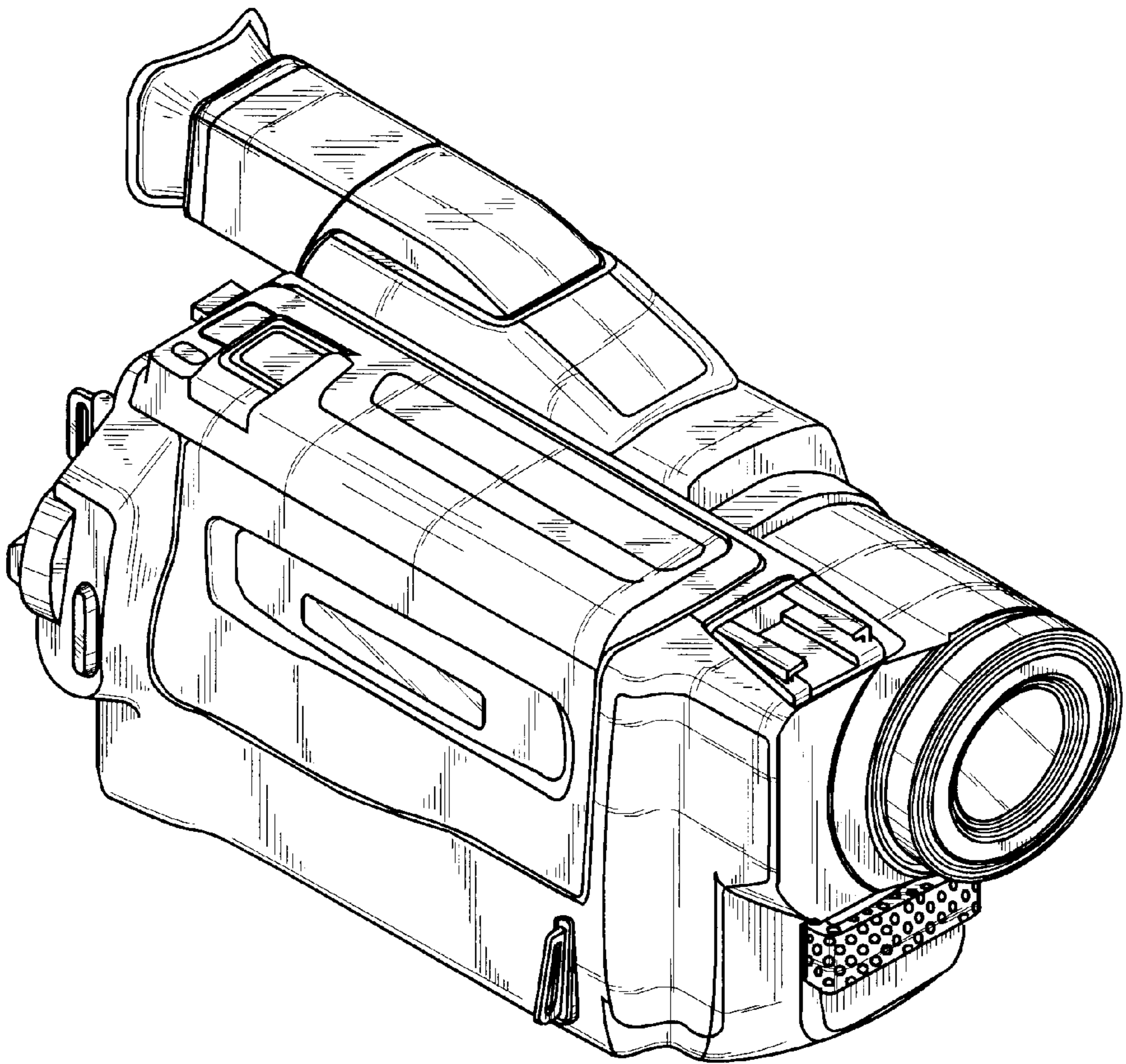


Fig. 1

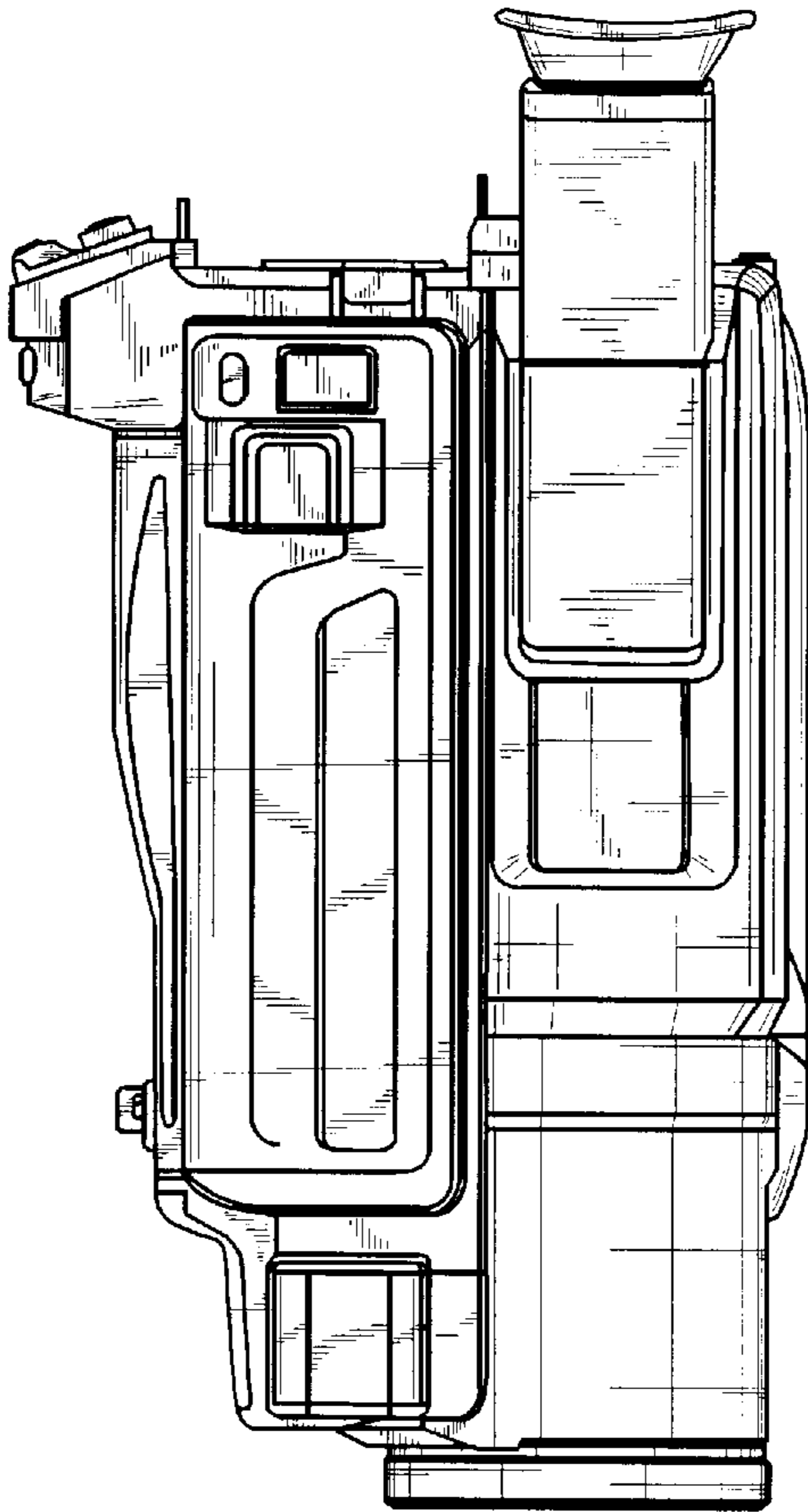


Fig. 2

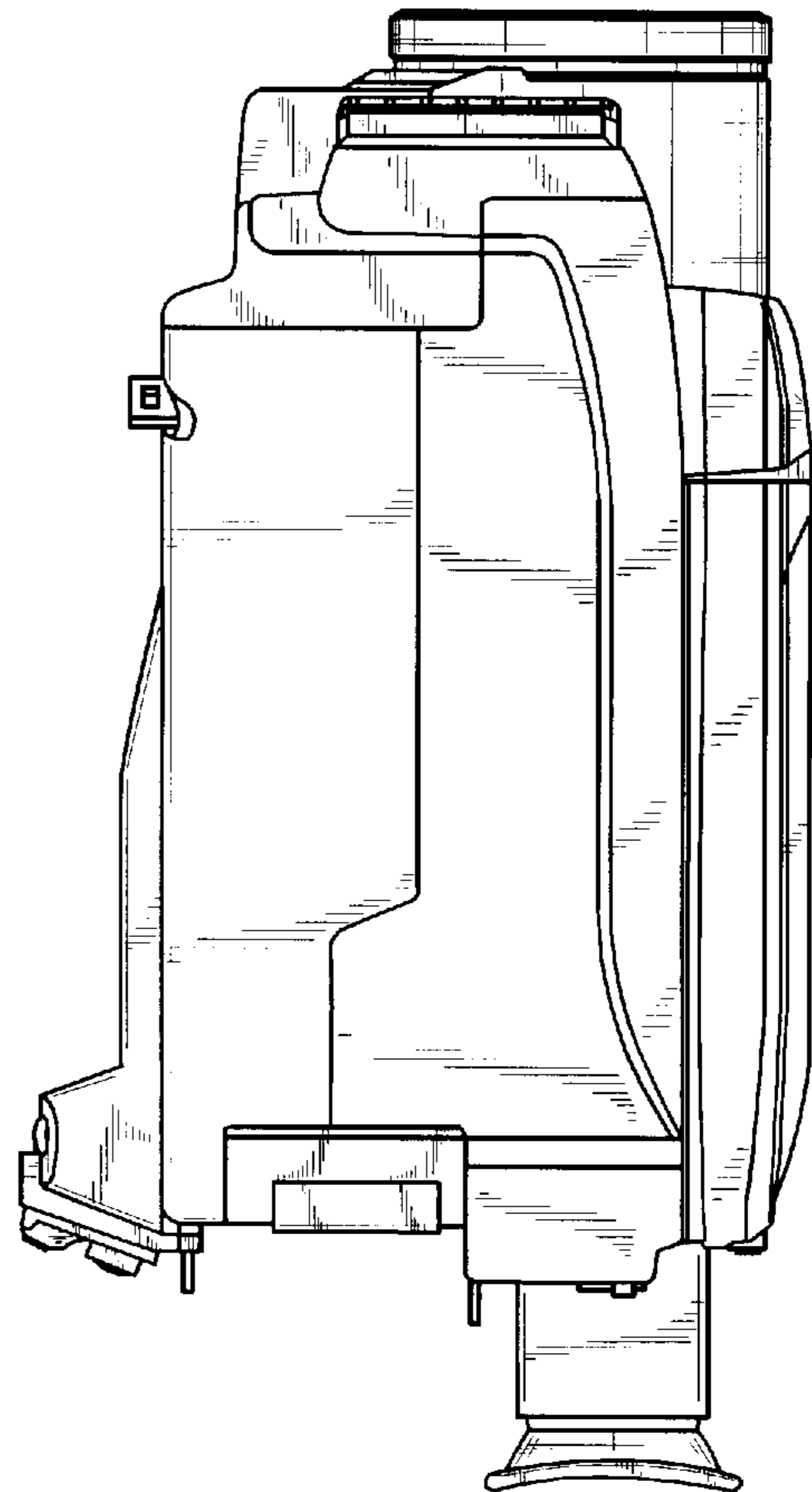


Fig. 3

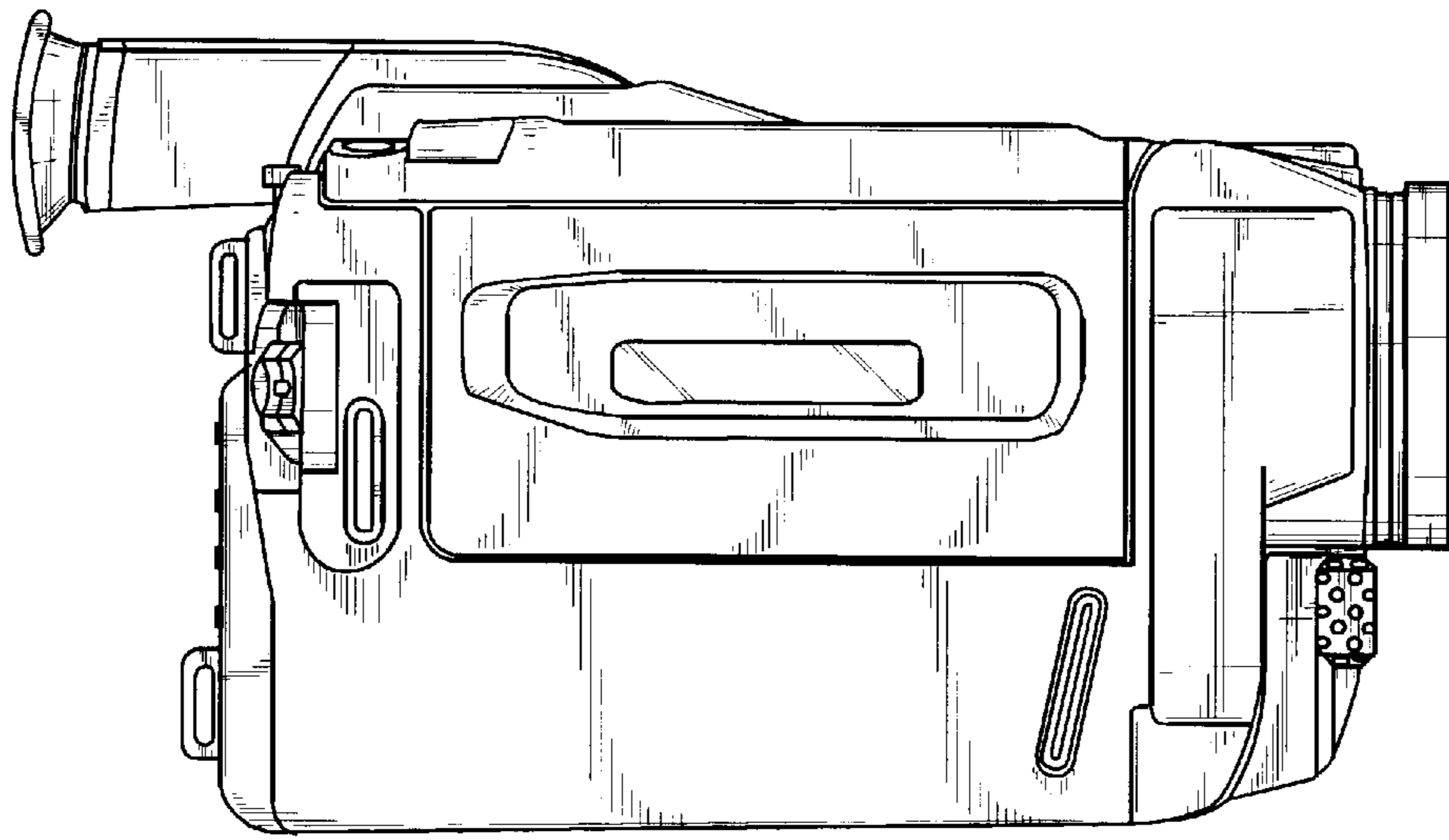


Fig. 4

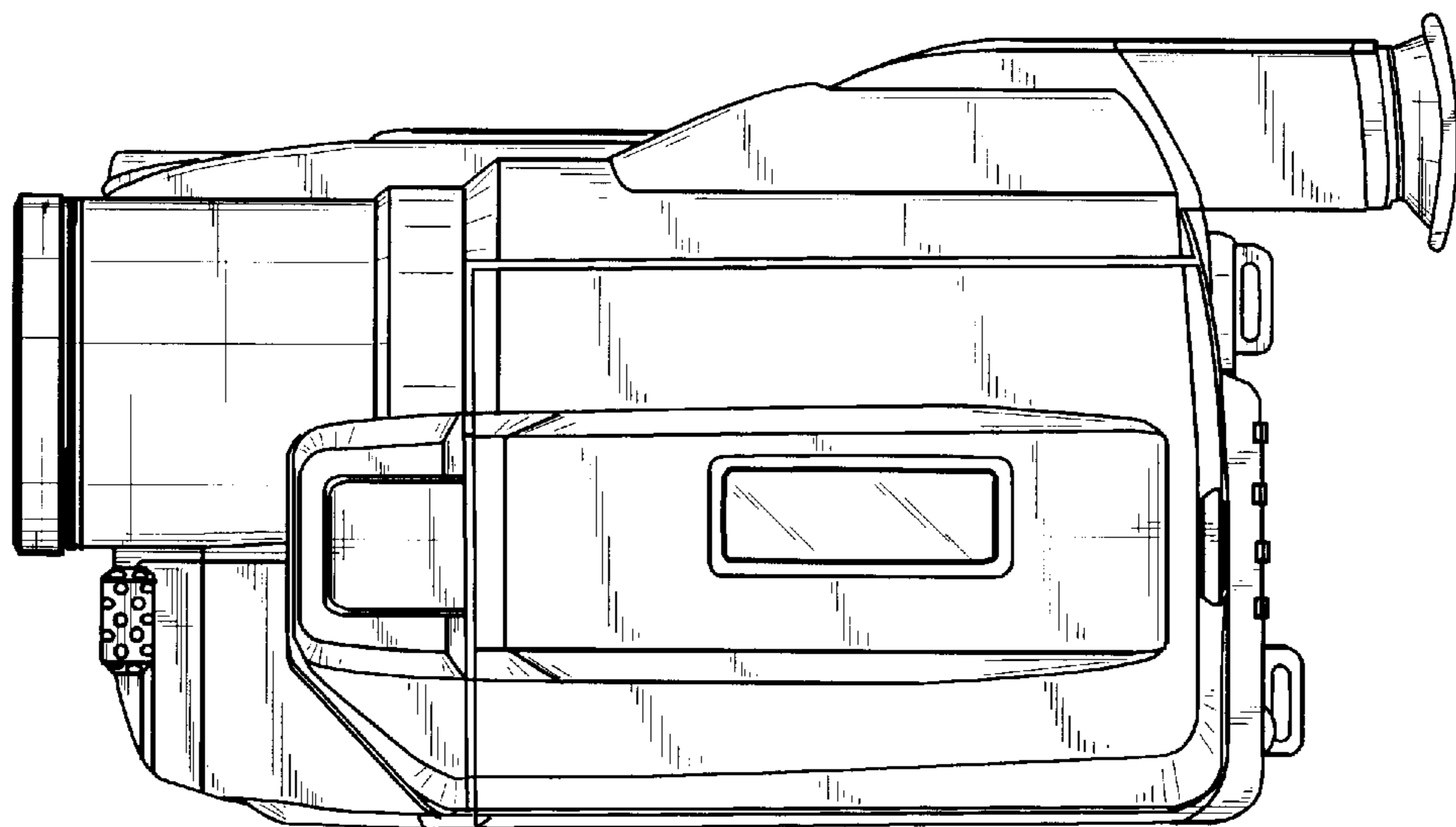


Fig. 5

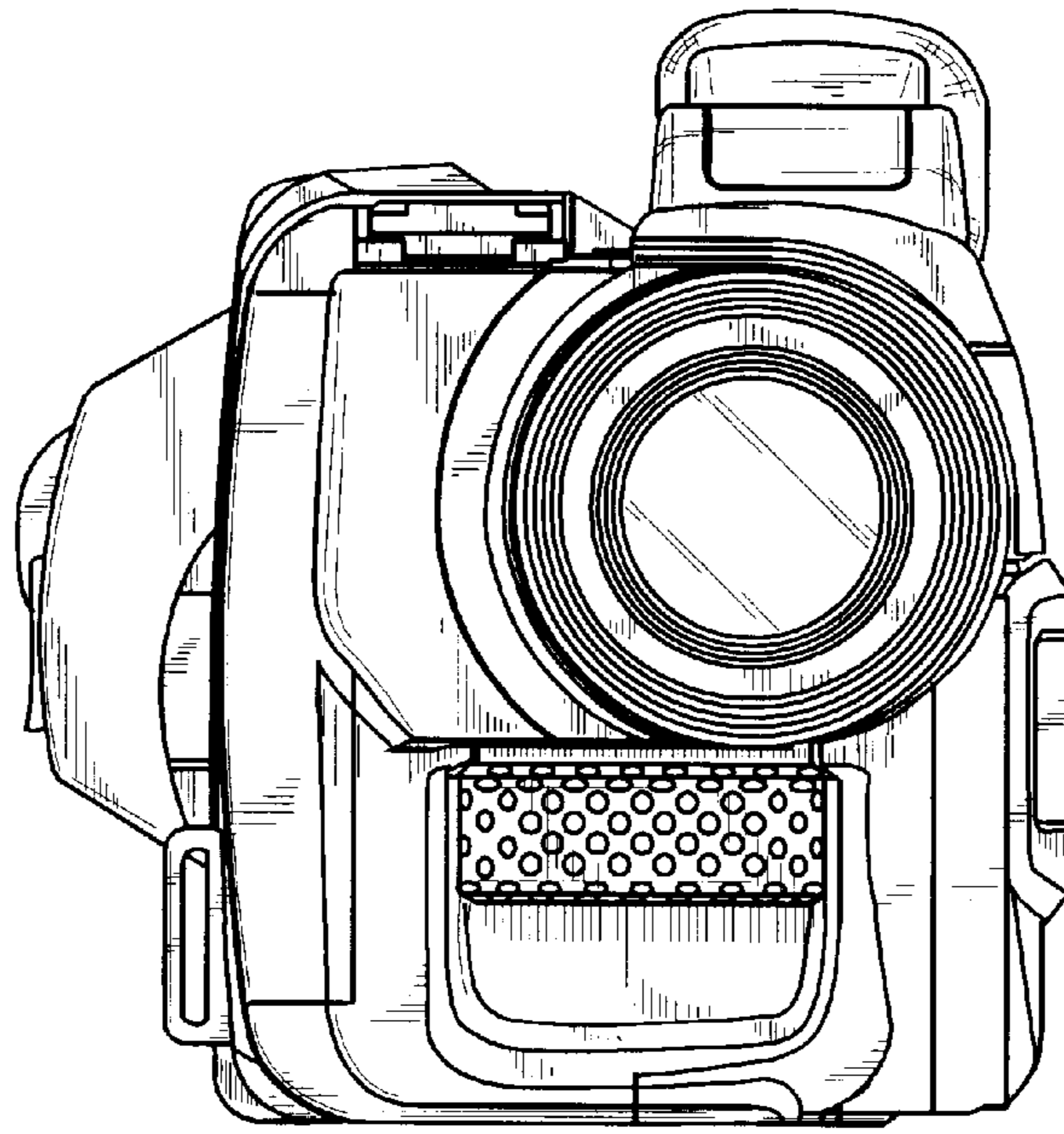


Fig. 6

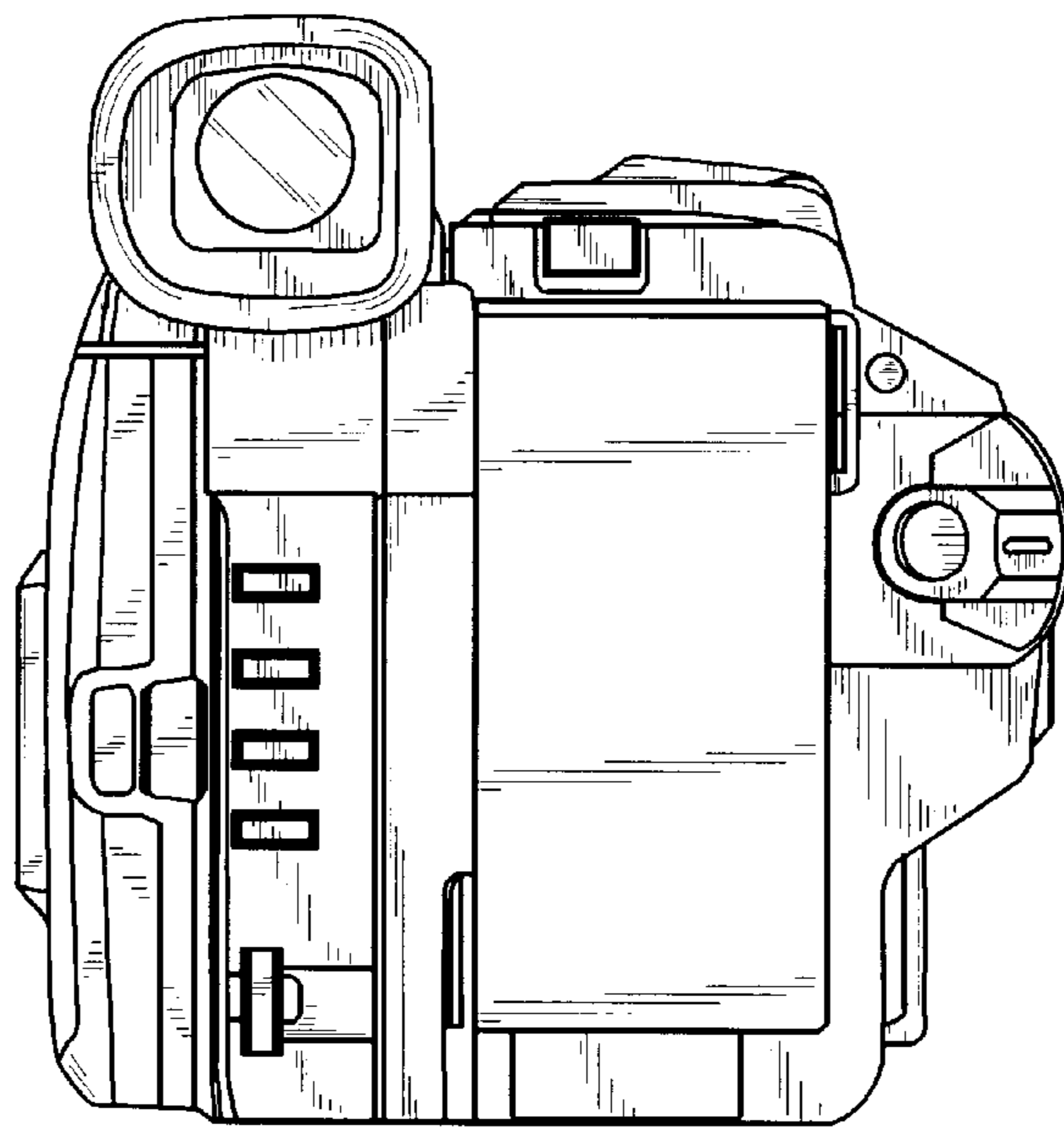


Fig. 7

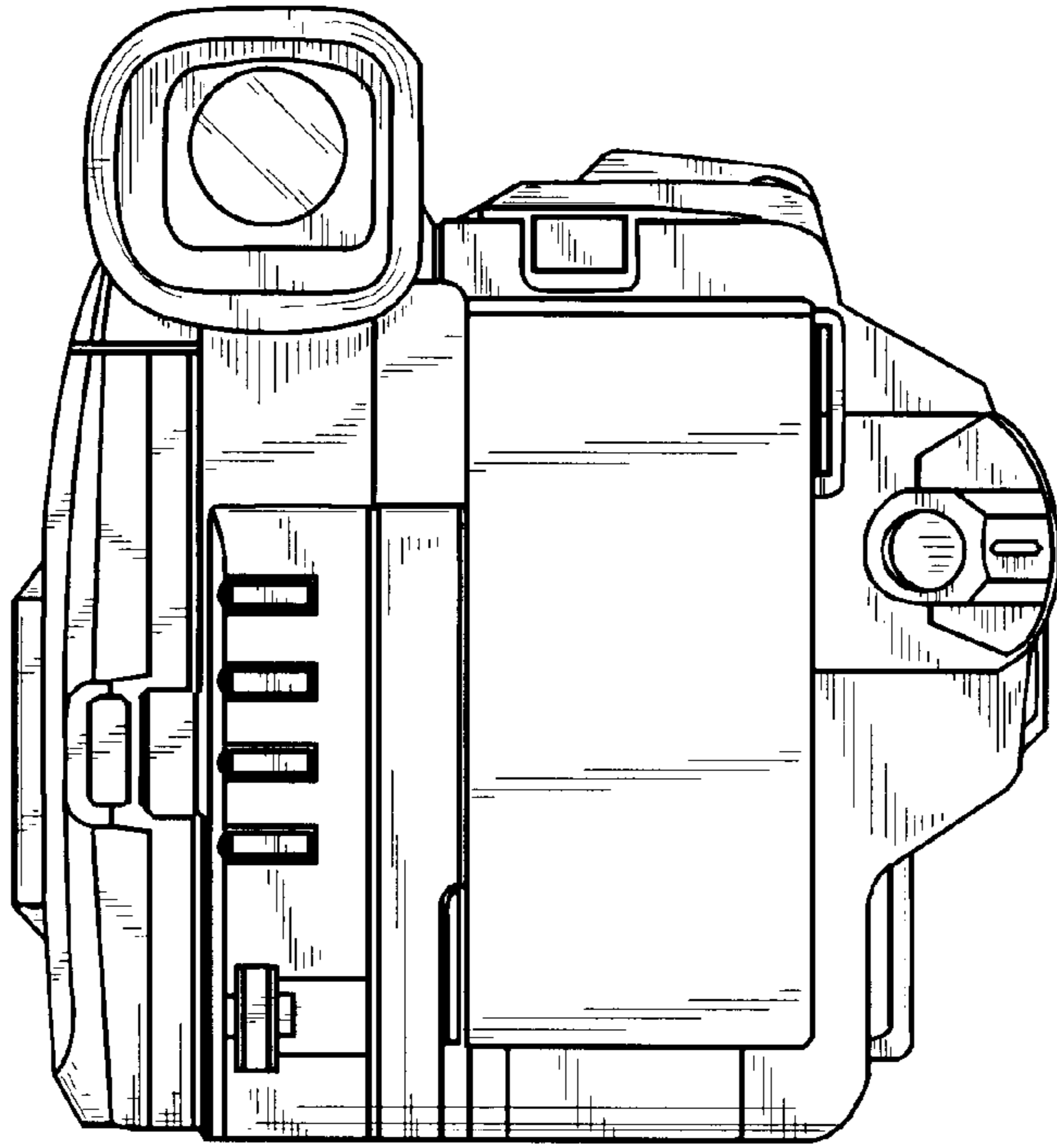


Fig. 8