



US00D448780B1

(12) **United States Design Patent**
Rautio

(10) **Patent No.:** **US D448,780 S**

(45) **Date of Patent:** **** Oct. 2, 2001**

- (54) **CUTTER BIT**
- (75) Inventor: **Kauko Rautio**, Mäntylharju (FI)
- (73) Assignee: **Veisto-Rakenne Rautio Oy**,
Mäntylharju (FI)
- (**) Term: **14 Years**
- (21) Appl. No.: **29/132,259**
- (22) Filed: **Nov. 7, 2000**
- (30) **Foreign Application Priority Data**
May 12, 2000 (FI) M20000328
- (51) **LOC (7) Cl.** **15-09**
- (52) **U.S. Cl.** **D15/139**
- (58) **Field of Search** D15/139; 299/102-109;
407/41, 46, 49; 144/231, 218, 241; 83/842
- (56) **References Cited**
U.S. PATENT DOCUMENTS
D. 338,477 * 8/1993 Mihic D15/139
D. 381,027 * 7/1997 Mihic D15/139

3,892,265	*	7/1975	Vanek	144/230
5,042,733	*	8/1991	Hench	144/46 X
5,139,064	*	8/1992	Nunweller	144/241
5,183,089	*	2/1993	Norlander et al.	144/231
5,653,274	*	8/1997	Johnson et al.	144/241 X
5,906,231	*	5/1999	Rautio	144/241

* cited by examiner

Primary Examiner—Antoine Duval Davis

(74) *Attorney, Agent, or Firm*—Kubovcik & Kubovcik

(57) **CLAIM**

The ornamental design for a cutter bit, as shown.

DESCRIPTION

FIG. 1 is a front perspective view showing the front, top and left sides of the cutter bit showing my new design.
 FIG. 2 is a rear perspective view showing the back, top and right sides thereof.
 FIG. 3 is a left-side perspective view showing the back and left sides thereof; and,
 FIG. 4 is a front perspective view showing the bottom, front and left sides thereof.

1 Claim, 4 Drawing Sheets

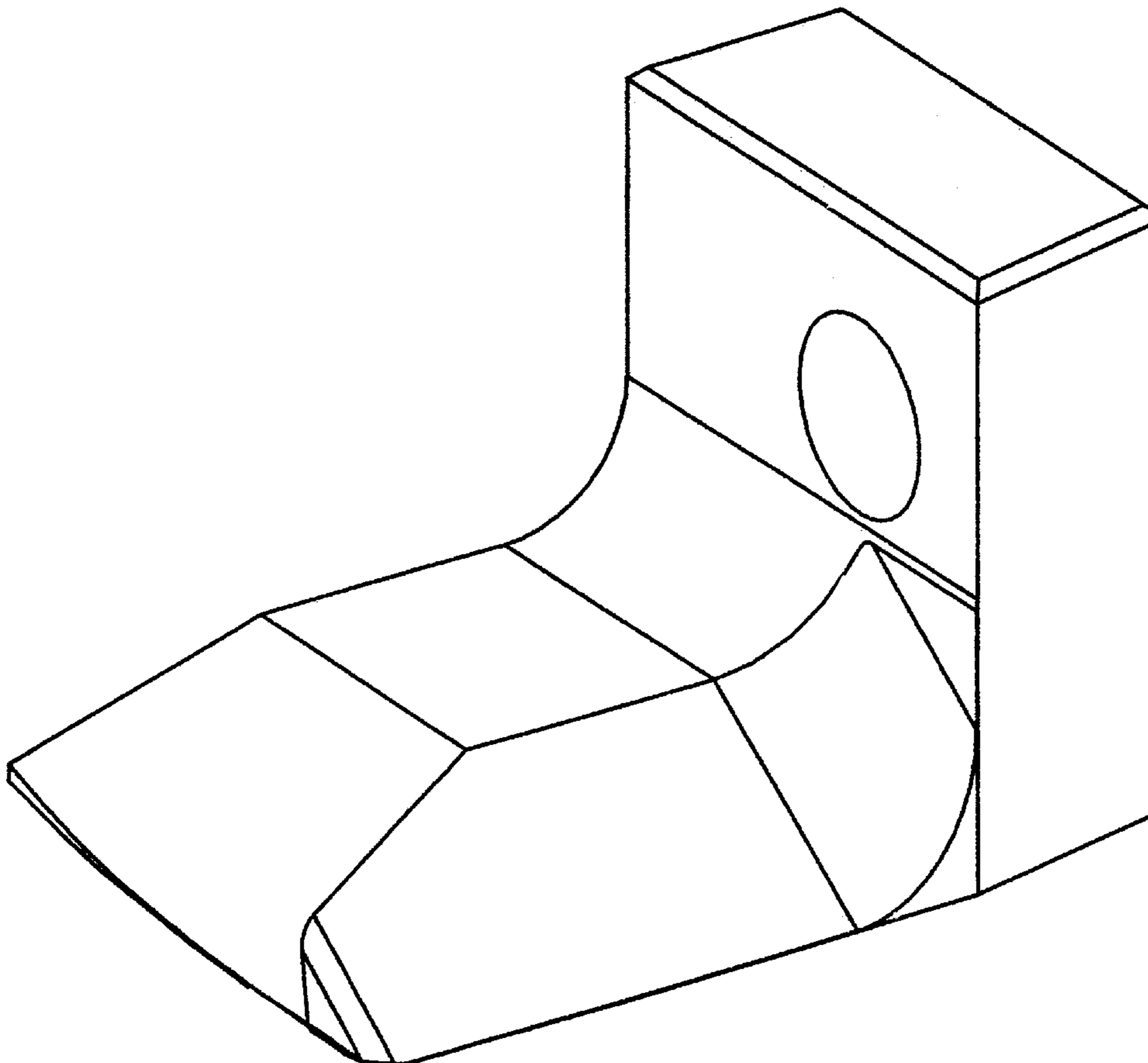


Fig. 1

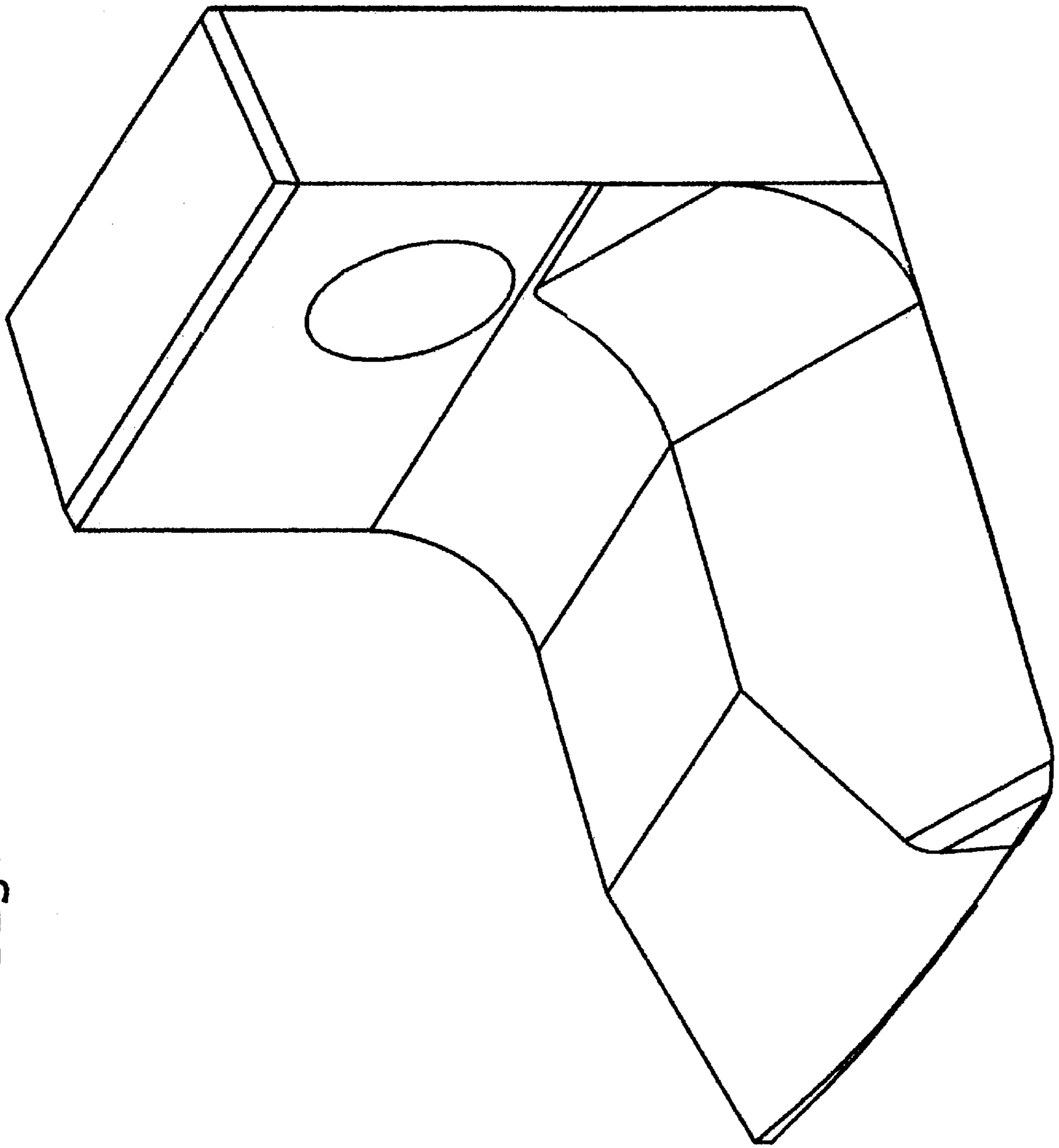
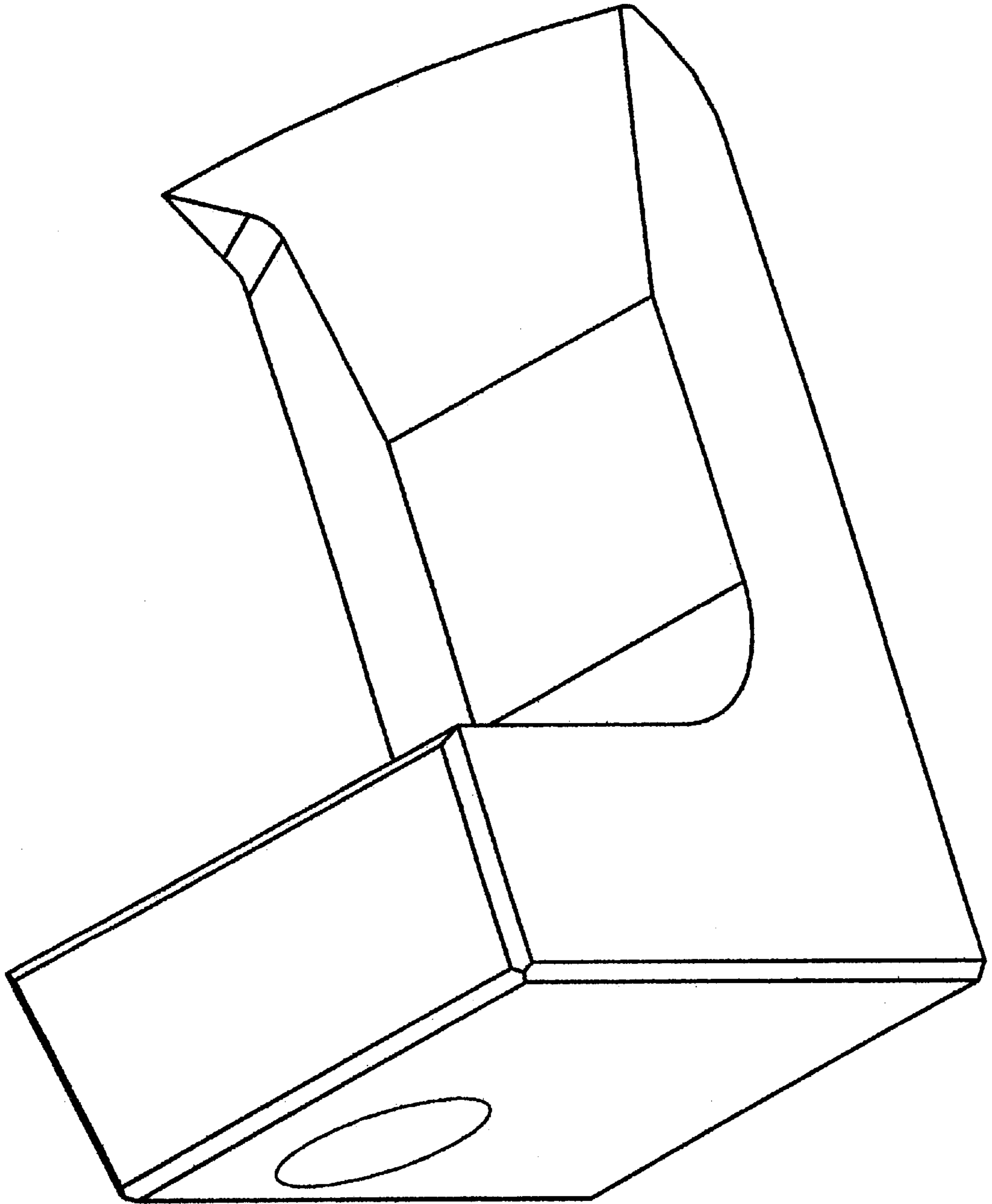


Fig. 2



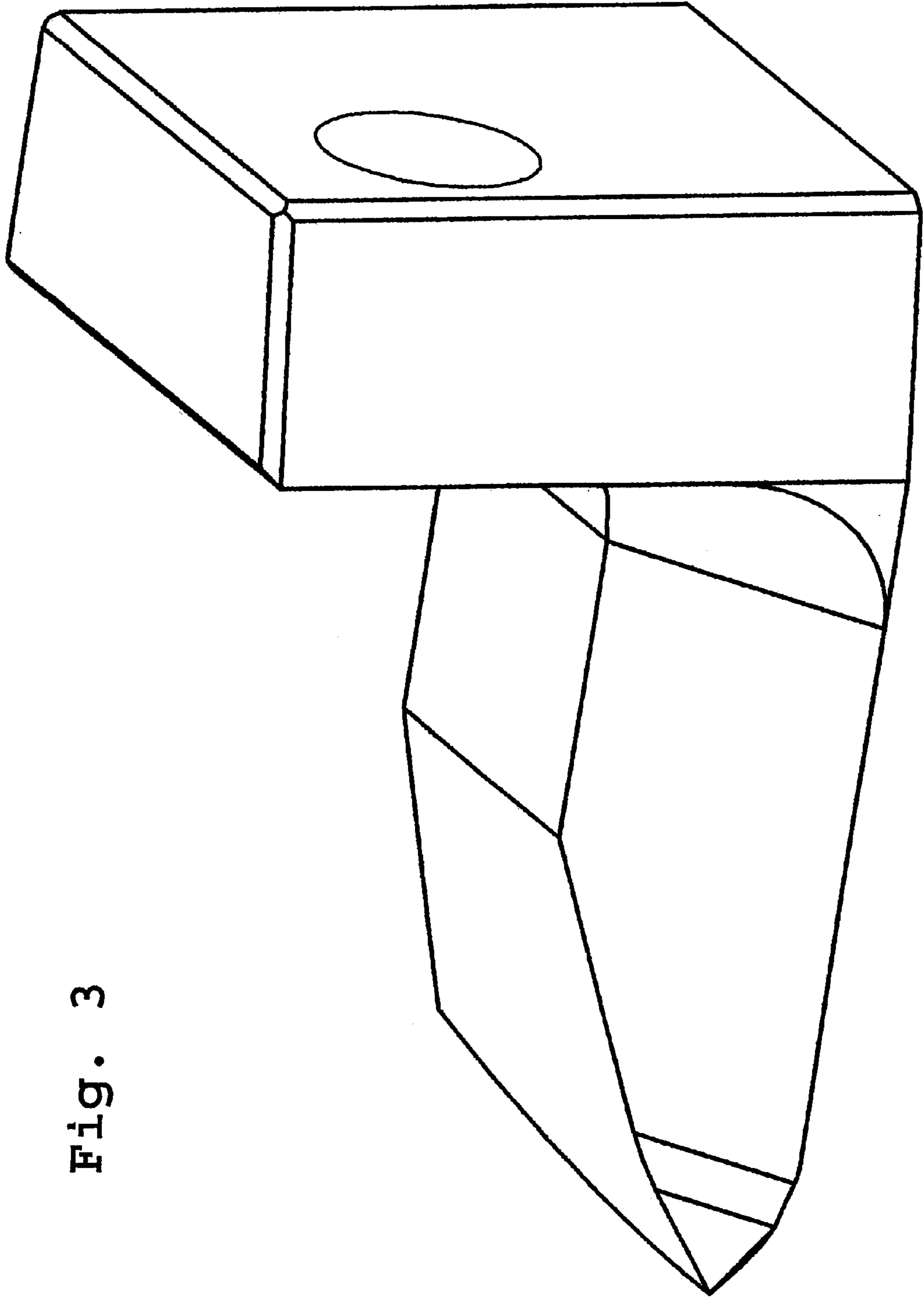


Fig. 3

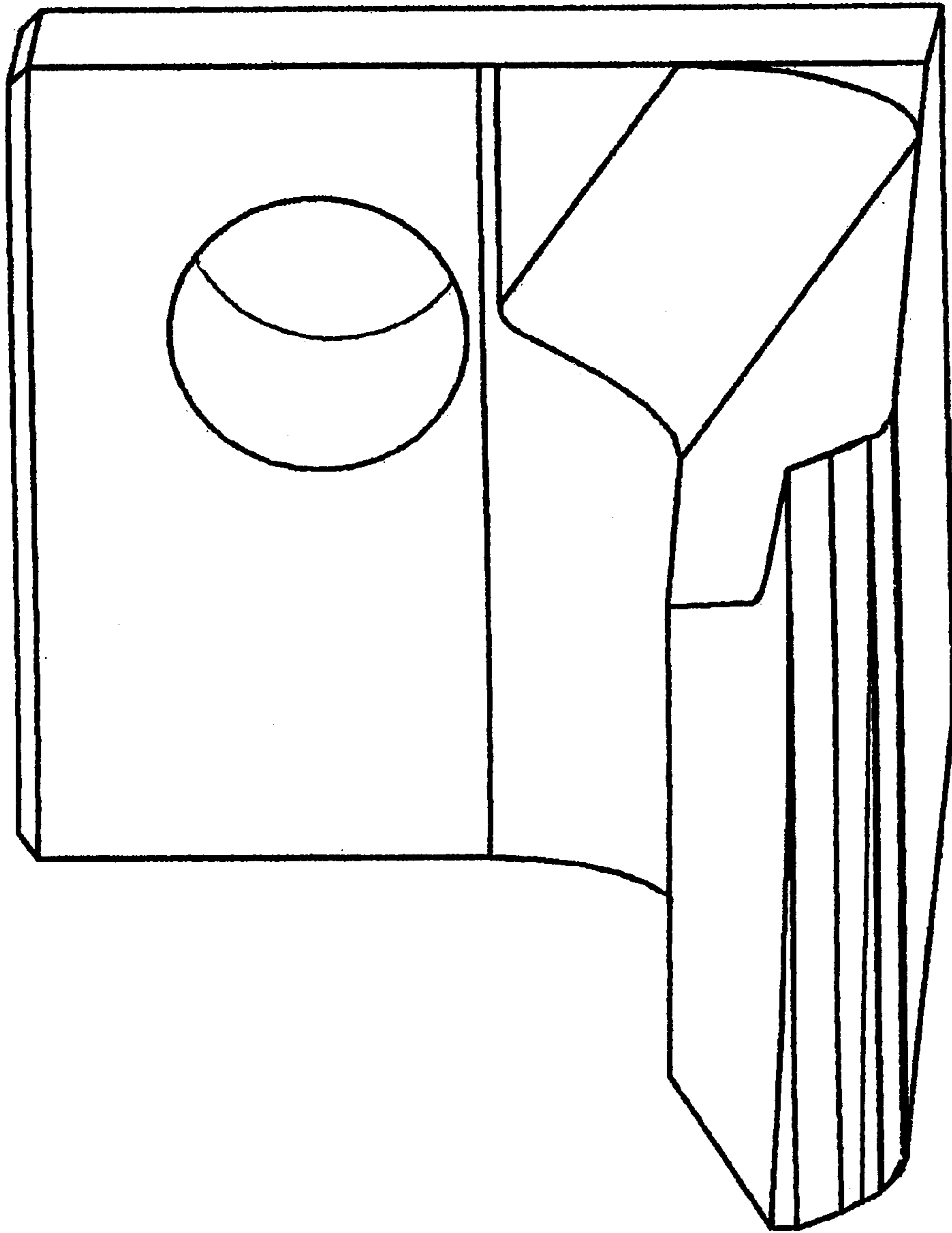


Fig. 4