



US00D448775B1

(12) **United States Design Patent**
Ito et al.

(10) **Patent No.:** **US D448,775 S**

(45) **Date of Patent:** **** Oct. 2, 2001**

(54) **FACSIMILE TRANSMITTER-RECEIVER**

(75) Inventors: **Hitomi Ito**, Tokyo; **Masaki Takahashi**,
Yokohama, both of (JP)

(73) Assignee: **Canon Kabushiki Kaisha**, Tokyo (JP)

(**) Term: **14 Years**

(21) Appl. No.: **29/125,736**

(22) Filed: **Jun. 29, 2000**

(30) **Foreign Application Priority Data**

Jan. 20, 2000 (JP) 12-003643

(51) **LOC (7) Cl.** **16-03**

(52) **U.S. Cl.** **D14/471**

(58) **Field of Search** D14/462-471;
358/400, 401, 435, 442, 305

(56) **References Cited**

U.S. PATENT DOCUMENTS

- D. 312,080 11/1990 Takahashi D14/118
- D. 312,252 11/1990 Nishio et al. D14/118
- D. 315,340 3/1991 Takahashi D14/118
- D. 331,404 * 12/1992 Yoshihara D14/467
- D. 357,677 * 4/1995 Sawada et al. D14/467

- D. 390,842 * 2/1998 Matsushima et al. D14/467
- 5,610,797 * 3/1997 Nakamura 358/400
- 5,798,848 * 8/1998 Ouchi 358/400
- 6,040,919 * 3/2000 Iwata et al. D14/467 X

* cited by examiner

Primary Examiner—Prabhakar Deshmukh

(74) *Attorney, Agent, or Firm*—Fitzpatrick, Cella, Harper & Scinto

(57) **CLAIM**

The ornamental design for a facsimile transmitter-receiver, as shown and described.

DESCRIPTION

FIG. 1 is a front view of a facsimile transmitter-receiver showing our new design;
 FIG. 2 is a rear view thereof;
 FIG. 3 is a top plan view thereof;
 FIG. 4 is a bottom plan view thereof;
 FIG. 5 is a left side view thereof;
 FIG. 6 is a right side view thereof; and,
 FIG. 7 is a perspective view as thereof.
 The broken lines are for illustrative purpose only and forms no part of the claimed design.

1 Claim, 3 Drawing Sheets

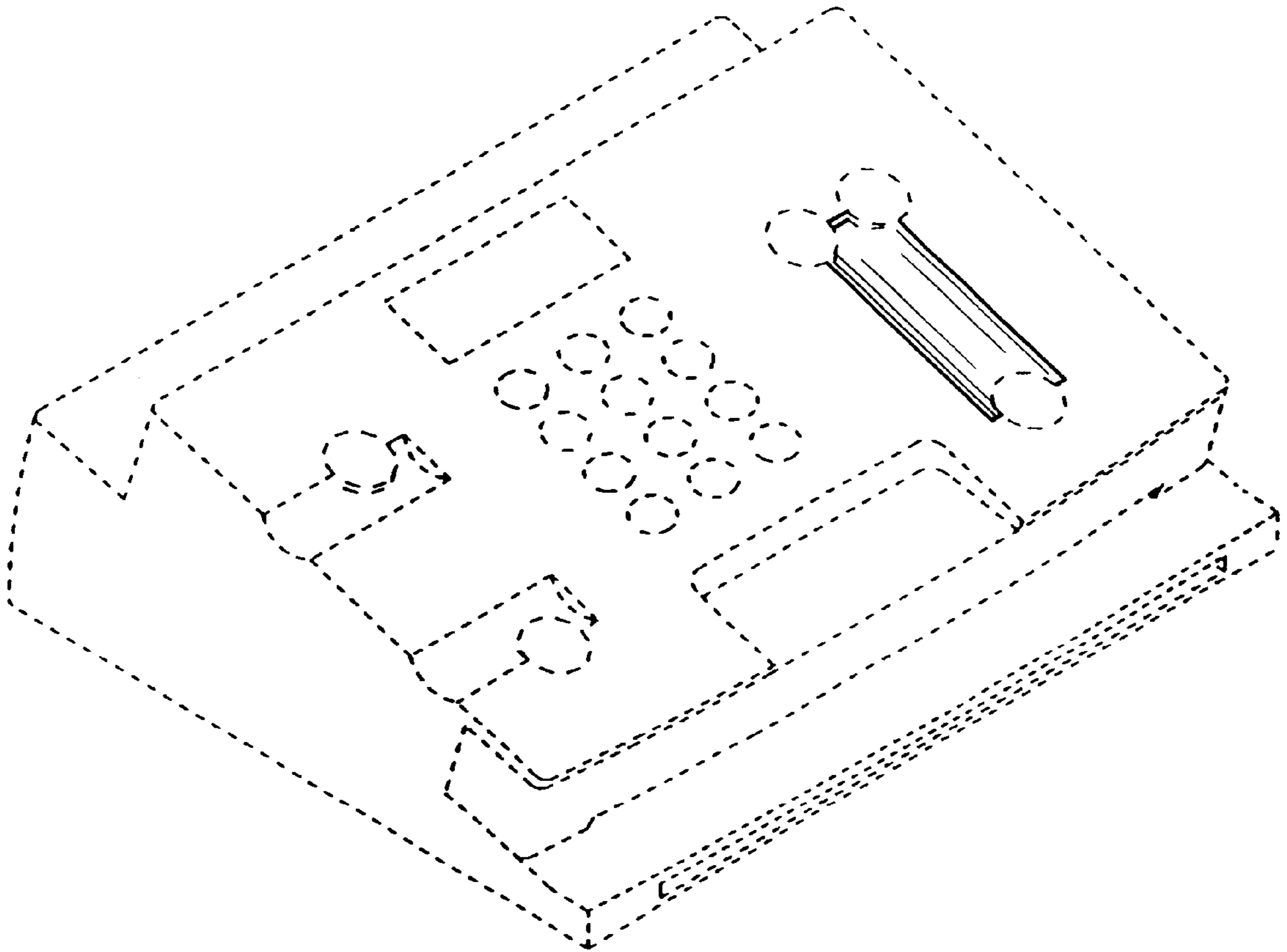


FIG. 1

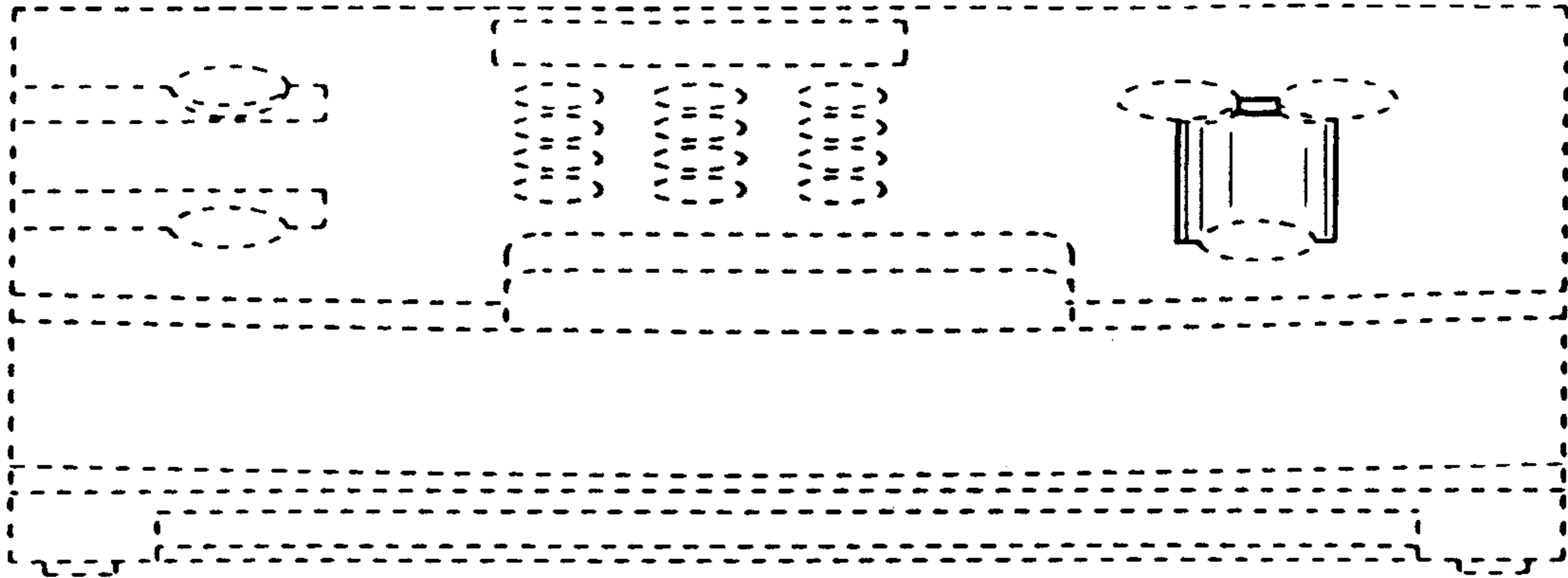


FIG. 2

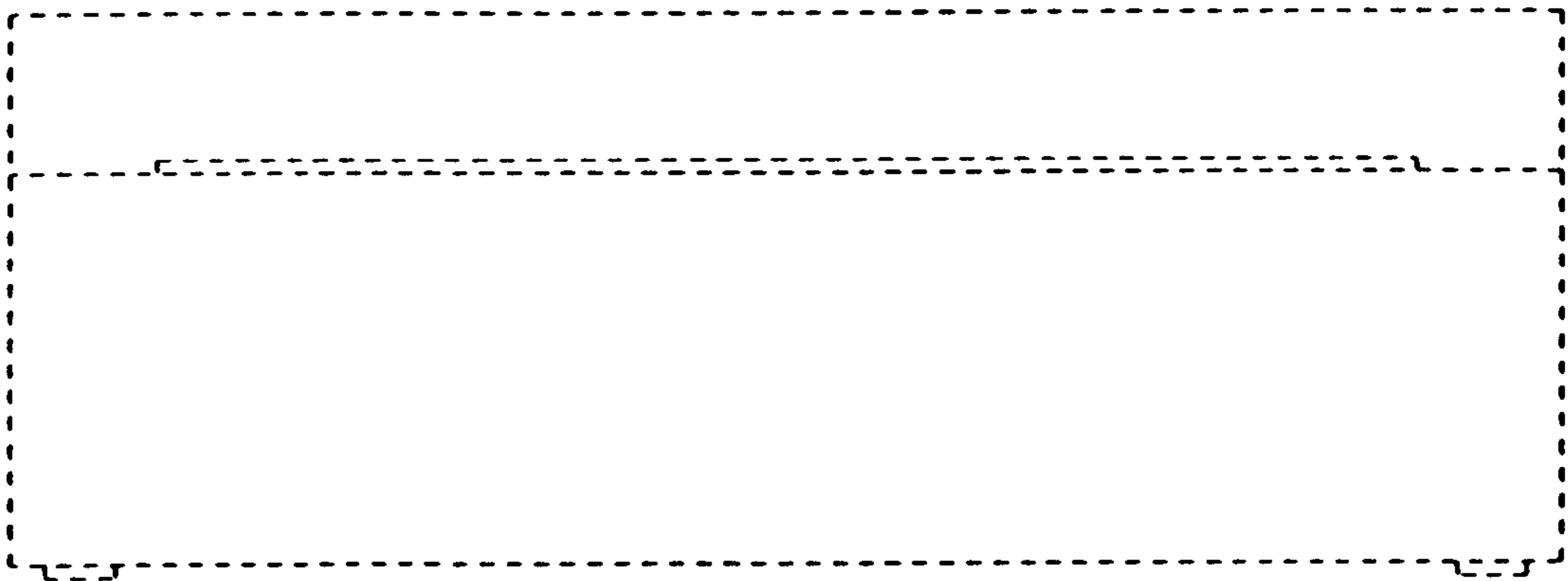


FIG. 3

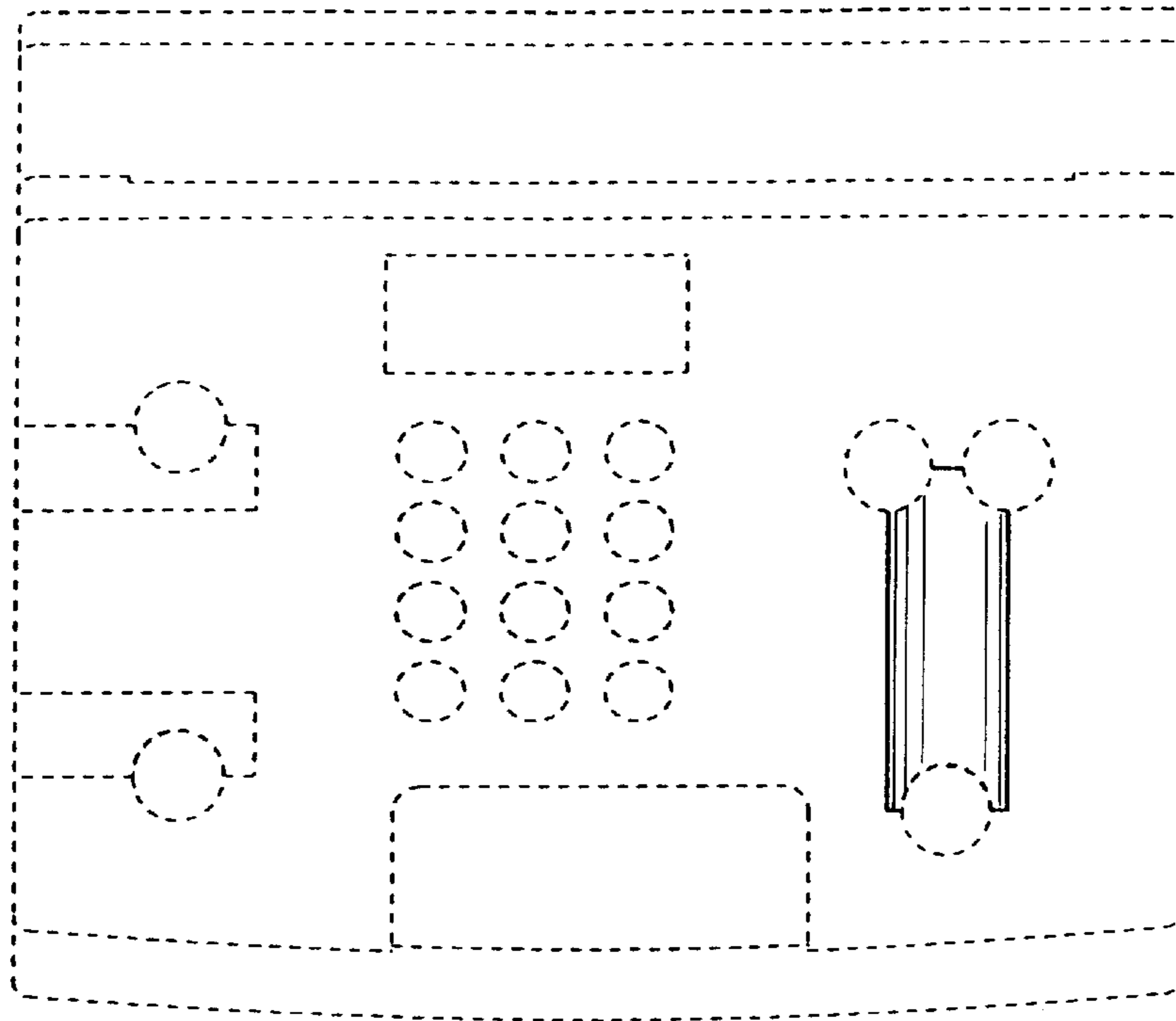


FIG. 4

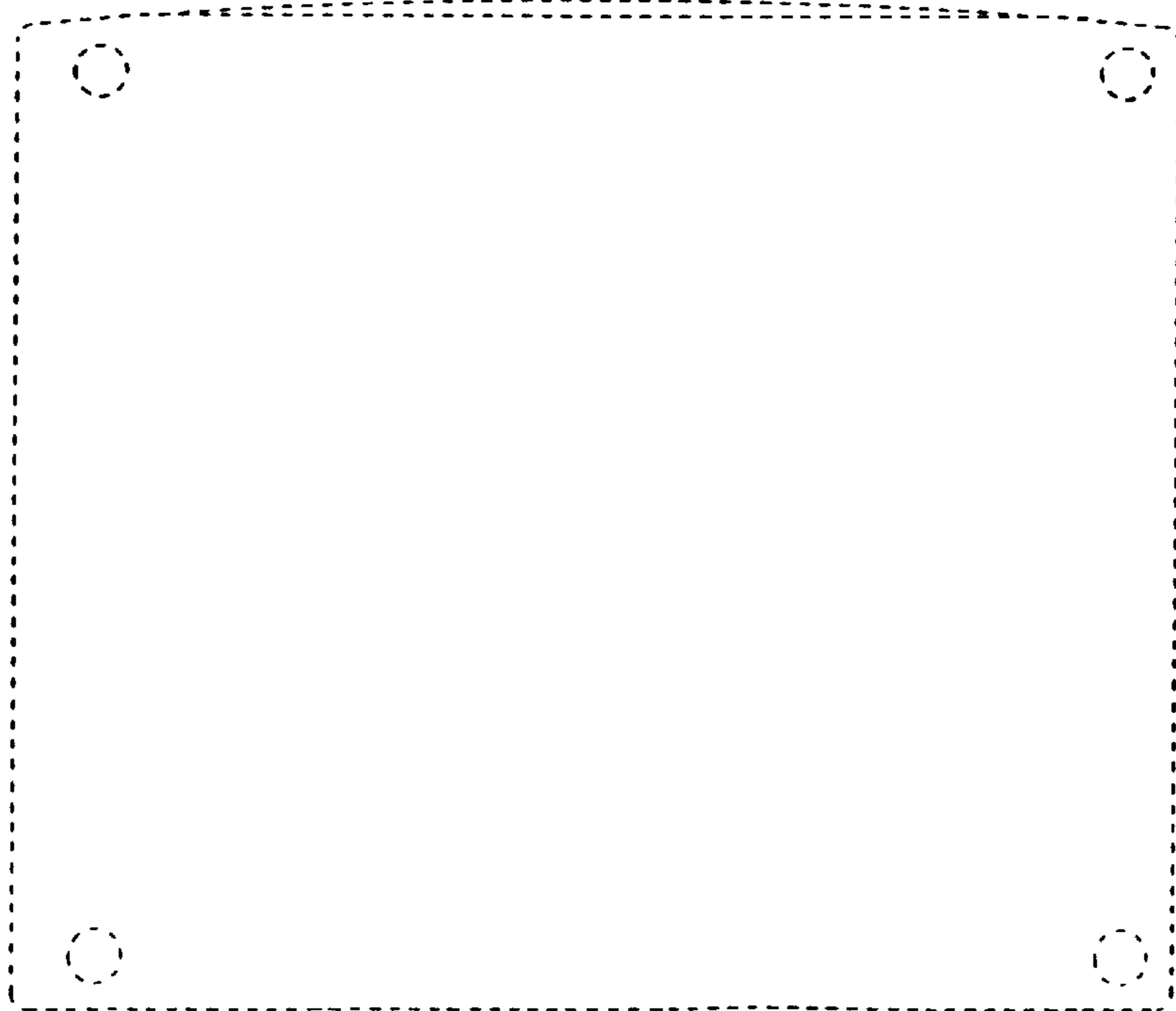


FIG. 5

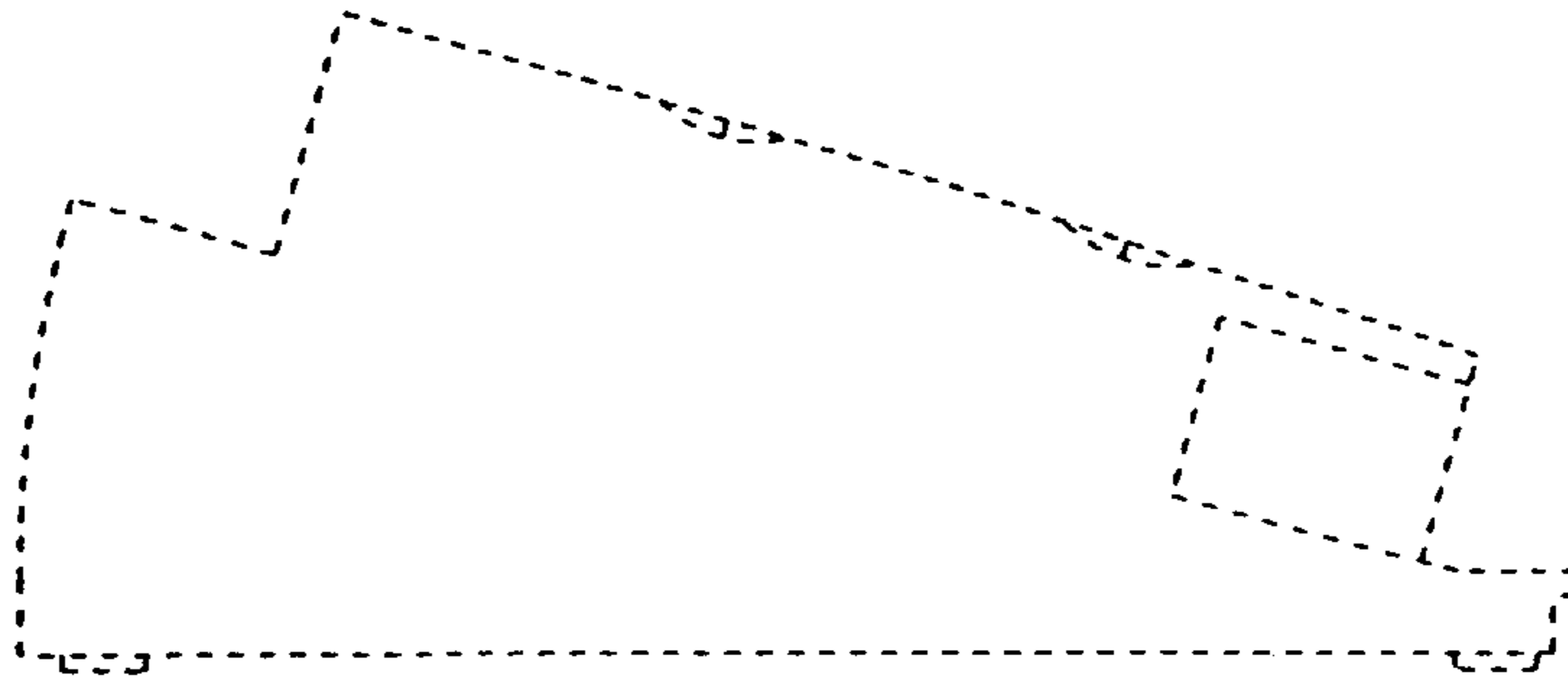


FIG. 6

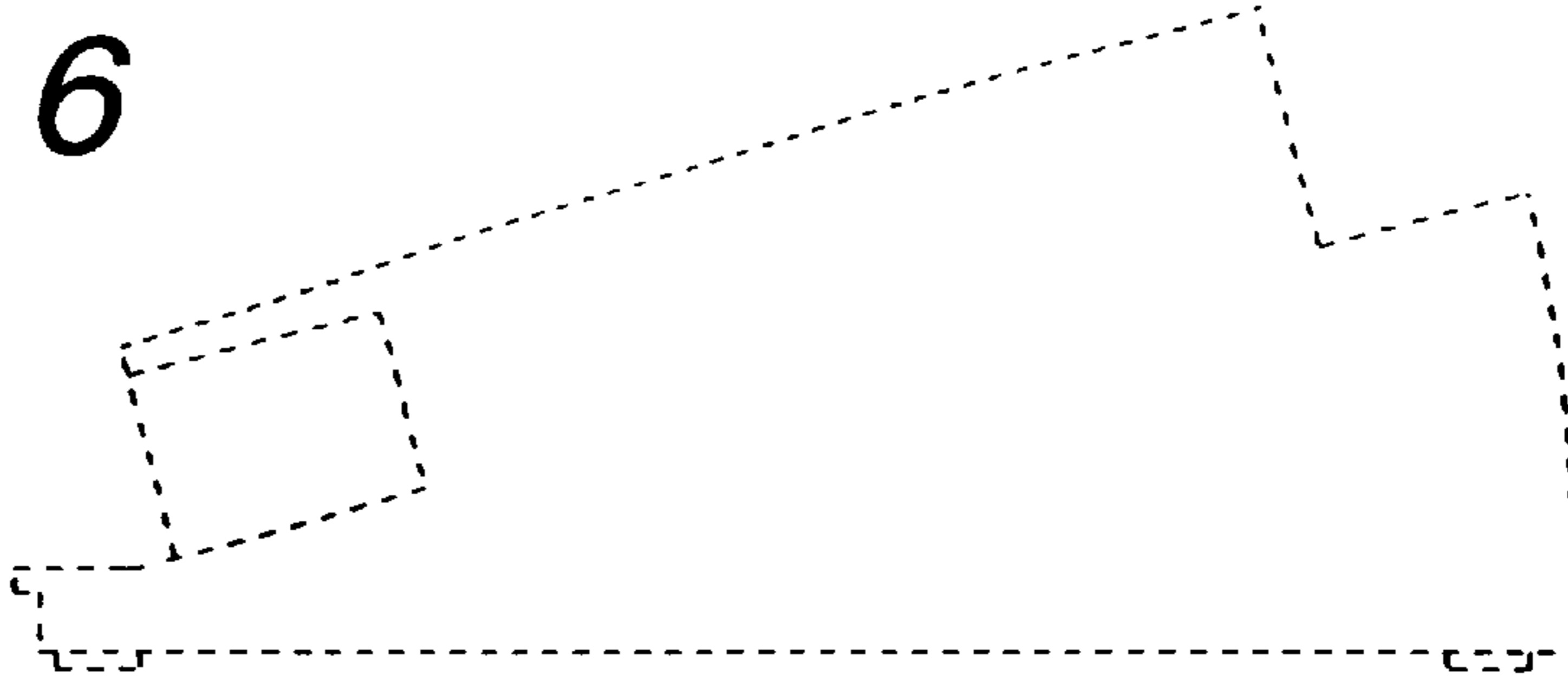


FIG. 7

