



US00D448771B1

(12) **United States Design Patent**  
**Fetherolf et al.**

(10) **Patent No.:** **US D448,771 S**

(45) **Date of Patent:** **\*\* Oct. 2, 2001**

(54) **PRINTER MOUNTED DOCUMENT  
SCANNER**

D. 388,405 \* 12/1997 Lin ..... D14/422  
D. 409,584 \* 5/1999 Fetherolf ..... D14/422  
D. 413,585 \* 9/1999 Sakuta et al. .... D14/422  
D. 422,570 \* 4/2000 Kobayashi ..... D14/422

(75) Inventors: **Will G Fetherolf; Eric Eskey**, both of  
Boise, ID (US)

\* cited by examiner

(73) Assignee: **Hewlett-Packard Co.**, Palo Alto, CA  
(US)

*Primary Examiner*—Kay H. Chin

(\*\*) Term: **14 Years**

(57) **CLAIM**

(21) Appl. No.: **29/130,533**

The ornamental design for a printer mounted document scanner, as shown.

(22) Filed: **Oct. 2, 2000**

**DESCRIPTION**

(51) **LOC (7) Cl.** ..... **14-02**

(52) **U.S. Cl.** ..... **D14/422; D18/54**

(58) **Field of Search** ..... D14/420, 422;  
D18/36, 37, 39, 50, 54; 250/556; 235/454,  
470, 476, 483, 441; 271/145; 355/64, 65,  
75, 81

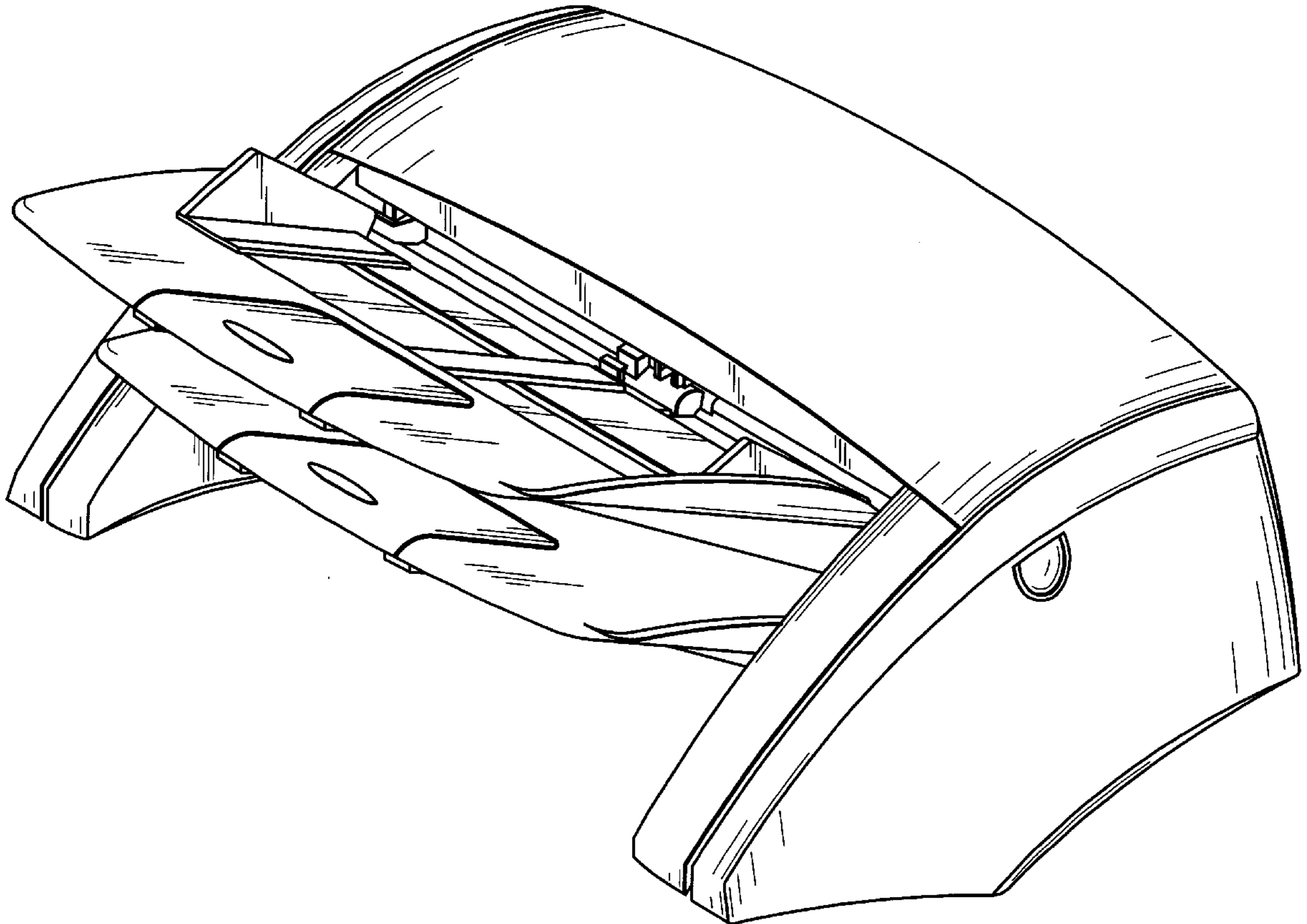
FIG. 1 is a perspective view of a printer mounted document scanner showing the new design;  
FIG. 2 is a front view thereof;  
FIG. 3 is a rear view thereof;  
FIG. 4 is a top view thereof;  
FIG. 5 is a left side view thereof; and,  
FIG. 6 is a right side view thereof.

(56) **References Cited**

**U.S. PATENT DOCUMENTS**

D. 382,256 \* 8/1997 Lin ..... D14/422

**1 Claim, 4 Drawing Sheets**



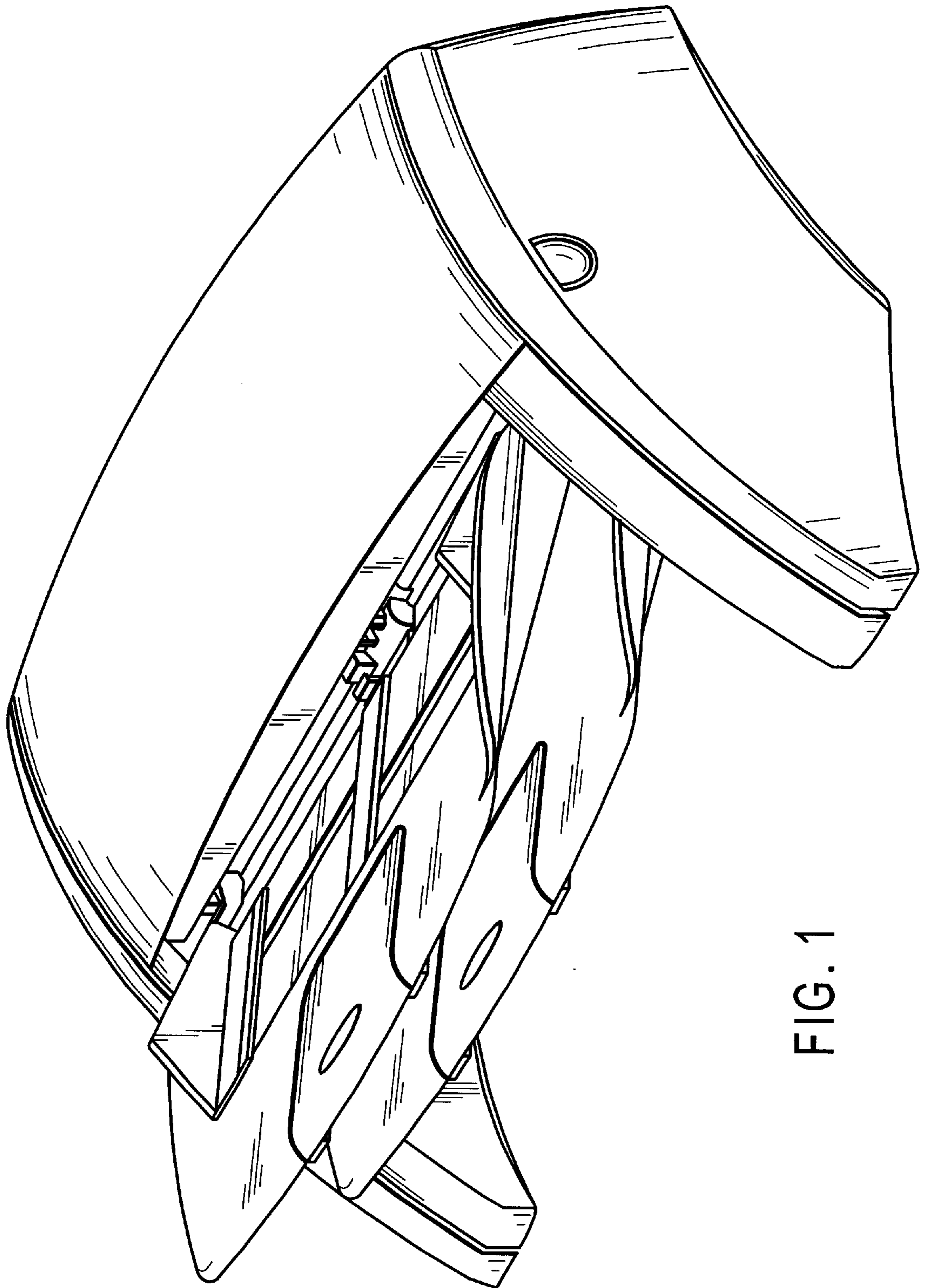


FIG. 1

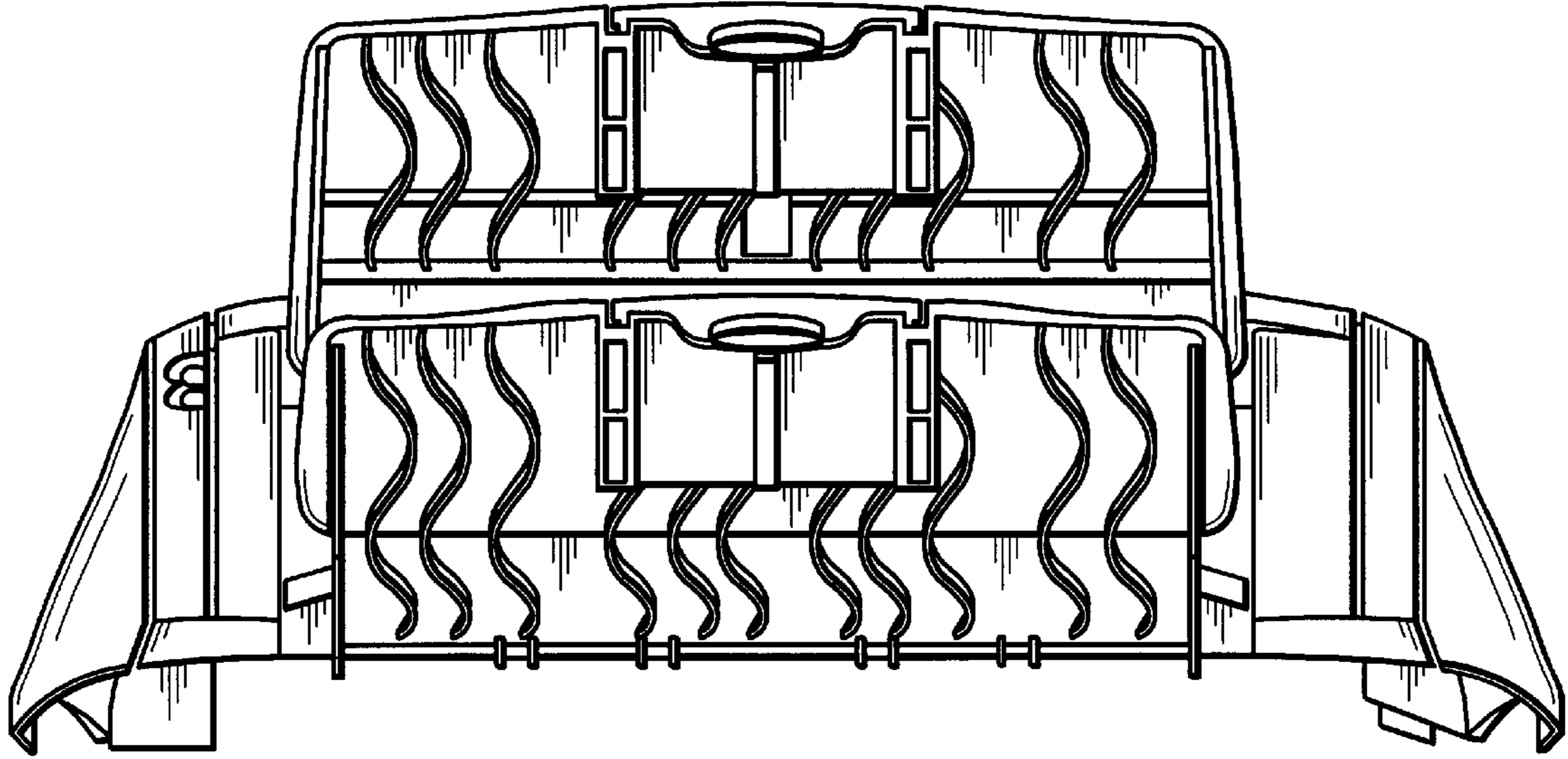


FIG. 2

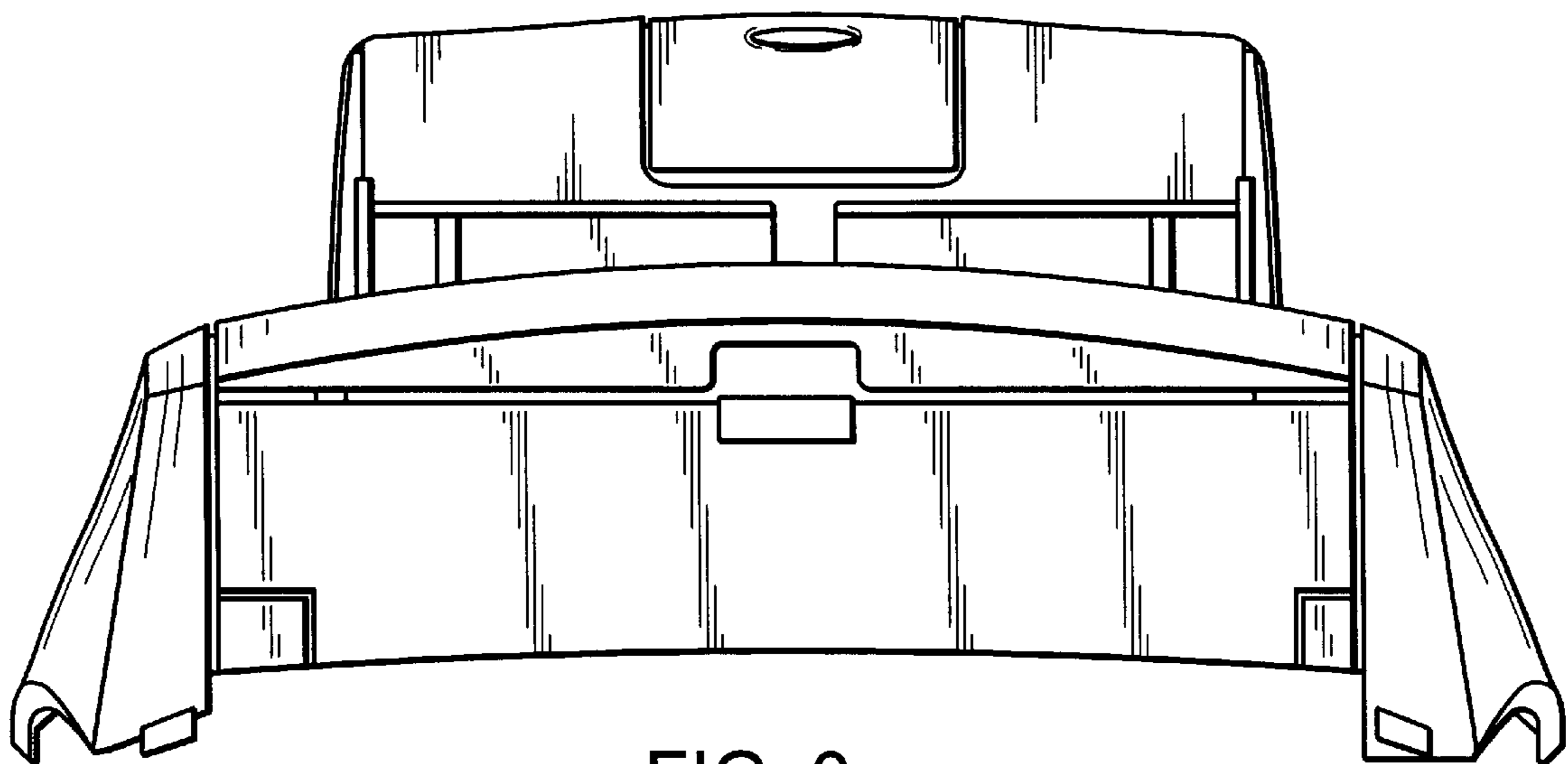


FIG. 3

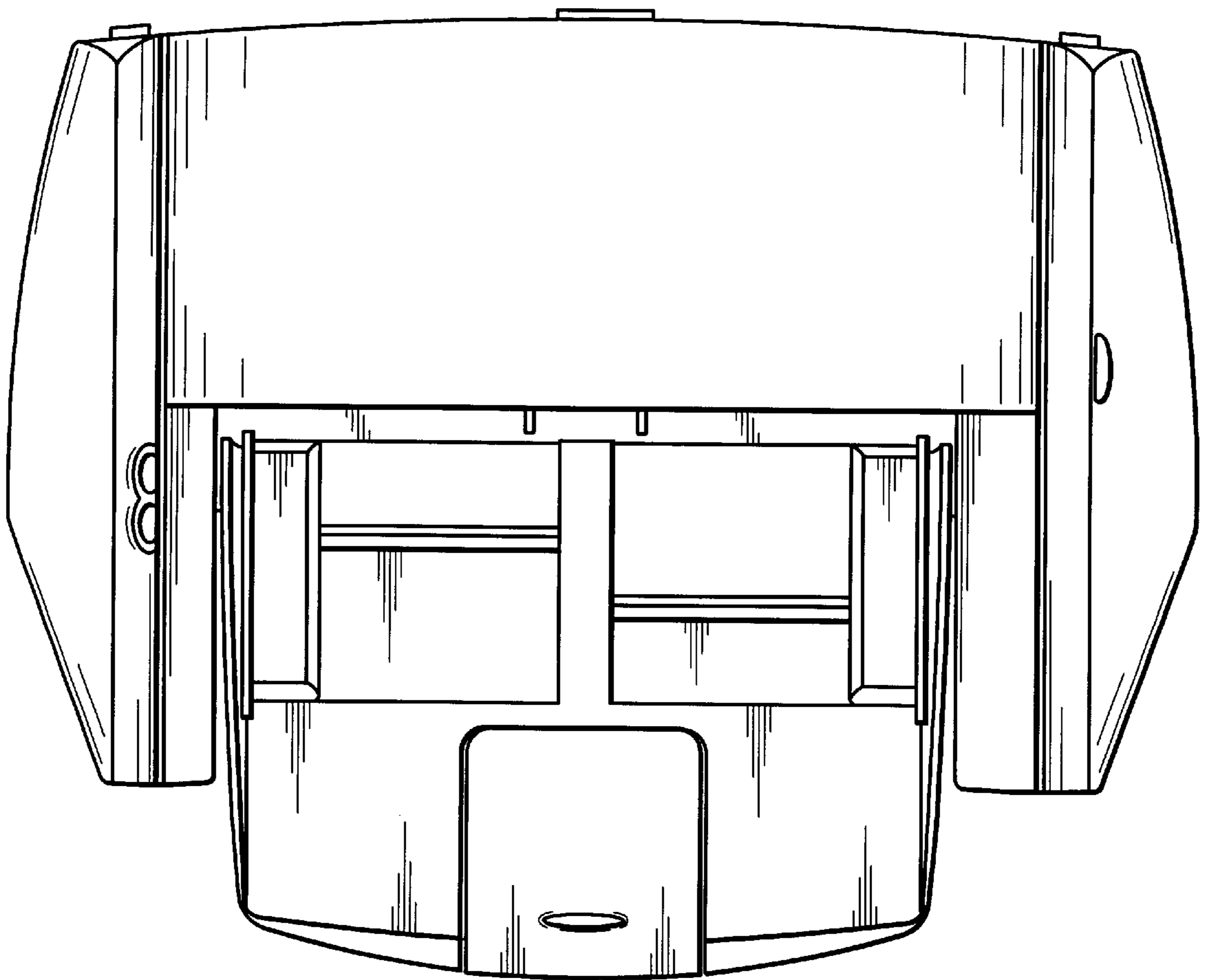


FIG. 4

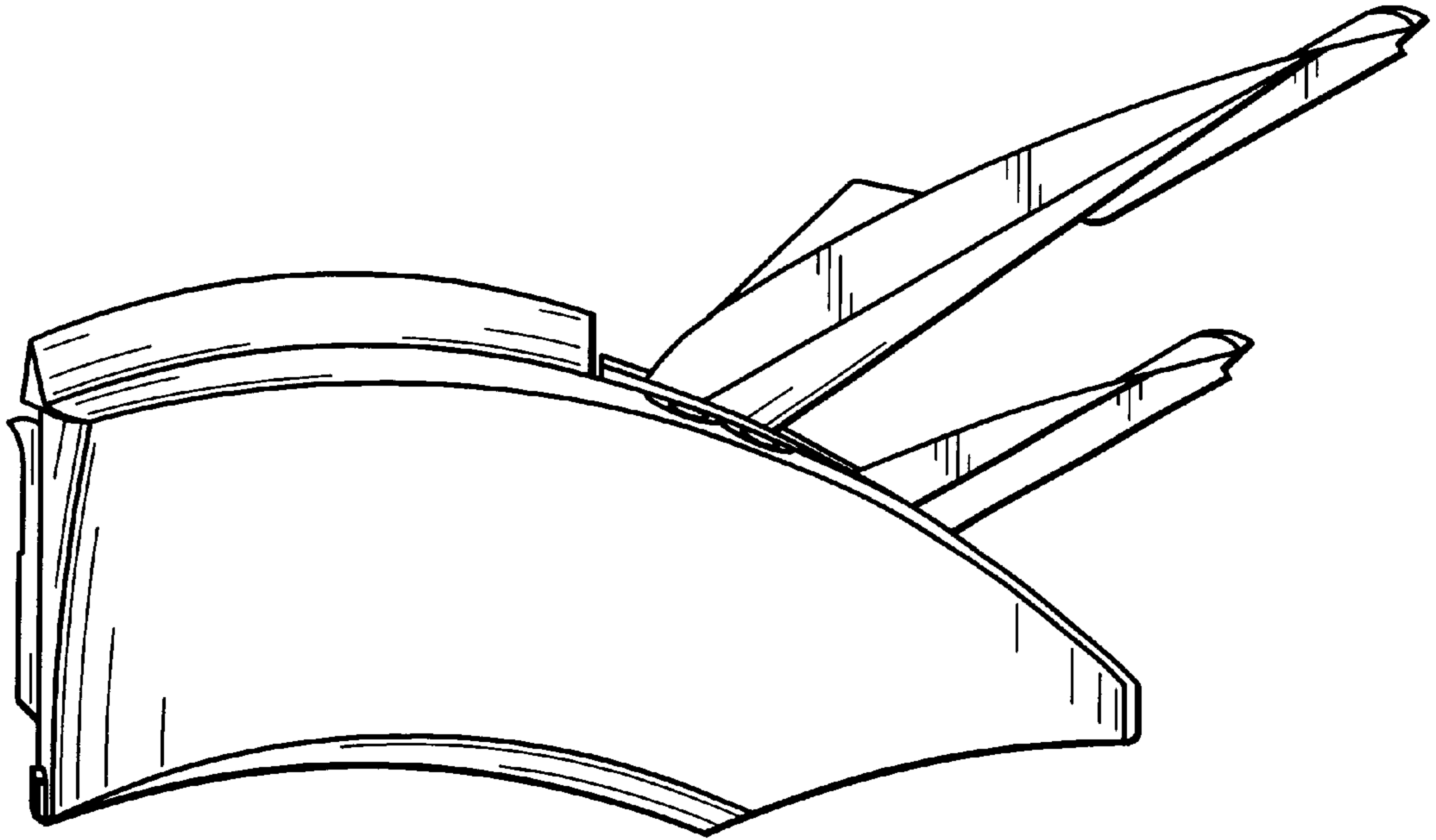


FIG. 5

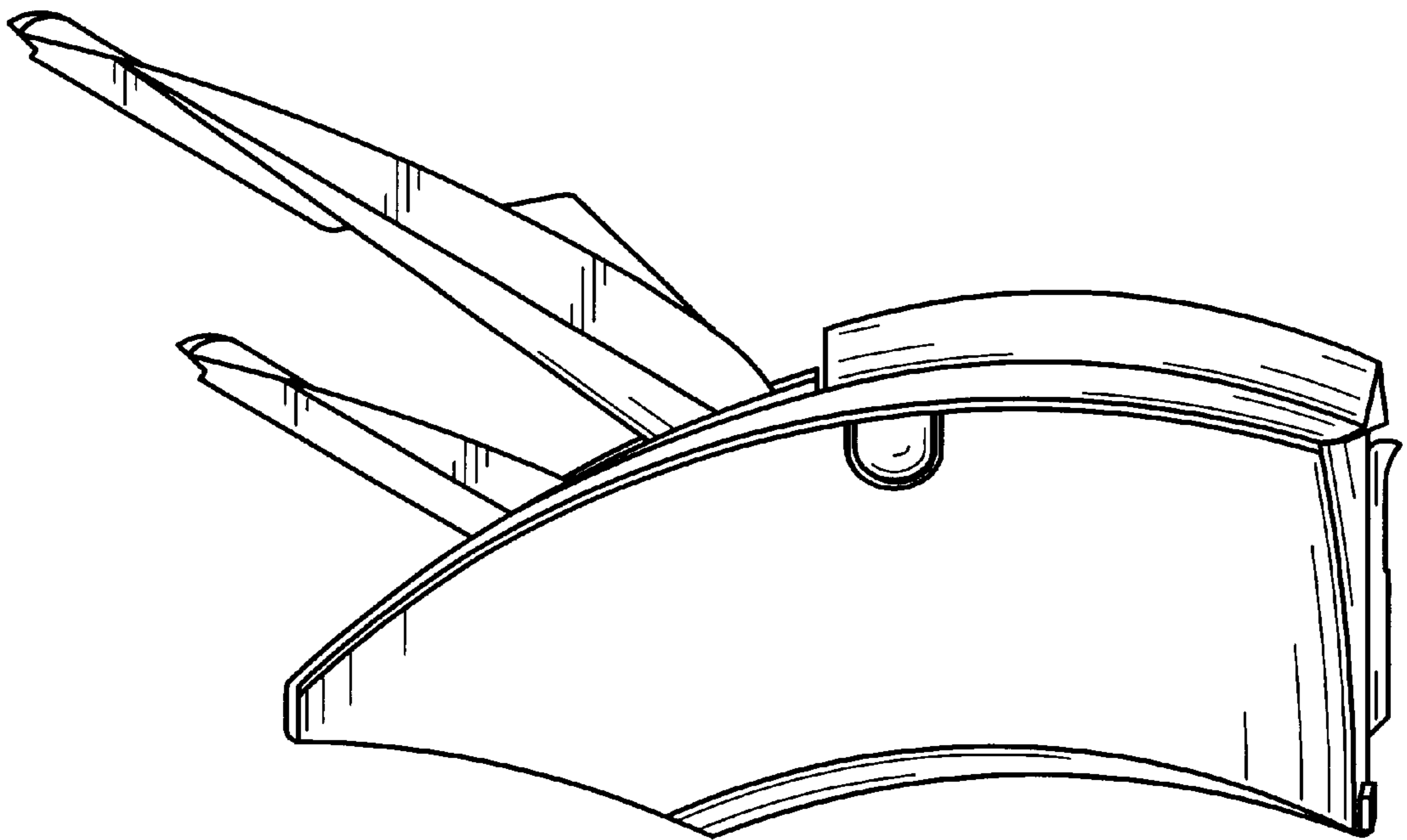


FIG. 6