



US00D448769B1

(12) **United States Design Patent**
Jung

(10) **Patent No.:** **US D448,769 S**

(45) **Date of Patent:** **** Oct. 2, 2001**

(54) **MONITOR**

(75) **Inventor:** **Seok Young Jung**, Seoul (KR)

(73) **Assignee:** **LG Electronics Inc.**, Seoul (KR)

(**) **Term:** **14 Years**

(21) **Appl. No.:** **29/125,388**

(22) **Filed:** **Jun. 22, 2000**

(30) **Foreign Application Priority Data**

Dec. 22, 1999 (KR) 99-31028

(51) **LOC (7) Cl.** **14-02**

(52) **U.S. Cl.** **D14/374**

(58) **Field of Search** D14/371, 374,
D14/375, 379, 125-129; 345/104, 133,
156, 168, 173; 348/180, 184; 248/917-924;
349/1, 2, 11, 62

(56) **References Cited**

U.S. PATENT DOCUMENTS

D. 356,077 * 3/1995 Harada et al. D14/126

D. 413,586 * 9/1999 Kondo D14/375
D. 416,549 * 3/1995 Coster et al. D14/375

* cited by examiner

Primary Examiner—Freda Nunn

(74) *Attorney, Agent, or Firm*—Birch, Stewart, Kolasch & Birch, LLP

(57) **CLAIM**

The ornamental design for a monitor, as shown and described.

DESCRIPTION

FIG. 1 is a perspective view of a monitor showing my new design;

FIG. 2 is a front elevational view;

FIG. 3 is a left side elevational view;

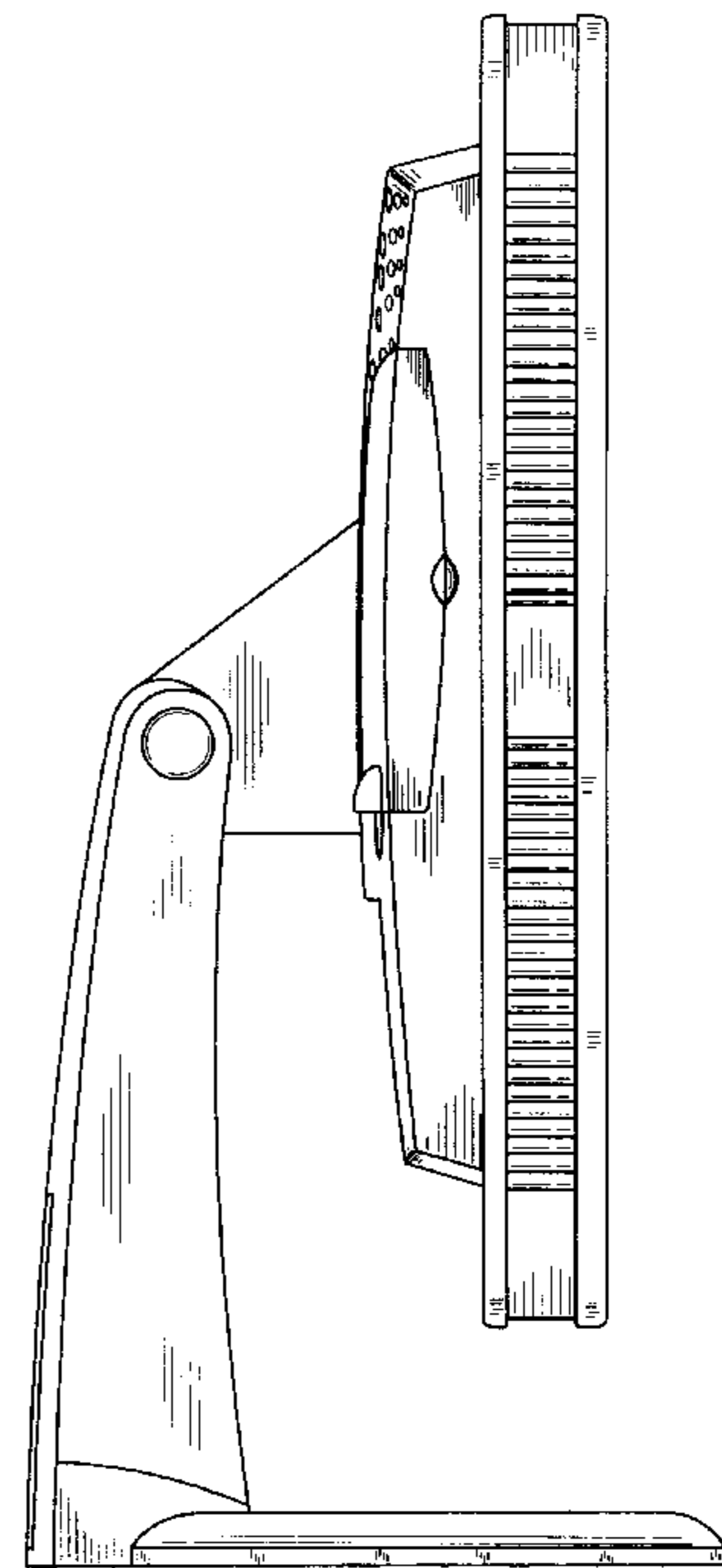
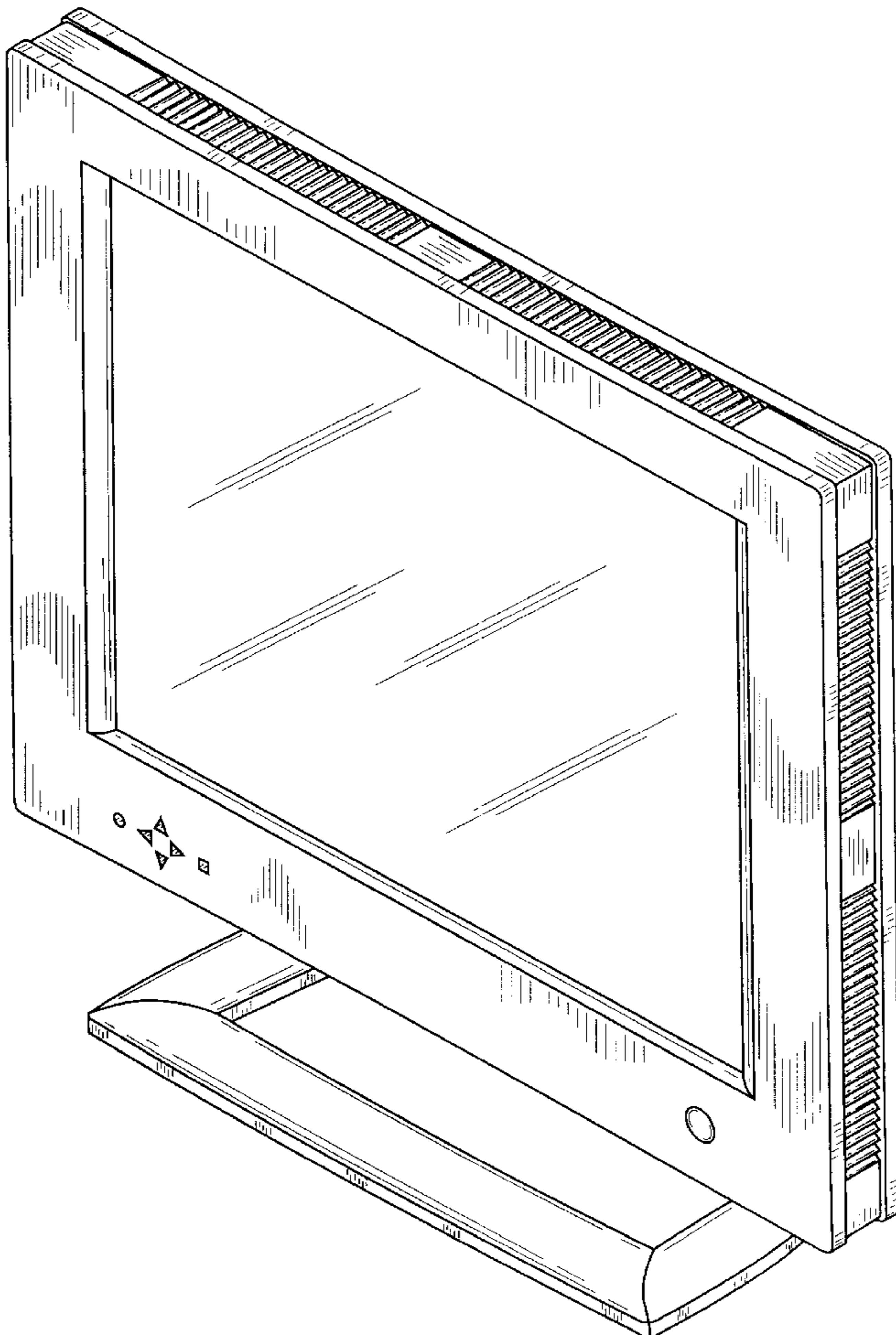
FIG. 4 is a rear elevational view;

FIG. 5 is a right side elevational view;

FIG. 6 is a top plan view; and,

FIG. 7 is a bottom plan view.

1 Claim, 6 Drawing Sheets



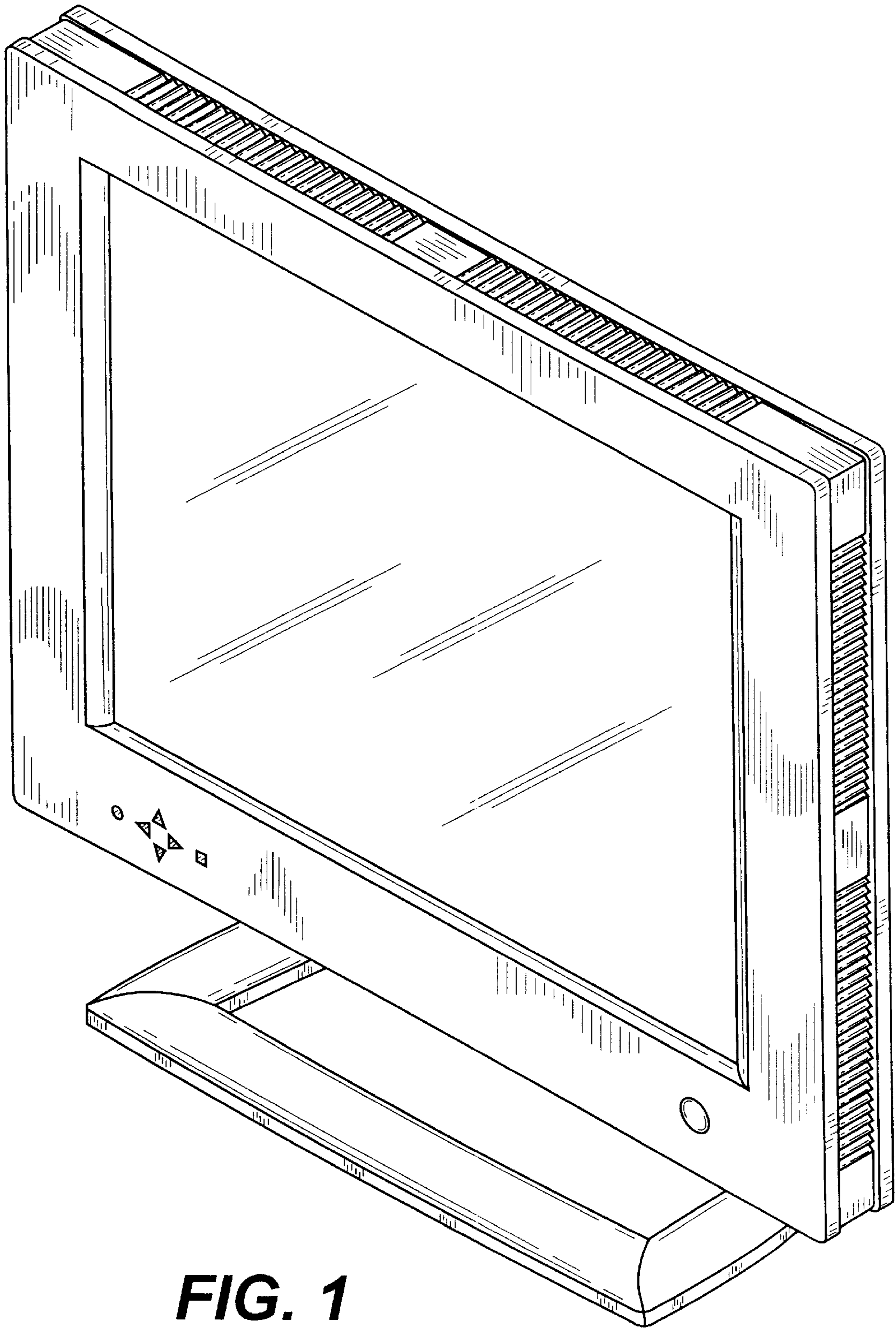


FIG. 1

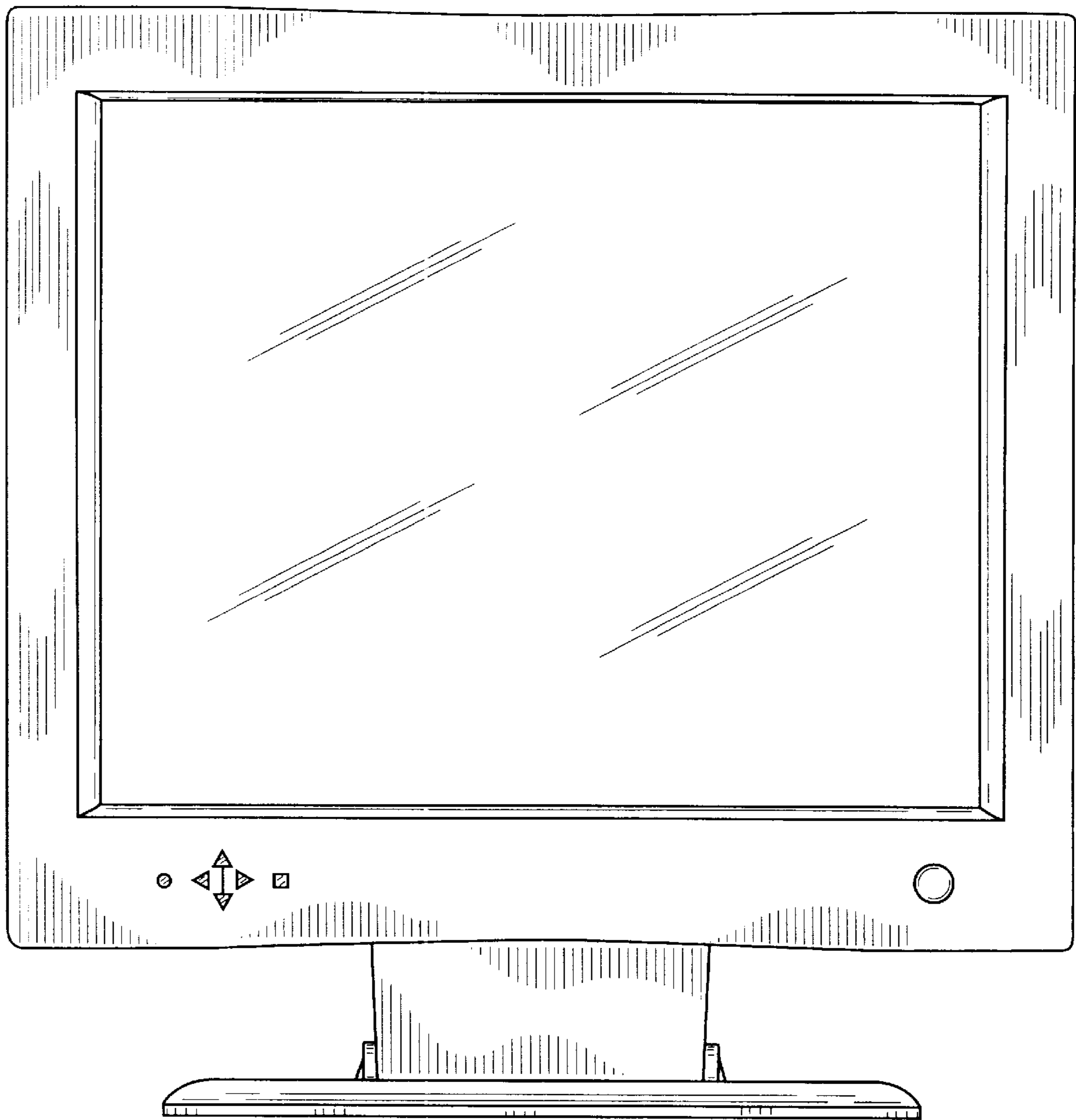


FIG. 2

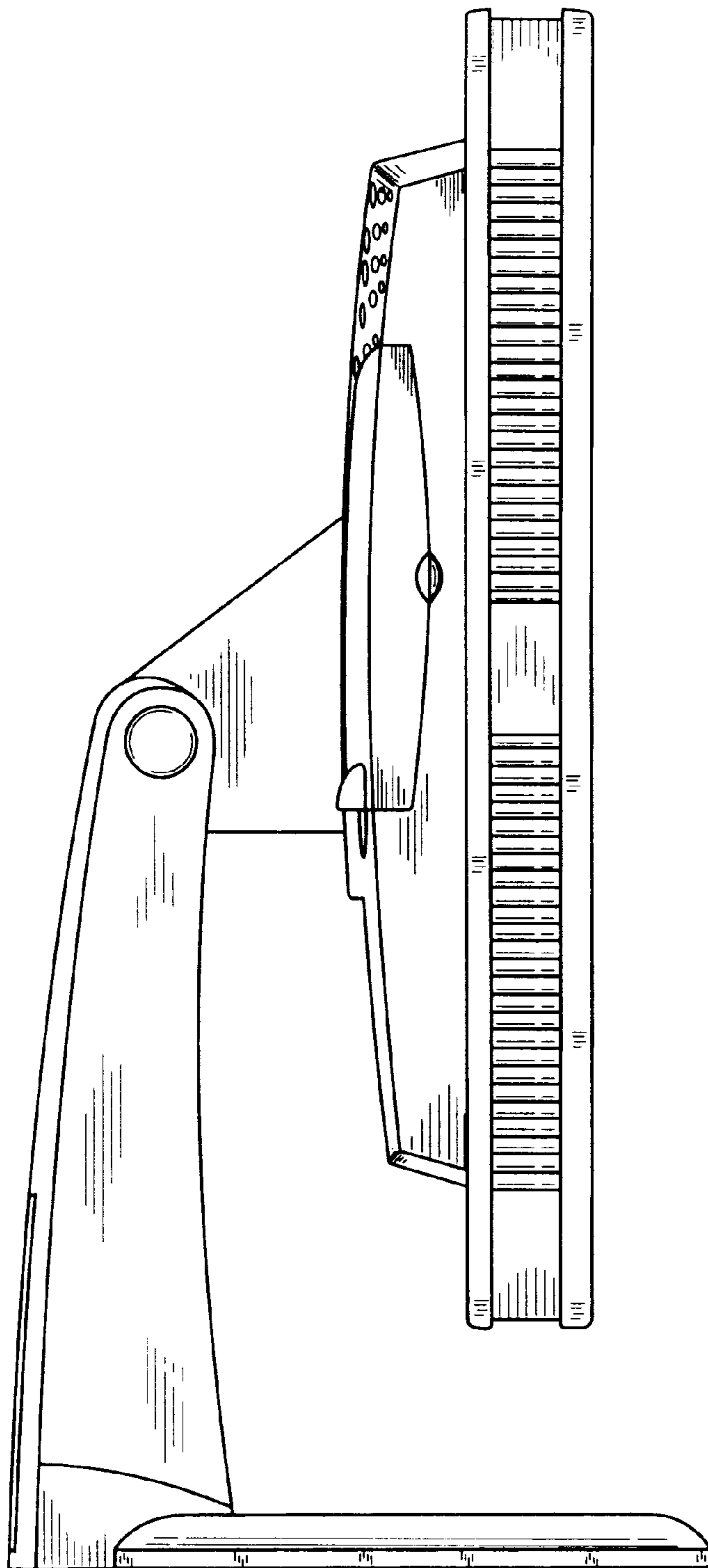


FIG. 3

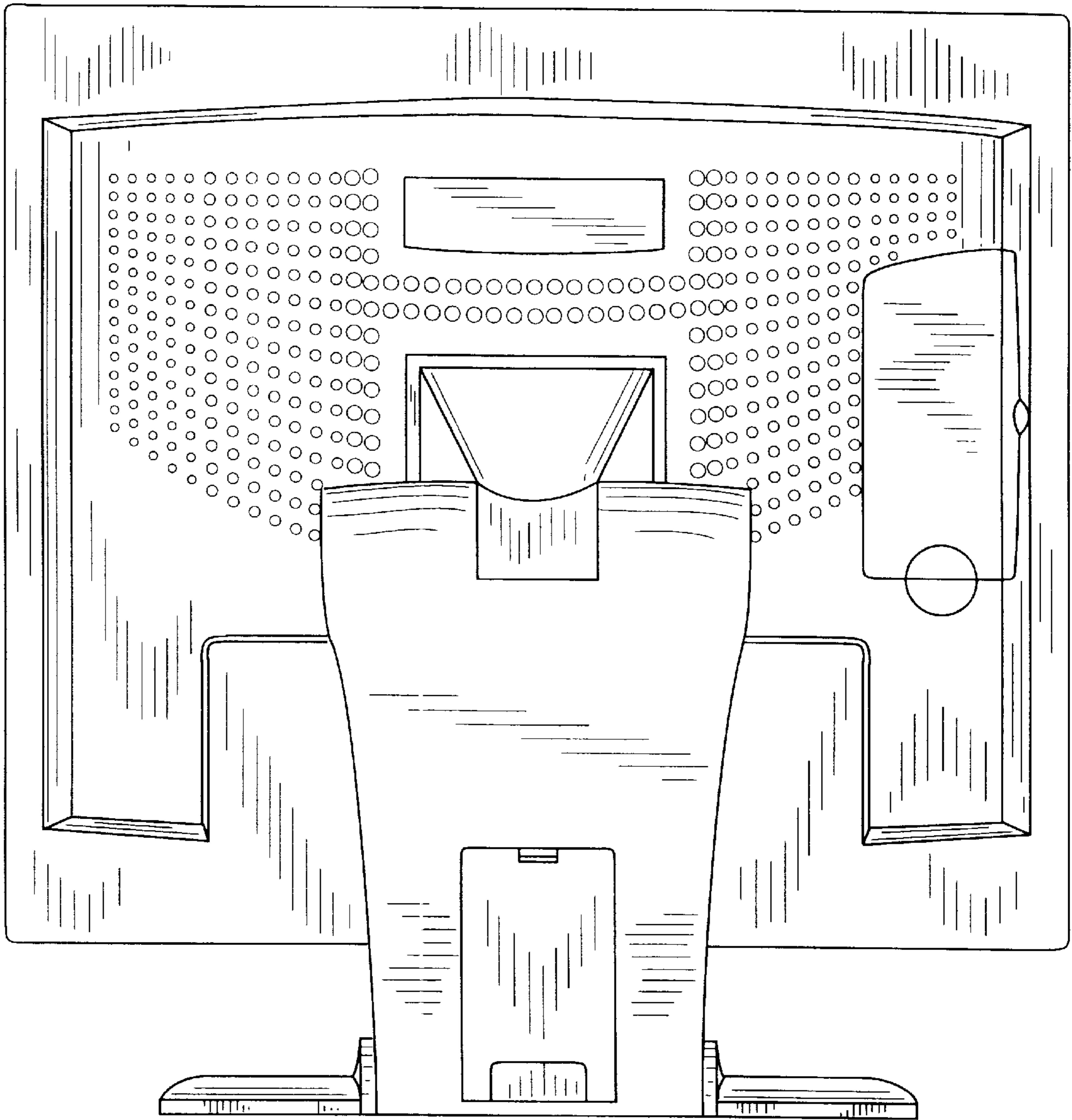


FIG. 4

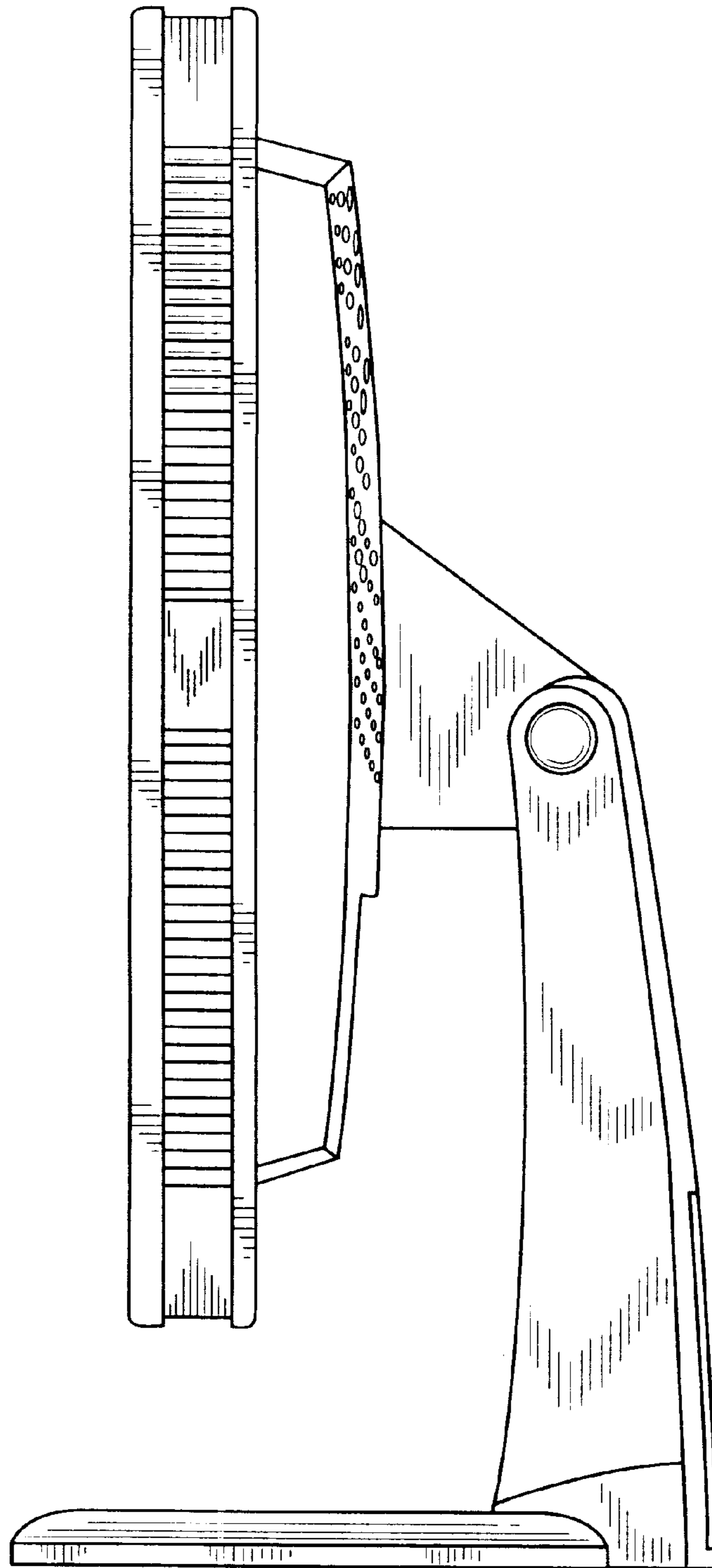


FIG. 5

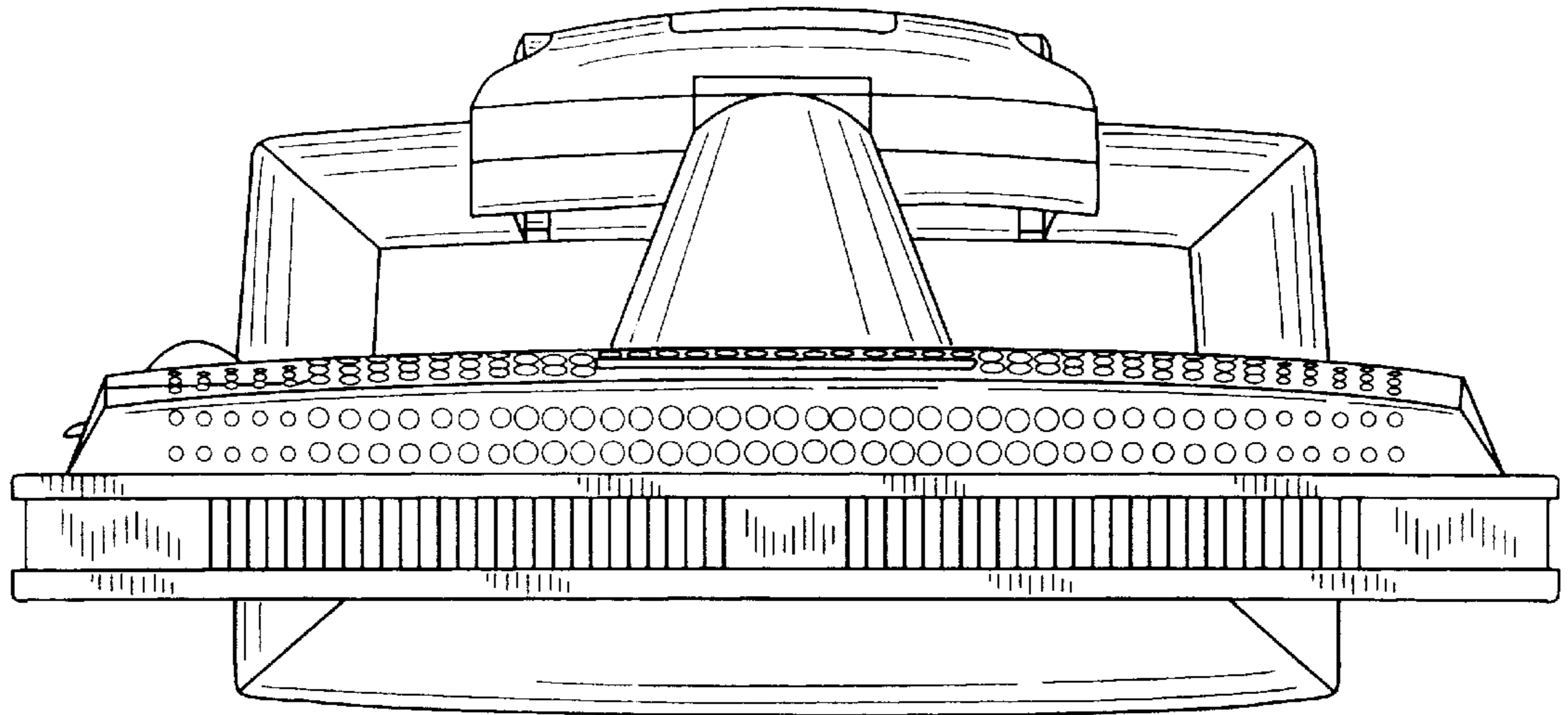


FIG. 6

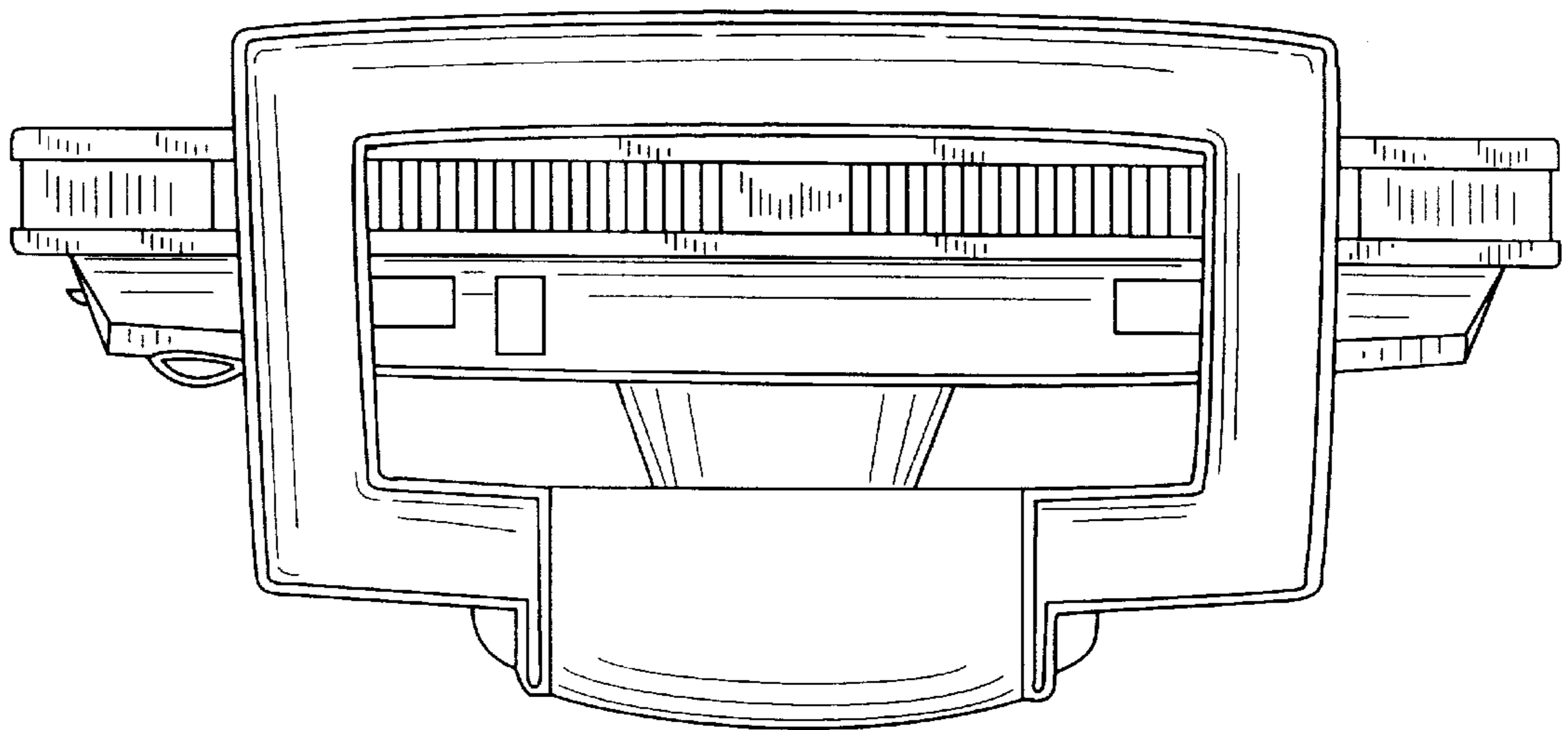


FIG. 7