



US00D448768B1

(12) **United States Design Patent** (10) **Patent No.:** **US D448,768 S**
Suzuki (45) **Date of Patent:** **** Oct. 2, 2001**

(54) **INFRARED RAY TRANSMITTER**
(75) Inventor: **Satoshi Suzuki**, Tokyo (JP)
(73) Assignee: **Sony Corporation**, Tokyo (JP)
(**) Term: **14 Years**

(74) *Attorney, Agent, or Firm*—Rader, Fishman & Grauer, PLLC

(21) Appl. No.: **29/105,911**
(22) Filed: **Jun. 2, 1999**
(30) **Foreign Application Priority Data**
Dec. 3, 1998 (JP) 10-34821
(51) **LOC (7) Cl.** **14-02**
(52) **U.S. Cl.** **D14/358; D14/349**
(58) **Field of Search** D14/356–358,
D14/349, 351, 352, 353, 354, 155; D13/147,
184, 199; 340/287, 291, 307, 425.1, 425.2,
310.01, 825.72, 825.64; 361/680–686, 690–696

(57) **CLAIM**
The ornamental design for an infrared ray transmitter, as shown and described.

(56) **References Cited**
U.S. PATENT DOCUMENTS
D. 317,005 * 5/1991 Wickrema et al. D14/358
D. 357,906 * 5/1995 Fukushima D14/358
D. 376,138 * 12/1996 Moon D14/358
D. 382,255 * 8/1997 Moffatt D14/358
4,833,467 * 5/1989 Kobayashi et al. 340/825.64
5,838,226 * 11/1998 Houggy et al. 340/310.01

DESCRIPTION

FIG. 1 is a perspective view of a first embodiment of an infrared ray transmitter showing my new design;
FIG. 2 is a top plan view thereof;
FIG. 3 is a front elevational view thereof;
FIG. 4 is a right side elevational view thereof;
FIG. 5 is a rear elevational view thereof;
FIG. 6 is a left side elevational view thereof; and
FIG. 7 is a bottom plan view thereof.
FIG. 8 is a perspective view of a second embodiment of an infrared ray transmitter showing my new design;
FIG. 9 is a top plan view thereof;
FIG. 10 is a front elevational view thereof;
FIG. 11 is a right side elevational view thereof;
FIG. 12 is a rear elevational view thereof;
FIG. 13 is a left side elevational view thereof; and,
FIG. 14 is a bottom plan view thereof.

OTHER PUBLICATIONS

Sony Catalog "88", pp. 197, 198 and 208, (Mar. 1998).

* cited by examiner

Primary Examiner—Freda Nunn

1 Claim, 6 Drawing Sheets

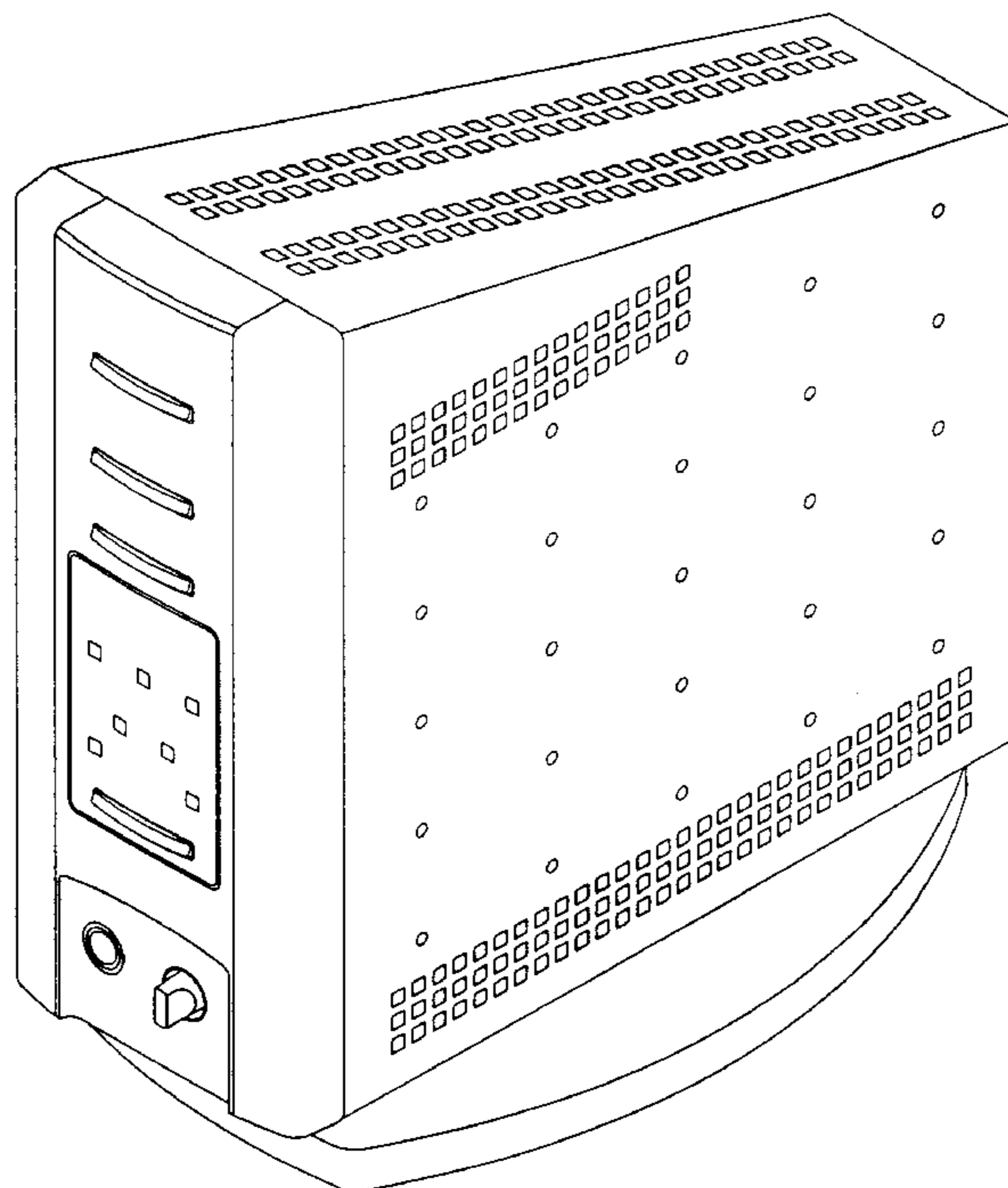


FIG. 1

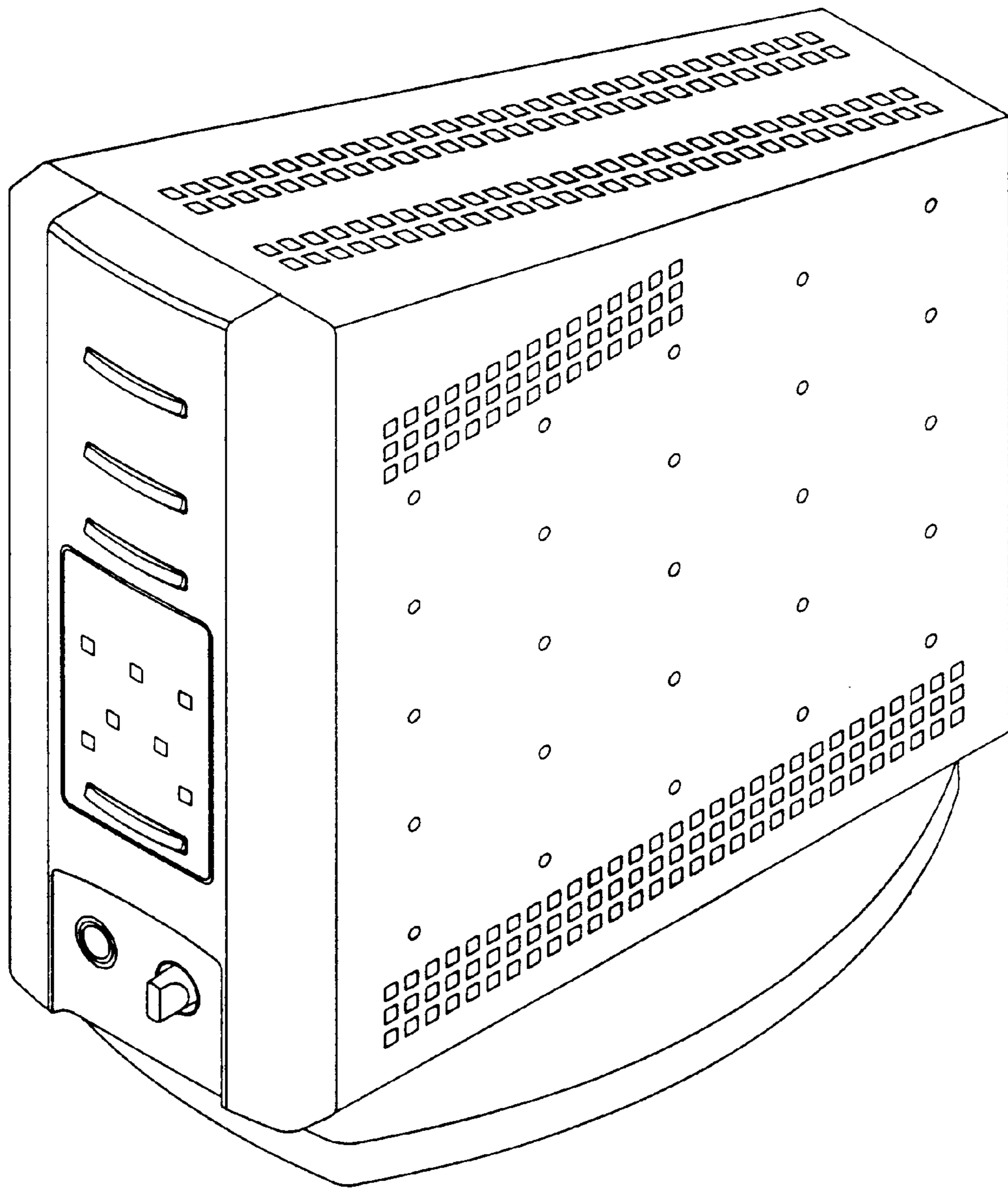


FIG. 2

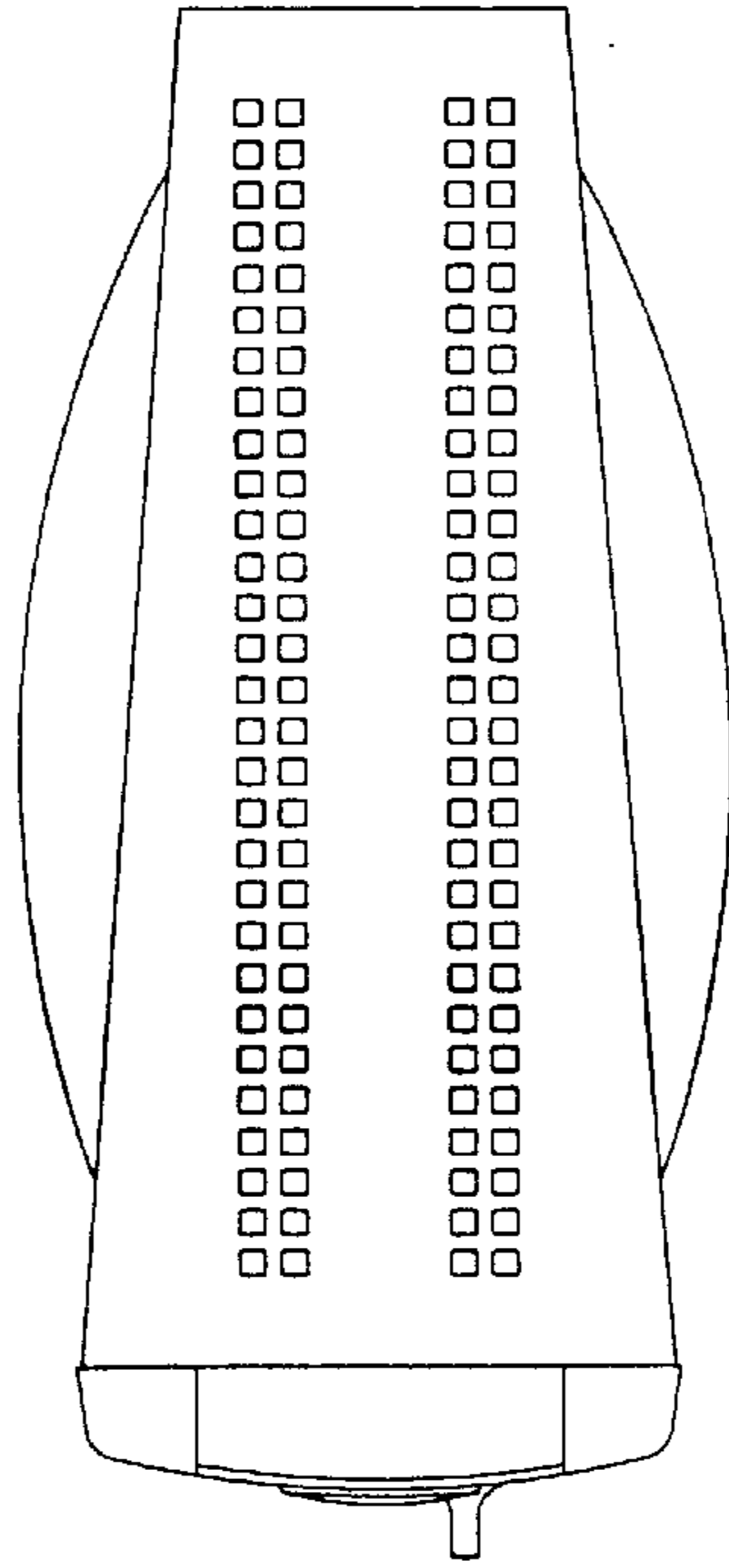


FIG. 3

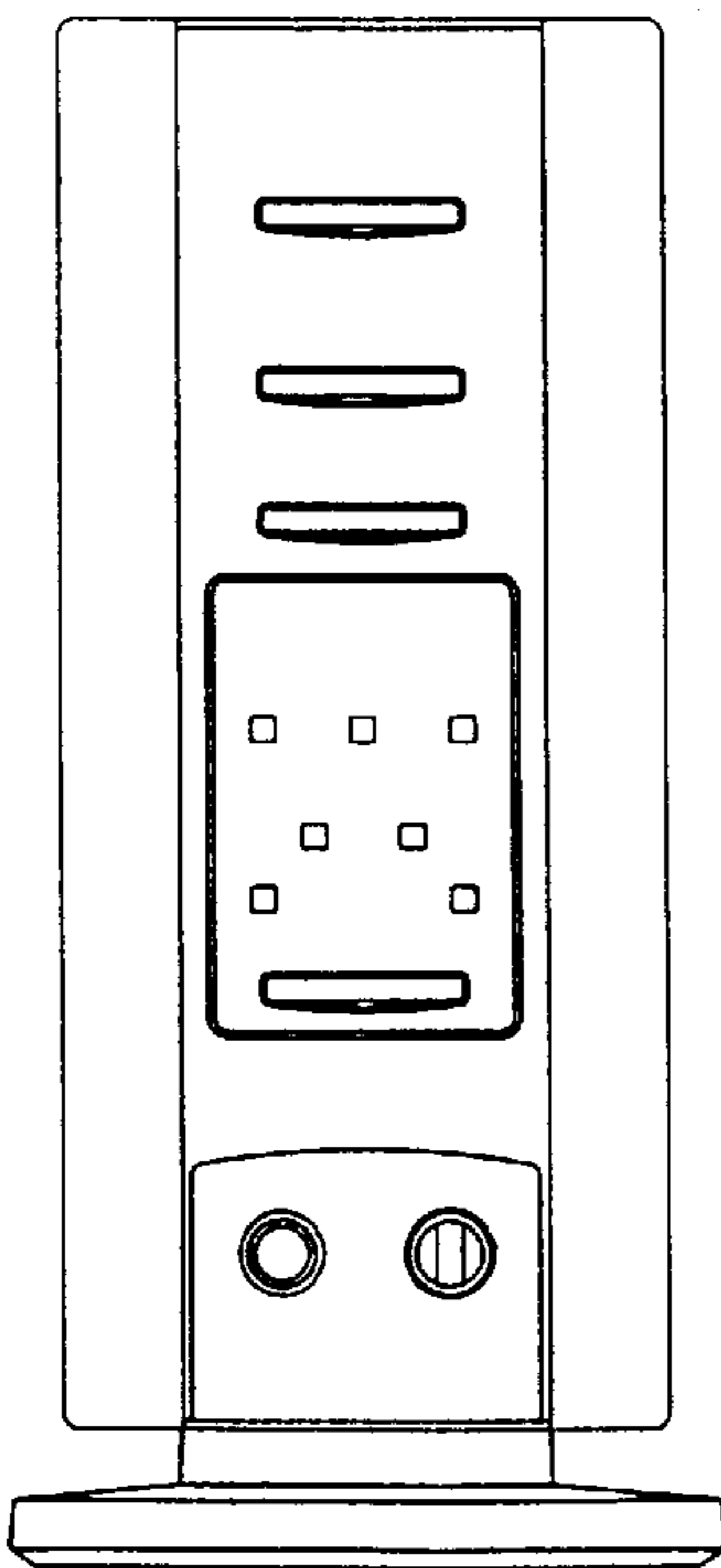


FIG. 4

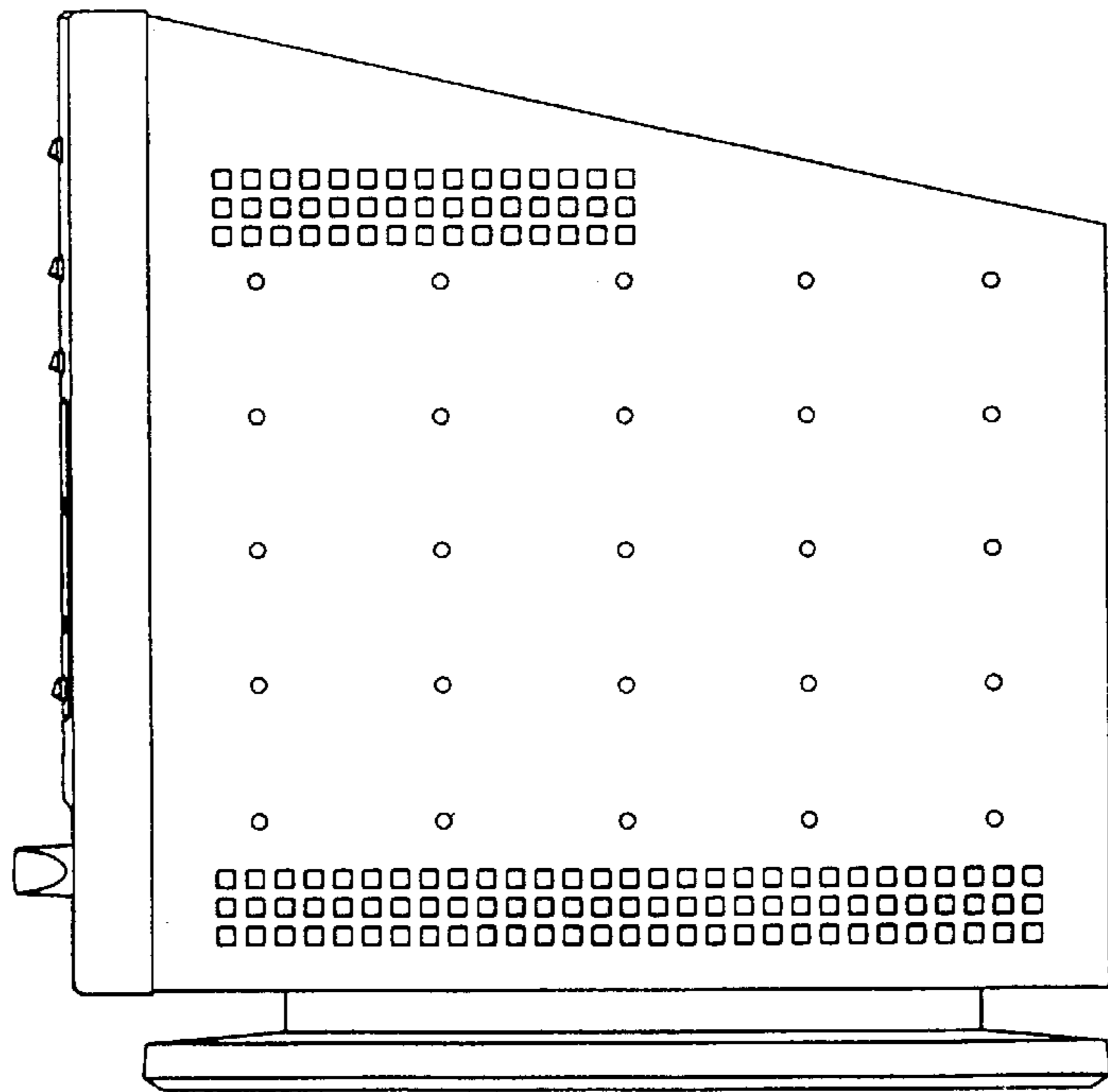


FIG. 5

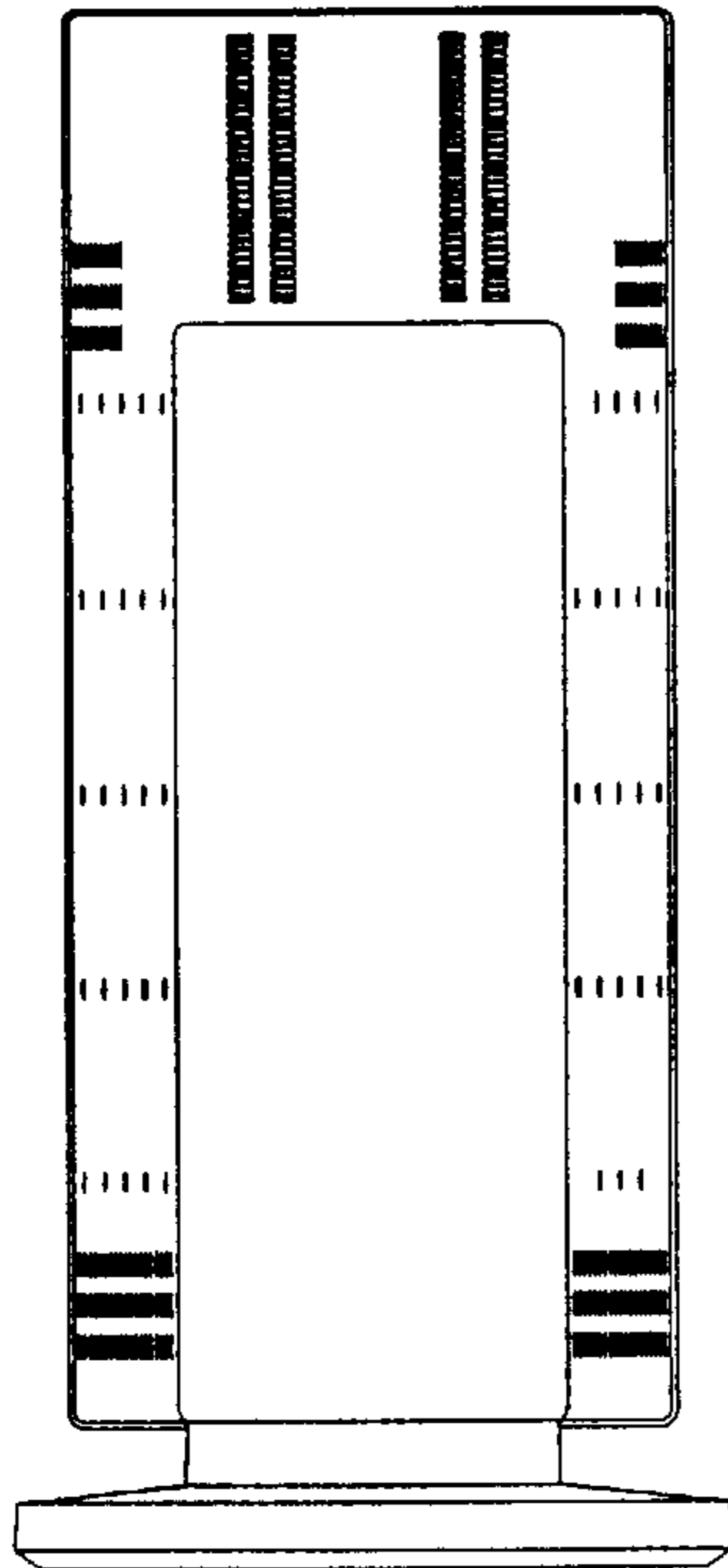


FIG. 6

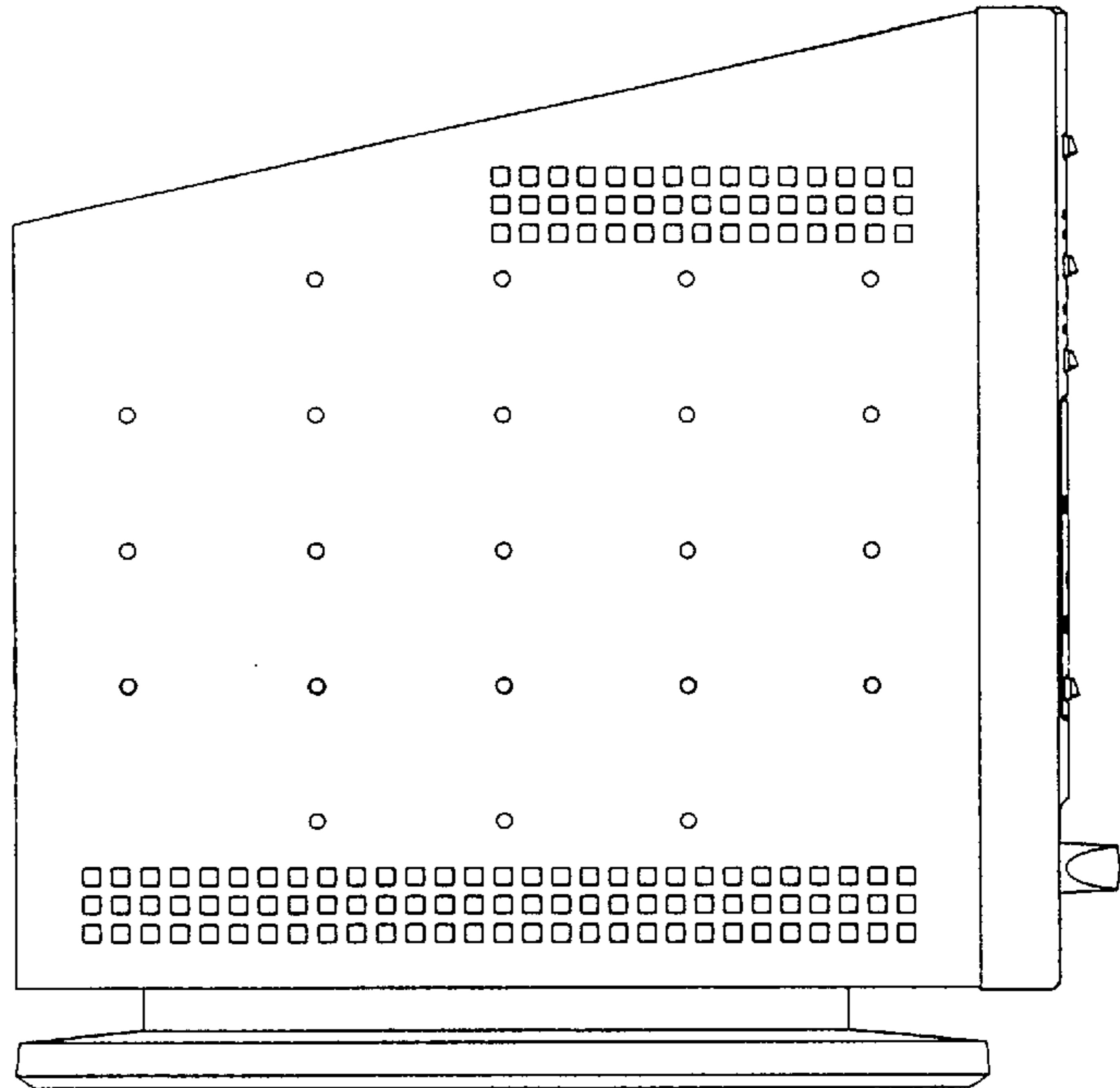


FIG. 7

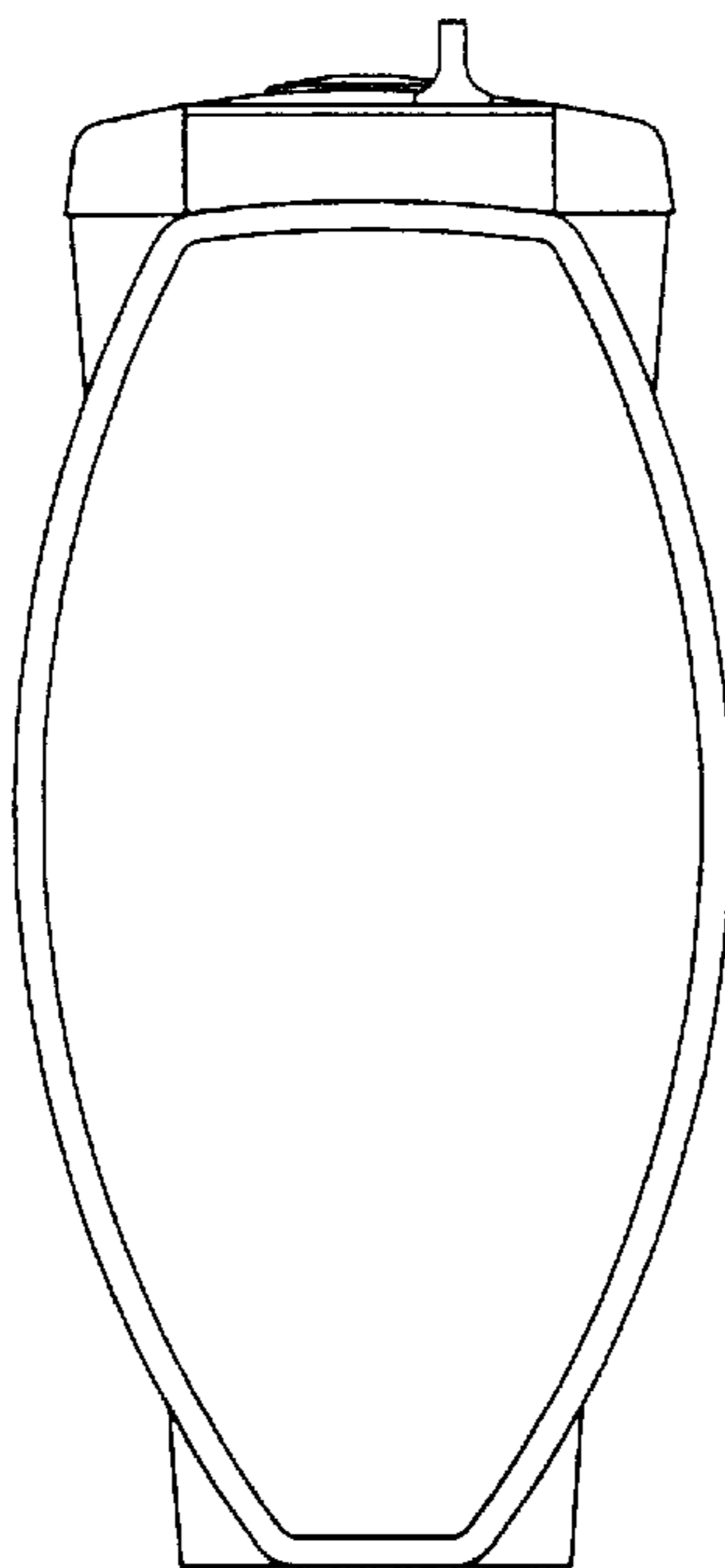


FIG. 8

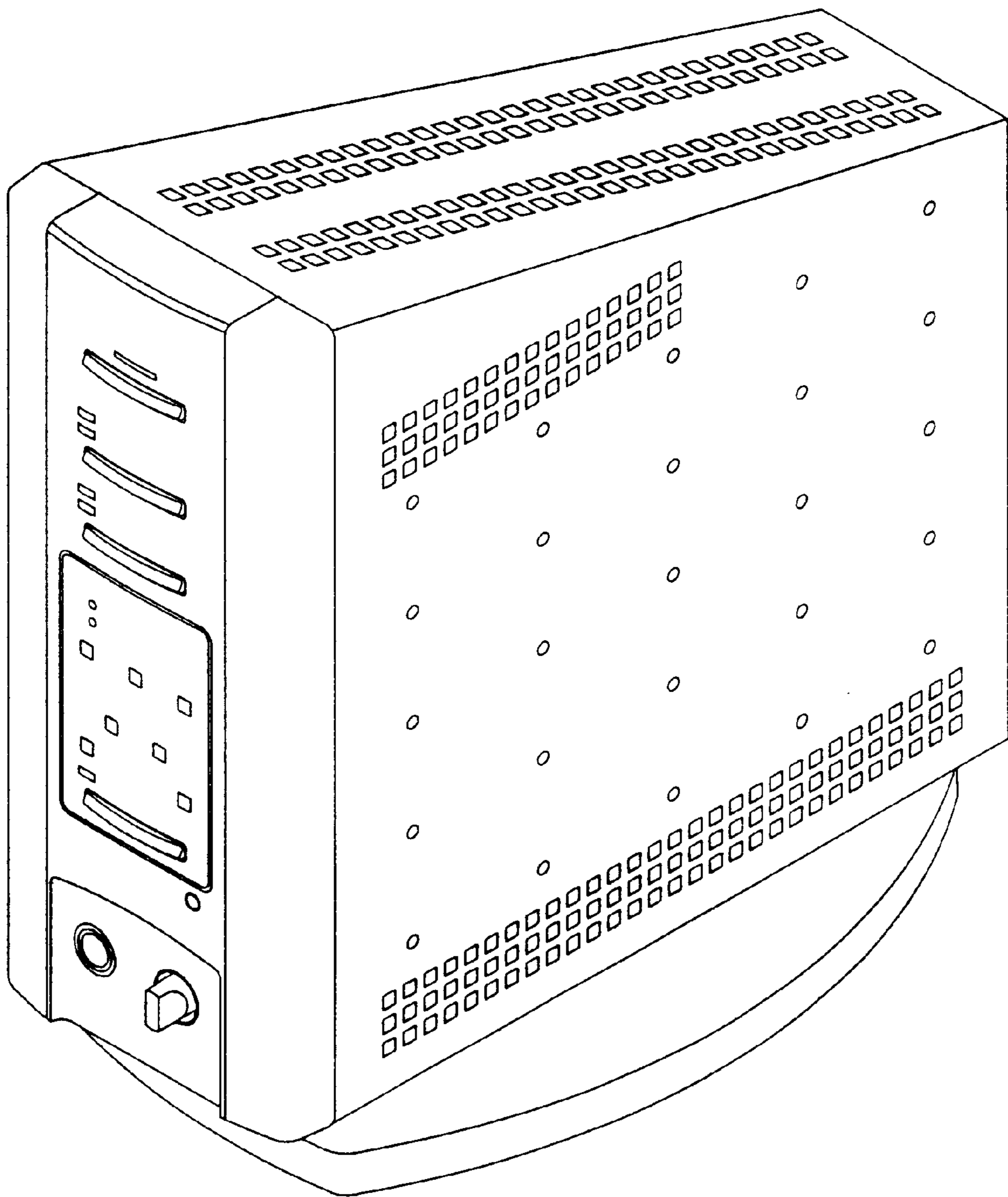


FIG. 9

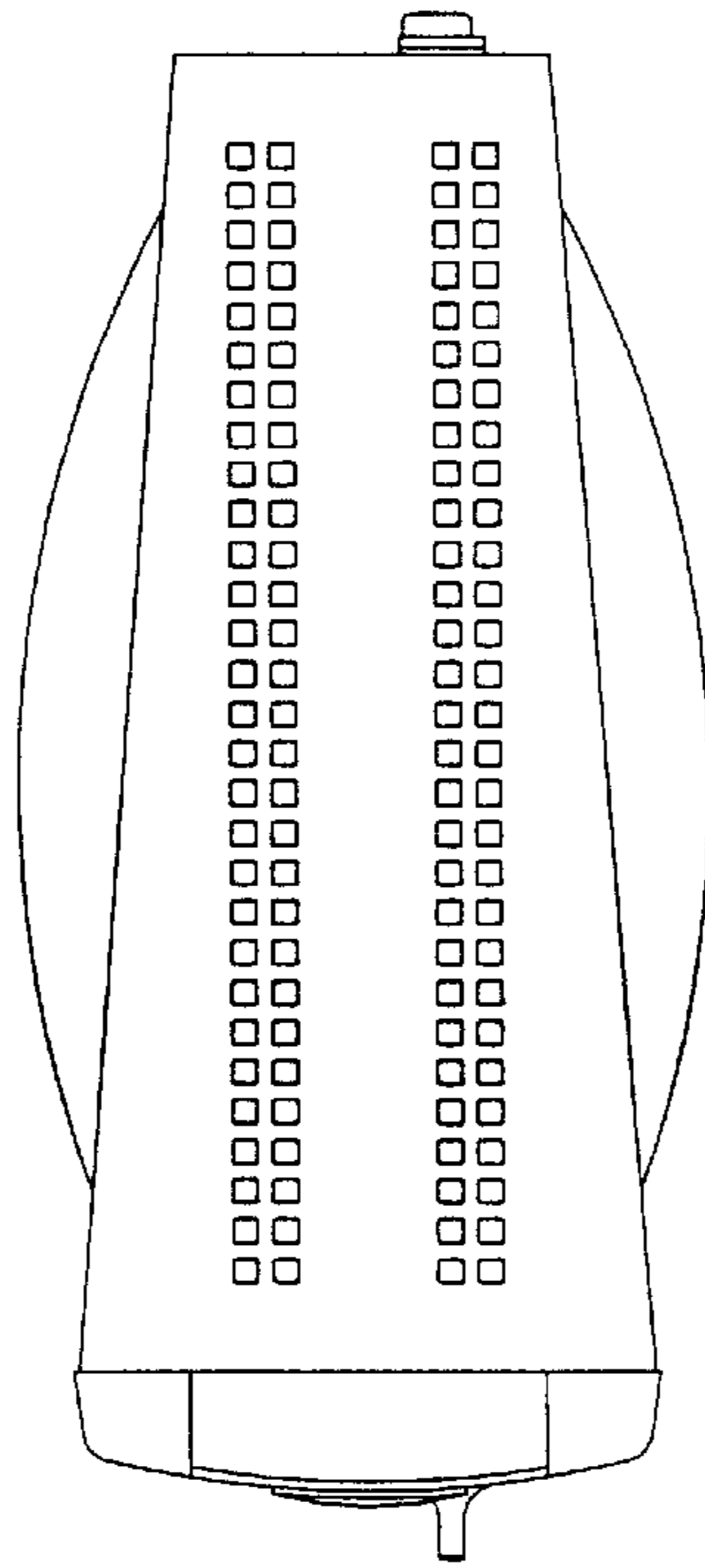


FIG. 10

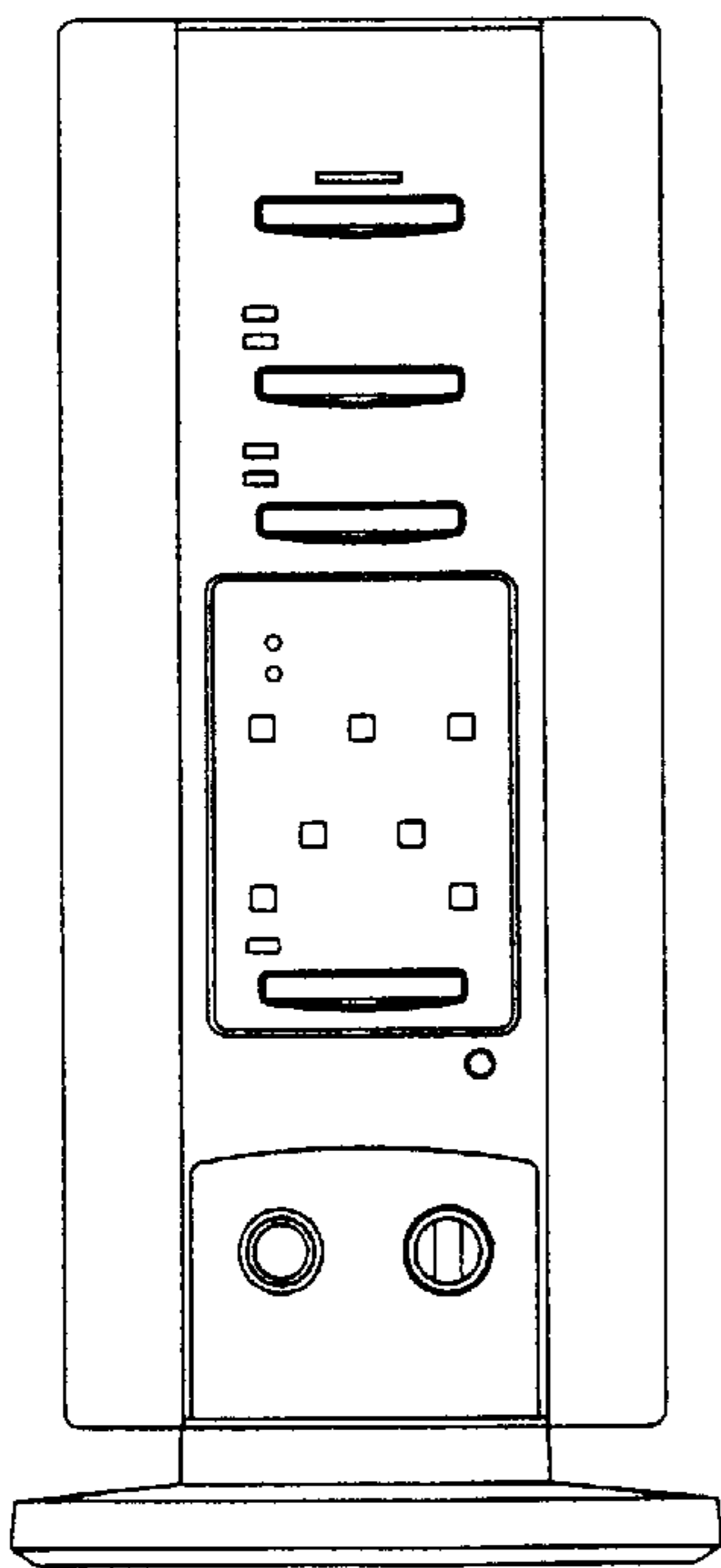


FIG. 11

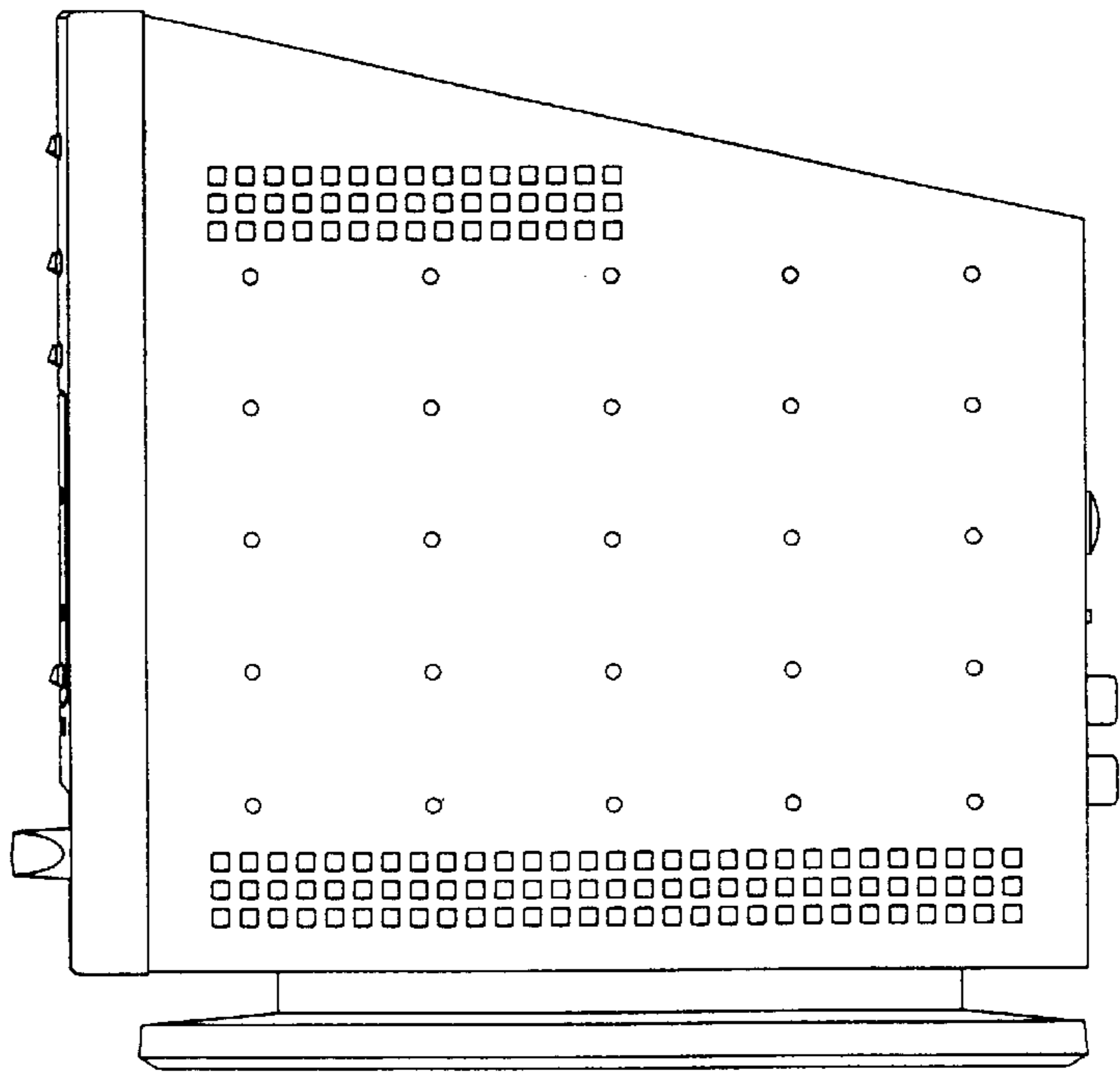


FIG. 12

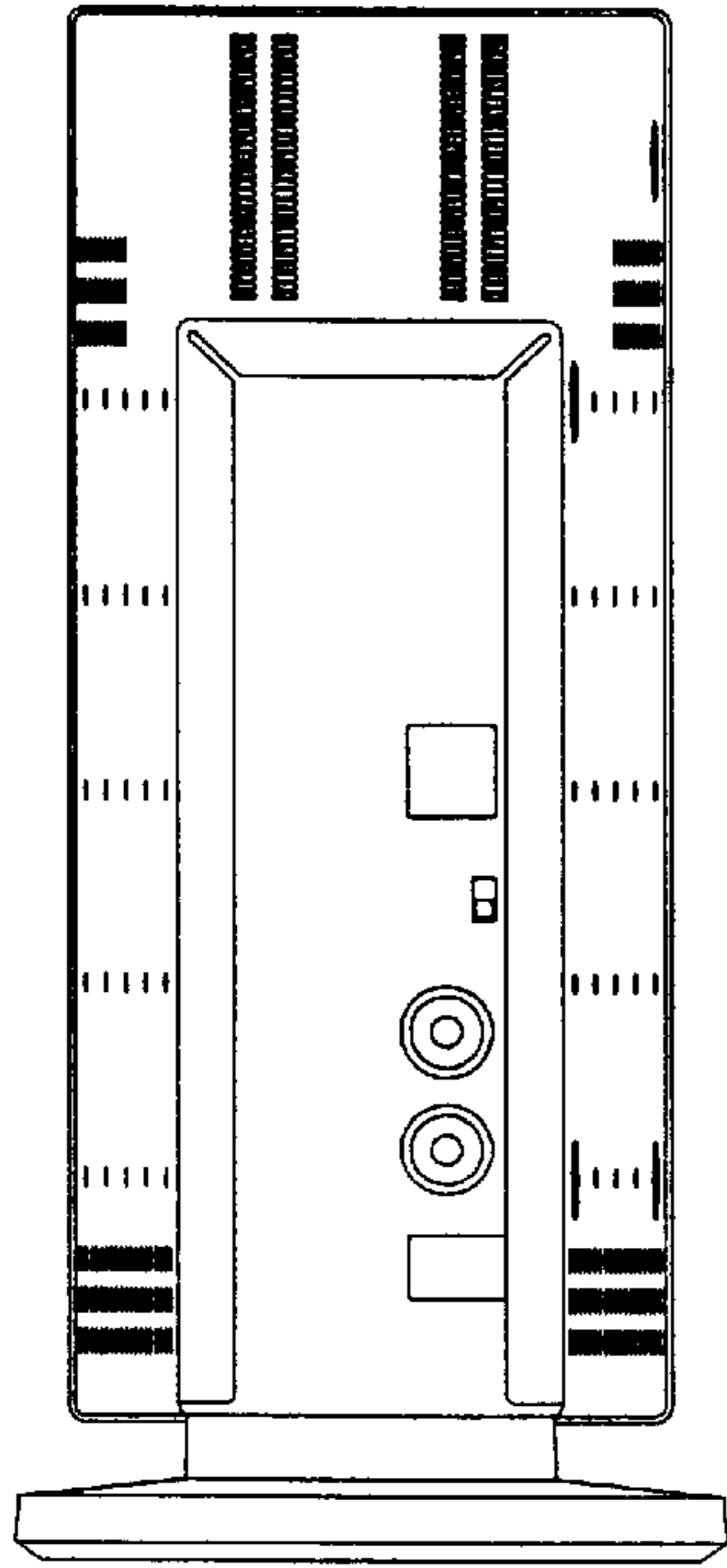


FIG. 13

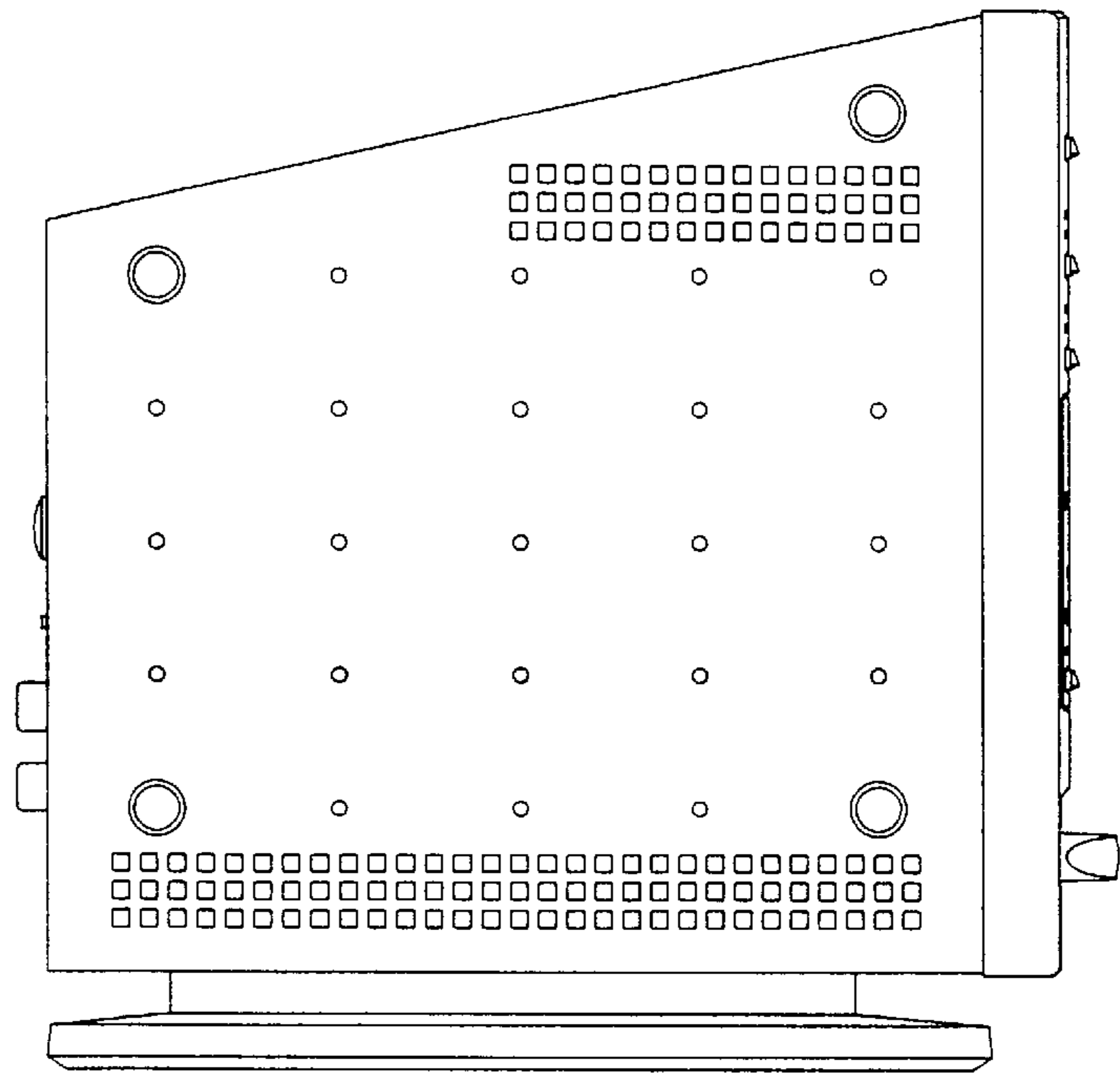


FIG. 14

