



US00D448767B1

(12) **United States Design Patent**
Girtz

(10) **Patent No.:** **US D448,767 S**

(45) **Date of Patent:** **** Oct. 2, 2001**

(54) **DATA VAULT**

D. 157,327 * 2/1950 Benjamin D14/133

(75) Inventor: **Thomas B. Girtz**, Pierz, MN (US)

* cited by examiner

(73) Assignee: **RTVision, Inc.**, Pierz, MN (US)

Primary Examiner—Freda Nunn

(**) Term: **14 Years**

(74) *Attorney, Agent, or Firm*—Rider, Bennett, Egan & Arundel

(21) Appl. No.: **29/133,827**

(57) **CLAIM**

(22) Filed: **Dec. 7, 2000**

The ornamental design for a data vault, as shown and described.

(51) **LOC (7) Cl.** **14-02**

DESCRIPTION

(52) **U.S. Cl.** **D14/356**

FIG. 1 is a perspective view showing my new design;

(58) **Field of Search** D14/348, 133,
D14/356, 363–365; D13/162, 184, 199;
D10/10; 312/223.1–223.3; 360/99.12; 369/34,
36; 361/690–696

FIG. 2 is an elevational view;

FIG. 3 is a top plan view;

FIG. 4 is an elevational view;

FIG. 5 is an elevational view; and,

FIG. 6 is a bottom plan view.

(56) **References Cited**

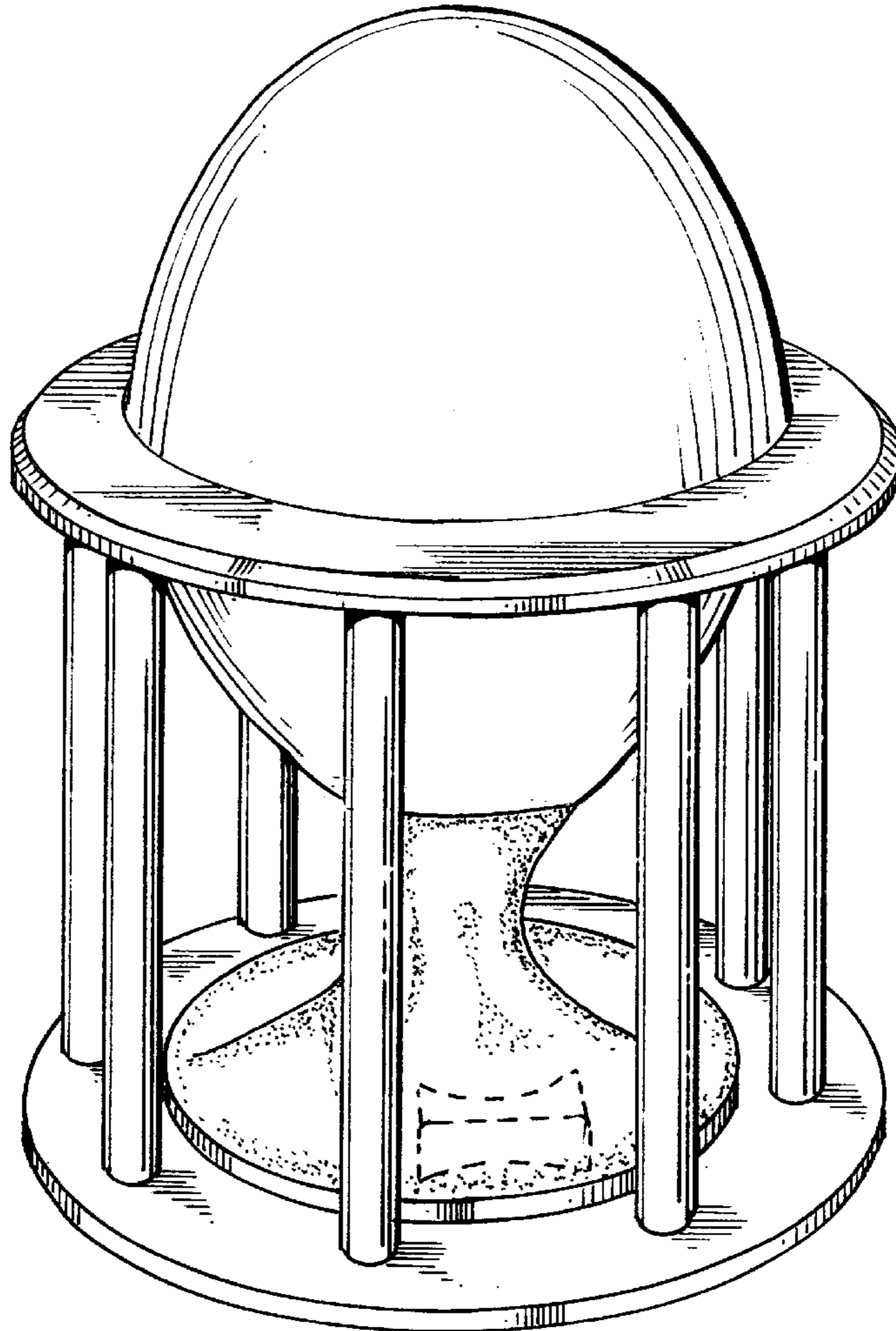
The broken line drawings of an electrical connector are for illustrative purposes only and form no part of the claimed design.

U.S. PATENT DOCUMENTS

D. 102,697 * 1/1937 Mitchell D10/10

D. 114,264 * 4/1939 Gottlieb D10/10

1 Claim, 4 Drawing Sheets



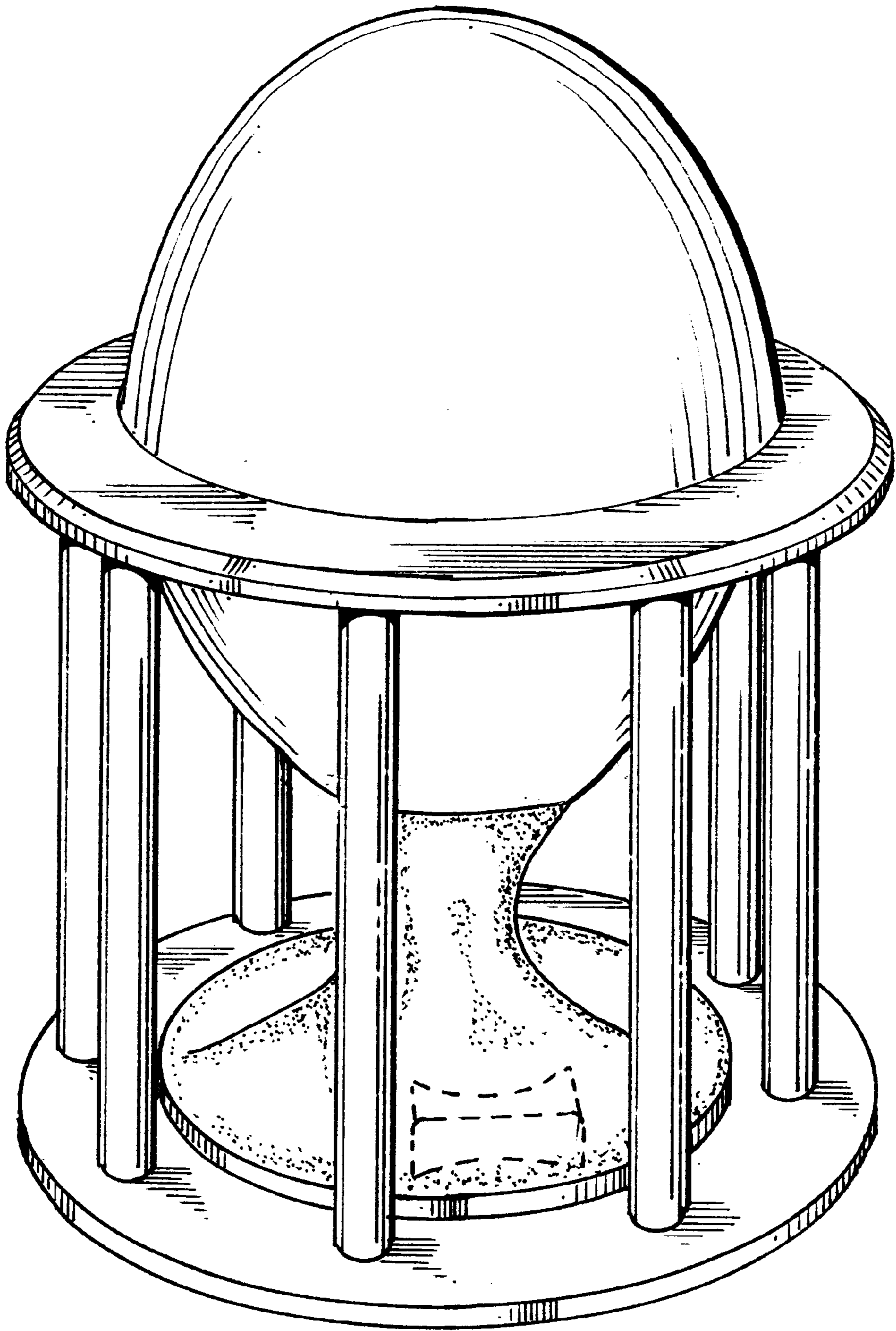


Fig. 1.

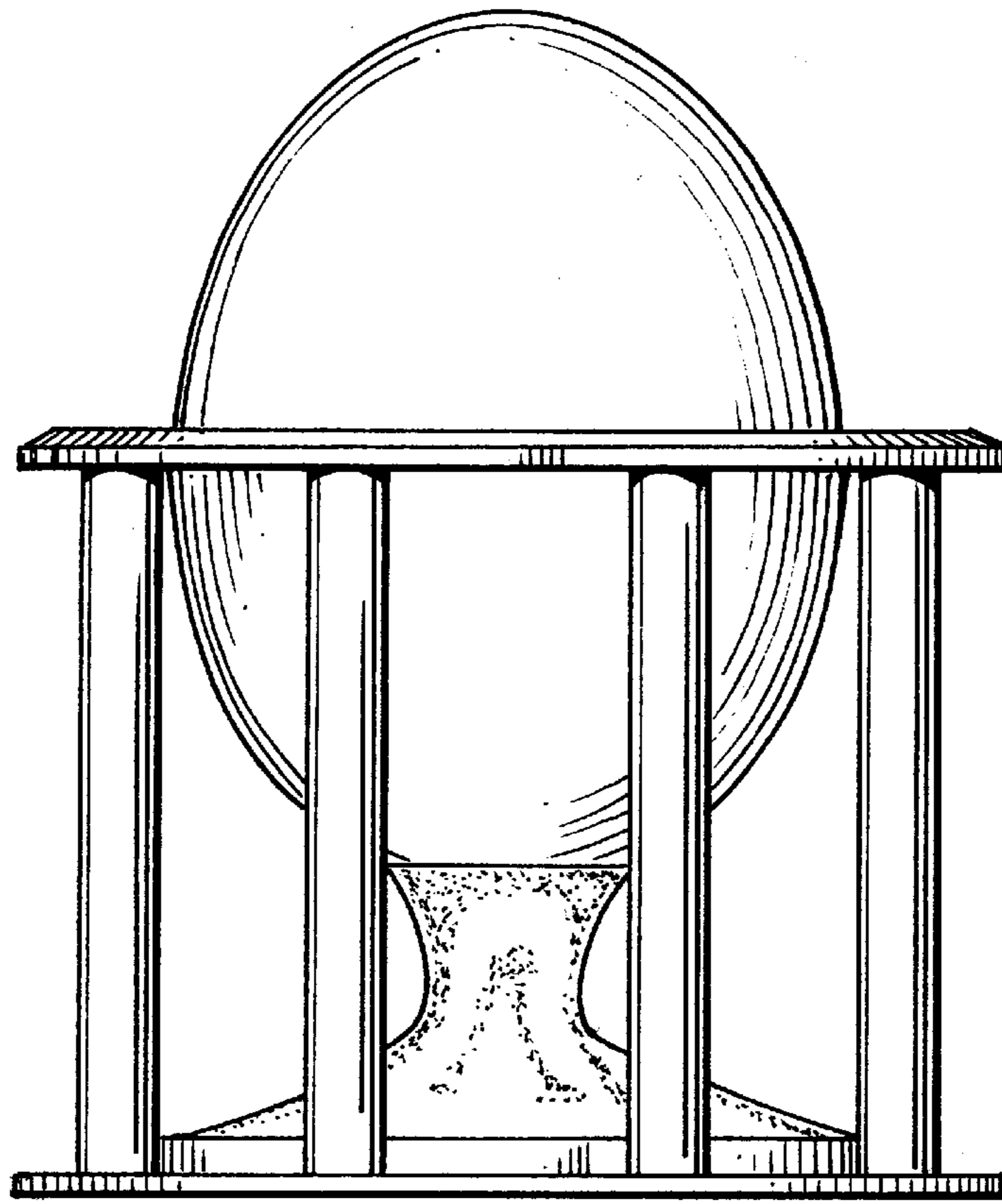


Fig. 2.

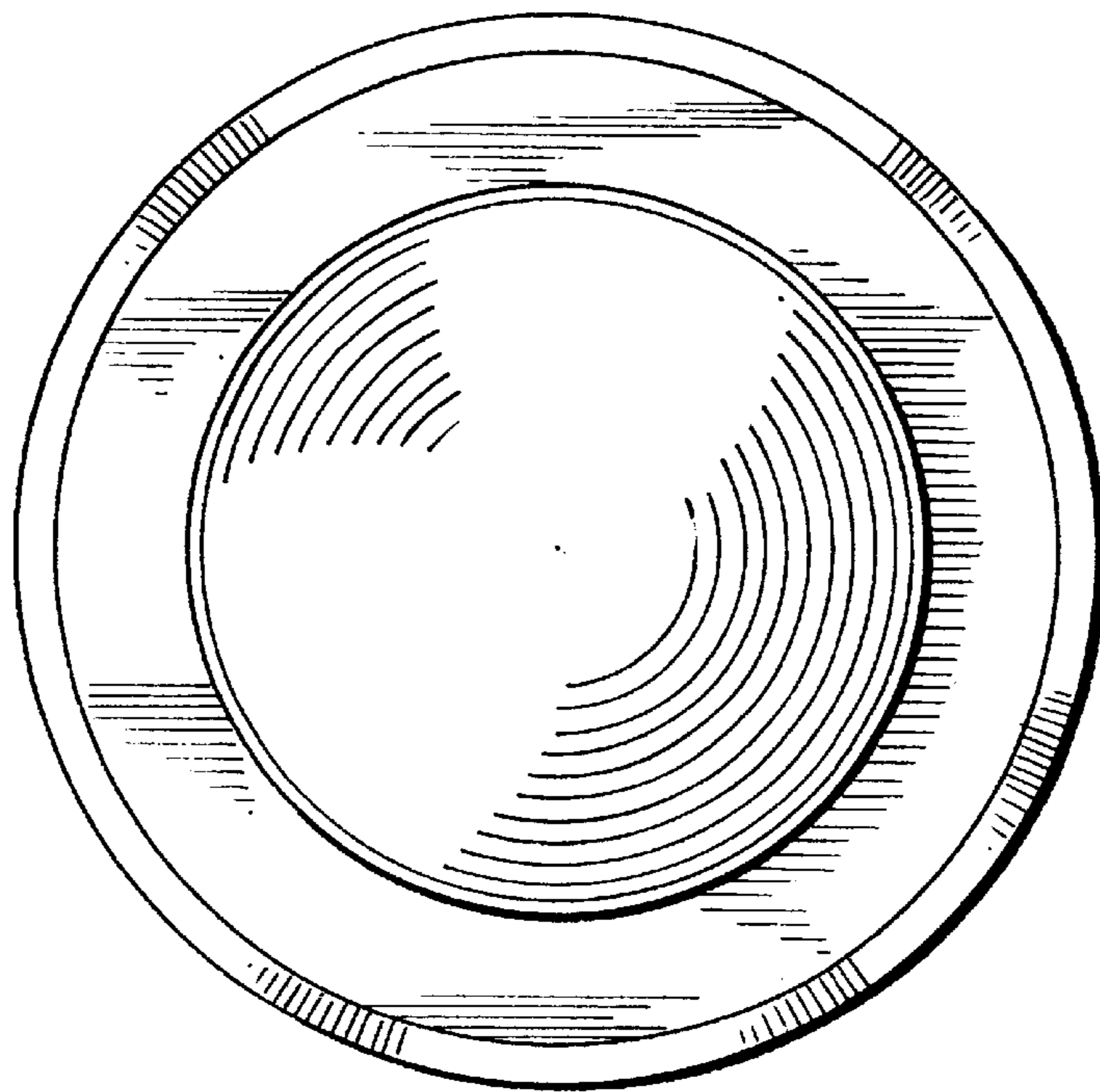


Fig. 3.

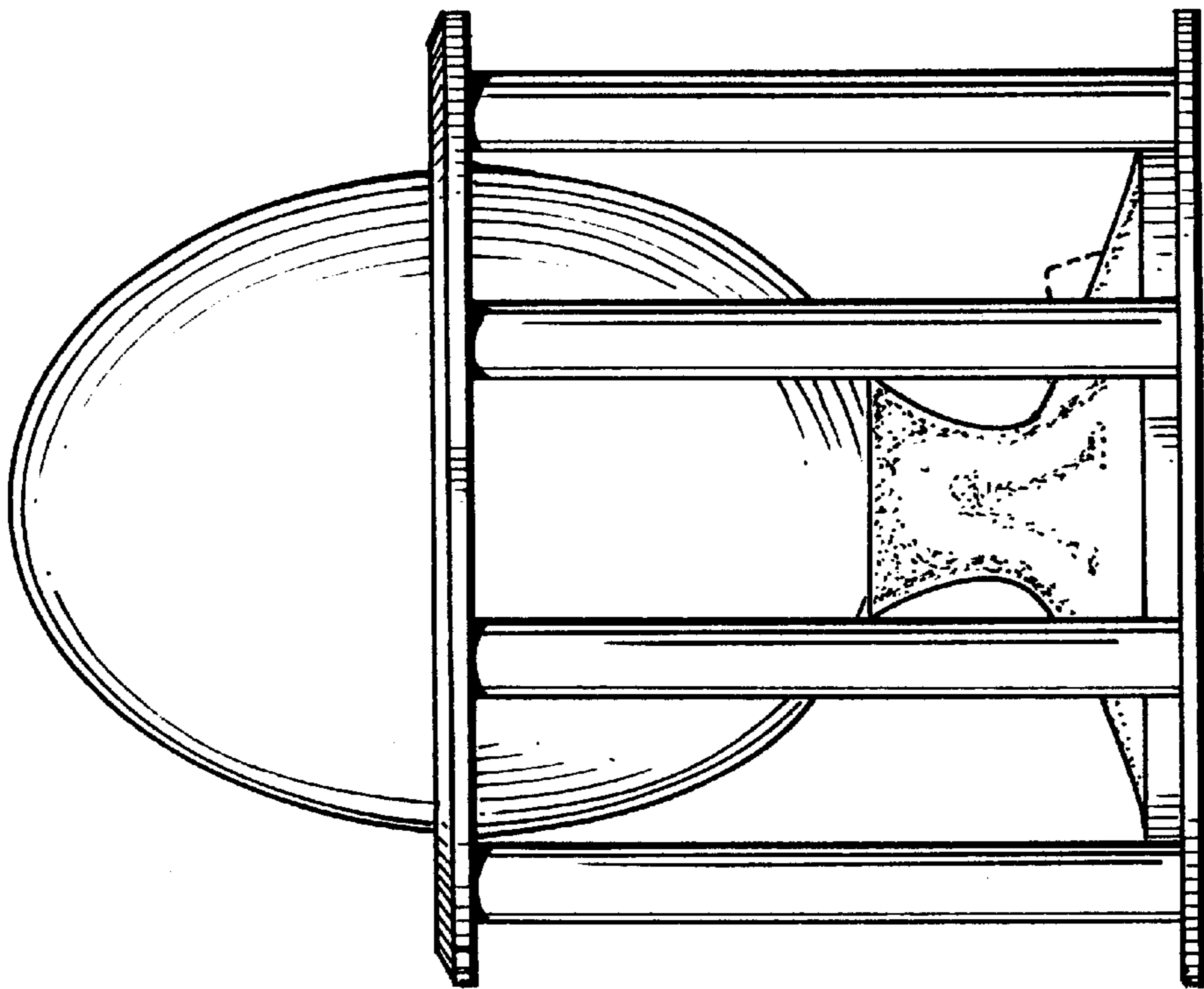


Fig. 5.

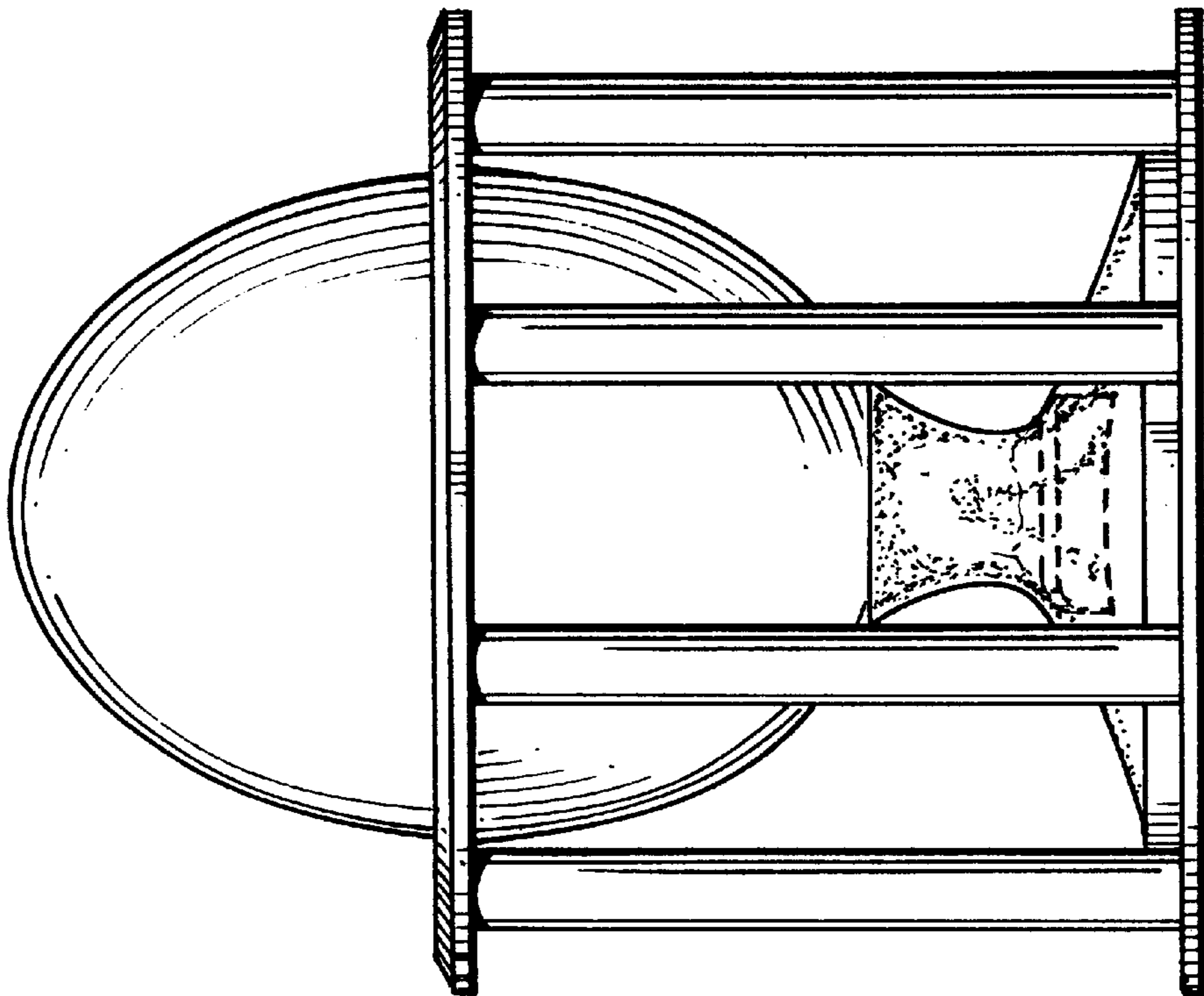


Fig. 4.

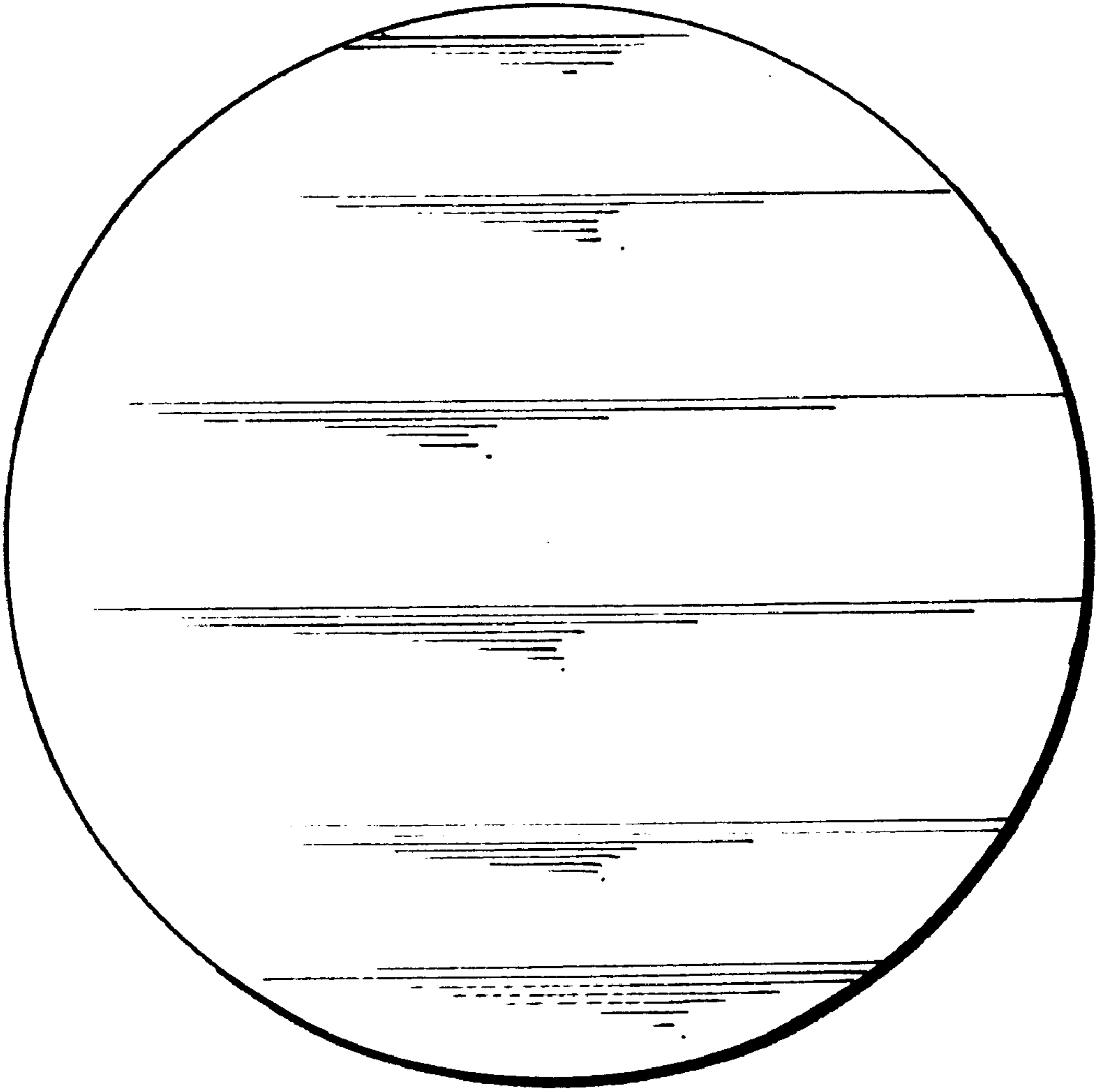


Fig. 6.