



US00D448765B1

(12) **United States Design Patent**  
**Cohen et al.**

(10) **Patent No.:** **US D448,765 S**

(45) **Date of Patent:** **\*\* Oct. 2, 2001**

(54) **DELIVERY INFORMATION ACQUISITION DEVICE**

D. 359,920 \* 7/1995 Sakamoto ..... D10/65  
D. 410,440 \* 6/1999 Carnell ..... D14/346  
5,964,830 \* 10/1999 Durrett ..... 709/200

(75) Inventors: **Joseph Cohen**, Alpharetta, GA (US);  
**Oren Mansour**, Ramat-Gan (IL); **Paul Metaxatos**, West Hartford, CT (US);  
**Eli Margalit**; **Boaz Siman-Tov**, both of Tel Aviv (IL); **Robert Bruno**, Avon;  
**Frank Sterpka**, West Hartford, both of CT (US); **Paul Friedley**, New Freedom, PA (US); **Dave Salzman**, Alpharetta, GA (US)

\* cited by examiner

*Primary Examiner*—Freda Nunn  
(74) *Attorney, Agent, or Firm*—Alston & Bird LLP

(73) Assignee: **United Parcel Service of America, Inc.**, Atlanta, GA (US)

(57) **CLAIM**

The ornamental design for a delivery information acquisition device, as shown and described.

(\*\*) Term: **14 Years**

**DESCRIPTION**

(21) Appl. No.: **29/124,940**

FIG. 1 is a top perspective view of the delivery information acquisition device;  
FIG. 2 is another perspective view thereof;  
FIG. 3 is a top plan view thereof;  
FIG. 4 is a bottom plan view thereof;  
FIG. 5 is a left side elevational view thereof;  
FIG. 6 is a right side elevational view thereof;  
FIG. 7 is a top end elevational view thereof;  
FIG. 8 is a bottom end elevational view thereof;  
FIG. 9 is a bottom perspective view thereof;  
FIG. 10 is another bottom perspective view thereof; and,  
FIG. 11 is an enlarged fragmented view of a portion of the bottom thereof.

(22) Filed: **Jun. 12, 2000**

(51) **LOC (7) Cl.** ..... **14-02**

(52) **U.S. Cl.** ..... **D14/346; D14/341; D14/342**

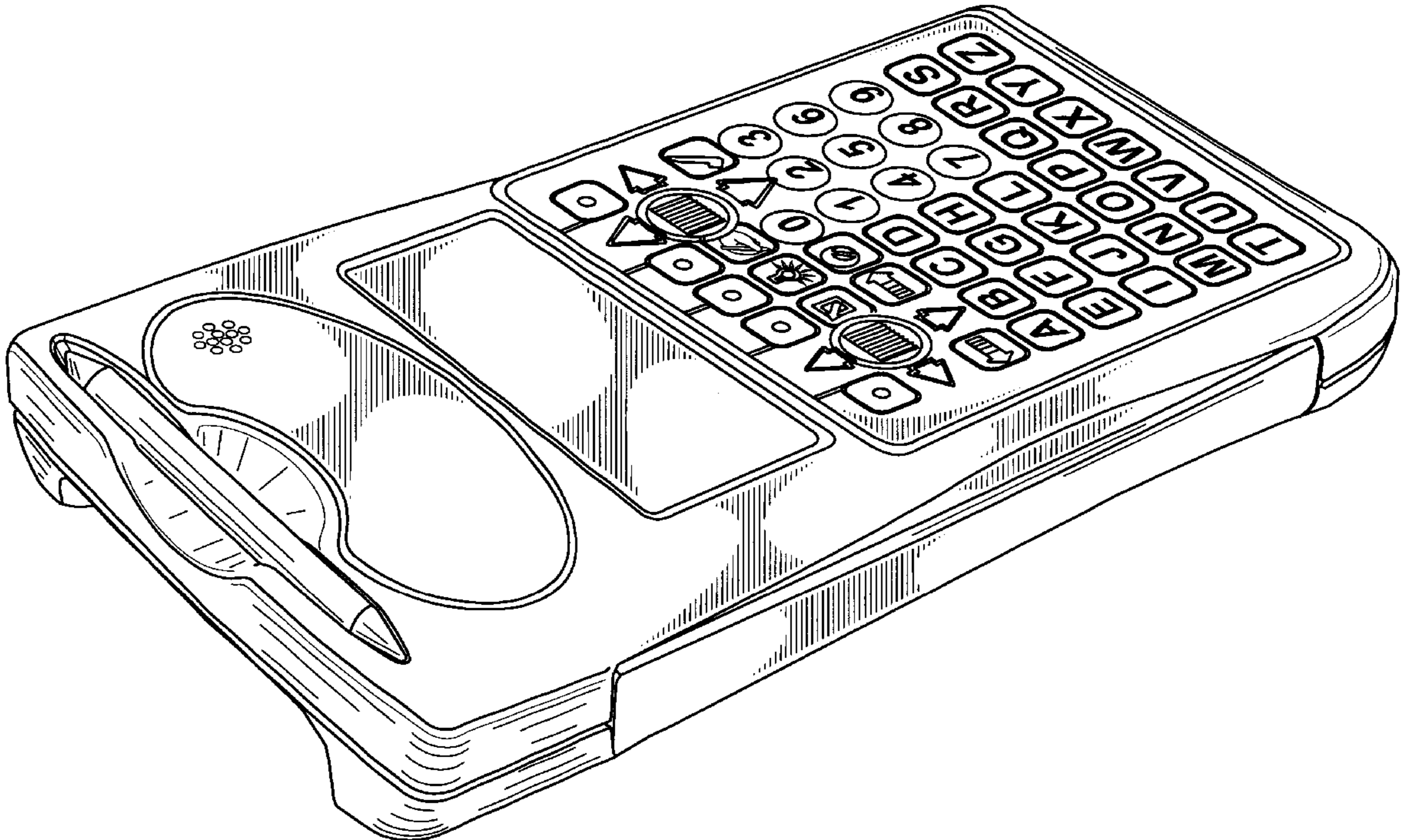
(58) **Field of Search** ..... D14/341-347;  
D18/1, 2, 7; D10/65; 235/145 A, 145 R;  
341/22, 23; 345/156, 168, 169, 172, 173,  
87; 361/680-686; 349/12; 709/200

(56) **References Cited**

**U.S. PATENT DOCUMENTS**

D. 313,401 \* 1/1991 Tanabe ..... D14/346

**1 Claim, 9 Drawing Sheets**



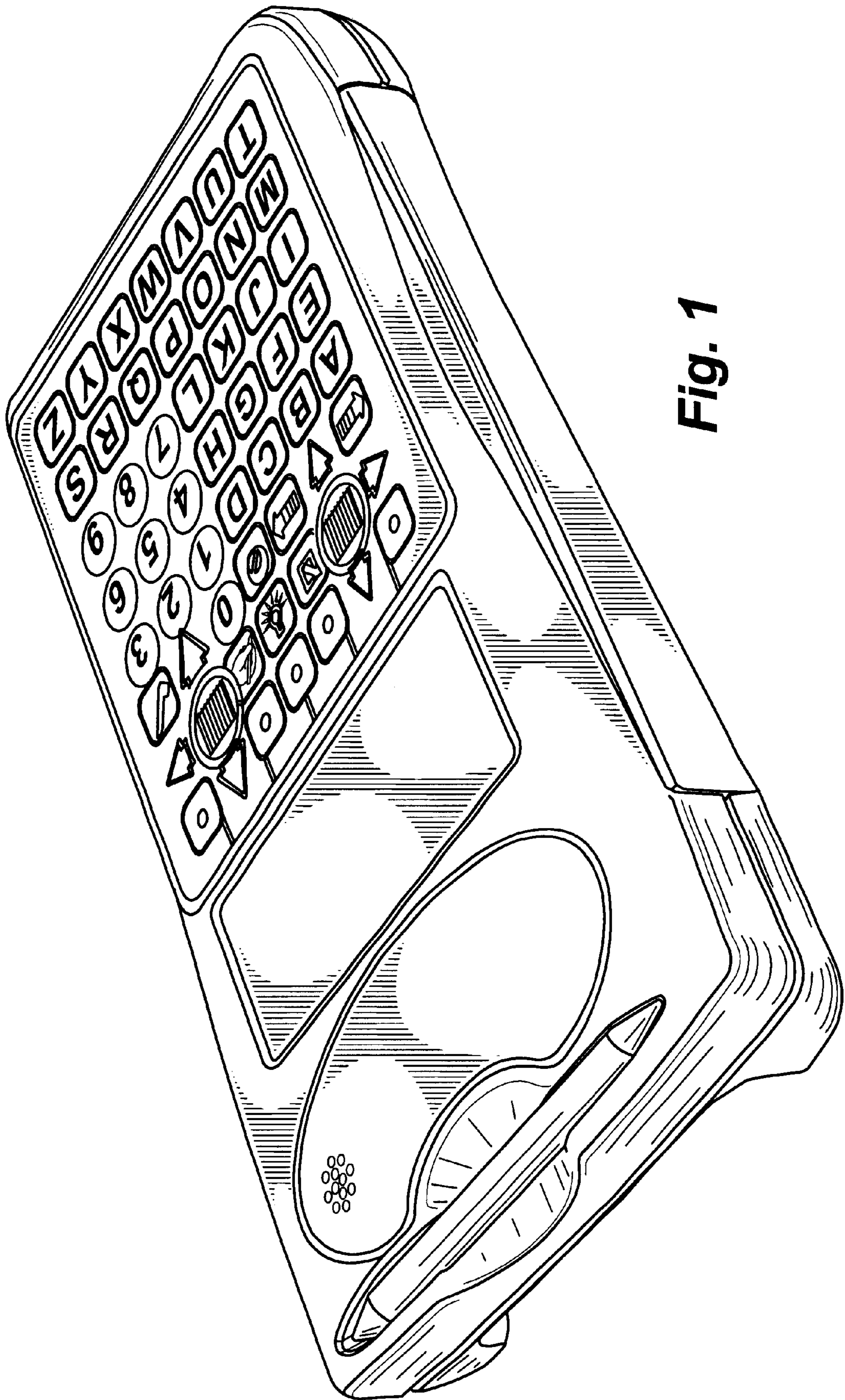


Fig. 1



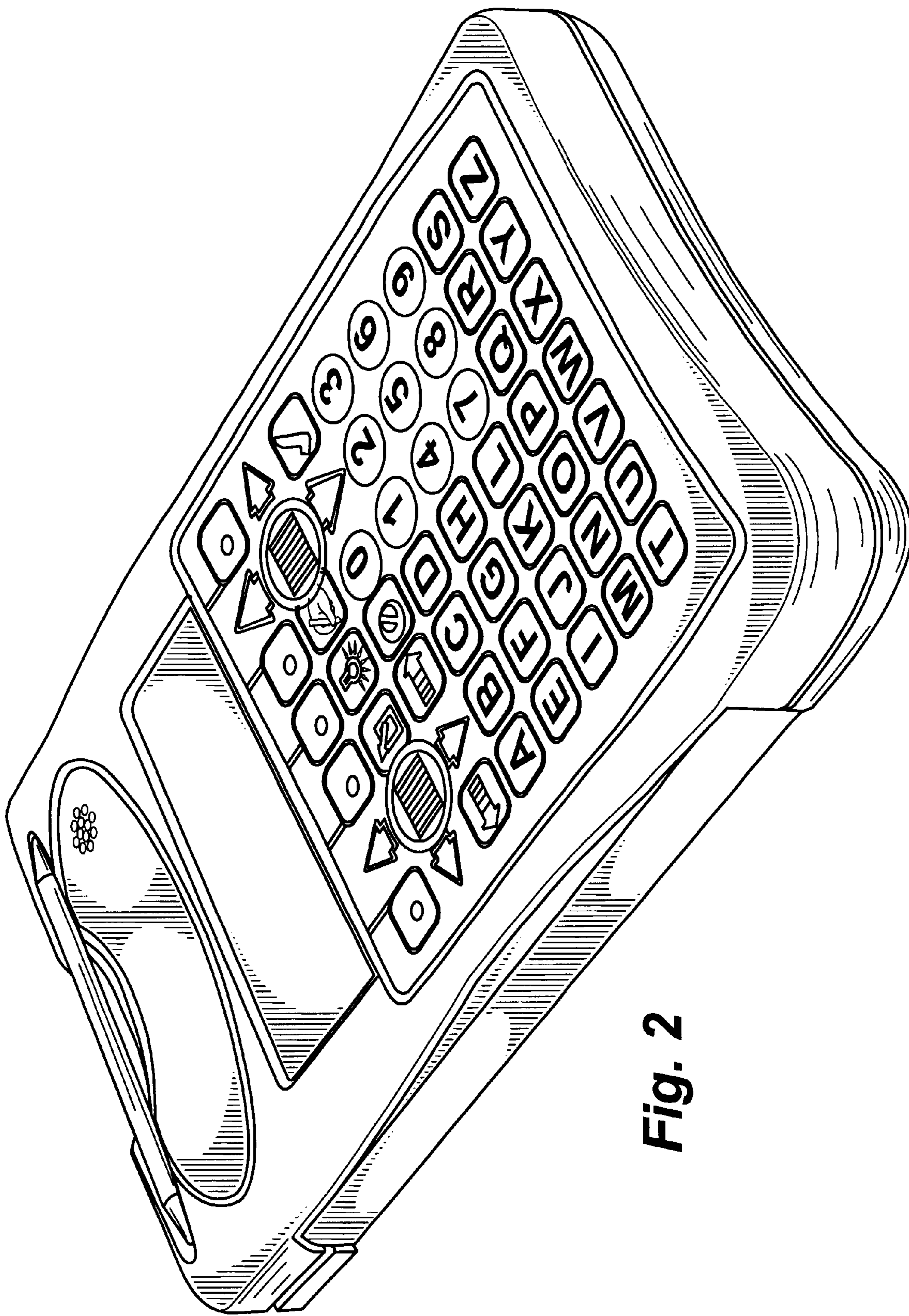
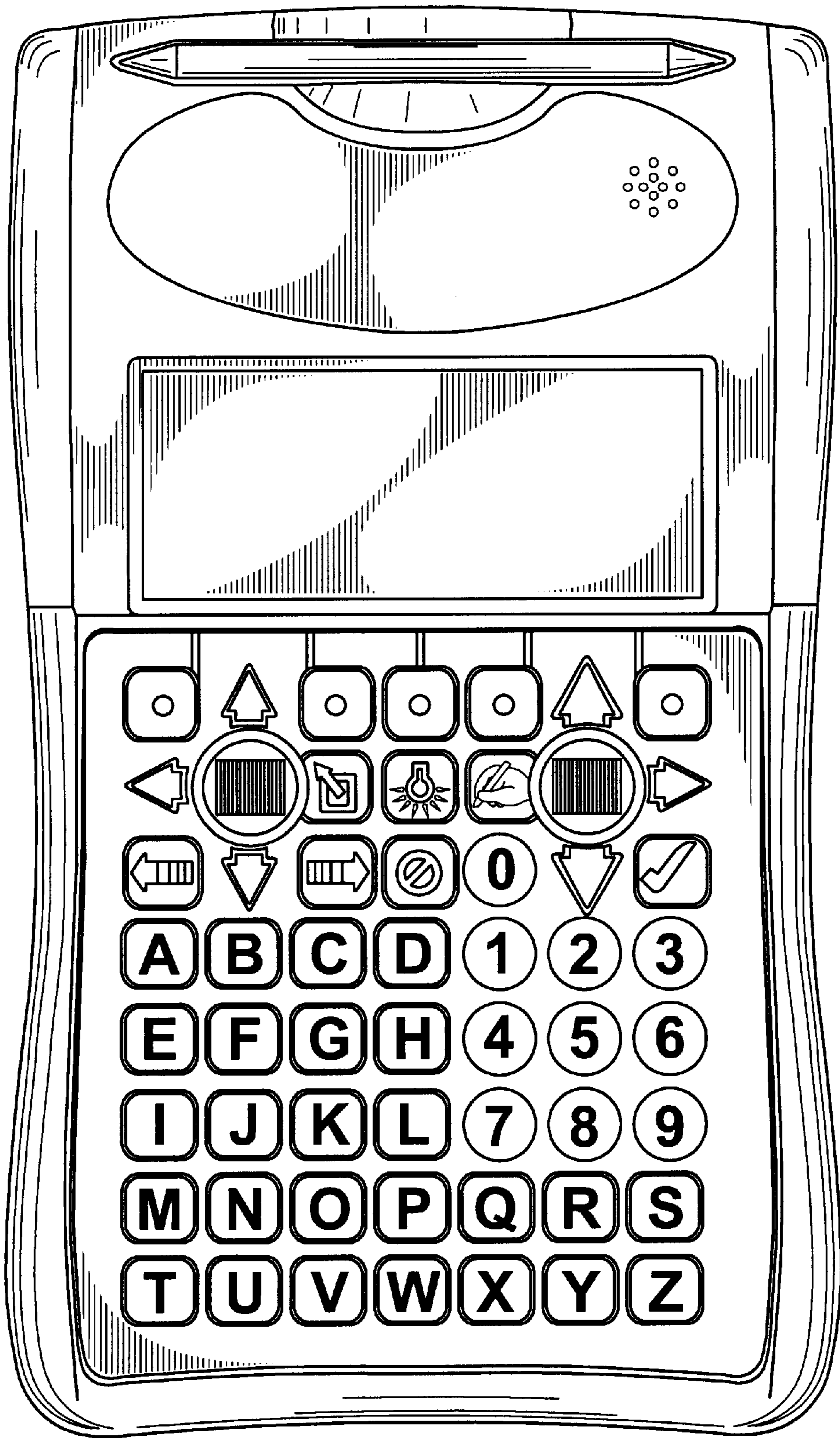
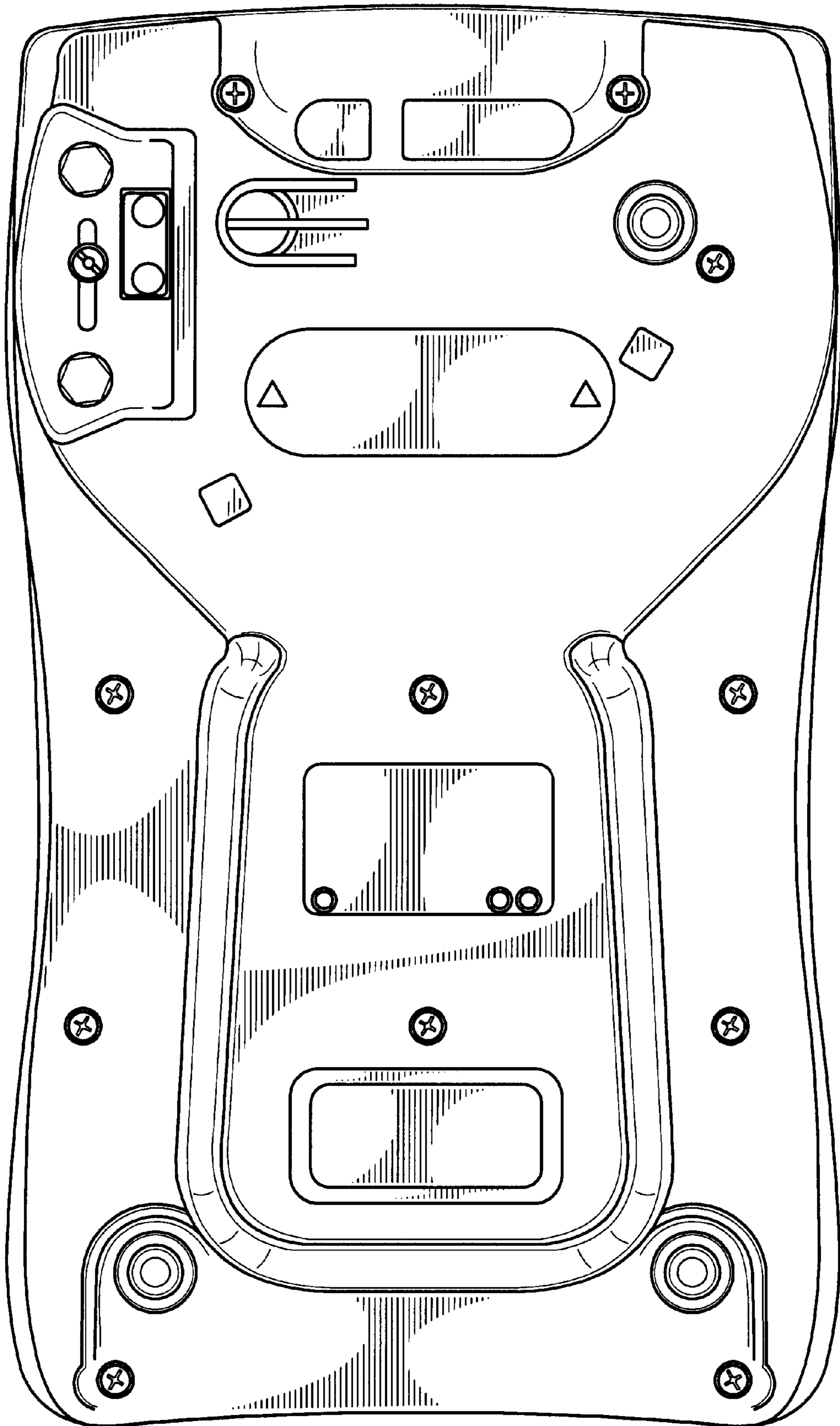


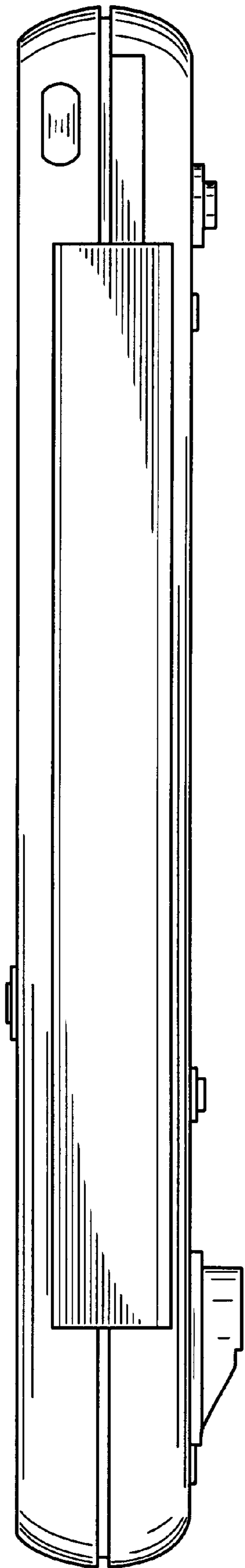
Fig. 2



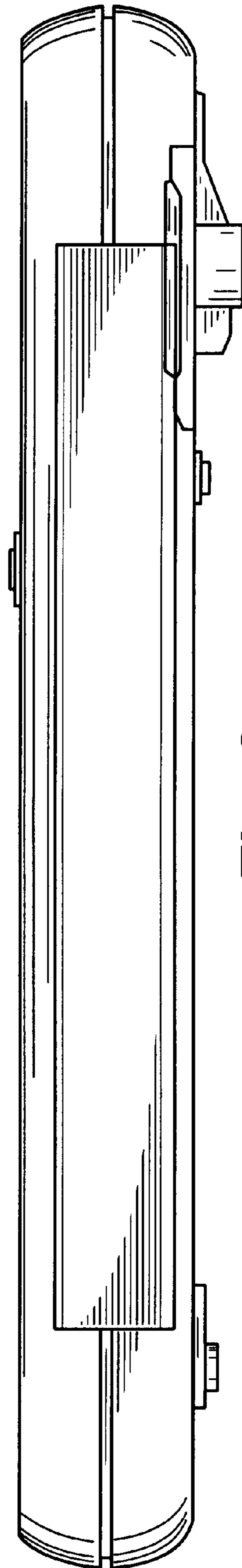
**Fig. 3**



**Fig. 4**



**Fig. 5**

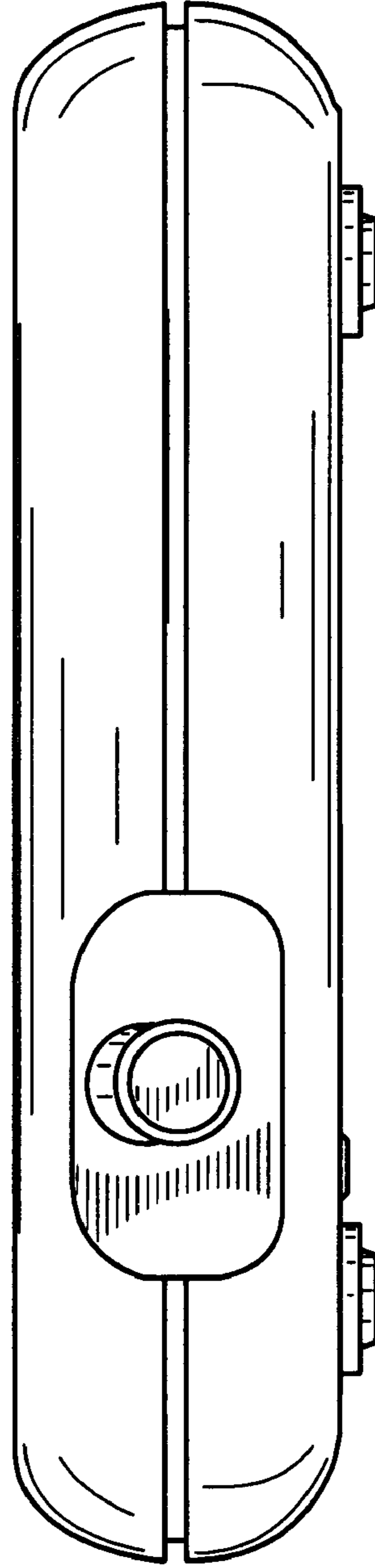


**Fig. 6**





**Fig. 7**



**Fig. 8**

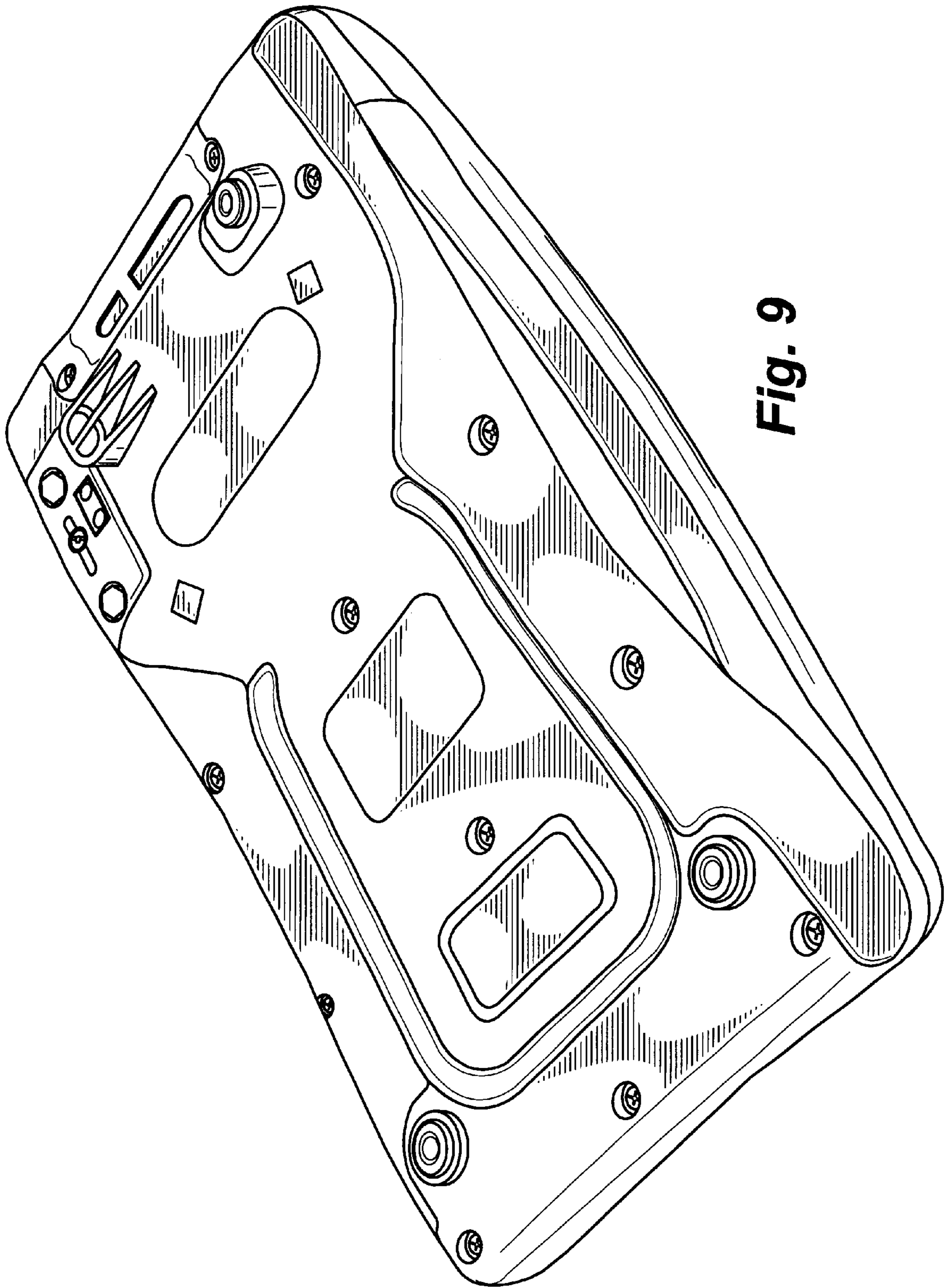


Fig. 9



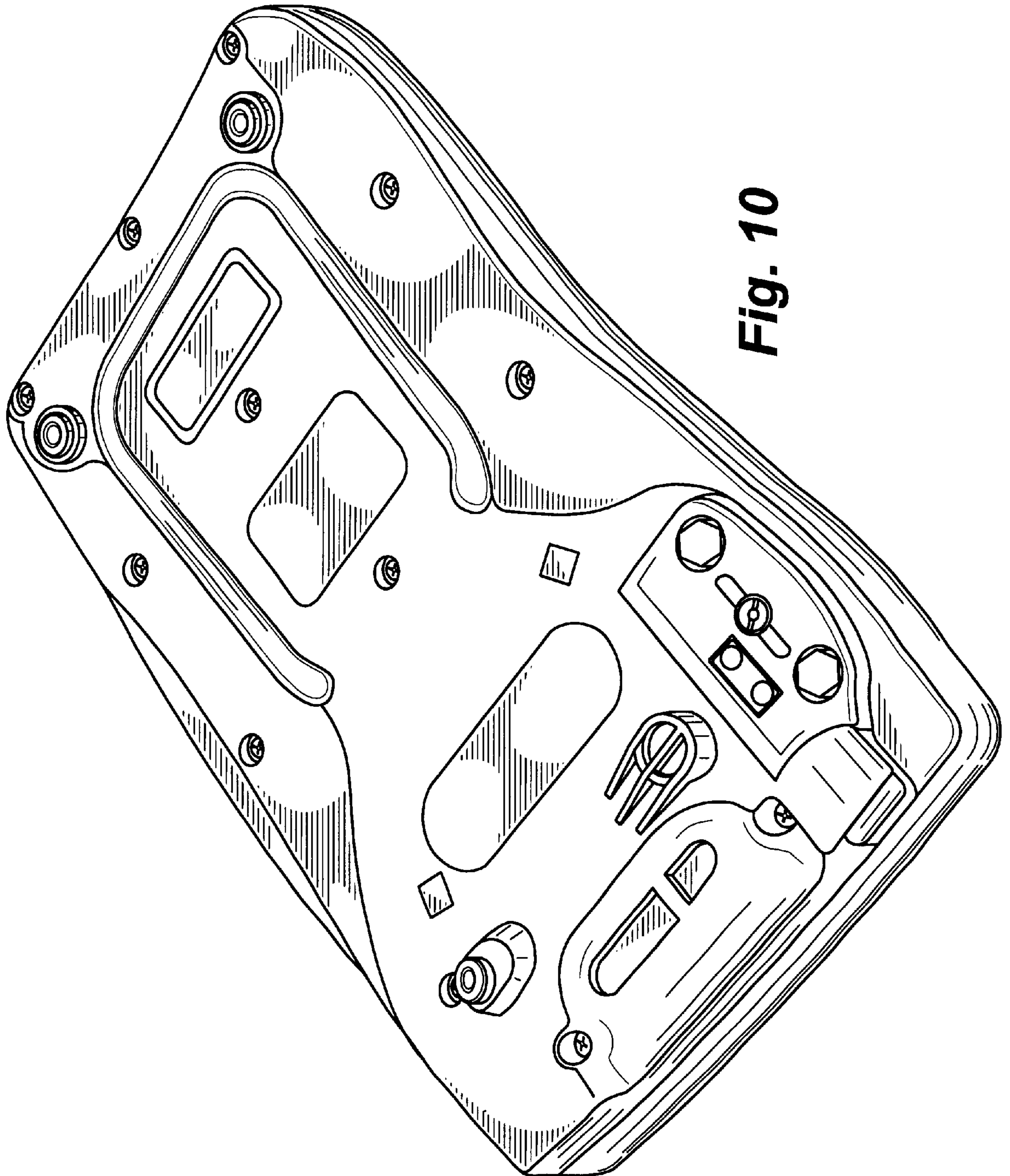
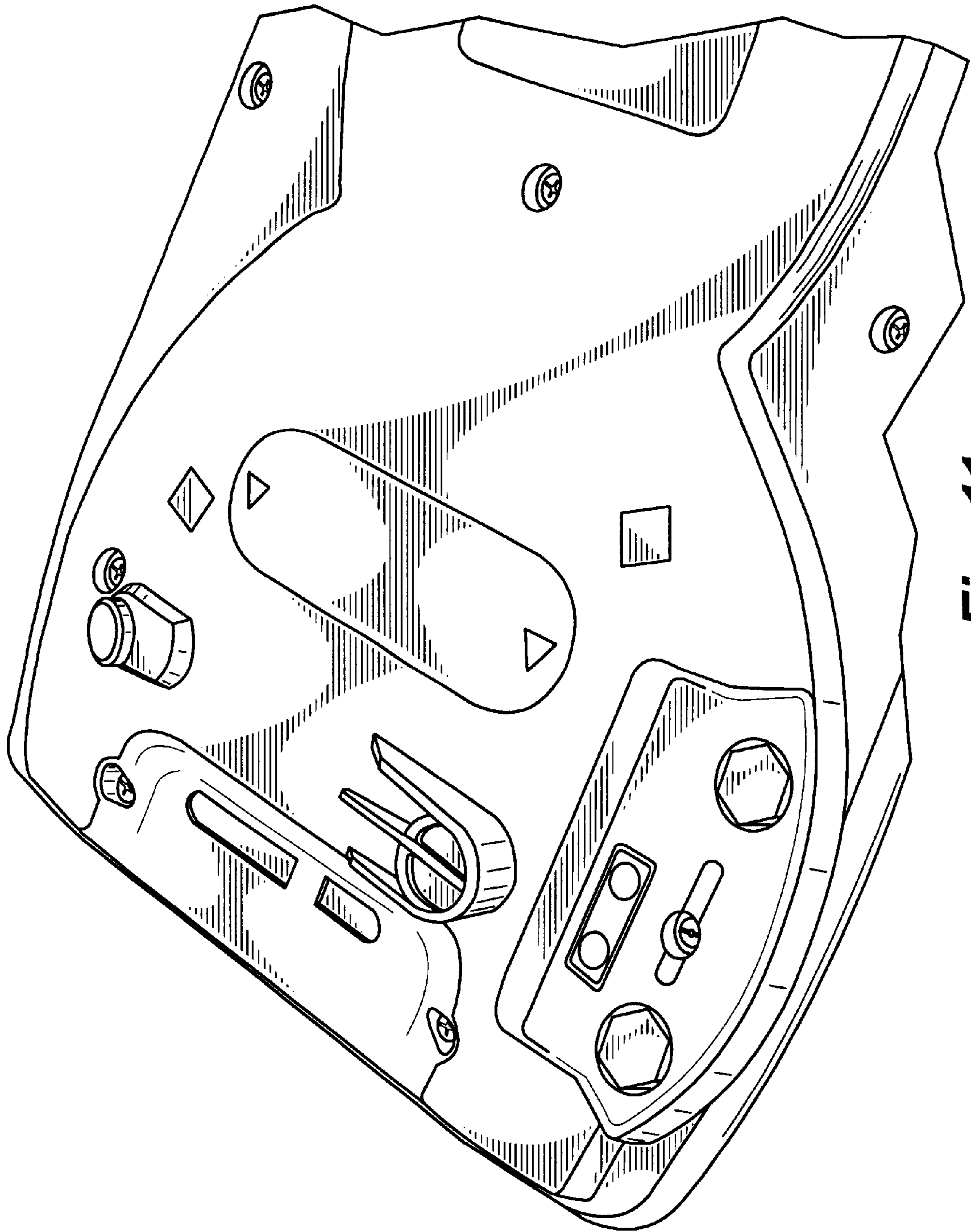


Fig. 10



**Fig. 11**