



US00D448764B1

(12) **United States Design Patent**
Marsalka et al.

(10) **Patent No.:** **US D448,764 S**

(45) **Date of Patent:** **** Oct. 2, 2001**

(54) **COMBINATION TABLET NOTEBOOK
COMPUTER**

5,657,459 * 8/1997 Yanagisawa et al. 395/326

* cited by examiner

(75) Inventors: **Joseph P. Marsalka**, Columbus;
Douglas W. Bardwell, Westerville;
Steven B. Lovering, Yellow Springs, all
of OH (US)

Primary Examiner—Freda Nunn

(74) *Attorney, Agent, or Firm*—Thomas S. Baker, Jr.

(73) Assignee: **Comel, Inc.**, Columbus, OH (US)

(57) **CLAIM**

The ornamental design for a combination tablet notebook
computer, as shown and described.

(**) Term: **14 Years**

DESCRIPTION

(21) Appl. No.: **29/134,188**

FIG. 1 is a perspective view of the combination tablet notebook
computer of the instant invention showing the
tablet side thereof;

(22) Filed: **Dec. 15, 2000**

FIG. 2 is a front view of the combination tablet notebook
computer of the instant invention;

(51) **LOC (7) Cl.** **14-02**

(52) **U.S. Cl.** **D14/345; D14/322; D14/341**

FIG. 3 is a top view of the combination tablet notebook
computer of the subject invention;

(58) **Field of Search** **D14/341, 345,**

D14/315, 322, 336; D18/1, 2, 7; D19/26,

59, 60; 235/145 A, 145 R; 341/22, 23;

345/104, 156, 168-169, 173; 361/680-686;

349/12

FIG. 4 is a rear view of the combination tablet notebook
computer of the subject invention;

FIG. 5 is a left side view of the combination tablet notebook
computer of the instant invention with the right side view
being a mirror image thereof; and,

FIG. 6 is a bottom view of the combination tablet notebook
computer of the instant invention.

The broken lines are shown in the views for illustrative
purposes only and form no part of the claimed design.

(56) **References Cited**

U.S. PATENT DOCUMENTS

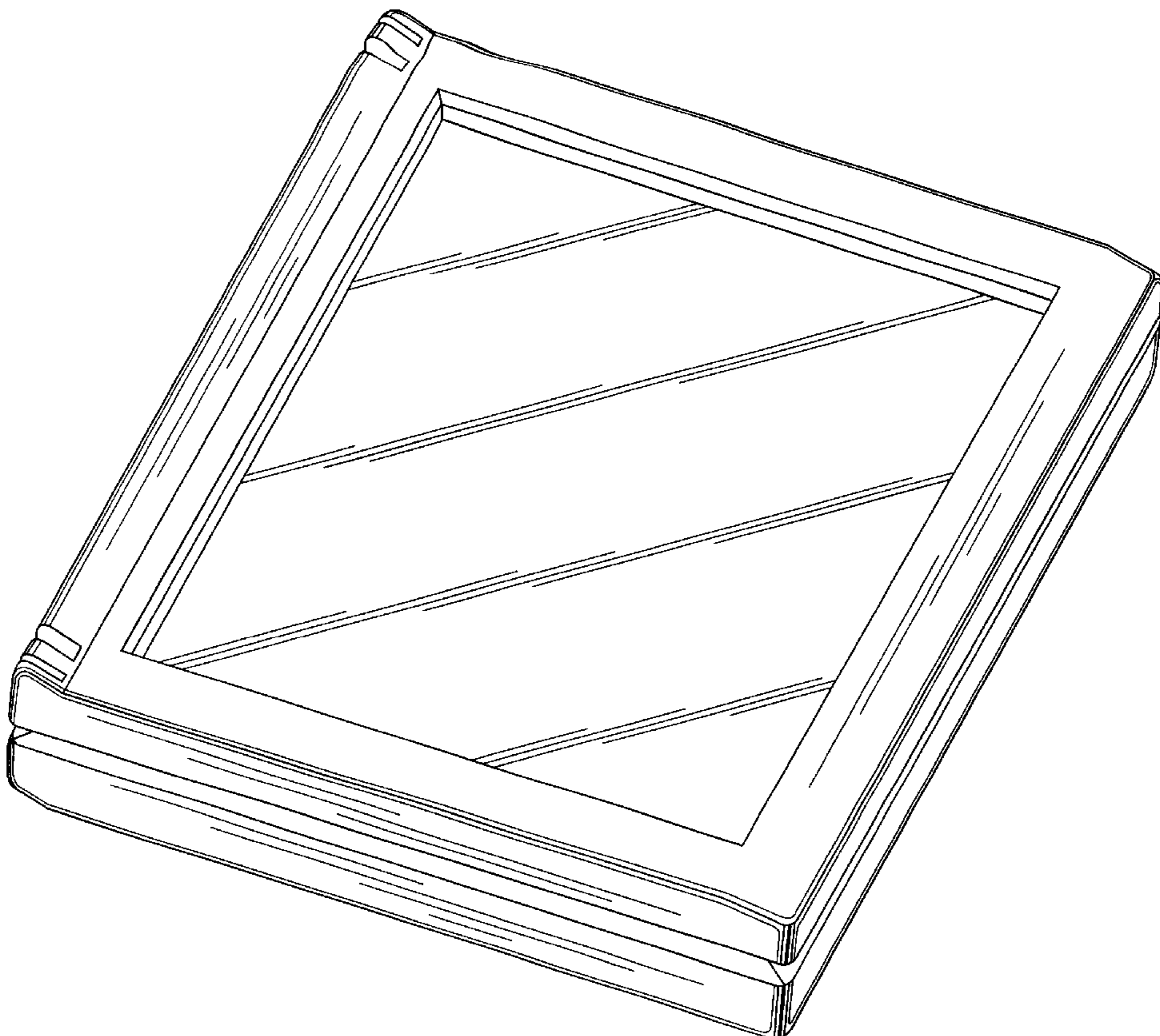
D. 355,170 * 2/1995 Mizusugi et al. D14/336

D. 359,306 * 6/1995 Lande et al. D14/345 X

D. 395,639 * 6/1998 Ham et al. D14/389

D. 399,526 * 10/1998 Brady D19/26

1 Claim, 3 Drawing Sheets



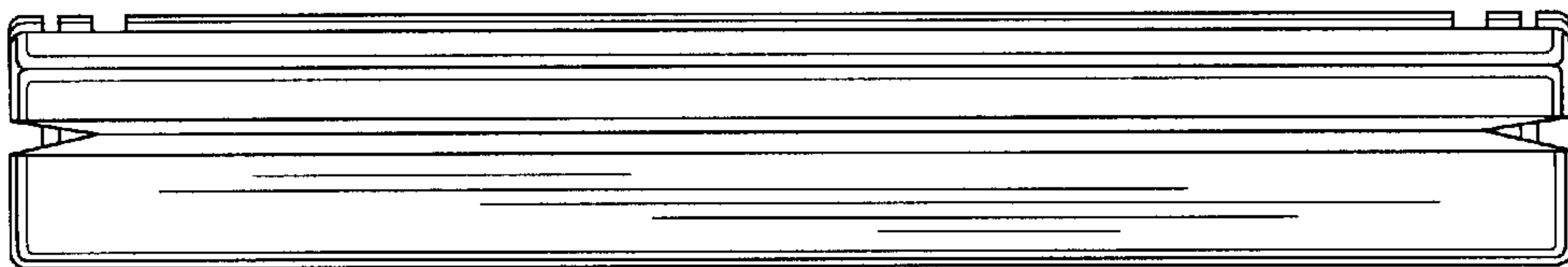
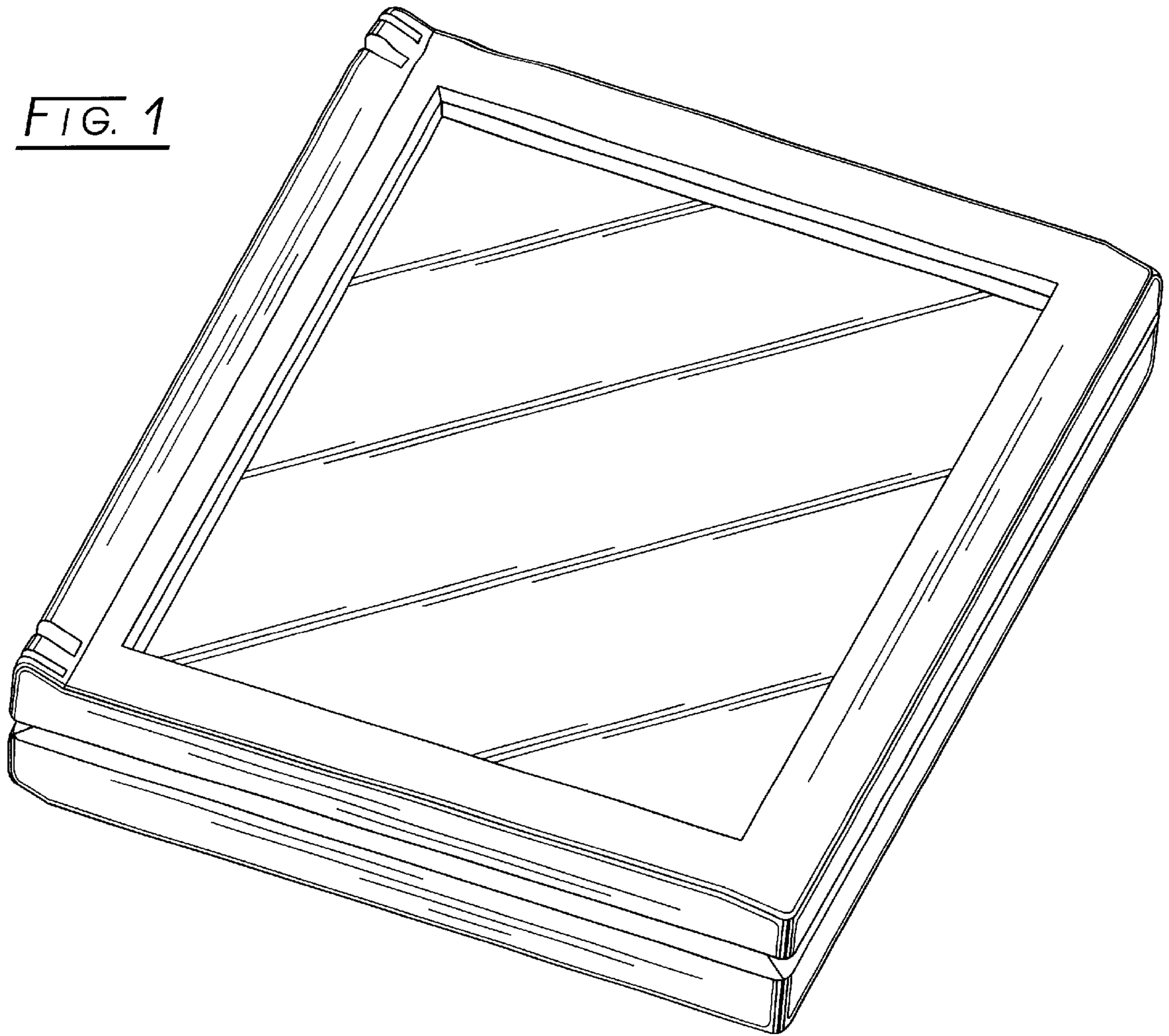


FIG. 2

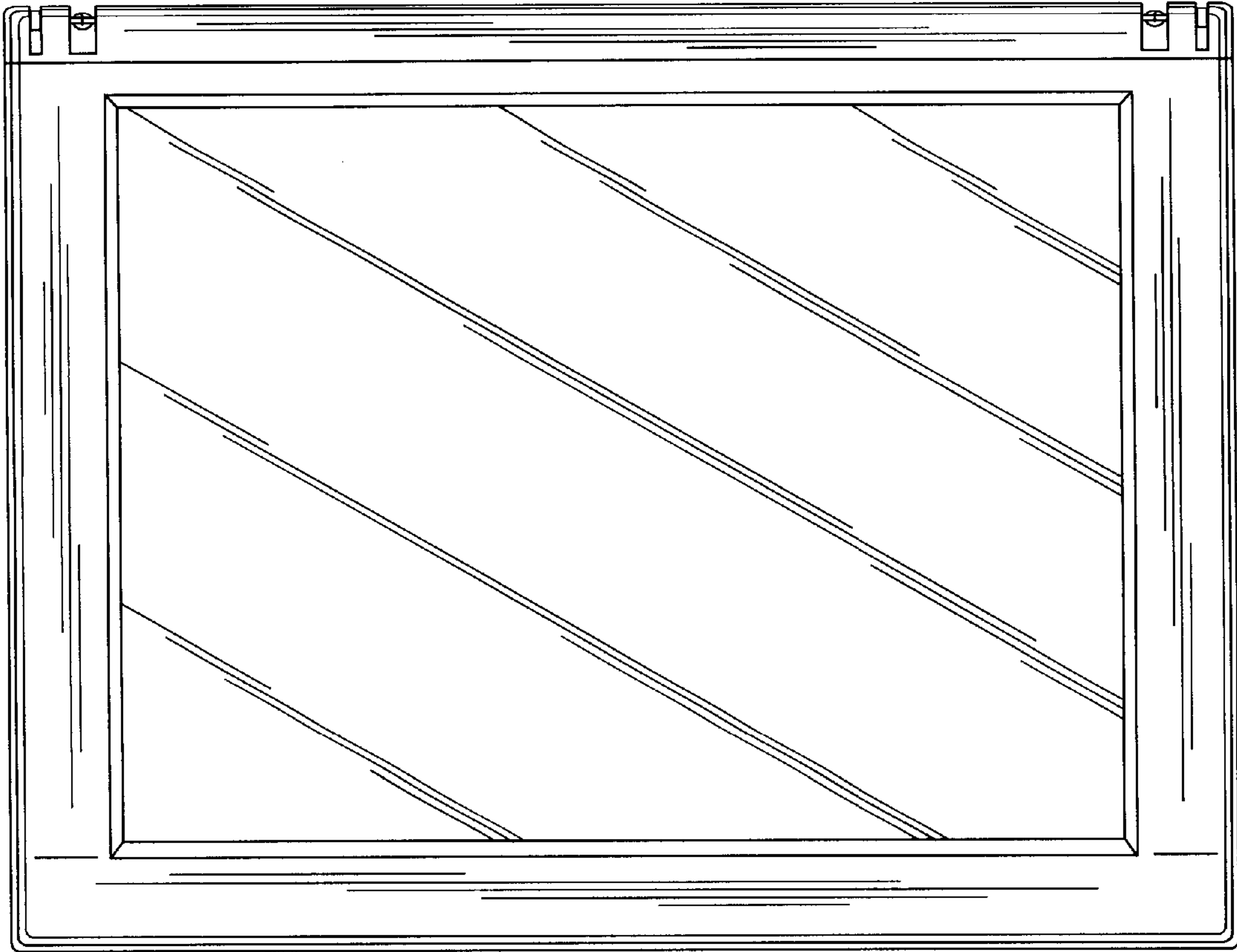


FIG. 3

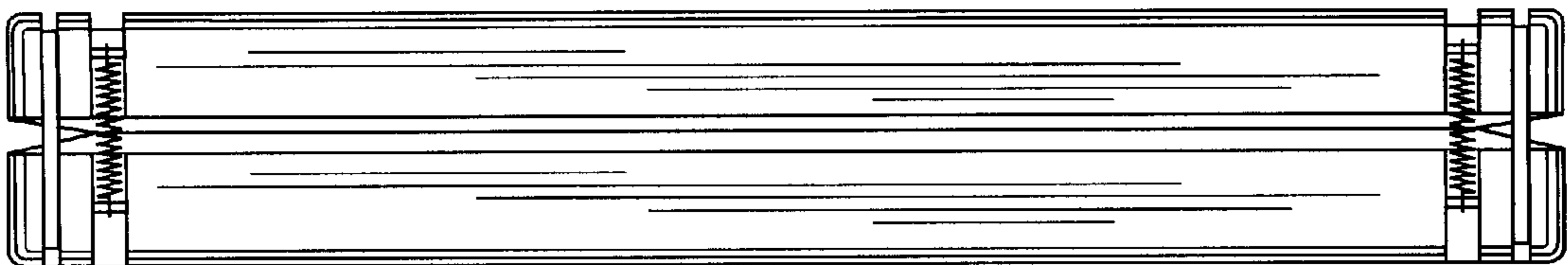


FIG. 4

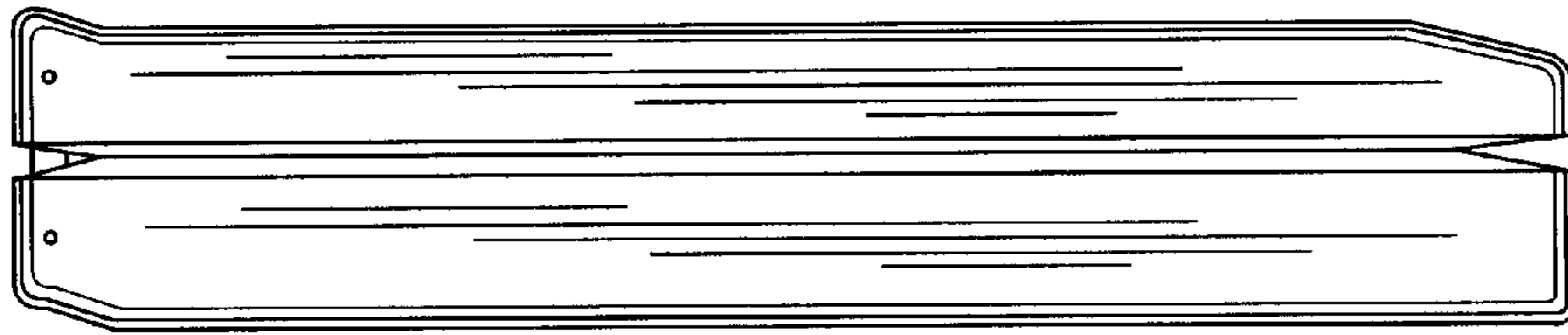


FIG. 5

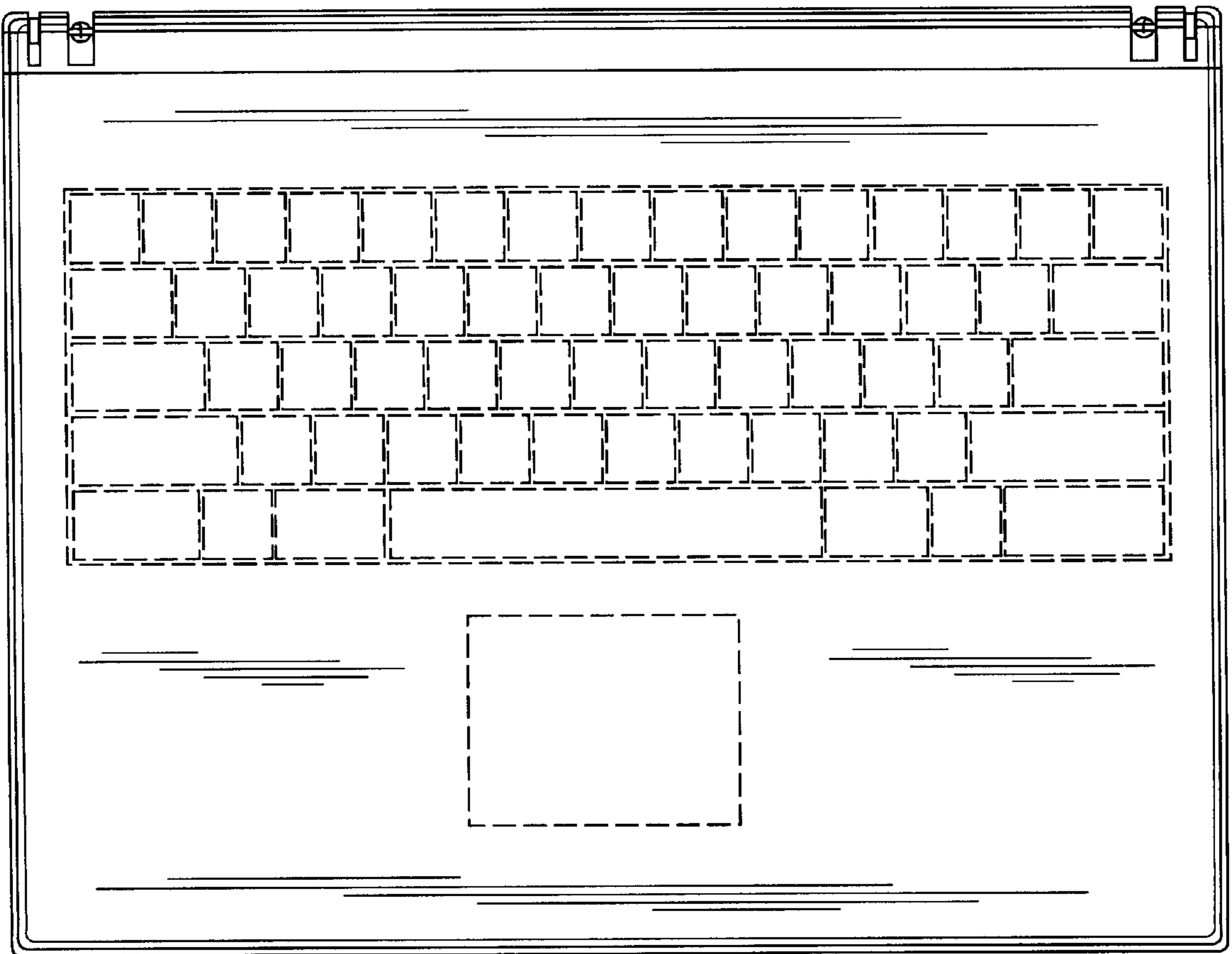


FIG. 6