



US00D448761B1

(12) **United States Design Patent**
Powell

(10) **Patent No.:** **US D448,761 S**

(45) **Date of Patent:** **** Oct. 2, 2001**

(54) **JACKET COVER FOR CELLULAR PHONE**

6,130,945 * 10/2000 Shin 379/455
6,201,867 * 3/2001 Koike 379/433

(76) Inventor: **Andrew P. Powell**, 29 Hall Ave.,
Somerville, MA (US) 02144

OTHER PUBLICATIONS

(**) Term: **14 Years**

Hello Direct 1993 Summer catalog, p. 57, leather case at top right on page.*

(21) Appl. No.: **29/132,893**

* cited by examiner

(22) Filed: **Nov. 17, 2000**

Primary Examiner—Jeffrey Asch

(51) **LOC (7) Cl.** **14-03**

(57) **CLAIM**

(52) **U.S. Cl.** **D14/250**

(58) **Field of Search** D14/140, 142,
D14/240, 250, 248, 138, 147–148; 379/433,
437, 439, 419, 420, 428, 440, 447, 455,
449–450, 451–452; 455/90; D6/610; D3/218;
224/181, 929; D13/119

I claim the ornamental design for a jacket cover for cellular phone, as shown.

DESCRIPTION

(56) **References Cited**

U.S. PATENT DOCUMENTS

D. 294,827	*	3/1988	Woodfork	D14/250
D. 322,719	*	12/1991	Jayez	D3/218
D. 329,542	*	9/1992	Jayez	D3/218
D. 338,470	*	8/1993	Clayton	D14/250
D. 346,494	*	5/1994	Graham et al.	D3/218
D. 348,472	*	7/1994	Cyfko	D14/250
D. 366,257	*	1/1996	Fraser et al.	D14/138
D. 366,258	*	1/1996	Fraser et al.	D14/138
D. 368,095	*	3/1996	McCallister, III	D14/218
D. 369,903	*	5/1996	Tetrault	D3/218
D. 404,197	*	1/1999	Dobbins	D3/230
D. 420,218	*	2/2000	Chen	D3/218
D. 425,075	*	5/2000	Perry	D14/250
D. 426,379	*	6/2000	Levy et al.	D3/218
5,586,704	*	12/1996	Alexander et al.	224/605
6,082,535	*	7/2000	Mitchell	206/320

FIG. 1 is a perspective view of a jacket cover for a cellular phone.

FIG. 2 is a front view of the jacket cover for a cellular phone

FIG. 3 is a back view of the jacket cover for a cellular phone

FIG. 4 is a side view of the jacket cover for a cellular phone

FIG. 5 is a side view right side of the jacket cover for a cellular phone

FIG. 6 is a bottom view of the jacket cover for a cellular phone

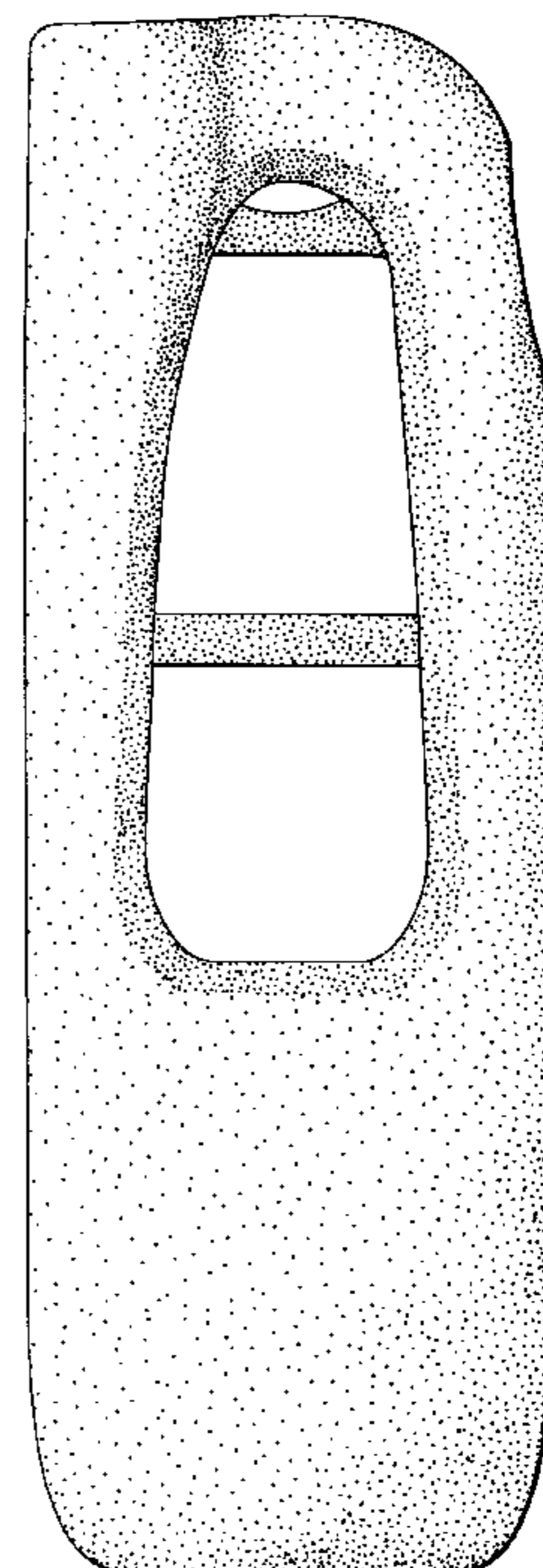
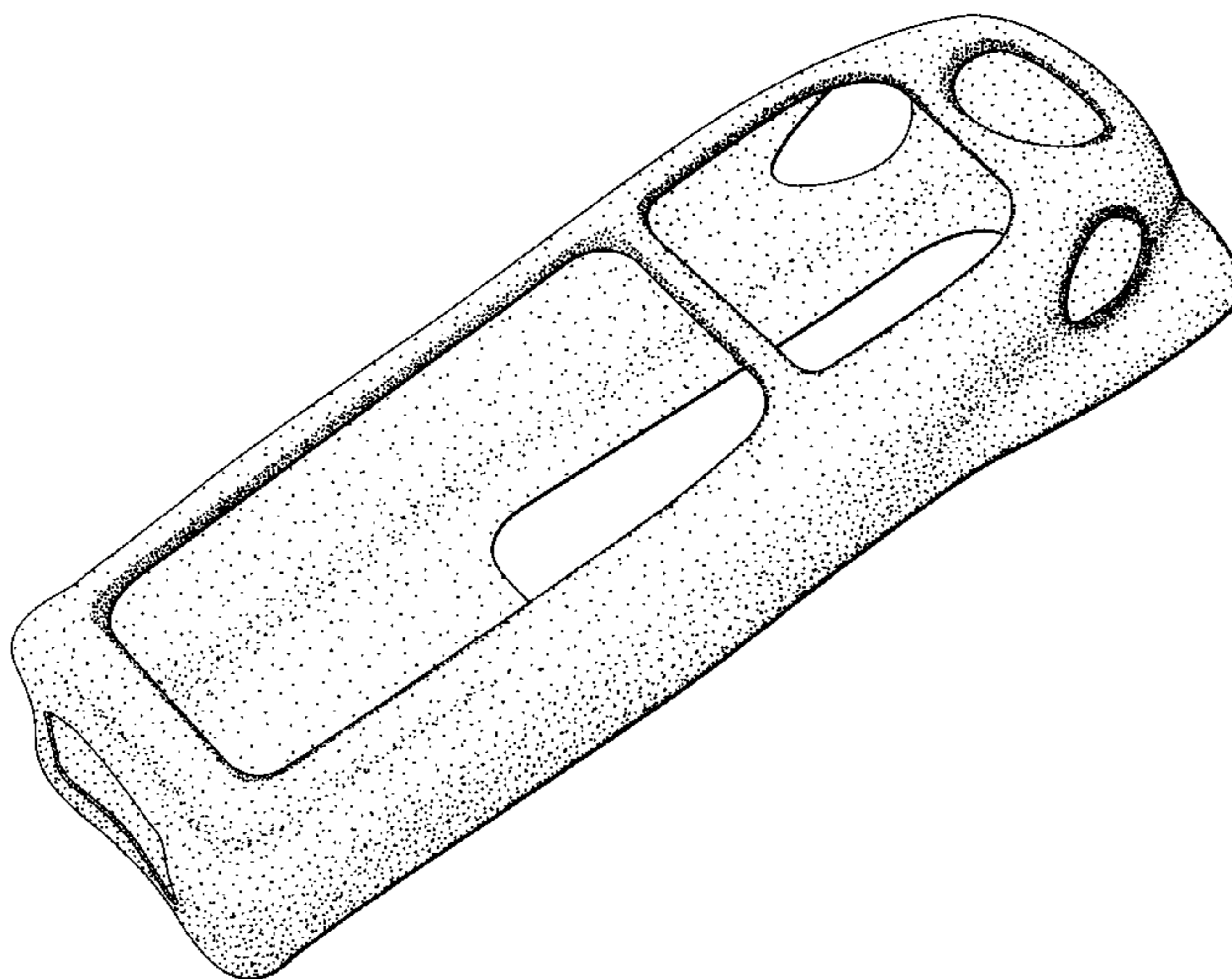
FIG. 7 is a top view of the jacket cover for a cellular phone

FIG. 8 is the perspective view of FIG. 1 with a cell phone therein, shown in broken lines; and,

FIG. 9 is the side view of FIG. 4 with a cell phone therein, shown in broken lines.

The broken line showings of the cell phone in FIGS. 8 and 9 are for illustrative purposes only and form no part of the claimed design.

1 Claim, 7 Drawing Sheets



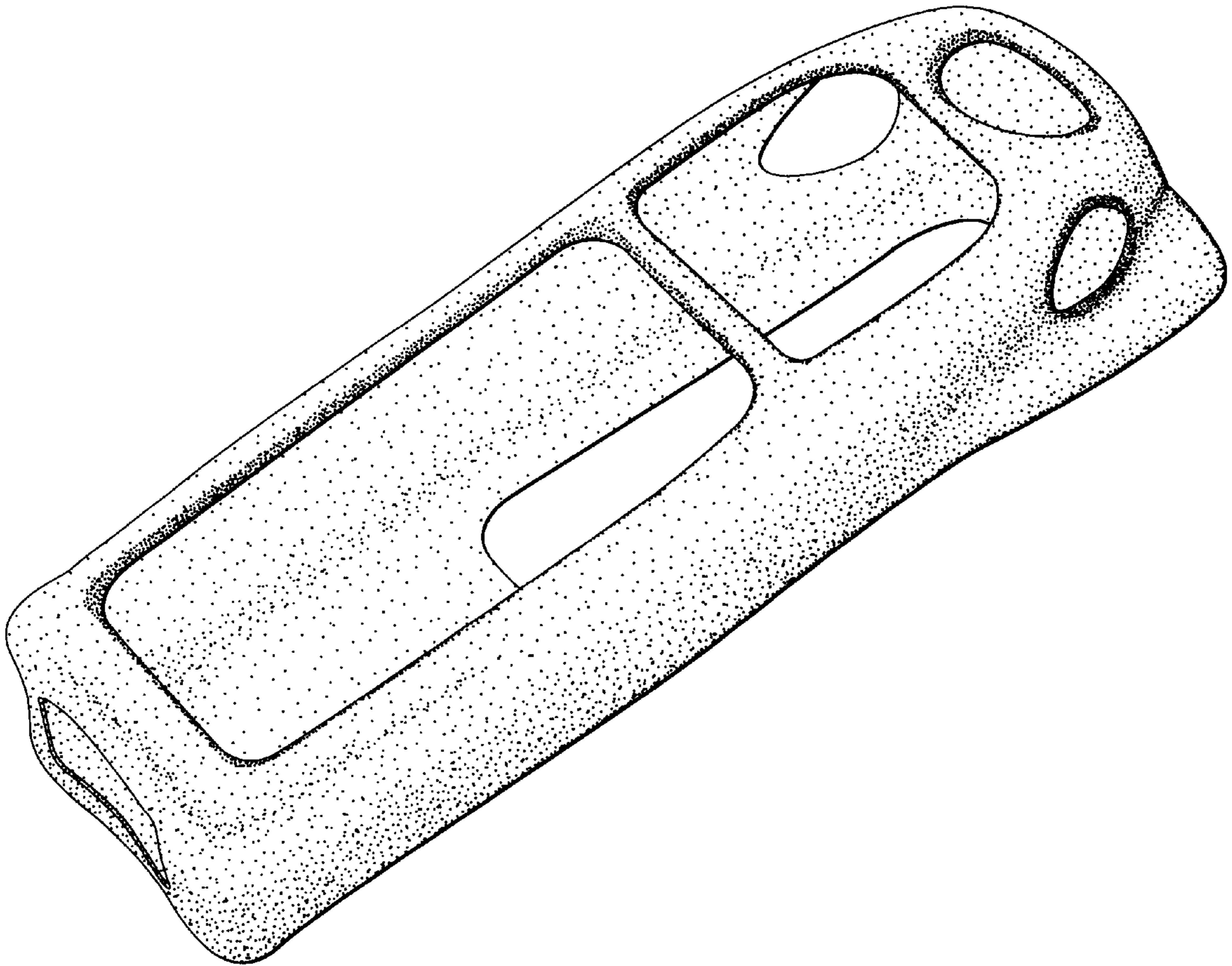


Fig. 1

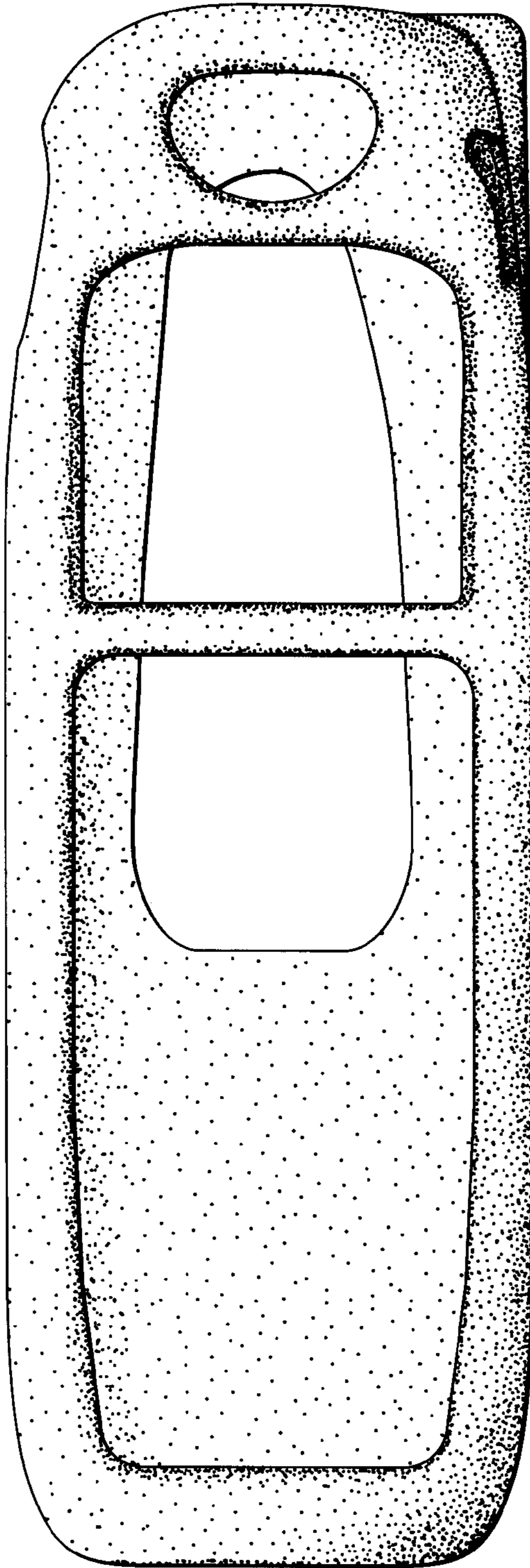


Fig. 2

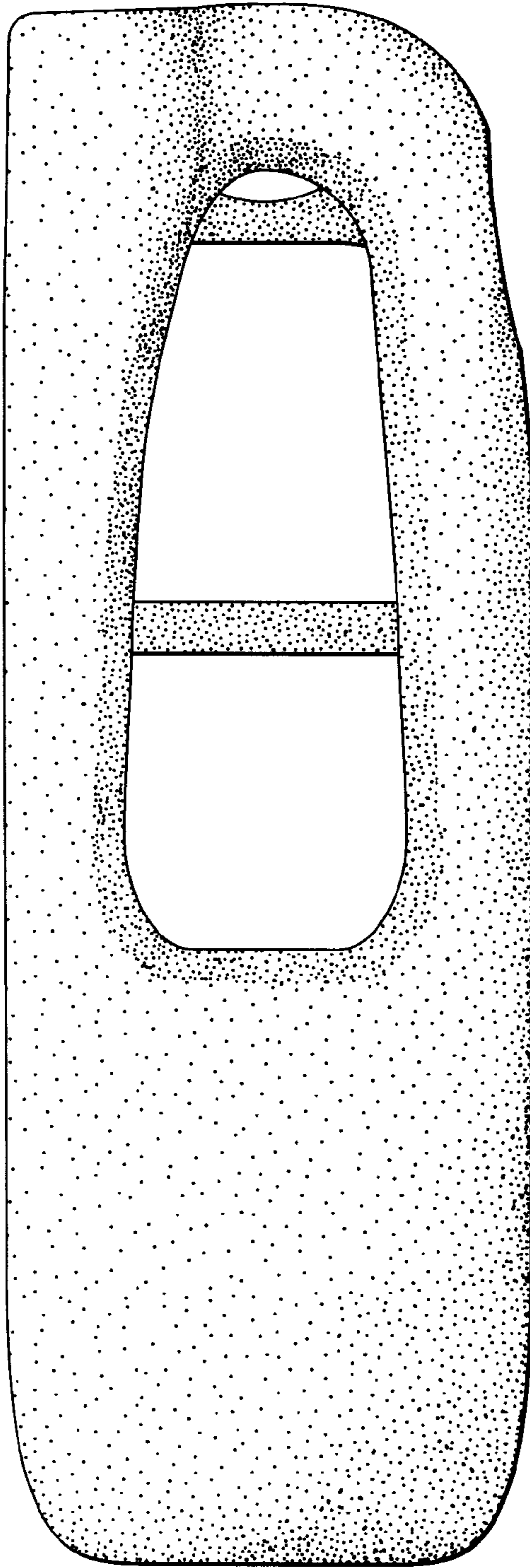


Fig. 3

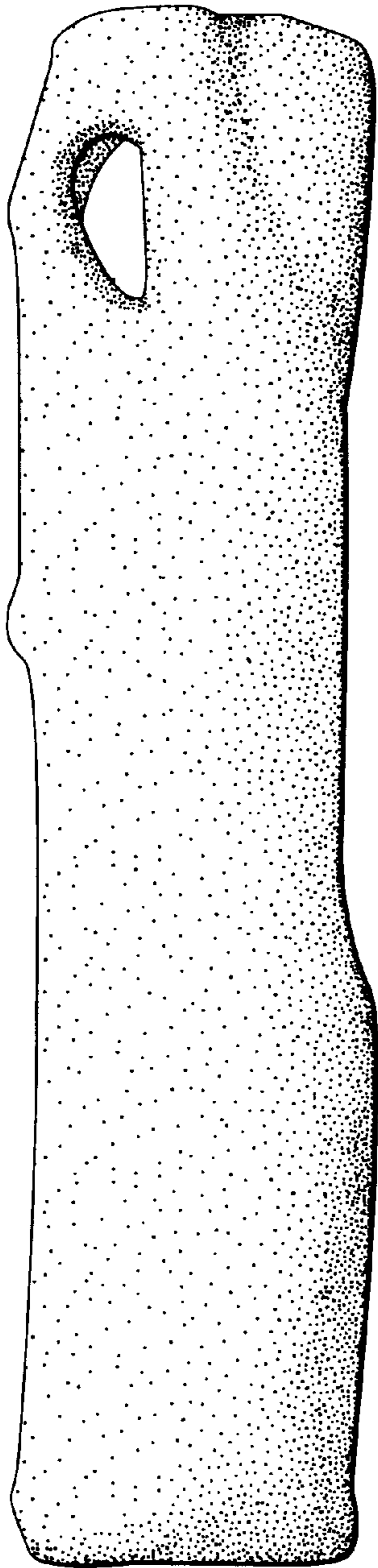


Fig. 4

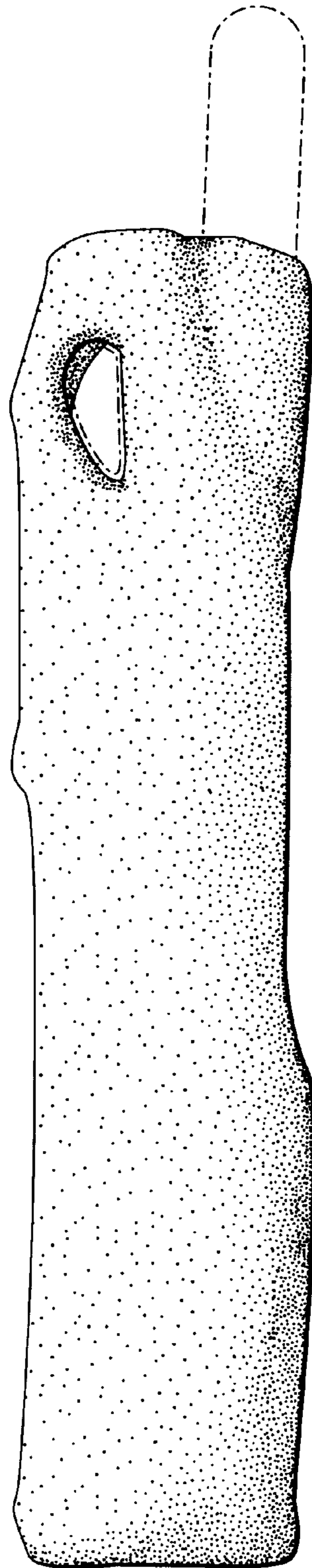


Fig. 9

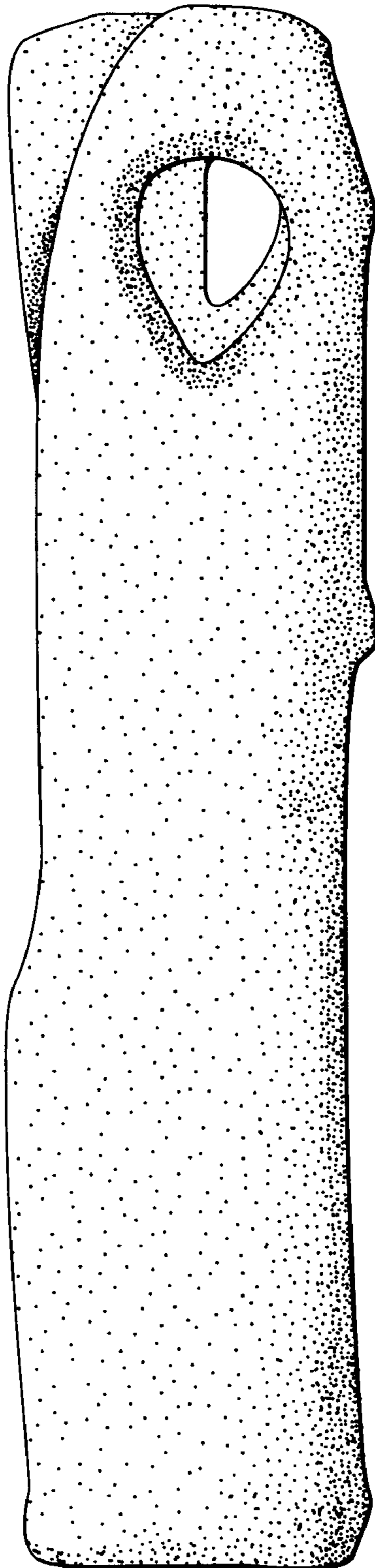


Fig. 5

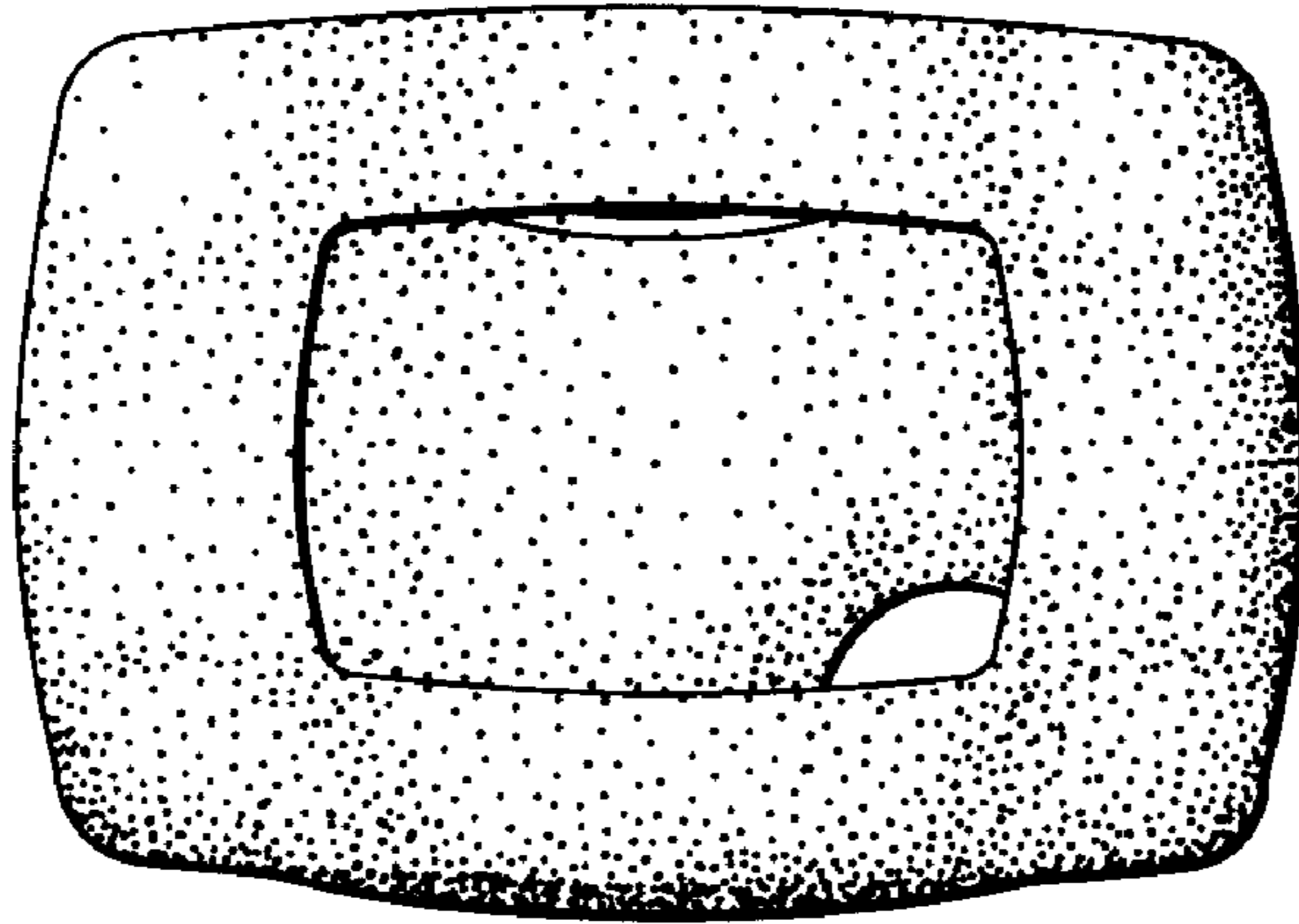


Fig. 6

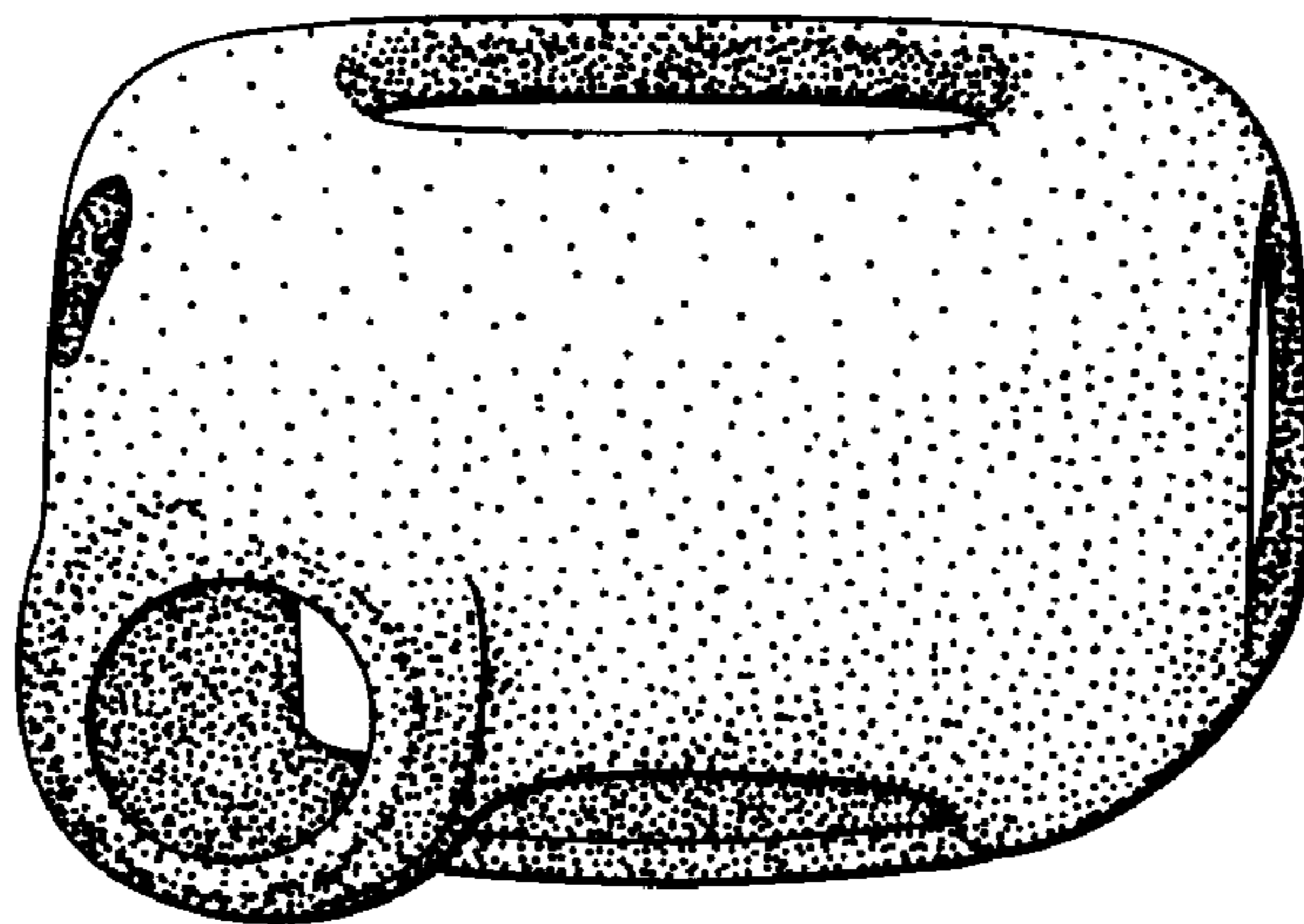


Fig. 7

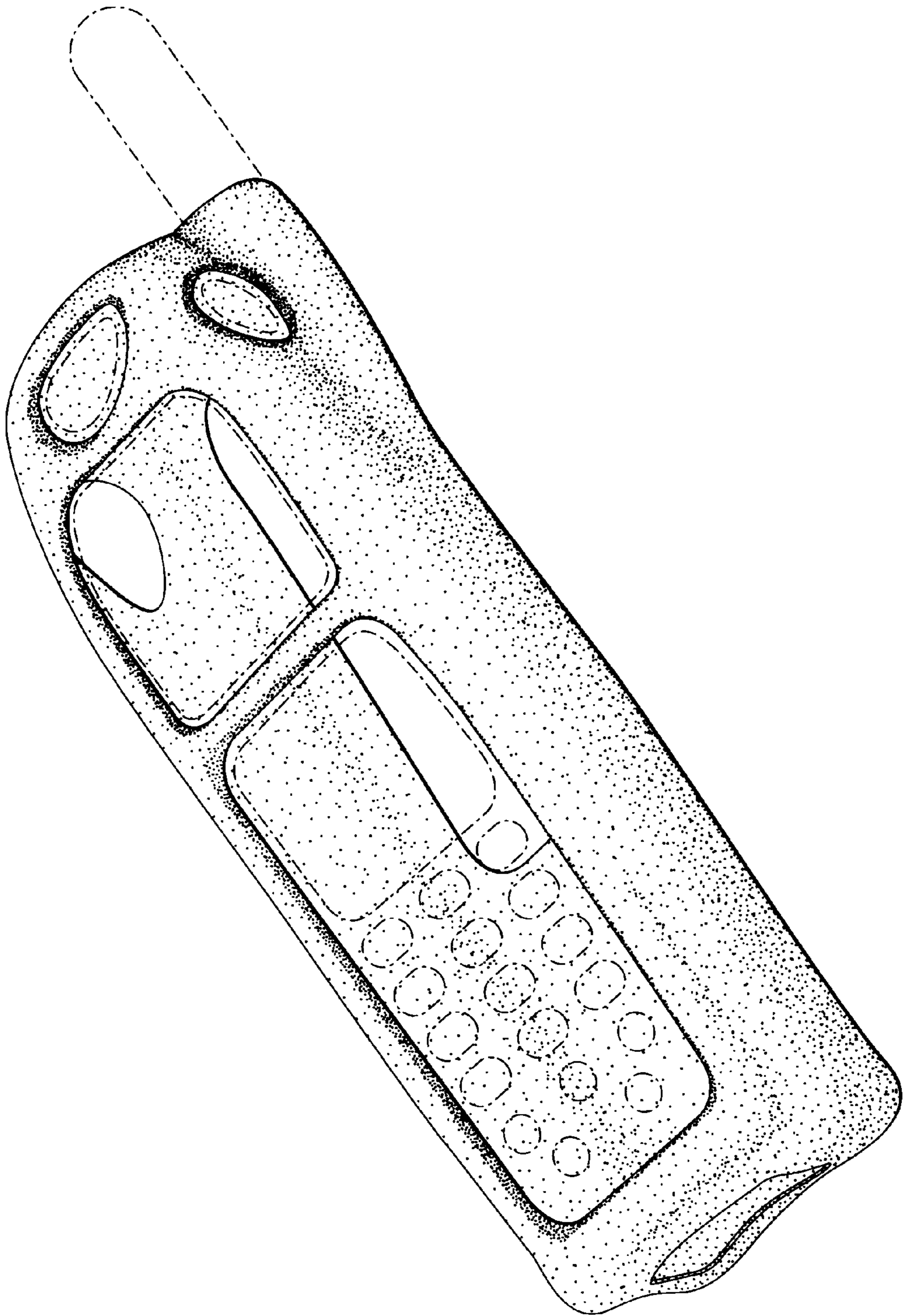


Fig. 8