



US00D448755B1

(12) **United States Design Patent**
Miyazaki

(10) **Patent No.:** **US D448,755 S**

(45) **Date of Patent:** **** Oct. 2, 2001**

(54) **EDITING CONTROL UNIT**

4,561,085 * 12/1985 Funabashi 369/77.1

(75) Inventor: **Tetsuro Miyazaki**, Tokyo (JP)

(73) Assignee: **Sony Corporation**, Tokyo (JP)

(**) Term: **14 Years**

(21) Appl. No.: **29/131,390**

(22) Filed: **Oct. 23, 2000**

(51) **LOC (7) Cl.** **14-99**

(52) **U.S. Cl.** **D14/217**

(58) **Field of Search** D14/135-136,
D14/156-157, 160-162, 164, 167-168,
355, 363, 365, 366, 368, 496, 217, 299;
369/75.1, 75.2, 77.1, 77.2

(56) **References Cited**

U.S. PATENT DOCUMENTS

D. 355,655	*	2/1995	Burke	D14/217
D. 380,206	*	6/1997	Hill et al.	D14/365
D. 384,340		9/1997	Hisatsune et al.	.	
D. 401,917	*	12/1998	Ito et al.	D14/368
D. 415,758	*	10/1999	Watanabe et al.	D14/156
D. 427,627		7/2000	Ikenaga	.	
D. 428,051		7/2000	Ikenaga	.	

OTHER PUBLICATIONS

“Broadcast/Production System General Catalog 2000—NTSC/PAL/SECAM” pp. 104 and 118; Sony Corporation, 1999.

* cited by examiner

Primary Examiner—Nanda Bondade

(74) *Attorney, Agent, or Firm*—Rader, Fishman & Grauer, PLLC

(57) **CLAIM**

The ornamental design for an editing control unit, as shown and described.

DESCRIPTION

FIG. 1 is a perspective view of an editing control unit showing my design;

FIG. 2 is a top plan view thereof;

FIG. 3 is a bottom plan view thereof;

FIG. 4 is a left side elevational view thereof;

FIG. 5 is a right side elevational view thereof;

FIG. 6 is a front elevational view thereof; and,

FIG. 7 is a rear elevational view thereof.

1 Claim, 4 Drawing Sheets

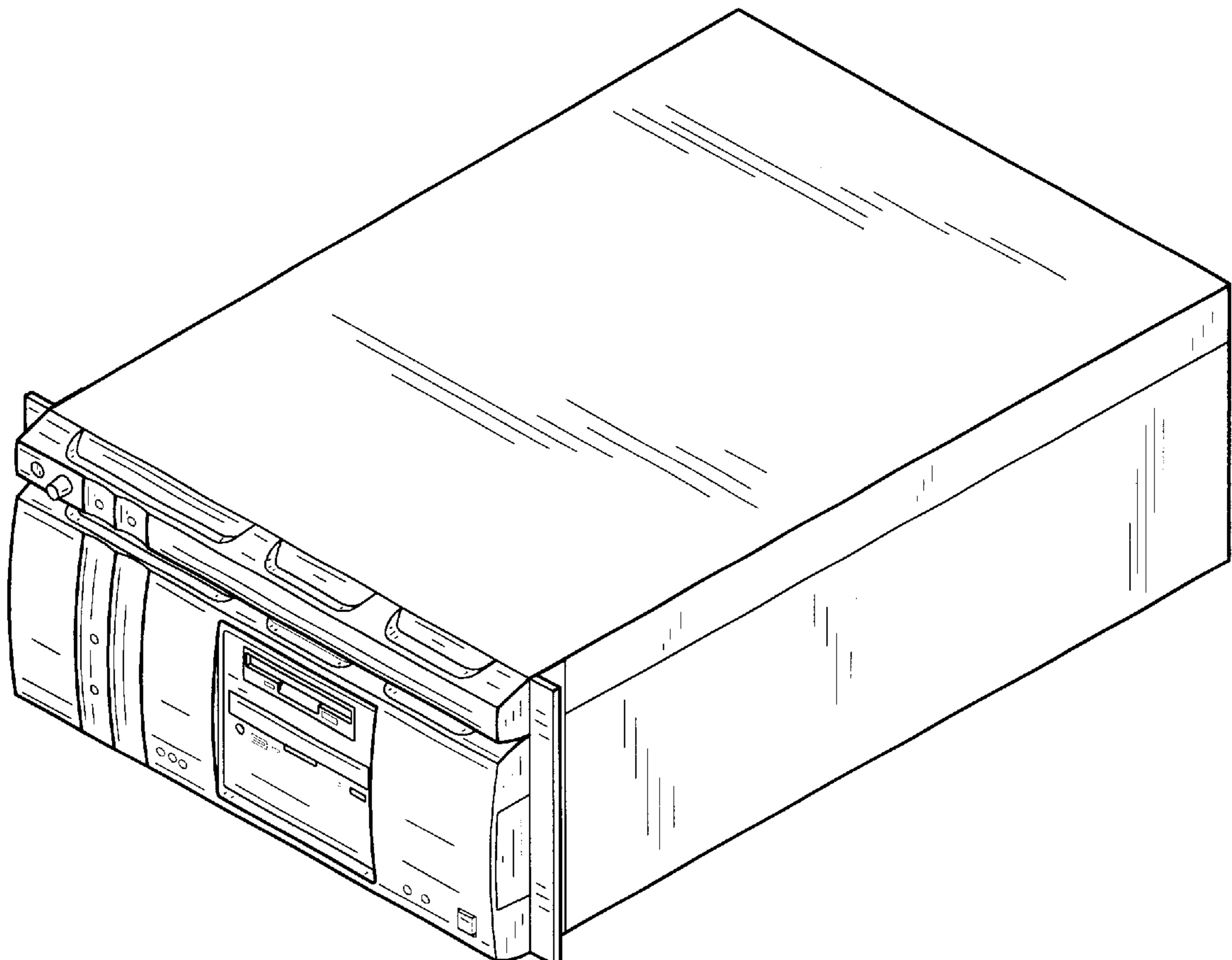


FIG. 1

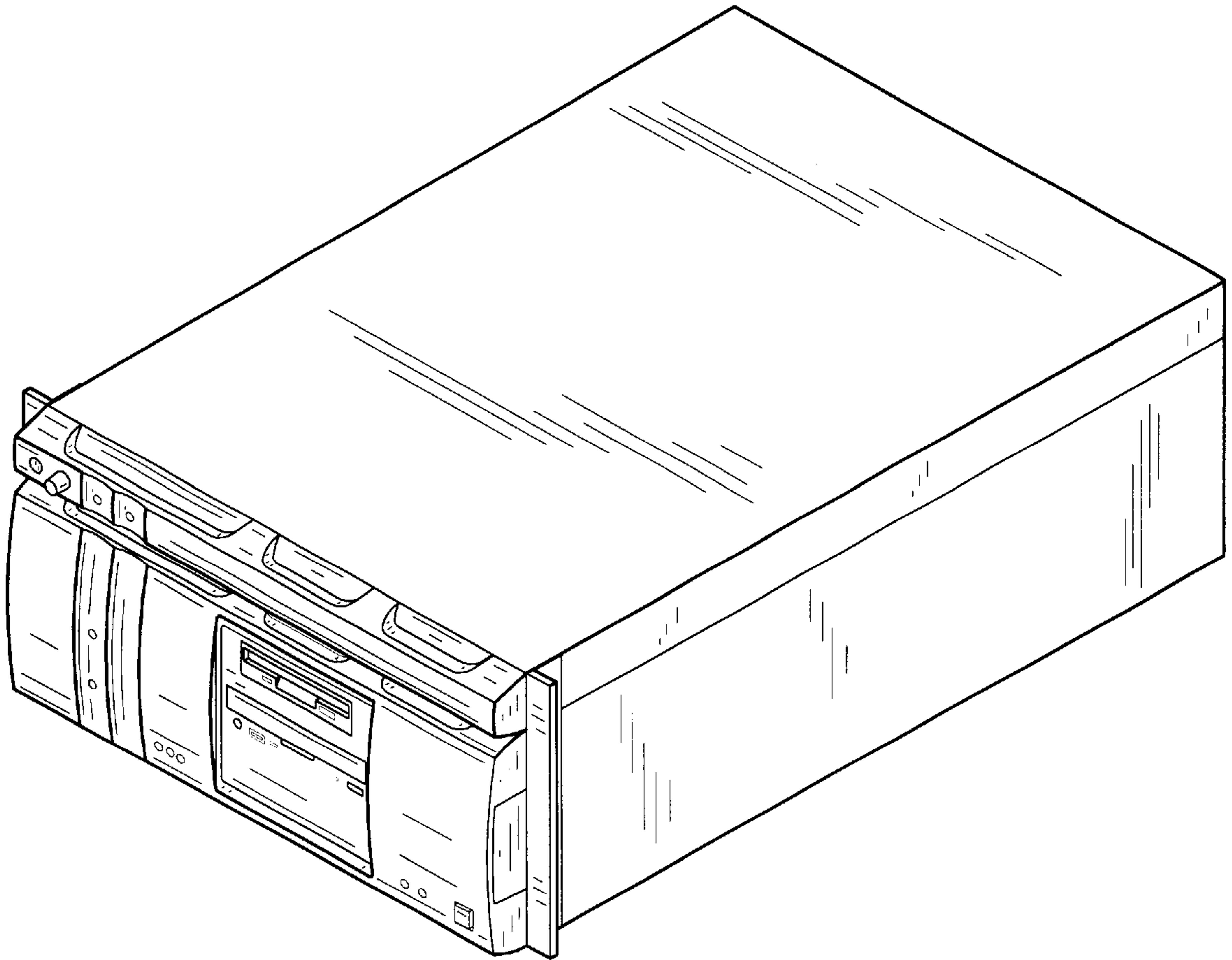


FIG. 2

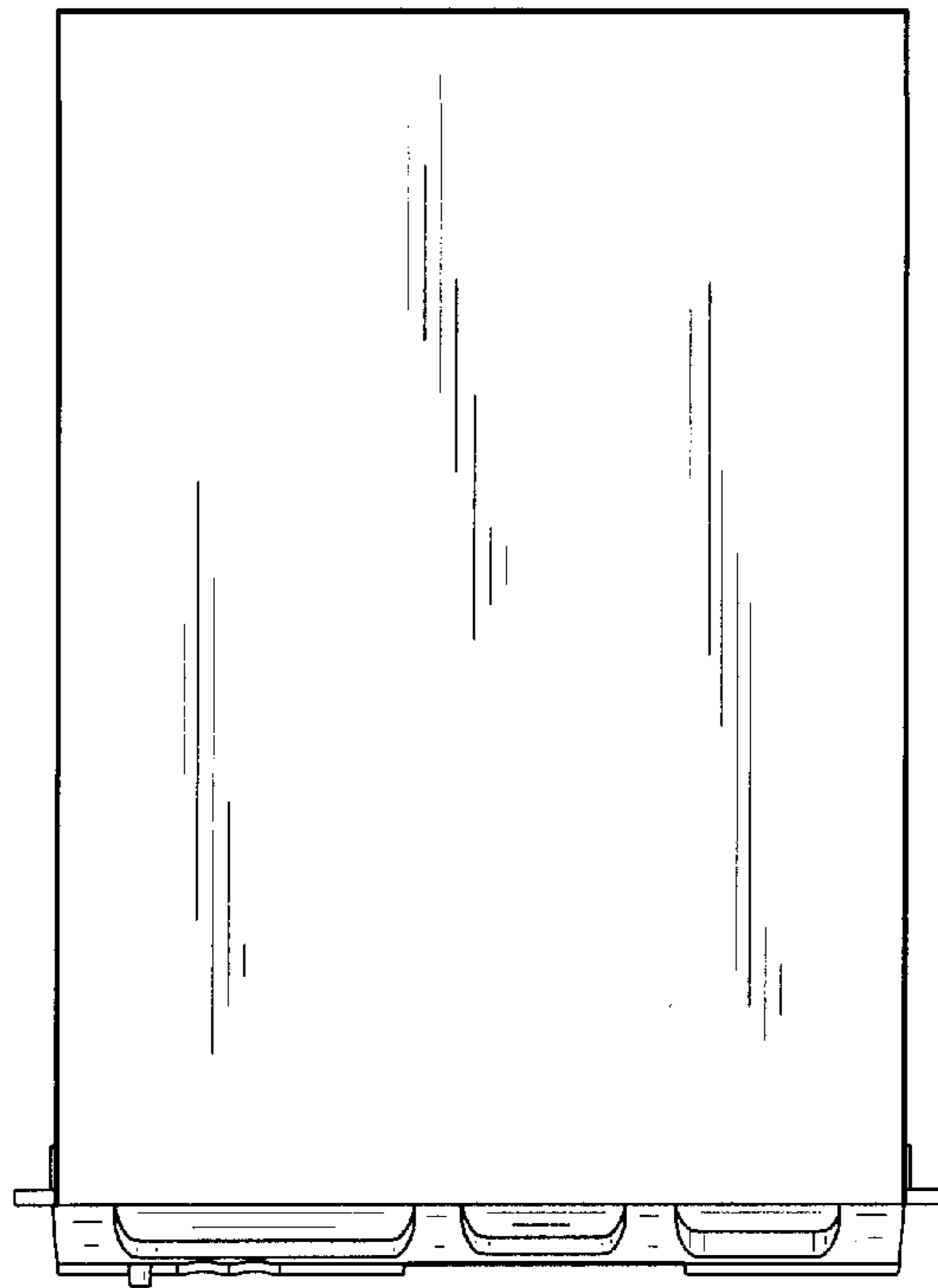


FIG. 3

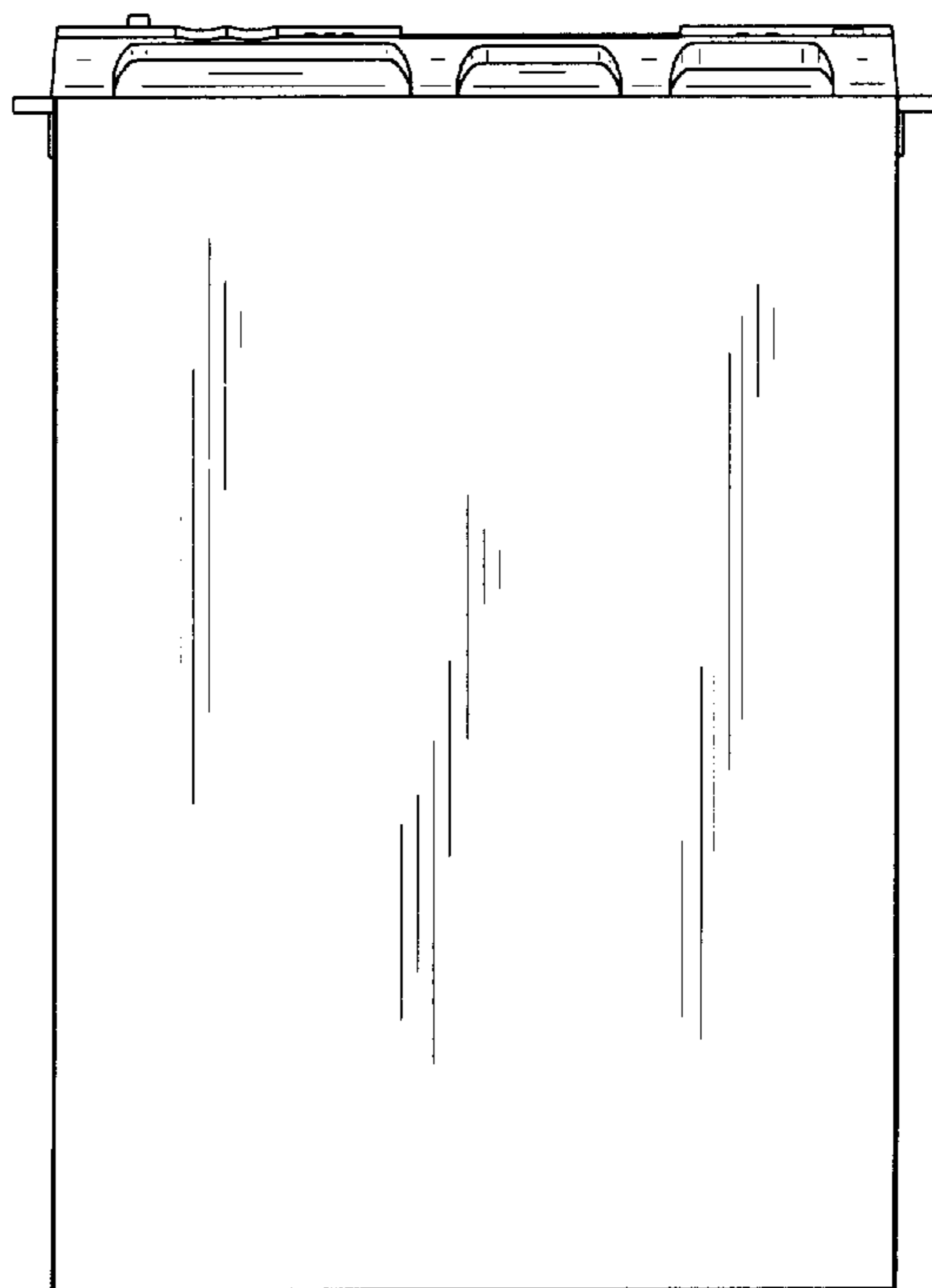


FIG. 4

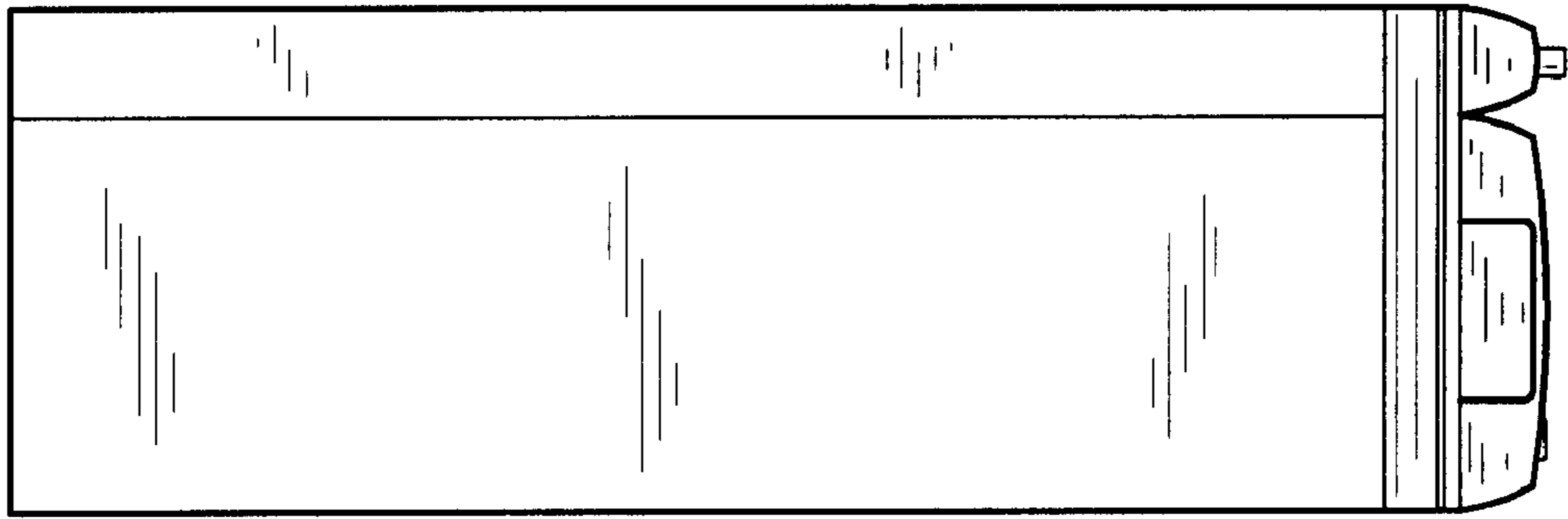


FIG. 5

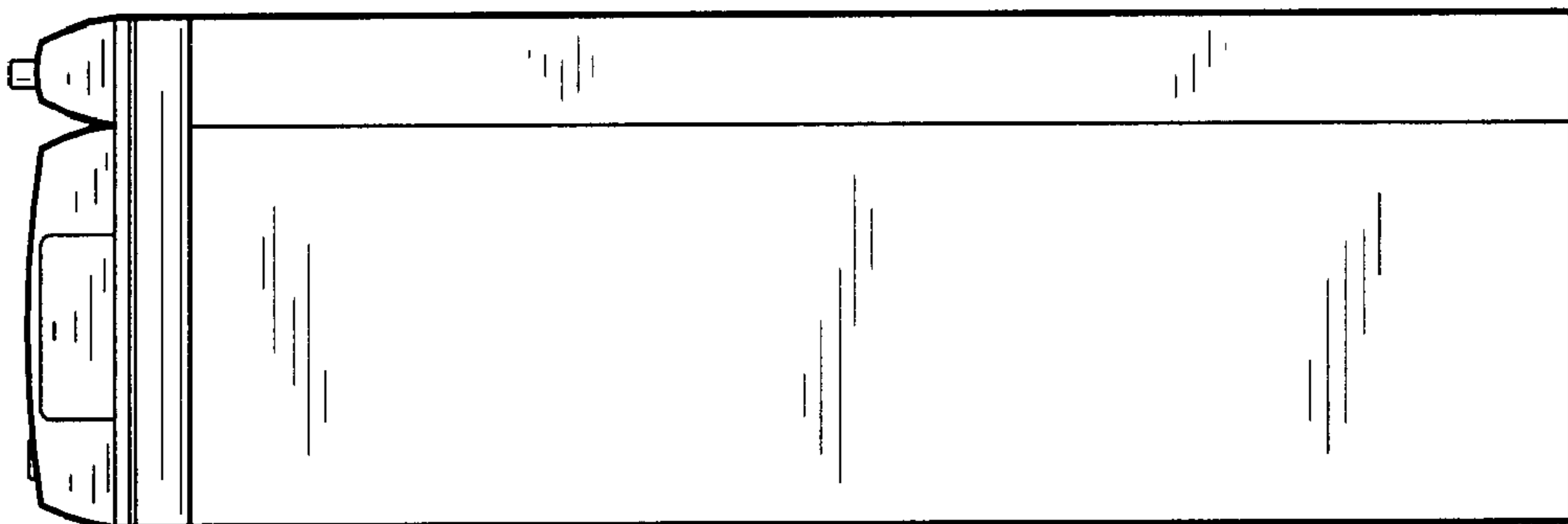


FIG. 6

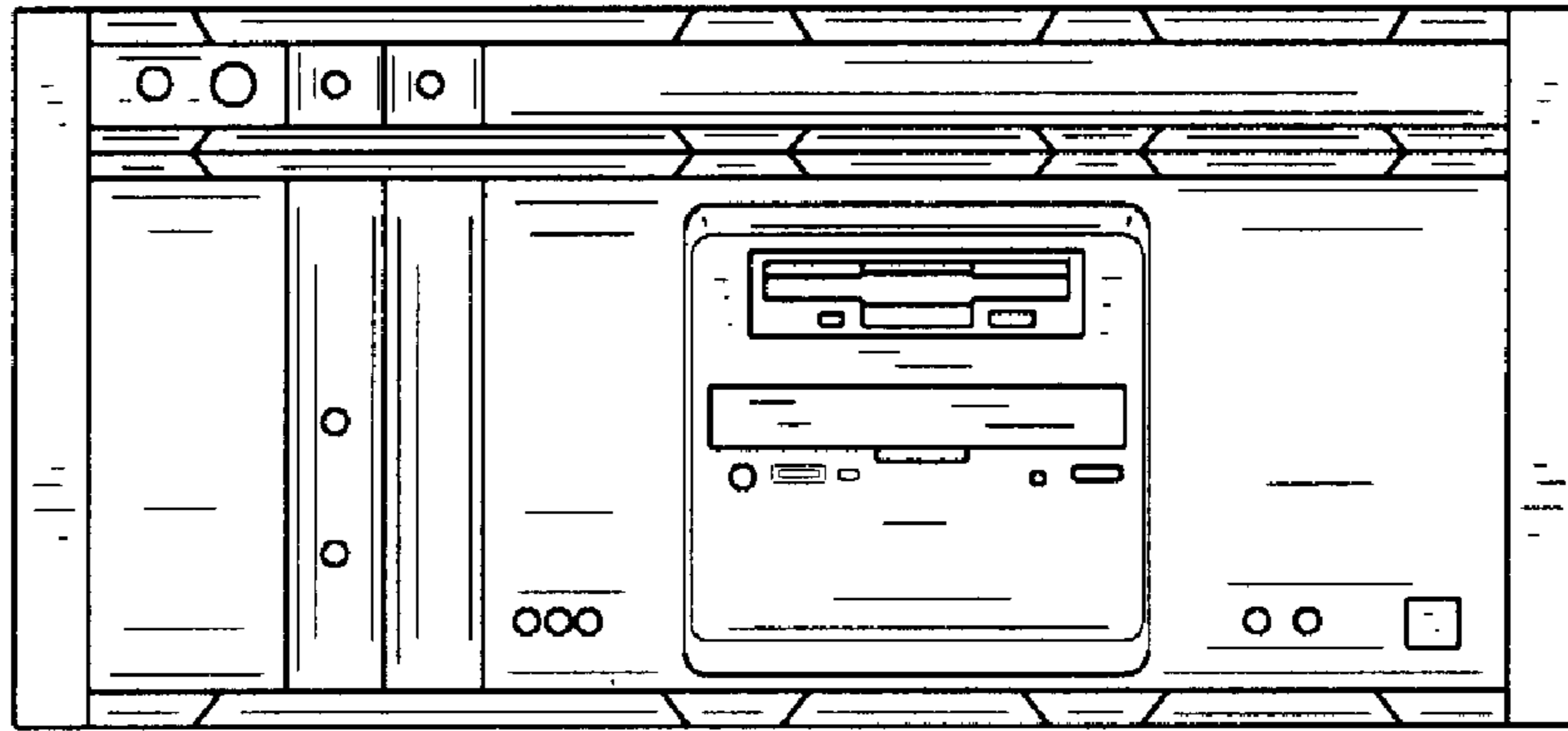


FIG. 7

