



US00D448754B1

(12) **United States Design Patent**
Chang

(10) **Patent No.:** **US D448,754 S**

(45) **Date of Patent:** **** Oct. 2, 2001**

(54) **WIRELESS AUDIO/VIDEO SENDER**

(75) Inventor: **Mu Jung Chang, Hsiachu (TW)**

(73) Assignee: **Tranwo Technology Corporation (TW)**

(**) Term: **14 Years**

(21) Appl. No.: **29/127,745**

(22) Filed: **Aug. 11, 2000**

(51) **LOC (7) Cl.** **14-99**

(52) **U.S. Cl.** **D14/217; D14/156**

(58) **Field of Search** D10/104, 106;
D14/126-136, 155, 156, 217, 299; 273/148 B,
175, DIG. 28, 433-438; 369/75.1, 75.2,
77.1, 77.2

(56) **References Cited**

U.S. PATENT DOCUMENTS

- D. 317,306 * 6/1991 Hong D14/135
- D. 347,219 * 5/1994 McGreevy D14/137

D. 349,290 * 8/1994 Christensen et al. D14/217

* cited by examiner

Primary Examiner—Nanda Bondade

(74) *Attorney, Agent, or Firm*—Martine & Penilla, LLP

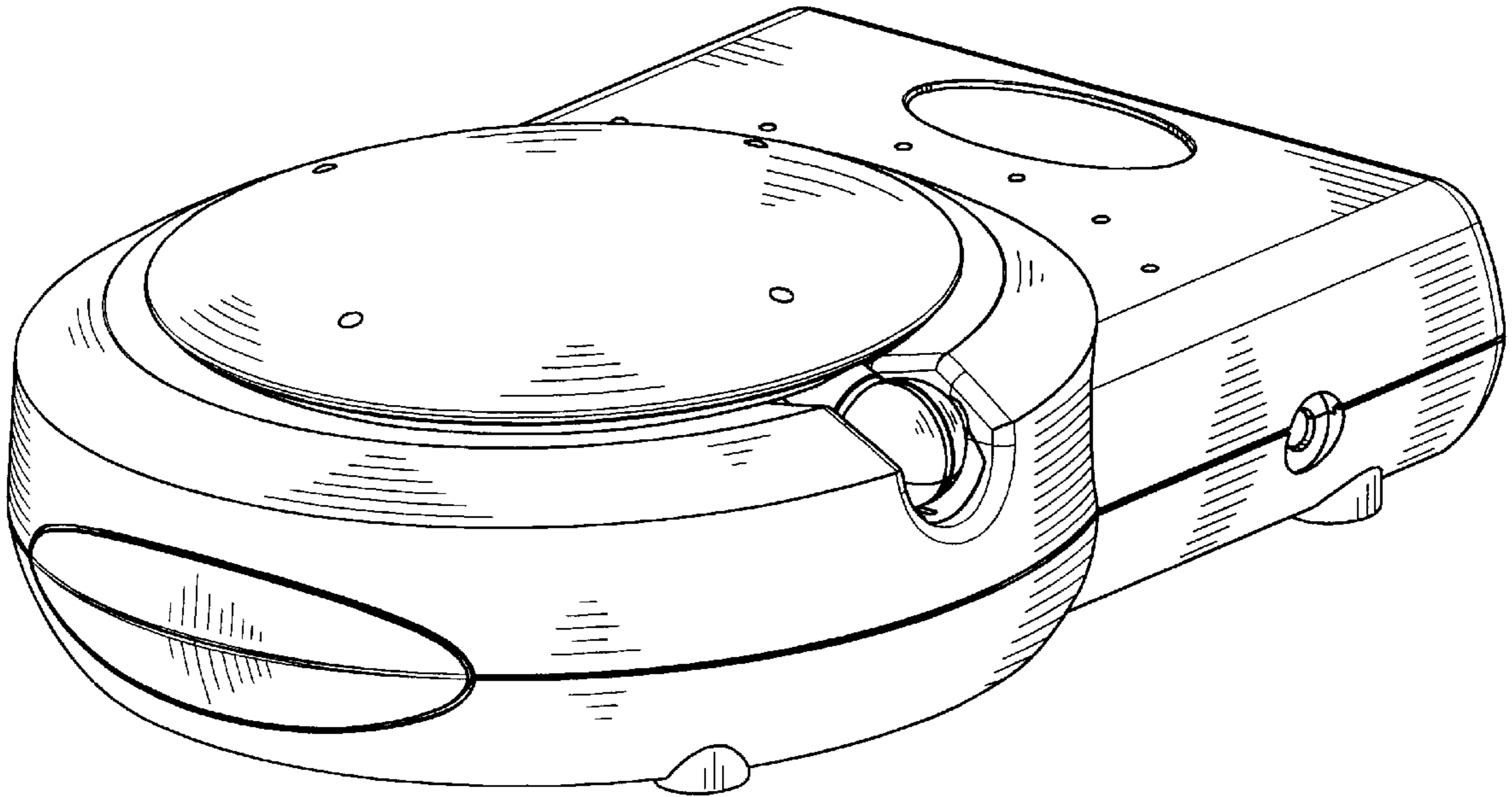
(57) **CLAIM**

The ornamental design for a wireless audio/video sender, as shown and described.

DESCRIPTION

FIG. 1 is a perspective view of a wireless audio/video sender that shows our new design;
 FIG. 2 is a front elevation view thereof;
 FIG. 3 is a rear elevational view thereof;
 FIG. 4 is a left side view thereof;
 FIG. 5 is a right side view thereof;
 FIG. 6 is a top plan view thereof;
 FIG. 7 is a bottom plan view thereof; and,
 FIG. 8 is a reference view showing the status of the wireless audio/video sender during the operations thereof.

1 Claim, 6 Drawing Sheets



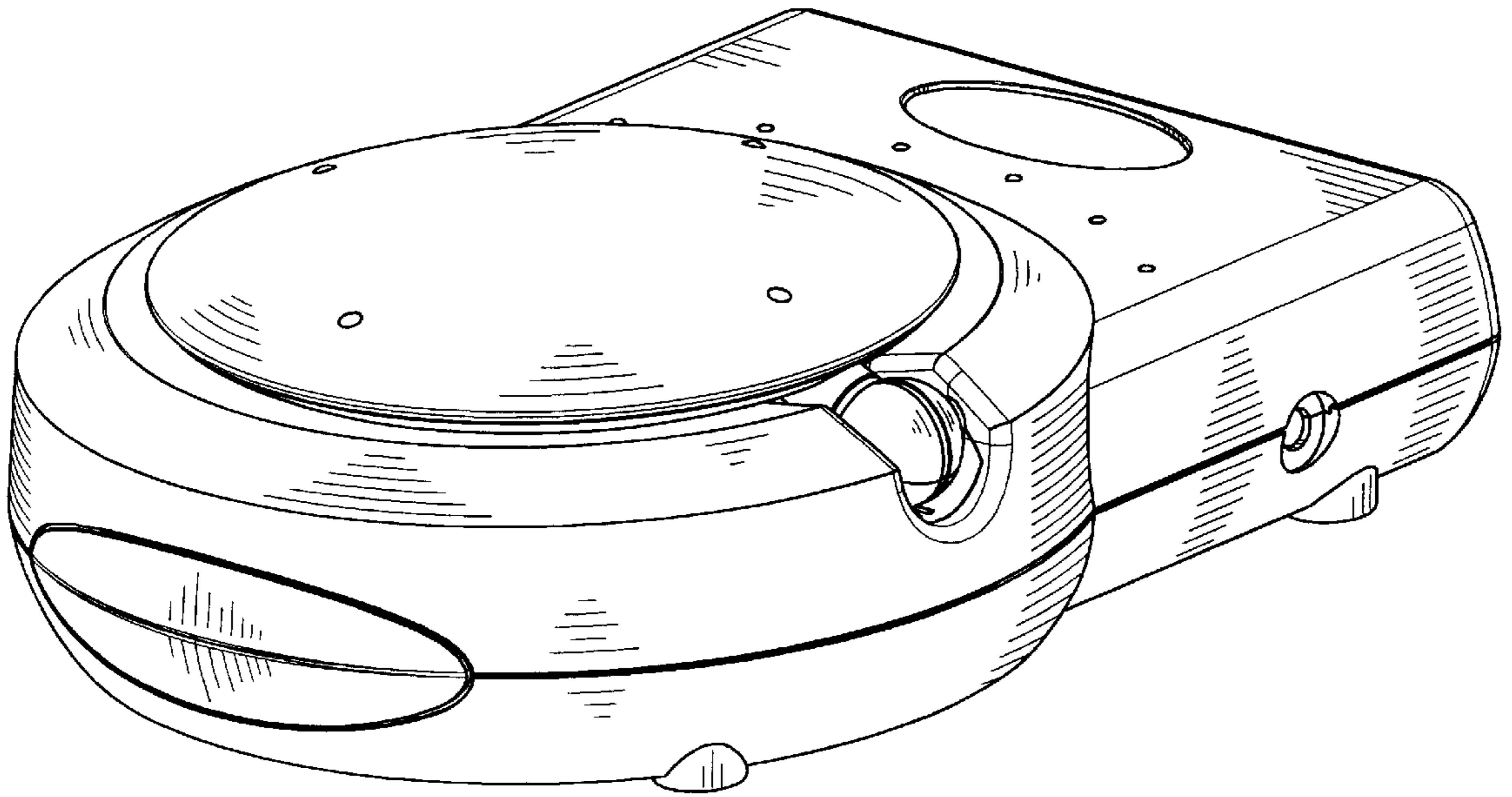


FIG. 1

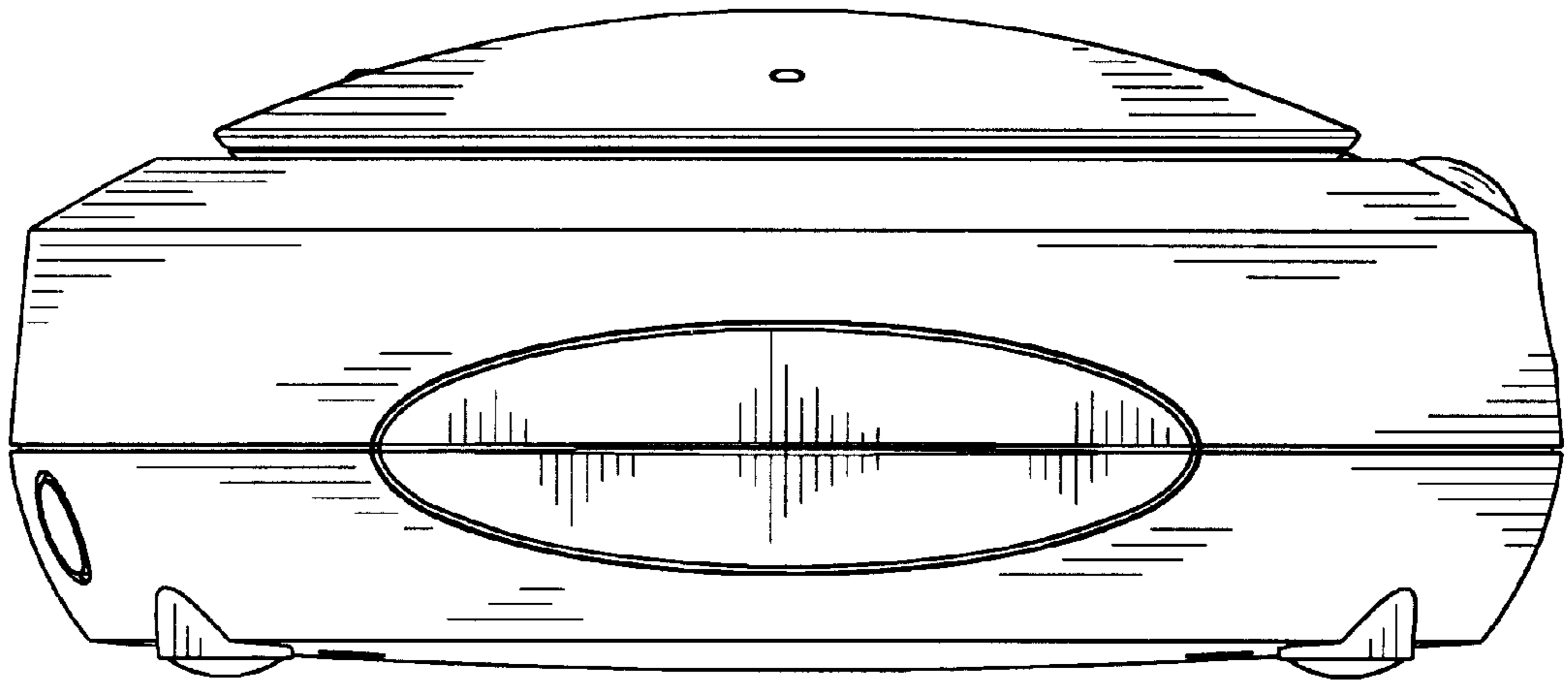


FIG. 2

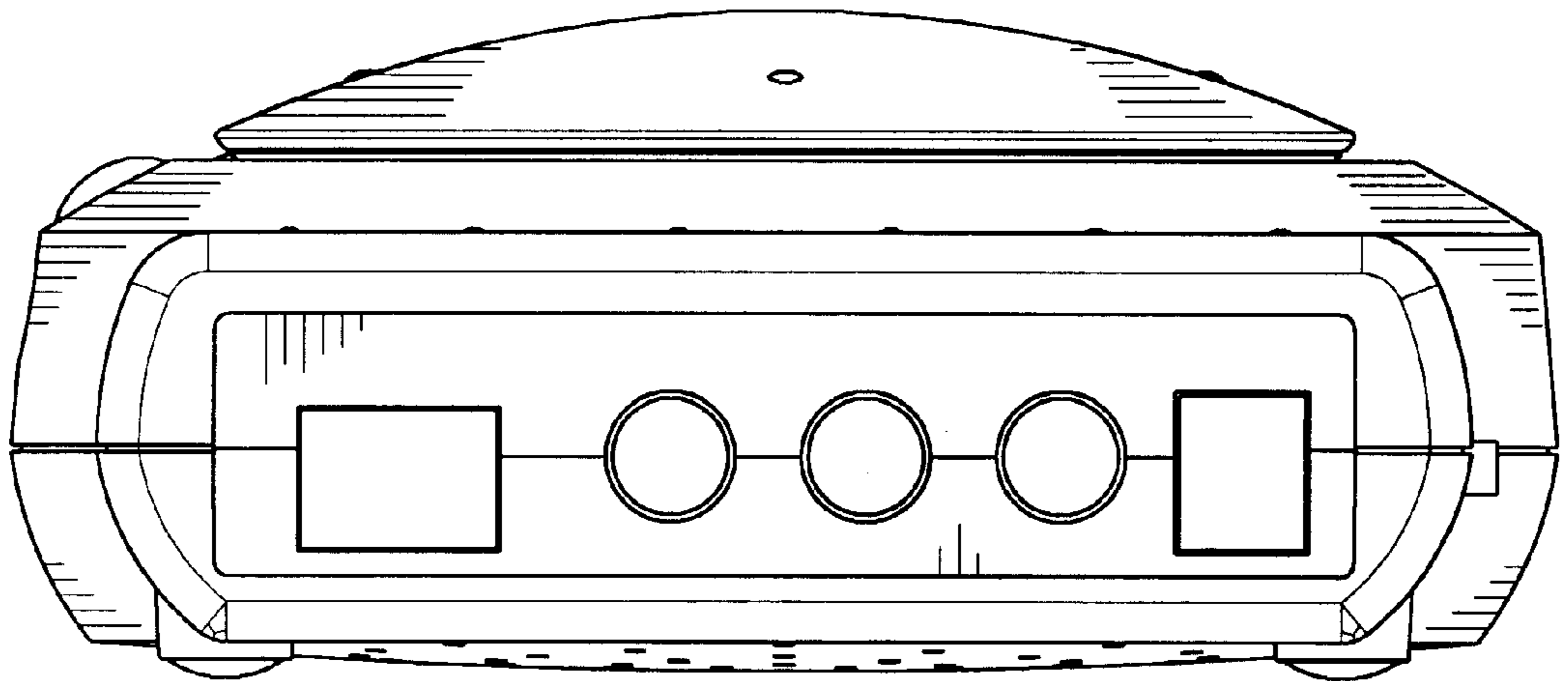


FIG. 3

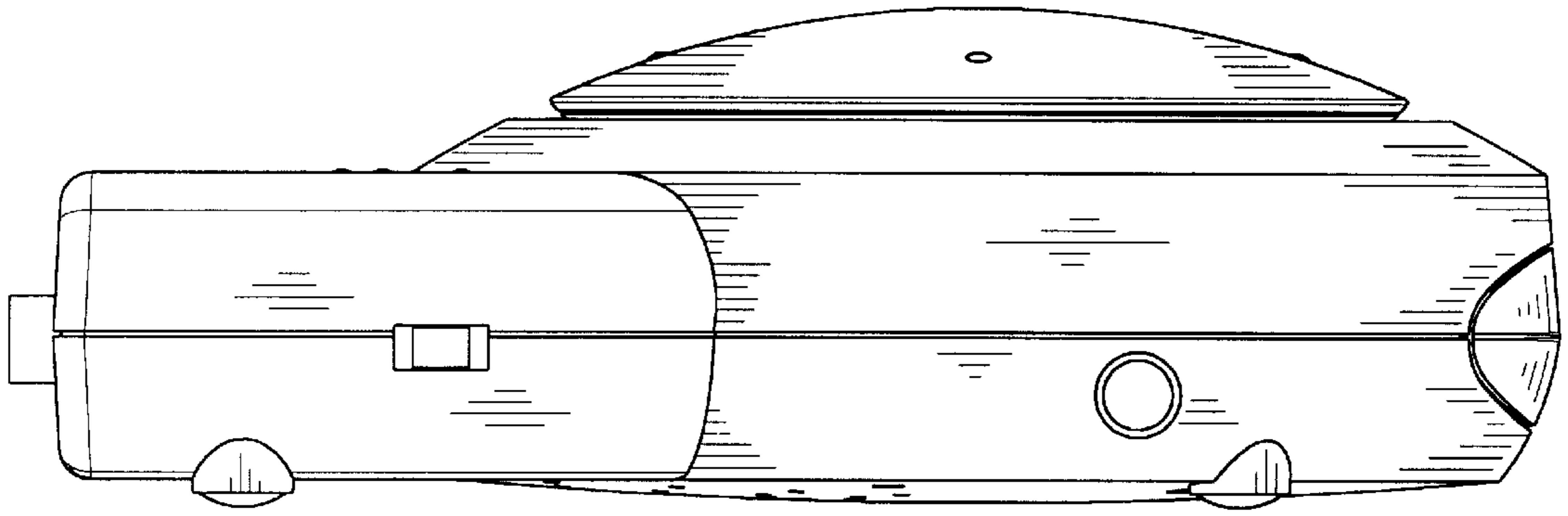


FIG. 4

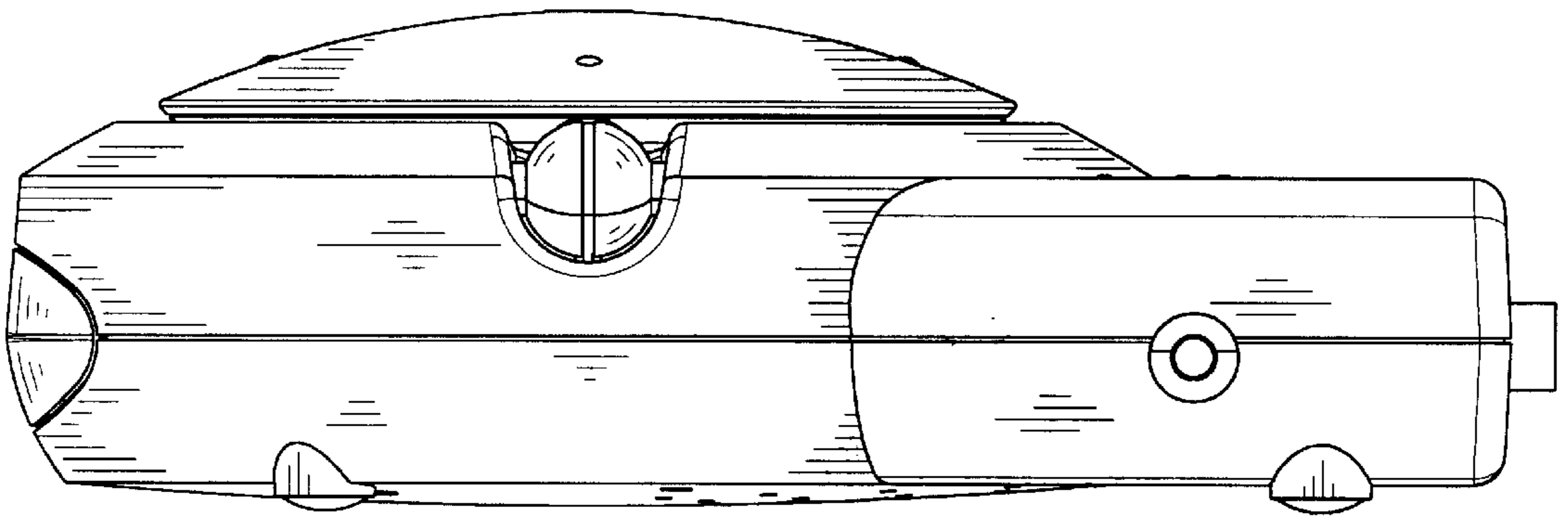


FIG. 5

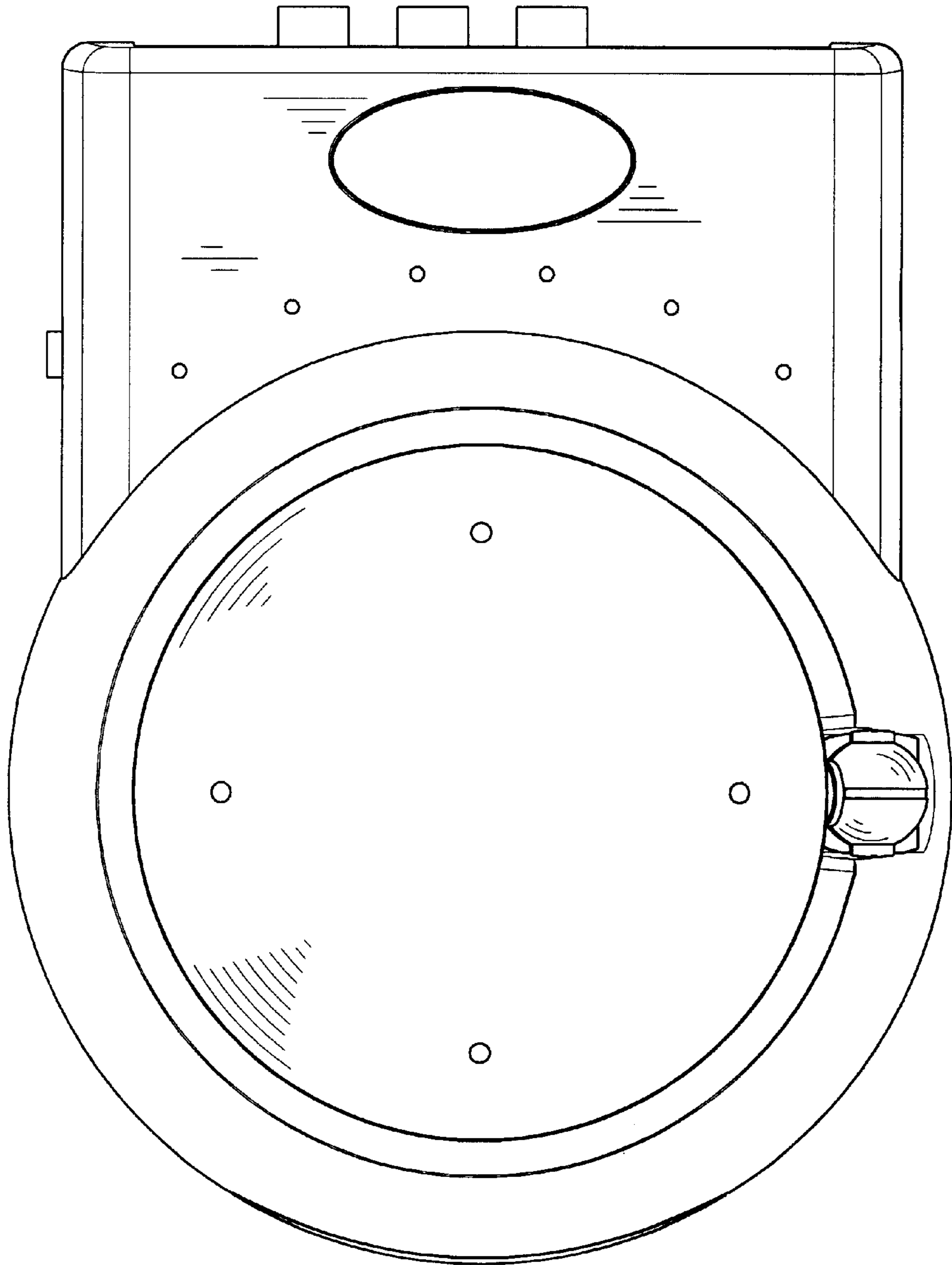


FIG. 6

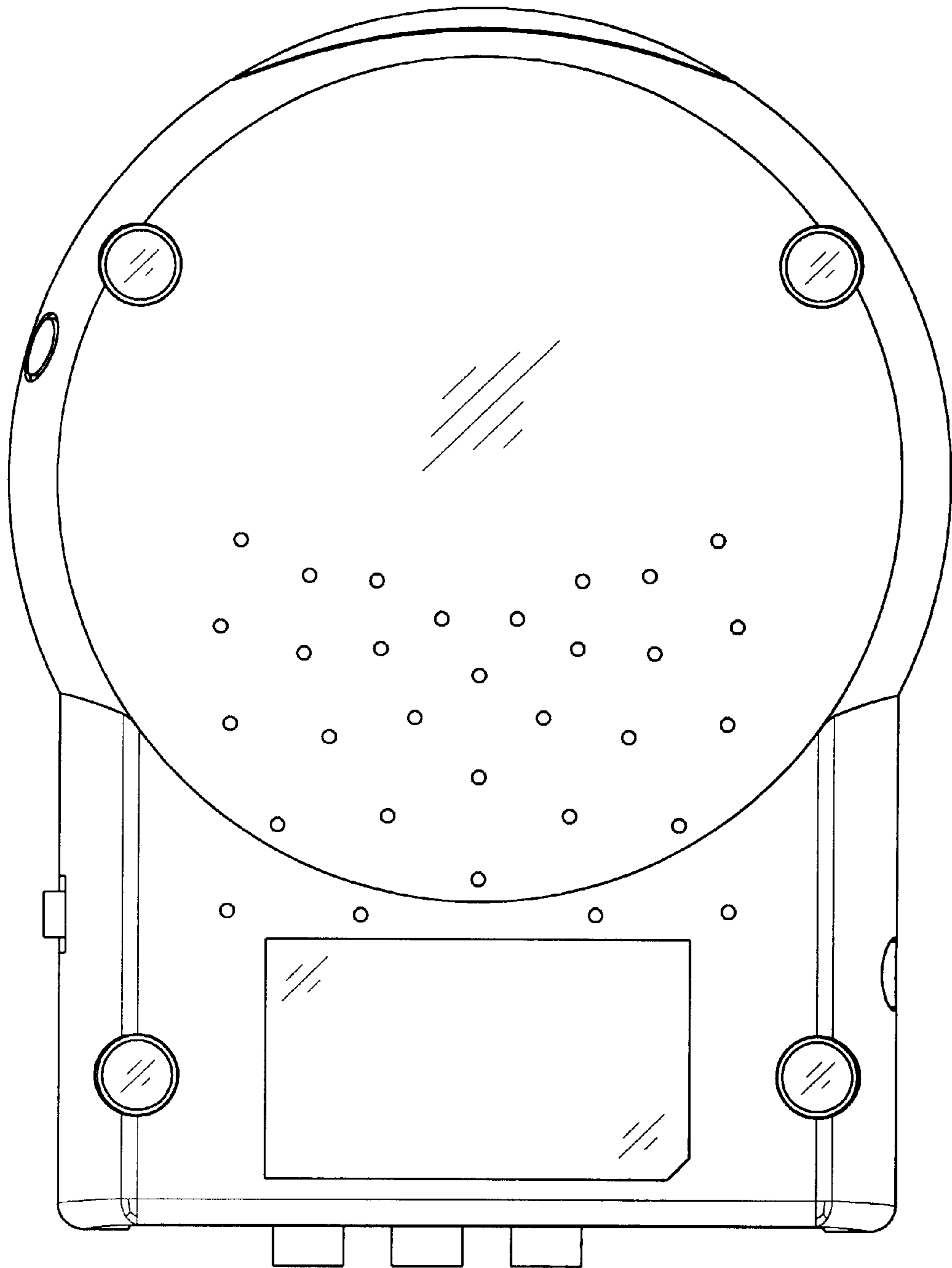


FIG. 7

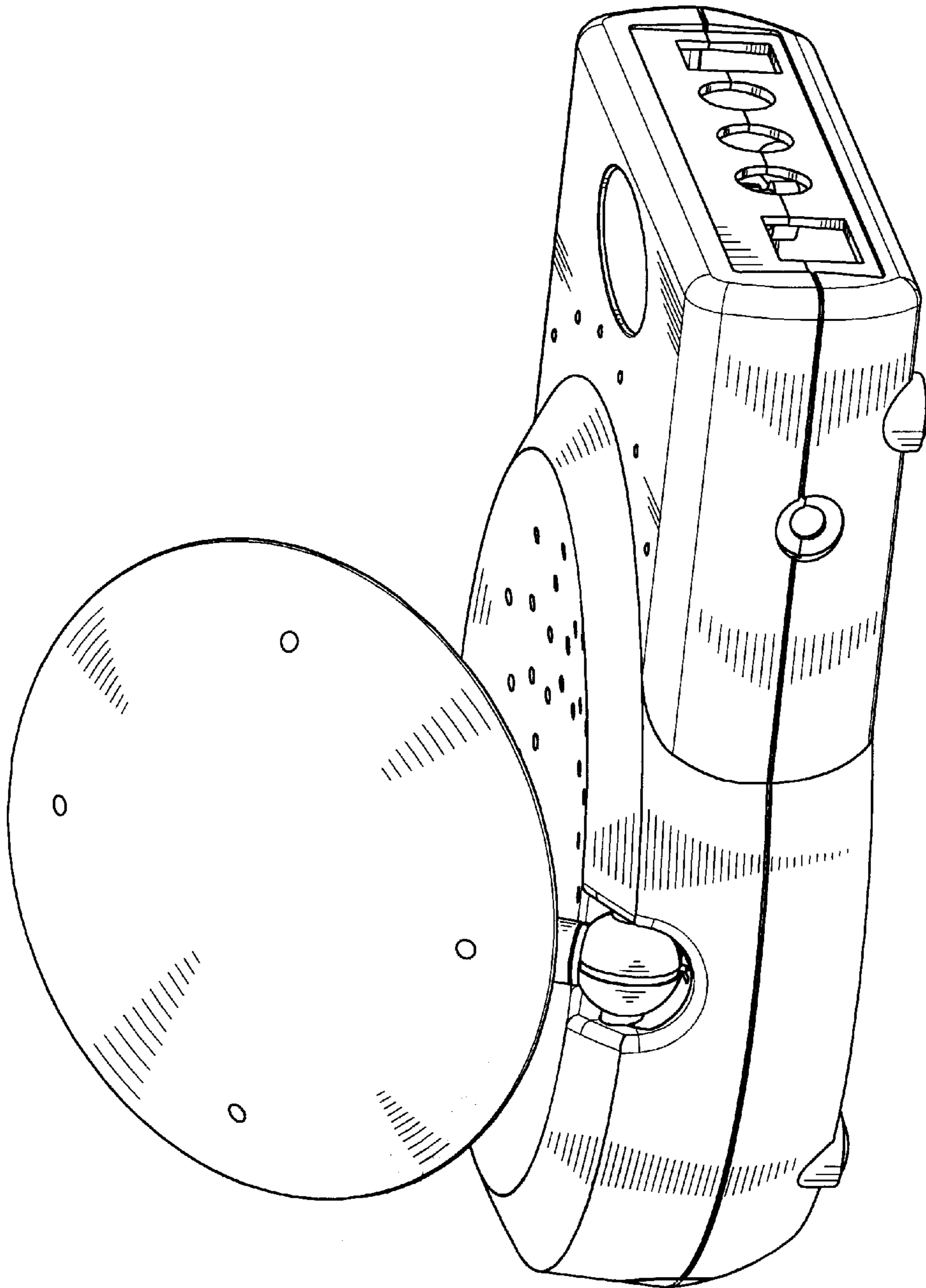


FIG. 8