



US00D448751B1

(12) **United States Design Patent**
Pham et al.

(10) **Patent No.:** **US D448,751 S**

(45) **Date of Patent:** **** Oct. 2, 2001**

(54) **EARPHONE HEADSET**

5,793,865 * 8/1998 Leifer 381/187 X
5,793,878 * 8/1998 Chang 381/183

(75) Inventors: **Hoa Pham**, St. Paul; **Michael Carpenter**, Brooklyn Park, both of MN (US)

* cited by examiner

Primary Examiner—Nanda Bondade

(74) *Attorney, Agent, or Firm*—Fredrikson & Byron, P.A.

(73) Assignee: **Telex Communications, Inc.**, Burnsville, MN (US)

(57) **CLAIM**

(**) Term: **14 Years**

The ornamental design for an earphone headset, as shown and described.

(21) Appl. No.: **29/132,207**

DESCRIPTION

(22) Filed: **Nov. 3, 2000**

FIG. 1 is a front and right side perspective view of an earphone headset showing our new design;

(51) **LOC (7) Cl.** **14-01**

FIG. 2 is a top plan view thereof;

(52) **U.S. Cl.** **D14/206**

FIG. 3 is a rear elevational view thereof;

(58) **Field of Search** D14/142, 192, D14/205, 206, 223; 181/129, 130, 135; 379/430, 431; 381/151, 183, 187

FIG. 4 is a left side elevational view thereof;

FIG. 5 is a right side elevational view thereof;

FIG. 6 is a front elevational view thereof; and,

FIG. 7 is a bottom plan view thereof.

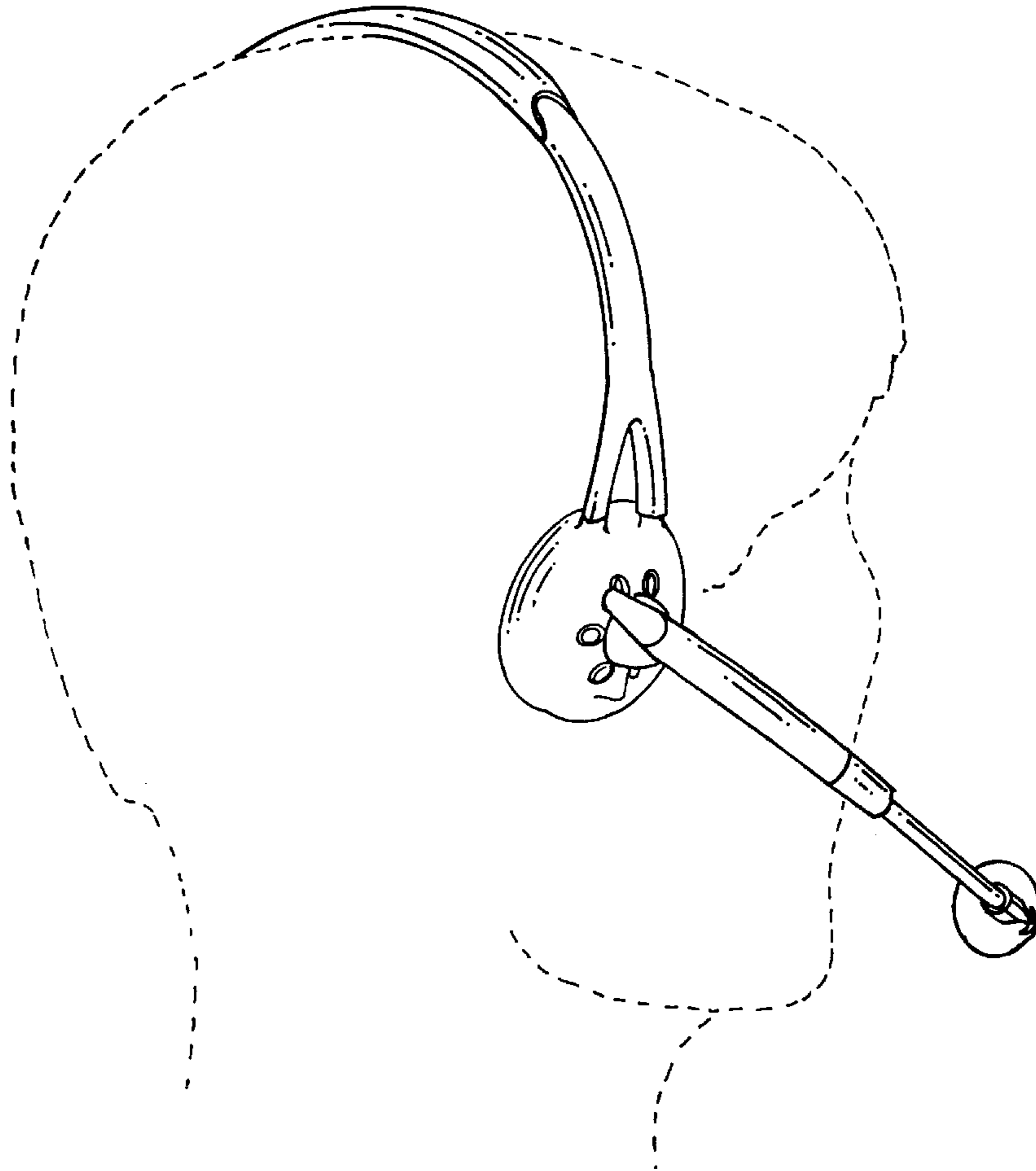
(56) **References Cited**

The broken line showing of the wearer in FIG. 1 is for illustrative purposes only and forms no part of the claimed design.

U.S. PATENT DOCUMENTS

- D. 375,313 * 11/1996 Jensen et al. D14/206
- D. 394,437 * 5/1998 Landreth et al. D14/206

1 Claim, 7 Drawing Sheets



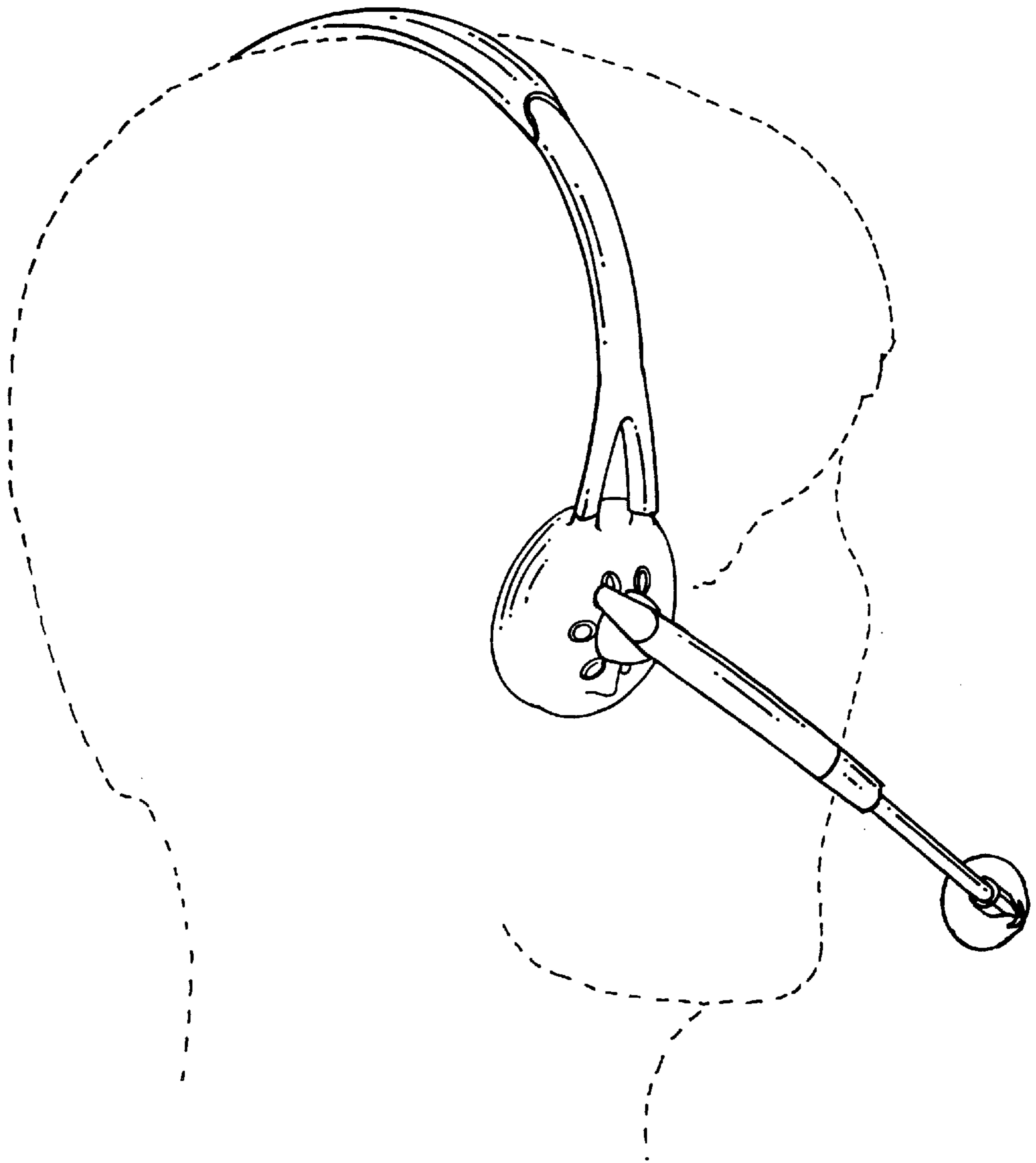


FIG. 1

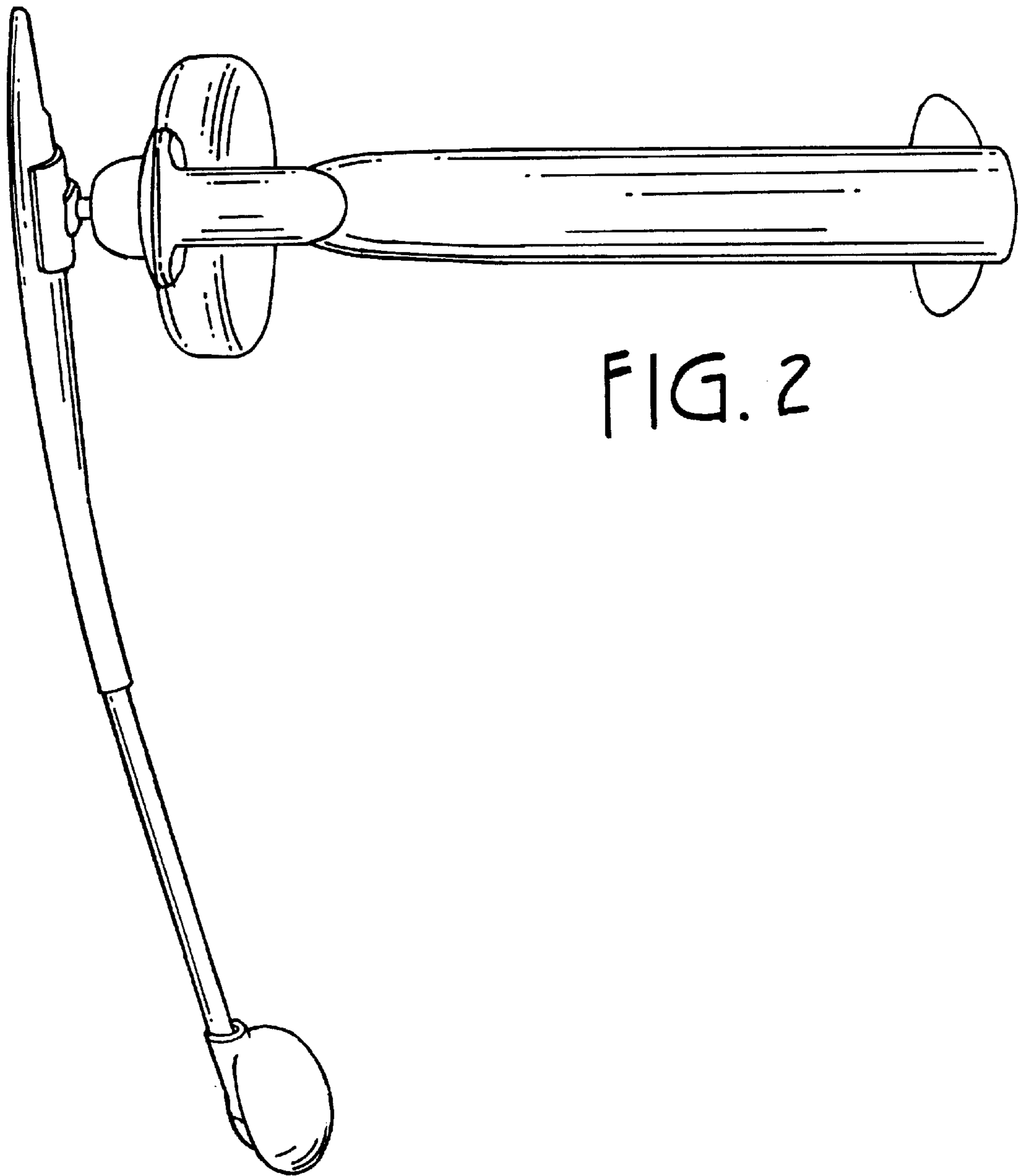


FIG. 2

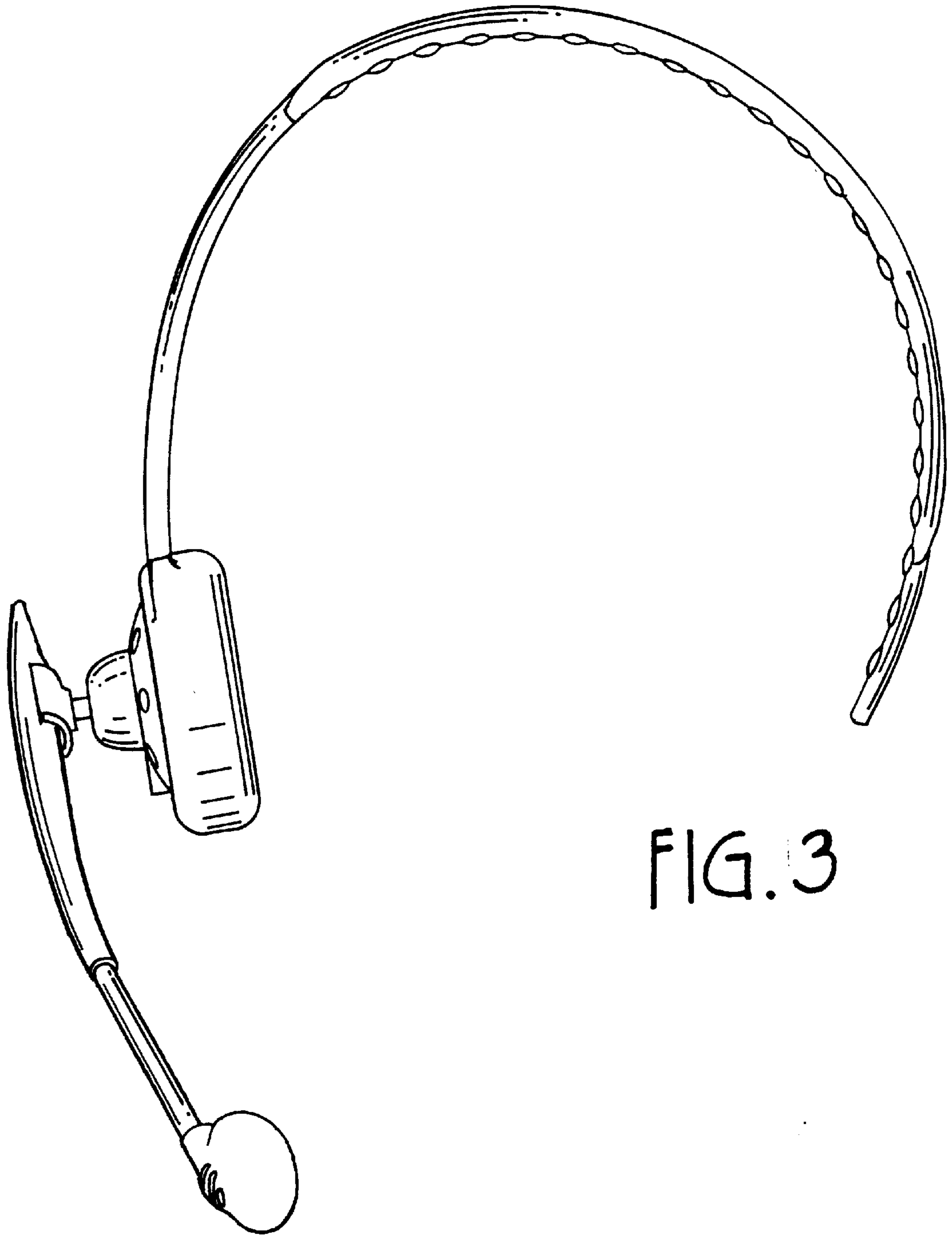


FIG. 3

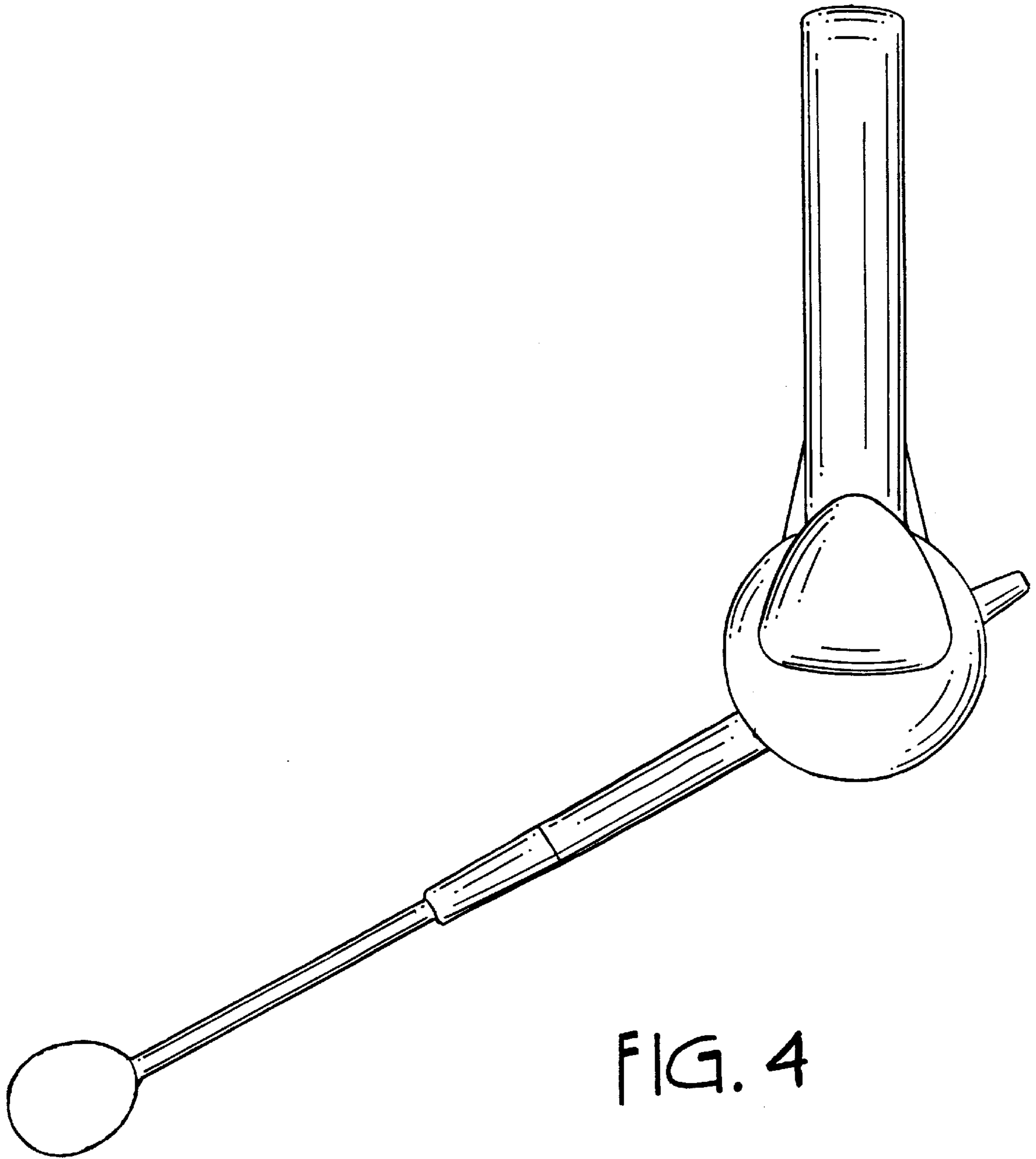


FIG. 4

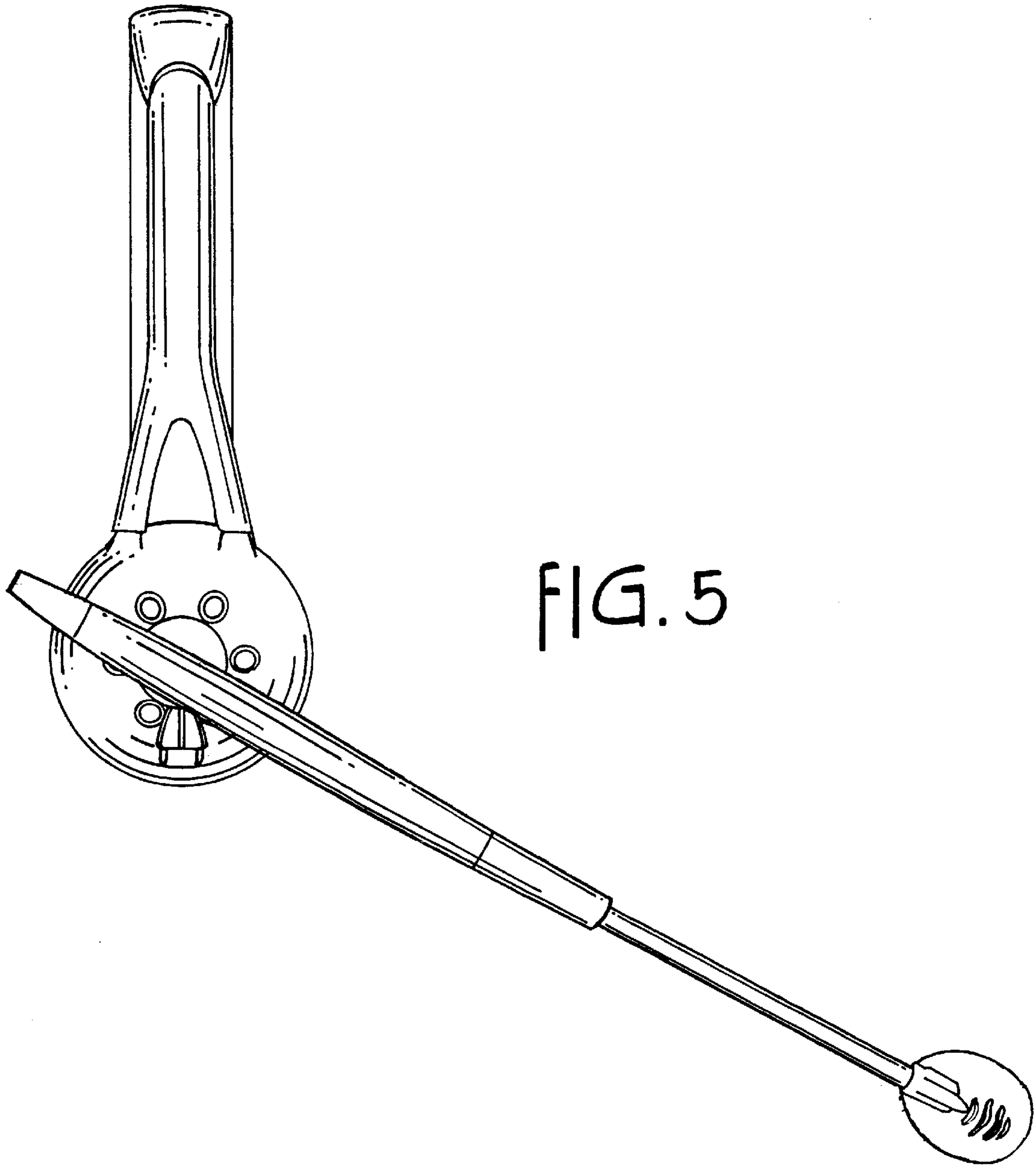


FIG. 5

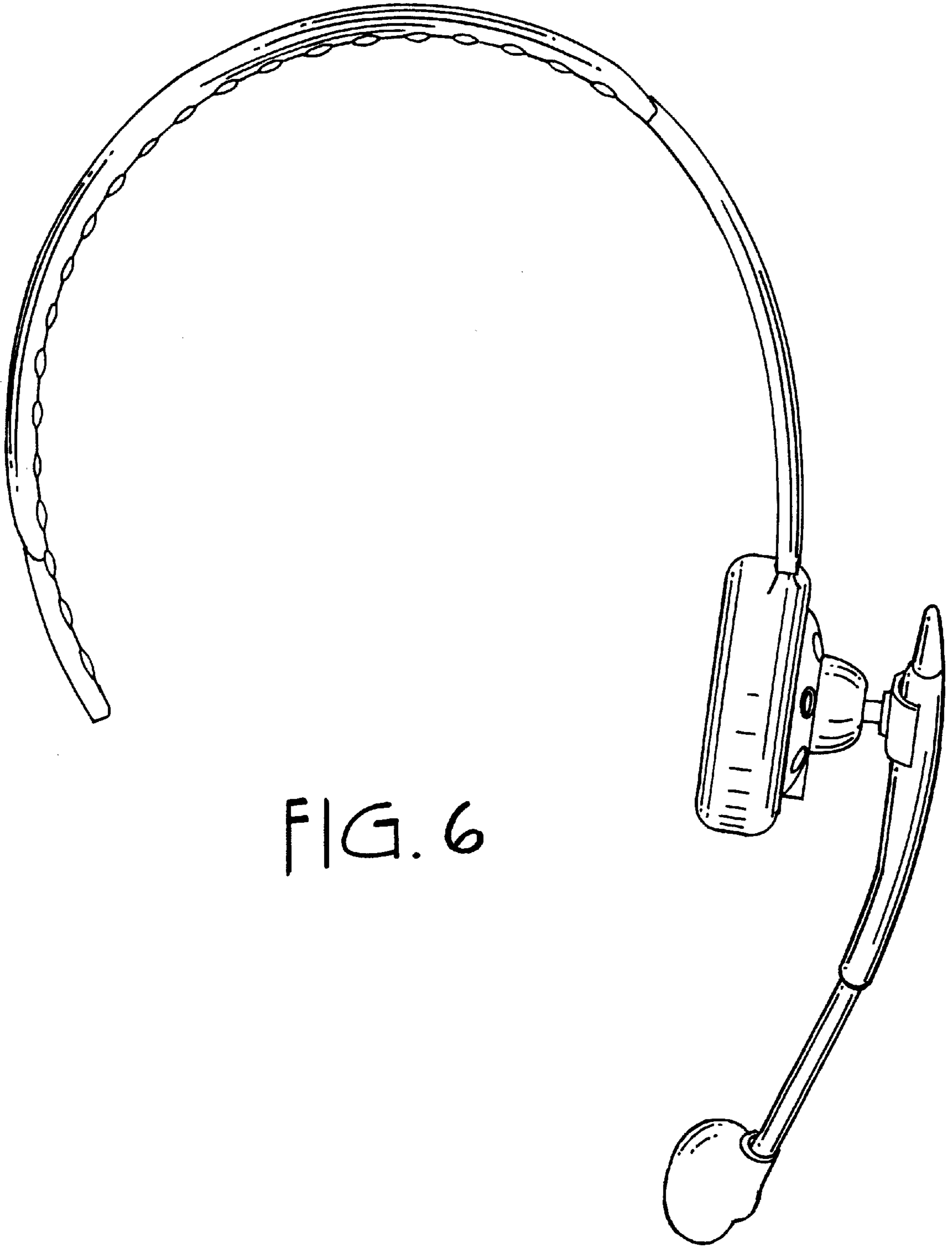


FIG. 6

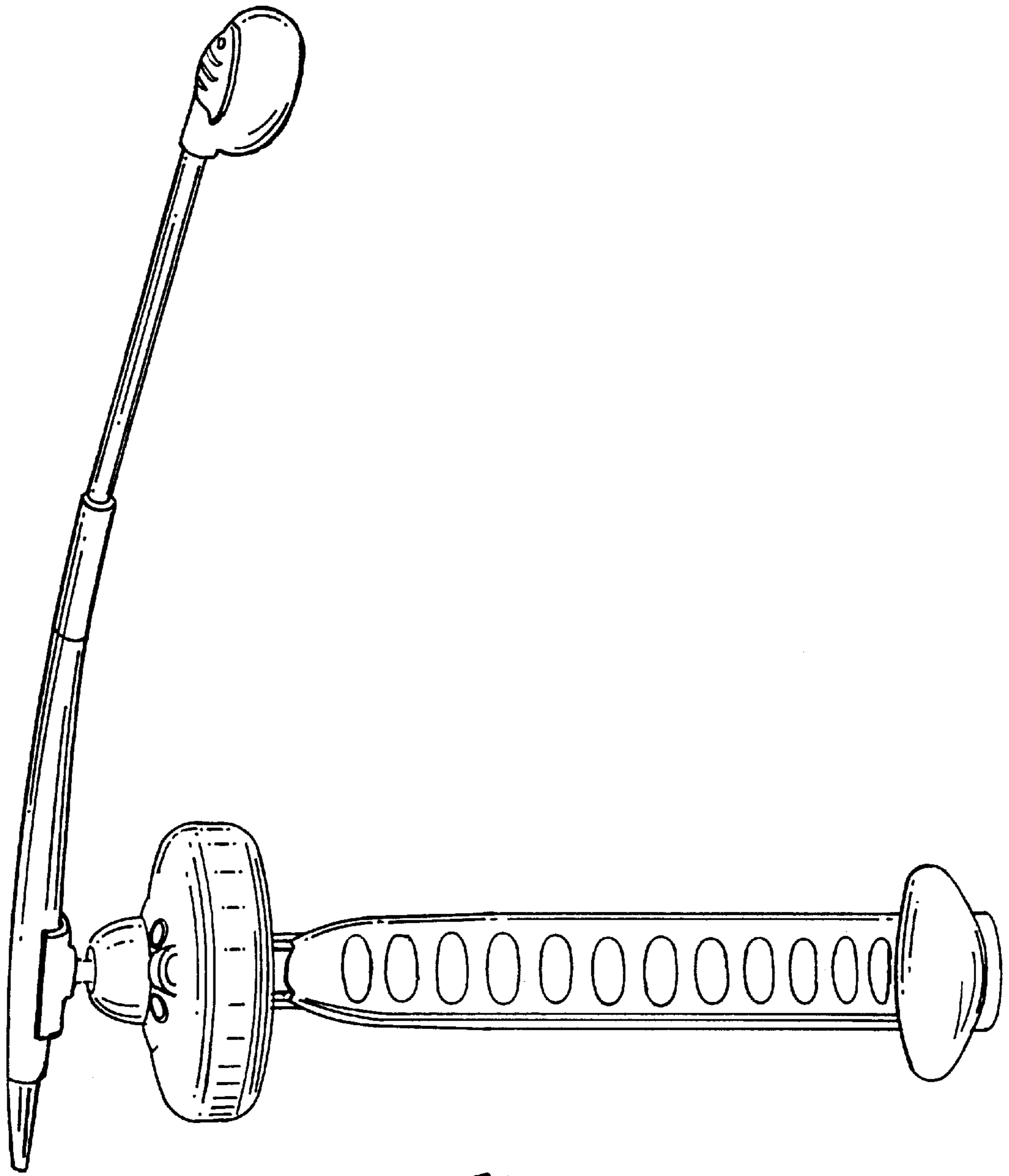


FIG. 7