



US00D448747B1

(12) **United States Design Patent**
Kataoka

(10) **Patent No.:** **US D448,747 S**

(45) **Date of Patent:** **** Oct. 2, 2001**

(54) **DISC PLAYER**

5,642,344 * 6/1997 Yamada 369/77.2

(75) Inventor: **Tetsu Kataoka**, Tokyo (JP)

* cited by examiner

(73) Assignee: **Sony Corporation**, Tokyo (JP)

Primary Examiner—Nanda Bondade

(**) Term: **14 Years**

(74) *Attorney, Agent, or Firm*—Rader, Fishman & Grauer, PLLC

(21) Appl. No.: **29/131,708**

(57) **CLAIM**

(22) Filed: **Oct. 27, 2000**

The ornamental design for a disc player, as shown and described.

(51) **LOC (7) Cl.** **14-01**

(52) **U.S. Cl.** **D14/156**

(58) **Field of Search** D14/135, 136,
D14/156, 157, 162; 369/75.1, 75.2, 77.1,
77.2

DESCRIPTION

(56) **References Cited**

U.S. PATENT DOCUMENTS

- D. 316,088 * 4/1991 Yamamori D14/156
- D. 405,082 * 2/1999 Shibuta D14/156
- D. 410,463 * 6/1999 Hattori D14/156
- D. 415,757 * 10/1999 Takahashi et al. D14/156
- D. 431,544 * 10/2000 Kobayashi D14/135

FIG. 1 is a perspective view of a disc player showing my new design;

FIG. 2 is a top plan view thereof;

FIG. 3 is a bottom plan view thereof;

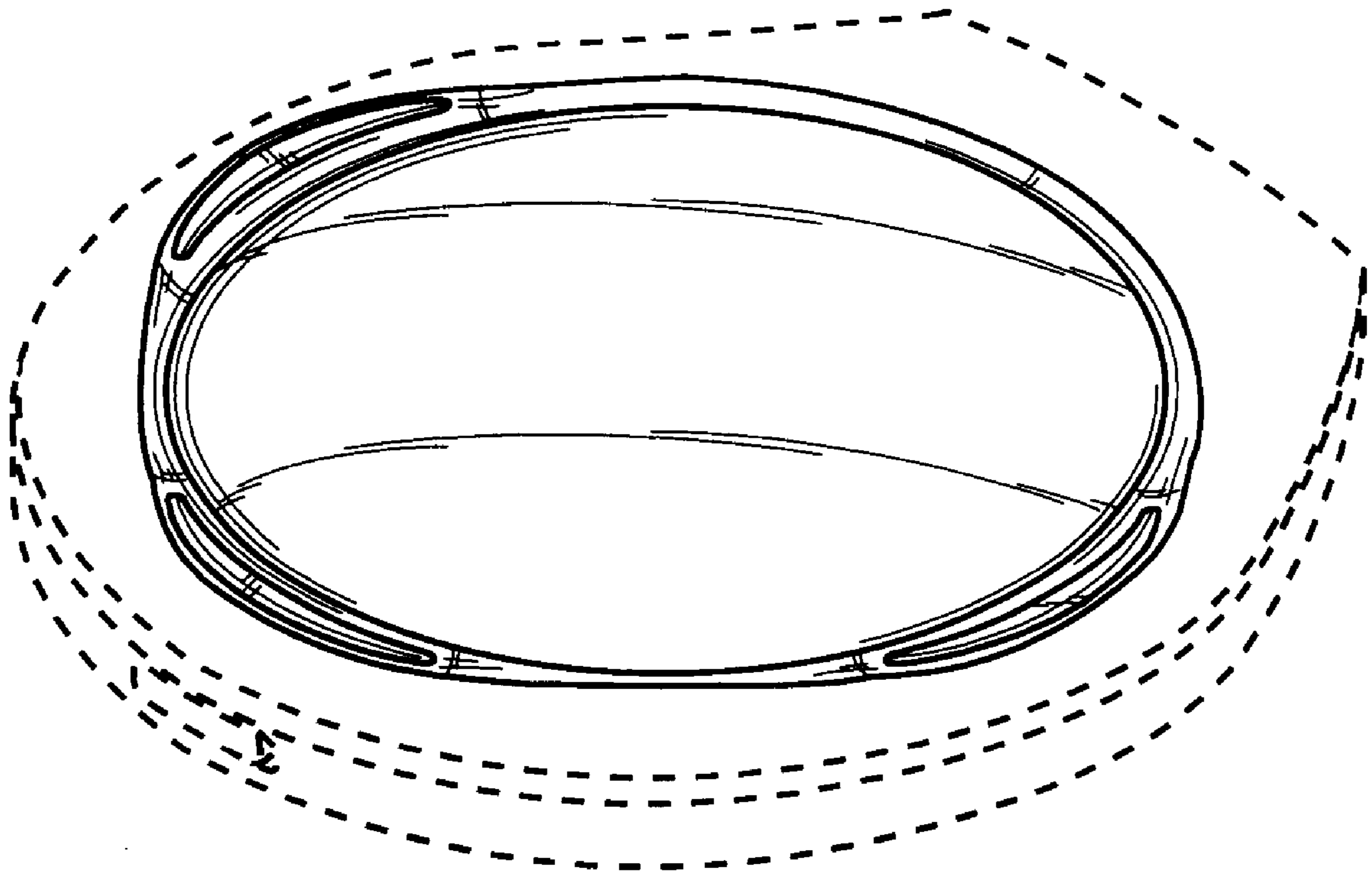
FIG. 4 is a left side elevational view thereof;

FIG. 5 is a right side elevational view thereof; and,

FIG. 6 is a front elevational view thereof.

Portions in broken lines are for illustrative purposes only and form no part of claimed design.

1 Claim, 4 Drawing Sheets



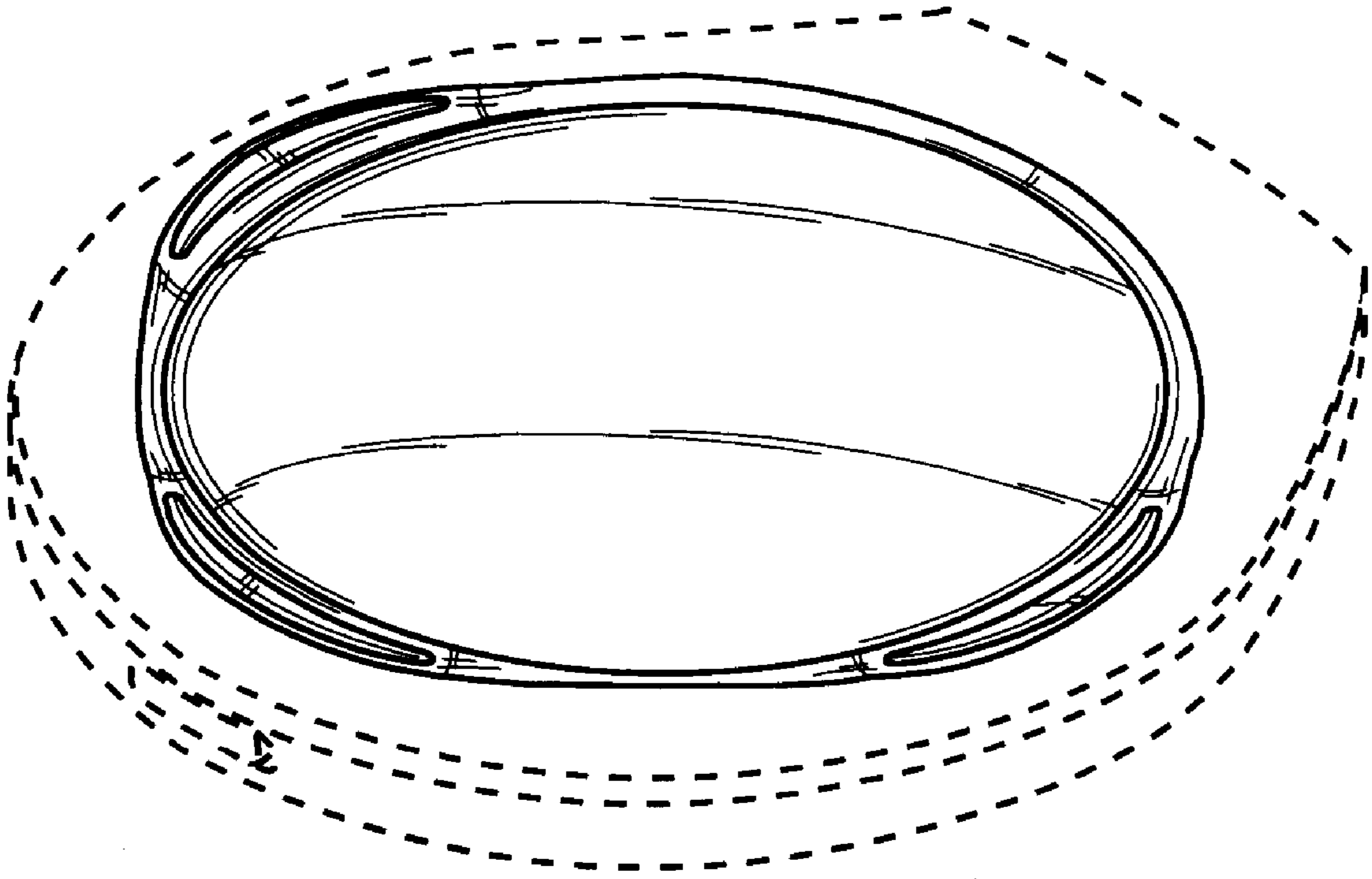


Fig. 1

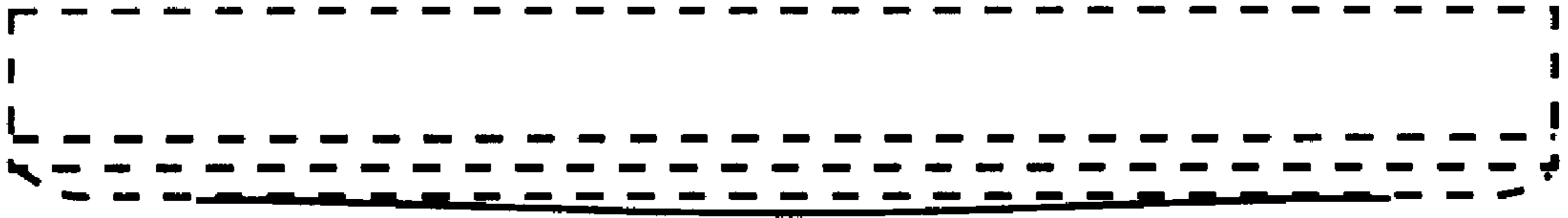


Fig. 2

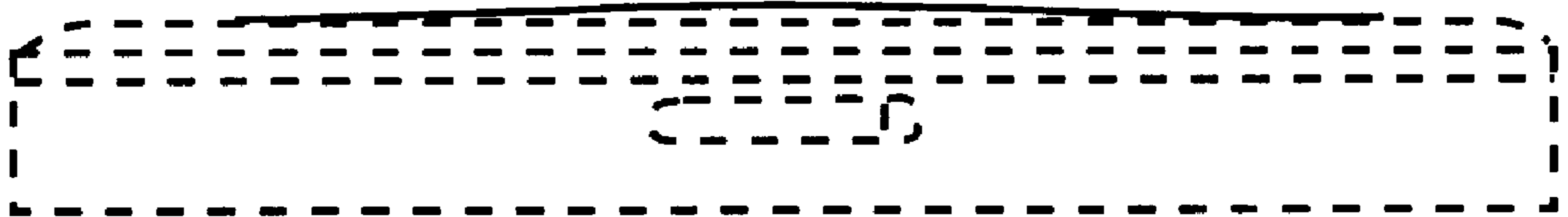


Fig. 3



Fig. 4



Fig. 5

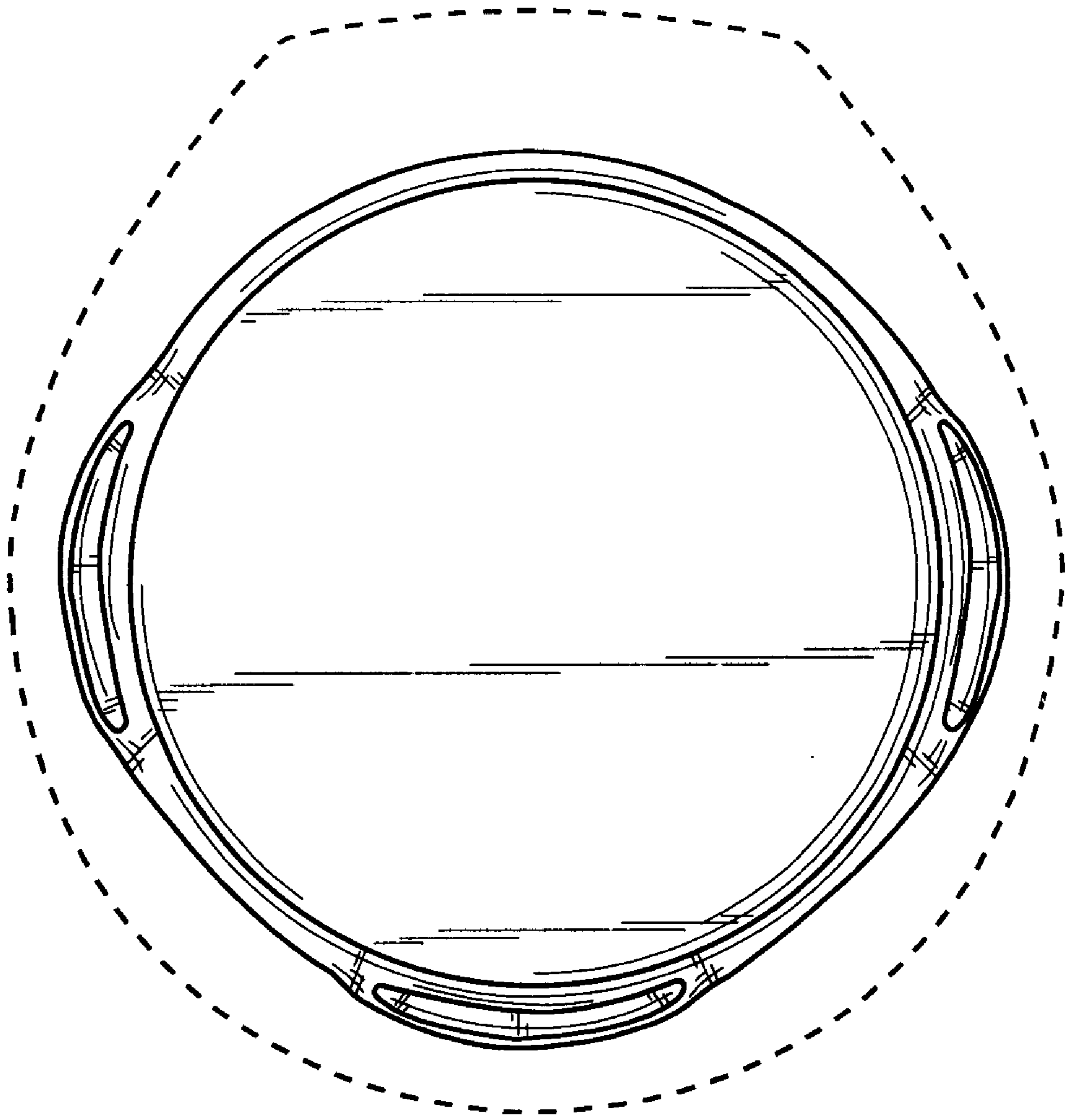


Fig. 6