



US00D448746B1

(12) **United States Design Patent**
Gorman et al.

(10) **Patent No.:** **US D448,746 S**

(45) **Date of Patent:** **** Oct. 2, 2001**

(54) **TELEPHONE ATTENDANT CONSOLE**

(75) Inventors: **Chris Gorman; Michael S. McGuire;**
David Nogas, all of Ottawa (CA)

(73) Assignee: **Mitel Corporation, Ontario (CA)**

(**) Term: **14 Years**

(21) Appl. No.: **29/125,848**

(22) Filed: **Jun. 30, 2000**

(51) **LOC (7) Cl.** **14-03**

(52) **U.S. Cl.** **D14/151; D14/247**

(58) **Field of Search** D14/137, 130,
D14/140, 142, 358, 241, 240, 242, 356,
357, 333-340, 317, 247, 329, 330, 392,
399, 391; D13/108, 184; 379/419, 420,
368, 428, 440, 399, 412; 455/550-575,
90

(56) **References Cited**

U.S. PATENT DOCUMENTS

D. 251,296	*	3/1979	Haas	D14/241
D. 273,954	*	5/1984	Bee	D14/241
D. 297,138	*	8/1988	Culver et al.	D14/151
D. 300,320	*	3/1989	Watanabe et al.	D14/241
D. 308,680	*	6/1990	Raggi et al.	D14/241
D. 313,600	*	1/1991	Weber	D14/241
D. 315,896	*	4/1991	Brown	D14/100
D. 323,816	*	2/1992	Buchin	D14/100
D. 327,881	*	7/1992	McFarlane	D14/115
D. 340,052	*	10/1993	Nogas	D14/151

D. 341,360	*	11/1993	Yamazaki	D14/115
D. 344,521	*	2/1994	Dezonne et al.	D14/241
D. 348,452	*	7/1994	Riley et al.	D14/115
D. 351,166	*	10/1994	Wan	D14/151
D. 368,478	*	4/1996	Bernstein et al.	D14/247
D. 375,092	*	10/1996	Hilsenrath et al.	D14/142
D. 391,955	*	3/1998	Nagele et al.	D14/150
D. 421,060	*	3/2000	Montalbo et al.	D14/151
D. 440,606	*	4/2001	Chou	D14/399
5,889,859	*	3/1999	Lundell et al.	379/428

* cited by examiner

Primary Examiner—Jeffrey Asch

(74) *Attorney, Agent, or Firm*—F.Chau & Associates, LLP

(57) **CLAIM**

The ornamental design for a telephone attendant console, as shown.

DESCRIPTION

FIG. 1 is a perspective view taken from the side and from above of the telephone attendant console according to the present design;

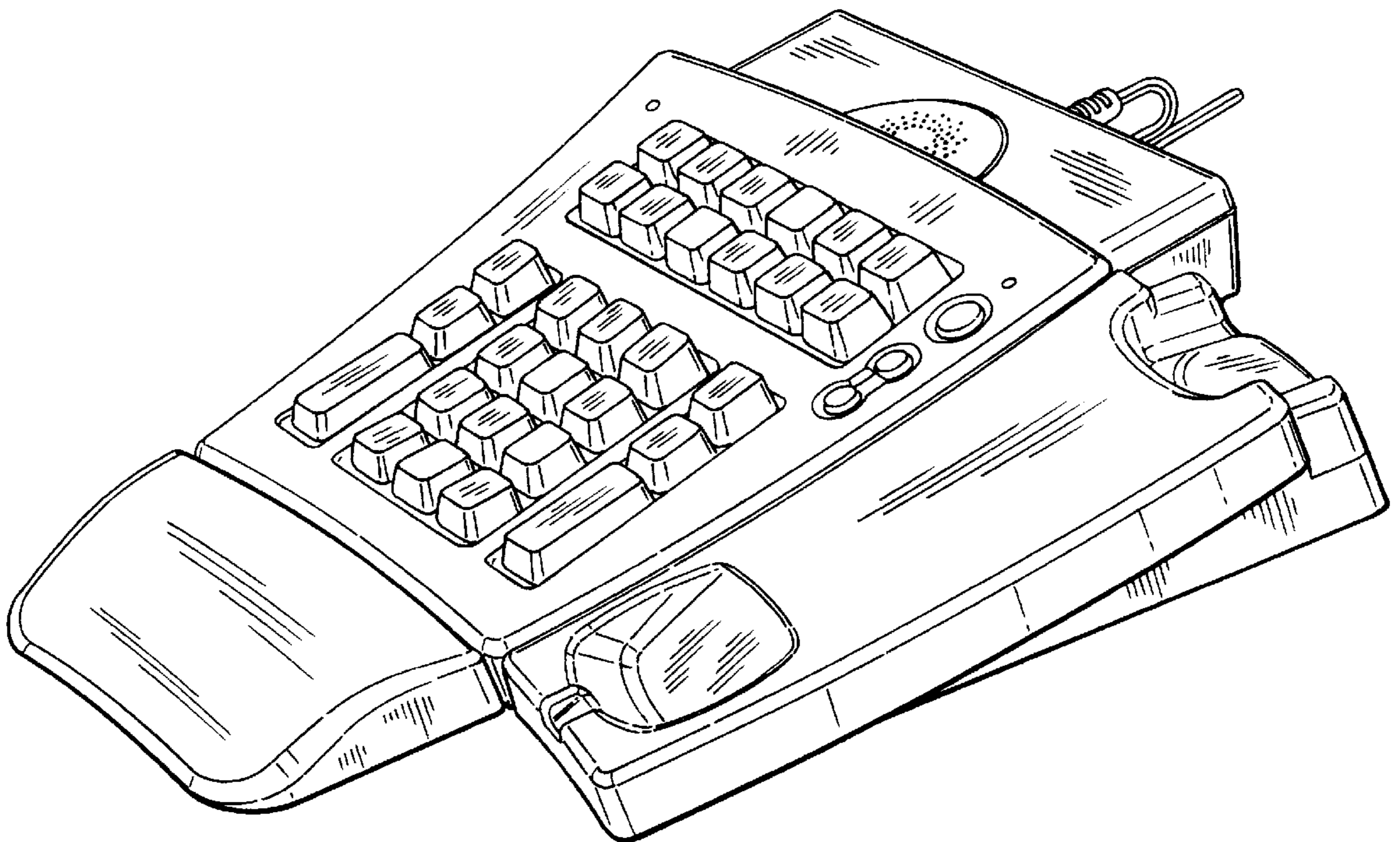
FIG. 2 is a perspective view taken from the side and from below of the telephone attendant console;

FIG. 3 is a top plan view of the telephone attendant console of FIG. 1;

FIG. 4 is a left side elevation view of the telephone attendant console of FIG. 1; and,

FIG. 5 is a rear view of the telephone attendant console of FIG. 1.

1 Claim, 4 Drawing Sheets



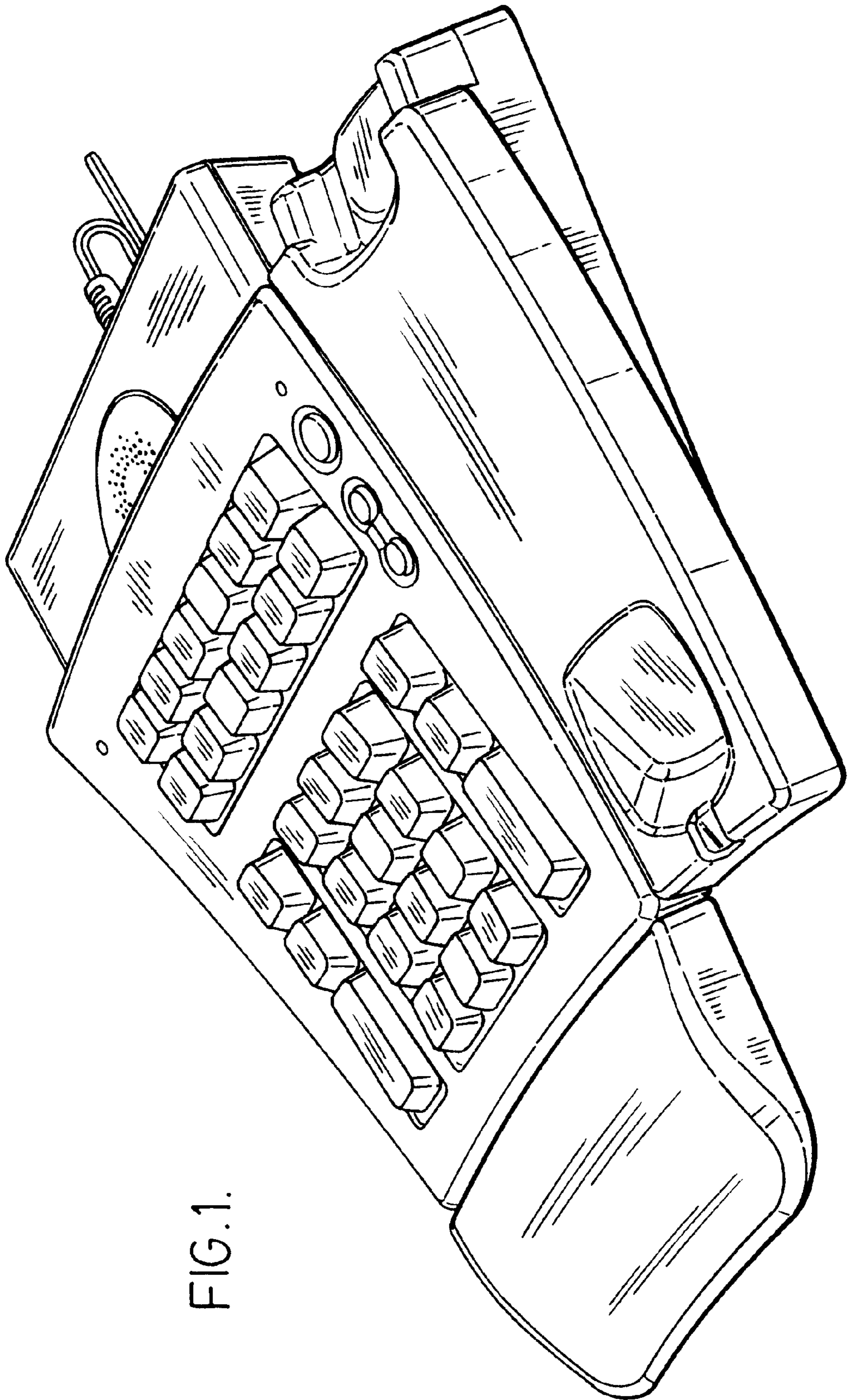


FIG. 1.

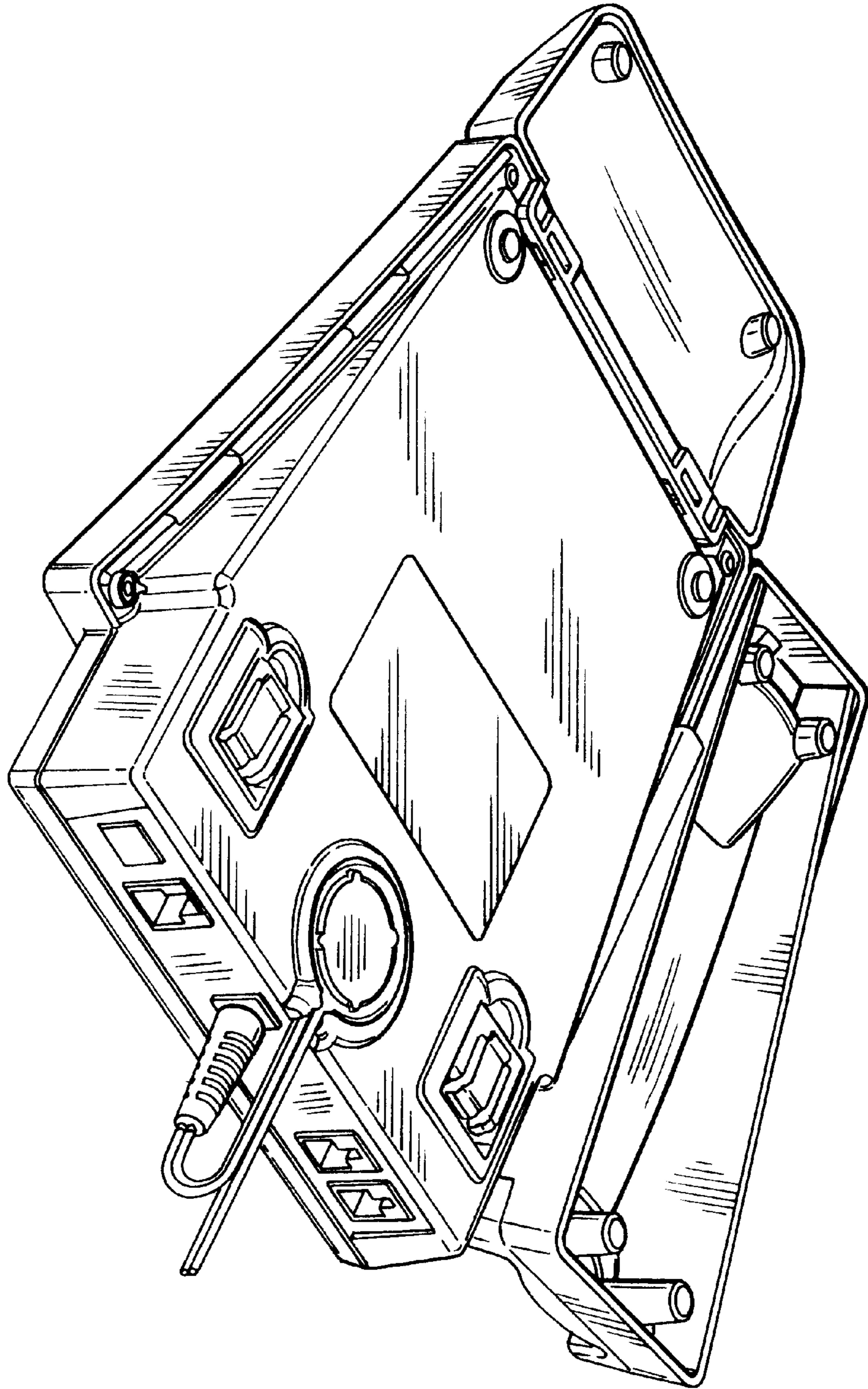
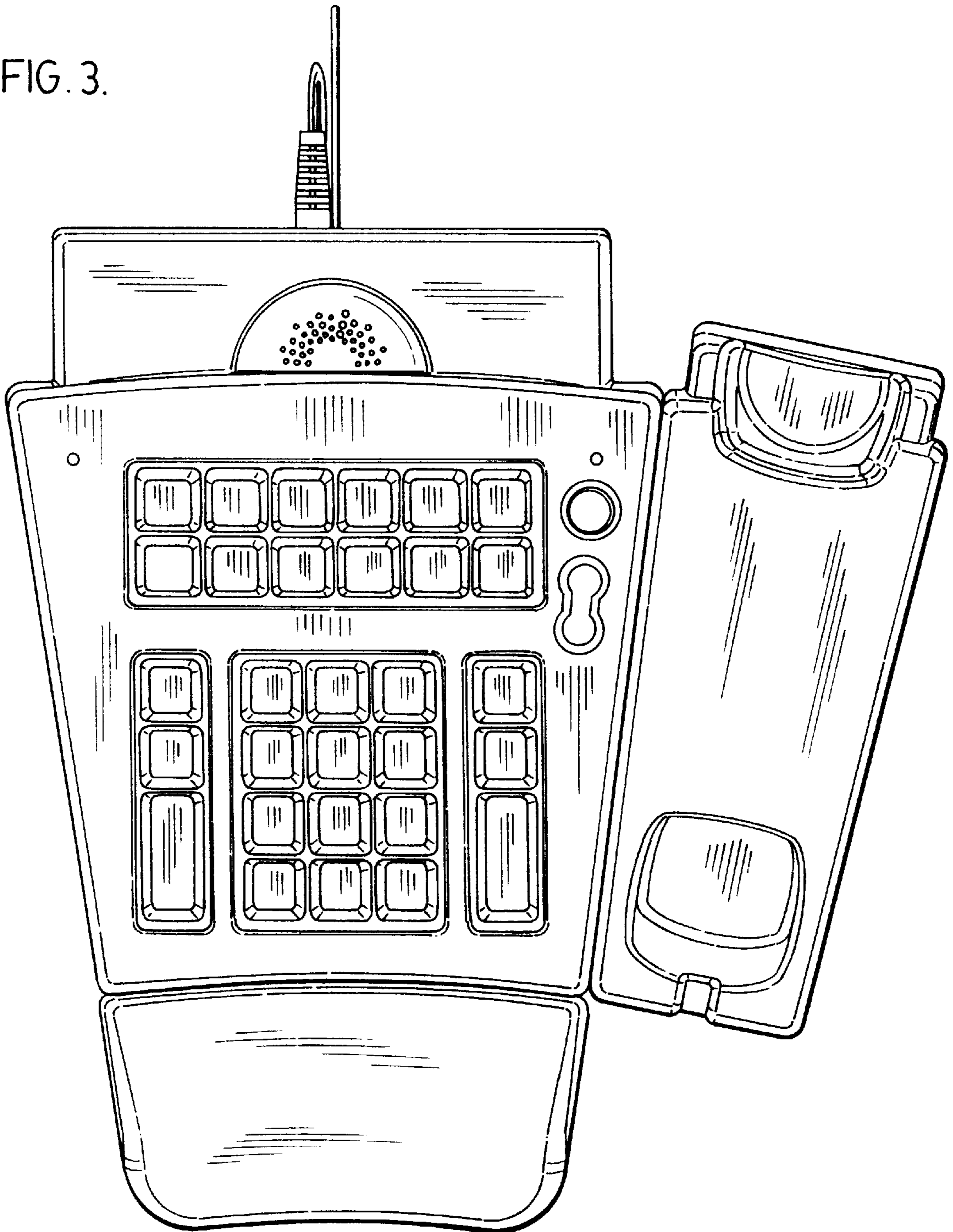


FIG. 2.

FIG. 3.



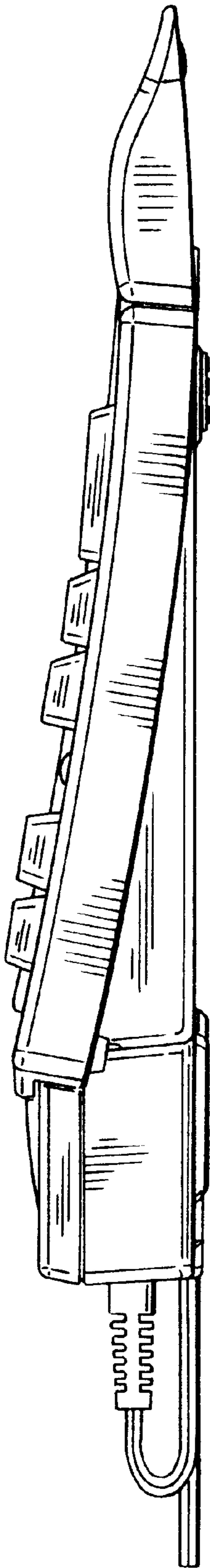


FIG. 4.

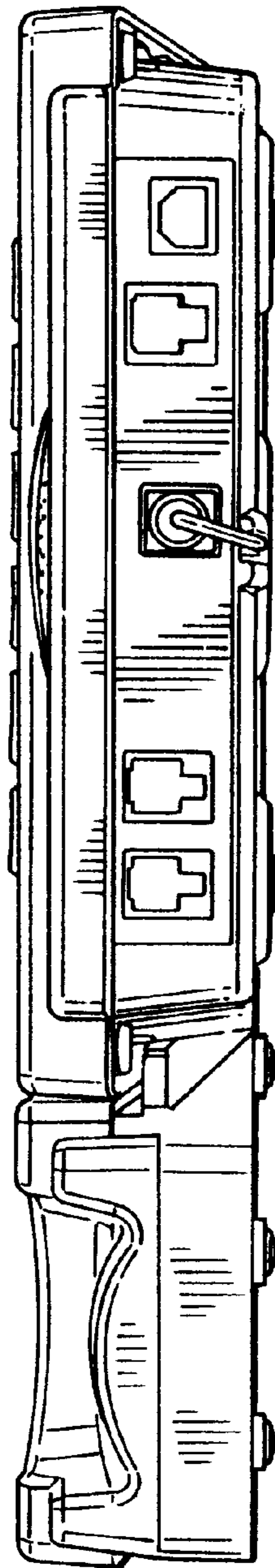


FIG. 5.