



US00D448739B1

(12) **United States Design Patent**
Iwasaki et al.

(10) **Patent No.:** **US D448,739 S**

(45) **Date of Patent:** **** Oct. 2, 2001**

(54) **SEMICONDUCTOR DEVICE**

(75) Inventors: **Mitsutaka Iwasaki; Hitoshi Toda**, both of Tokyo; **Hisashi Kawafuji**, Fukuoka, all of (JP)

(73) Assignee: **Mitsubishi Denki Kabushiki Kaisha**, Tokyo (JP)

(**) Term: **14 Years**

(21) Appl. No.: **29/138,165**

(22) Filed: **Mar. 8, 2001**

(30) **Foreign Application Priority Data**

Sep. 12, 2000 (JP) 12-025466

(51) **LOC (7) Cl.** **13-03**

(52) **U.S. Cl.** **D13/182**

(58) **Field of Search** D13/182; 174/52.4, 174/52.5; 257/690; 361/752, 798, 820, 748, 736, 737, 761

(56) **References Cited**

U.S. PATENT DOCUMENTS

D. 401,912	*	12/1998	Majumdar et al.	D13/182
D. 421,969	*	3/2000	Kawafuji et al.	D13/182
D. 428,859	*	8/2000	Kawafuji et al.	D13/182
5,089,929	*	2/1992	Hilland	361/111
5,221,859	*	6/1993	Kobayashi et al.	257/676

OTHER PUBLICATIONS

Catalogue of Toshiba Corp., Toshiba APRES series, "Intelligent power module", 1999.

* cited by examiner

Primary Examiner—Brian N. Vinson

(74) *Attorney, Agent, or Firm*—Oblon, Spivak, McClelland, Maier & Neustadt, P.C.

(57) **CLAIM**

The ornamental design for a semiconductor device, as shown and described.

DESCRIPTION

FIG. 1 is a front, top and right side perspective view of a semiconductor device, showing our new design;

FIG. 2 is a front elevational view thereof;

FIG. 3 is a rear elevational view thereof;

FIG. 4 is a top plan view thereof;

FIG. 5 is a bottom plan view thereof;

FIG. 6 is a right side elevational view thereof, the left side elevational view is omitted as that is symmetrical to the right side elevational view thereof;

FIG. 7 is an enlarged cross-sectional view thereof, taken along line 7—7 of FIG. 2, with the internal system omitted; and,

FIG. 8 is an enlarged cross-sectional view thereof, taken along line 8—8 of FIG. 2, with the internal system omitted.

1 Claim, 4 Drawing Sheets

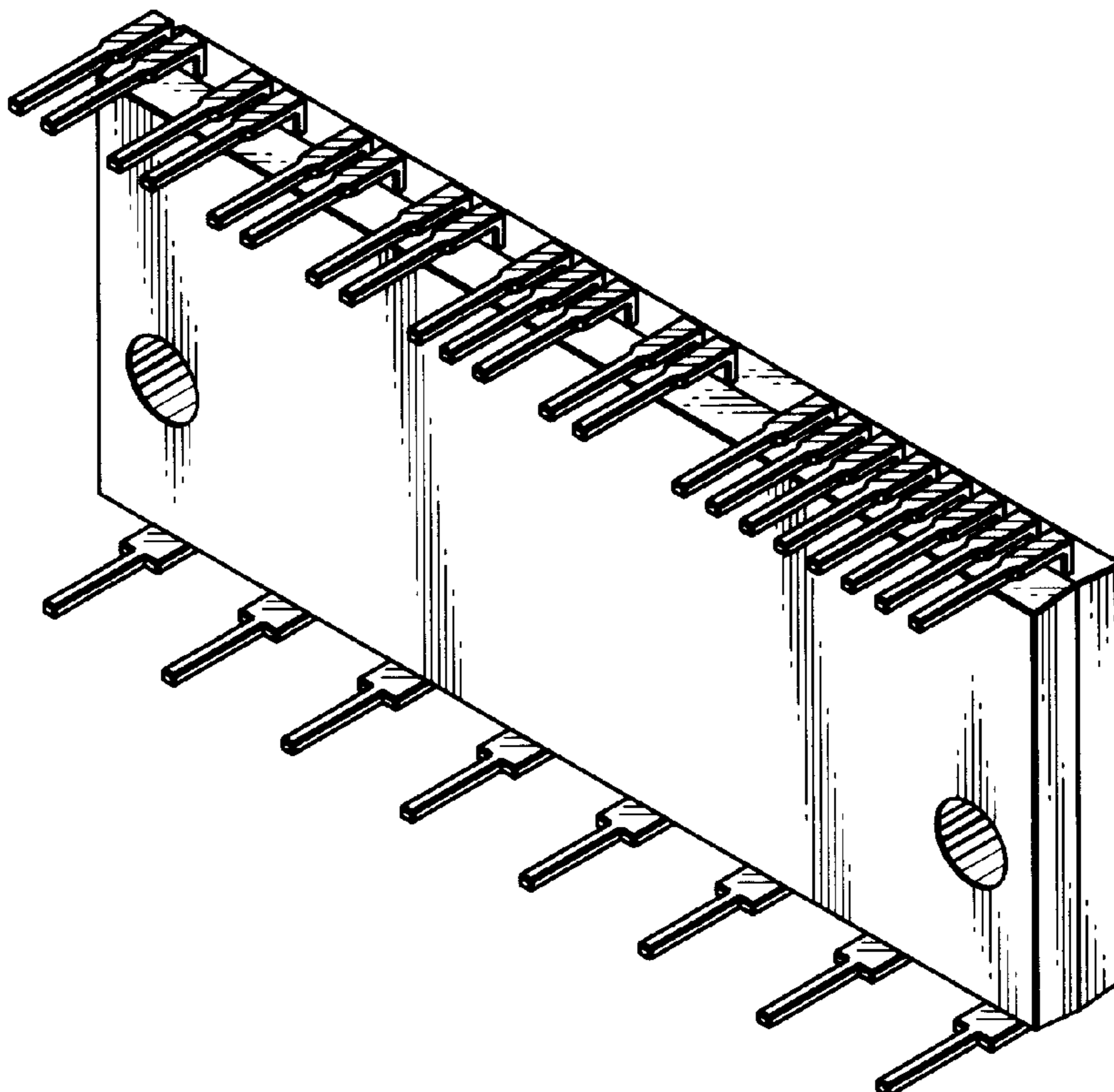


FIG. 1

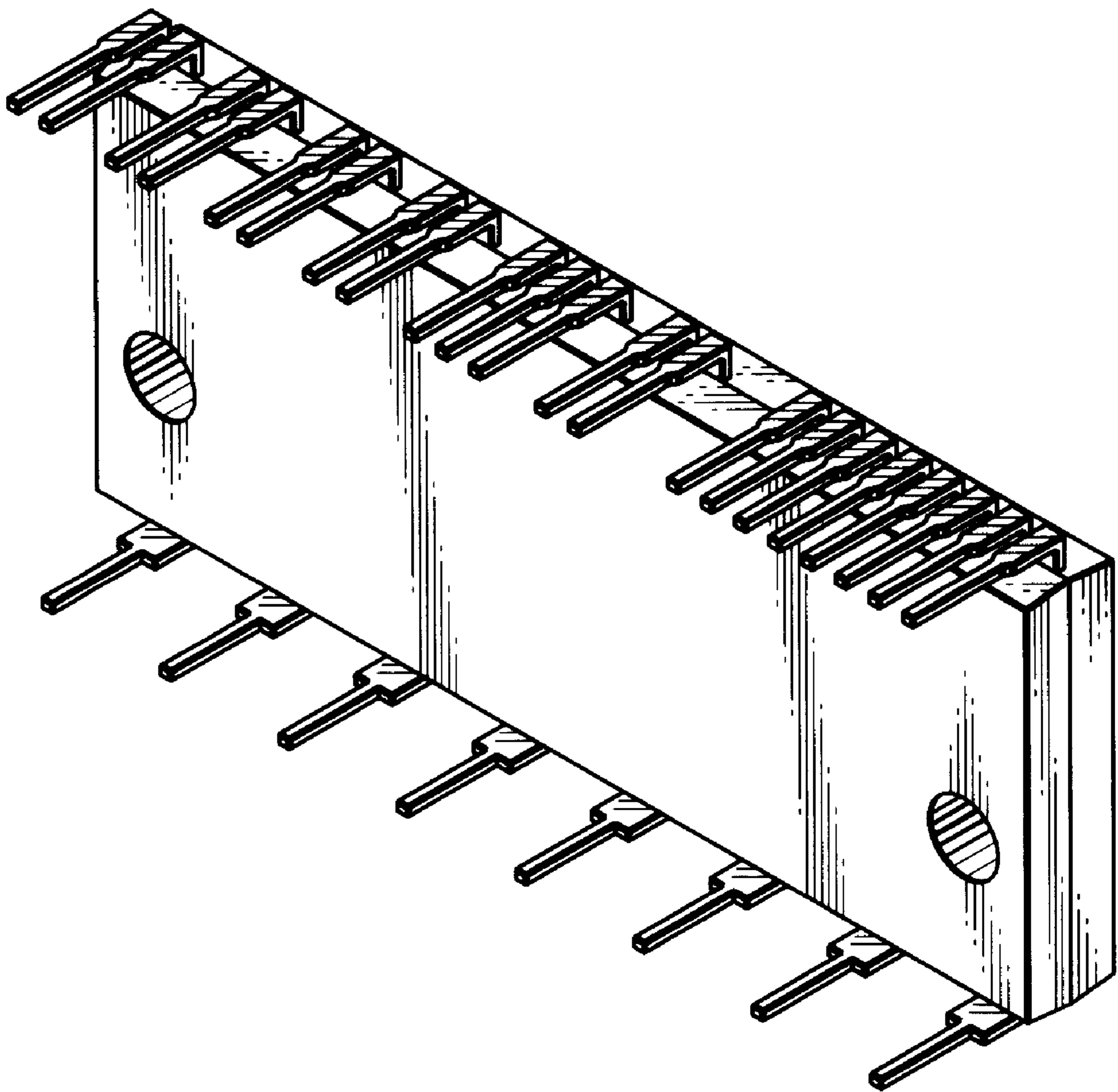


FIG.2

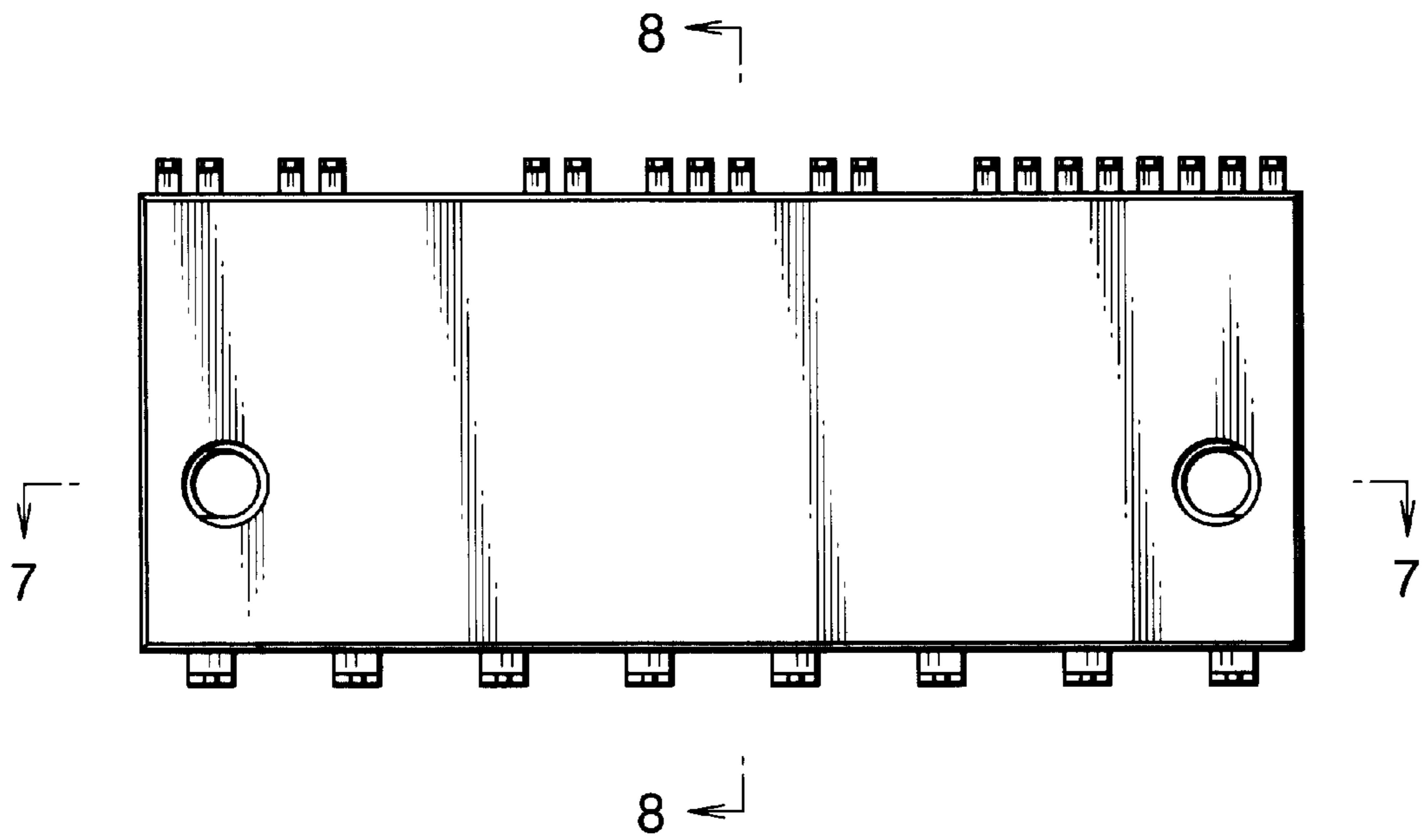


FIG.3

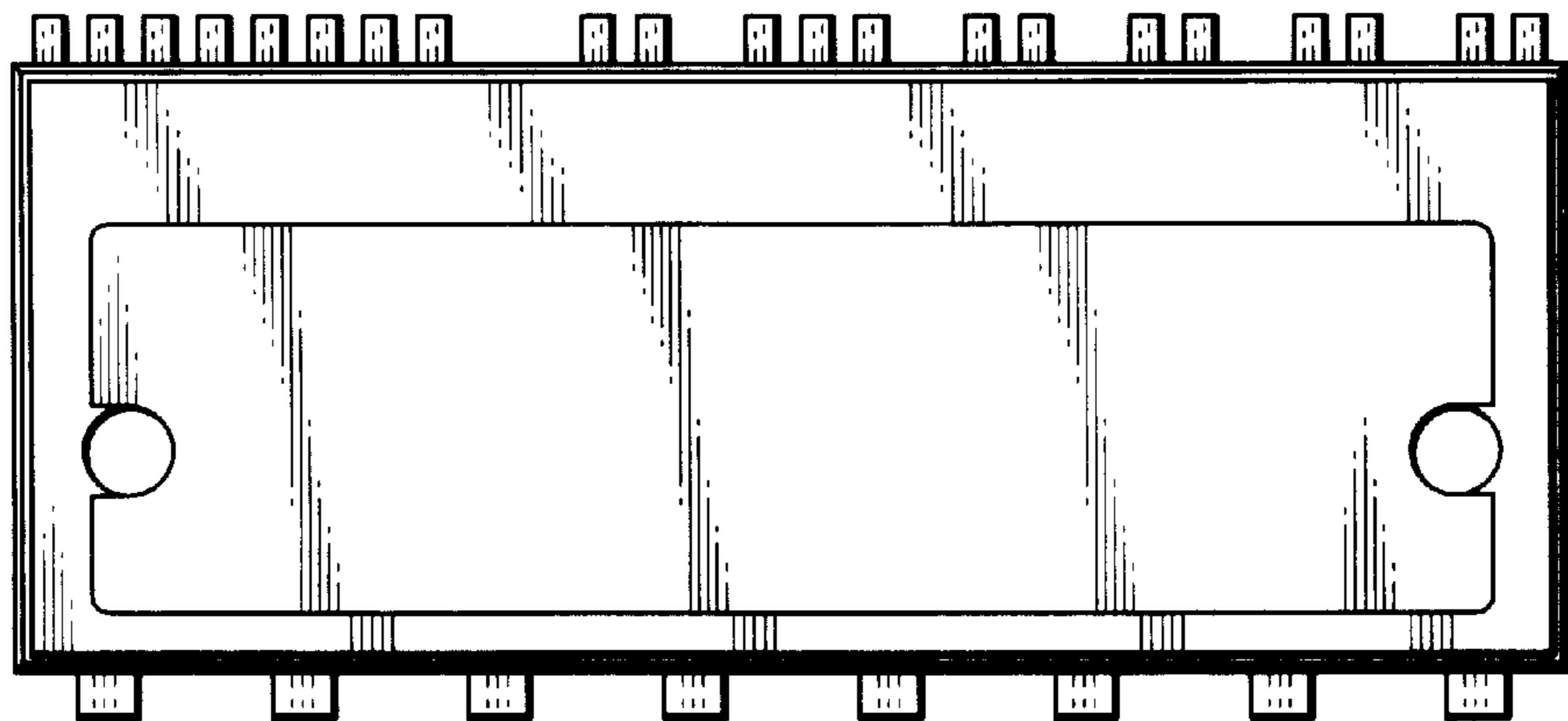


FIG.4

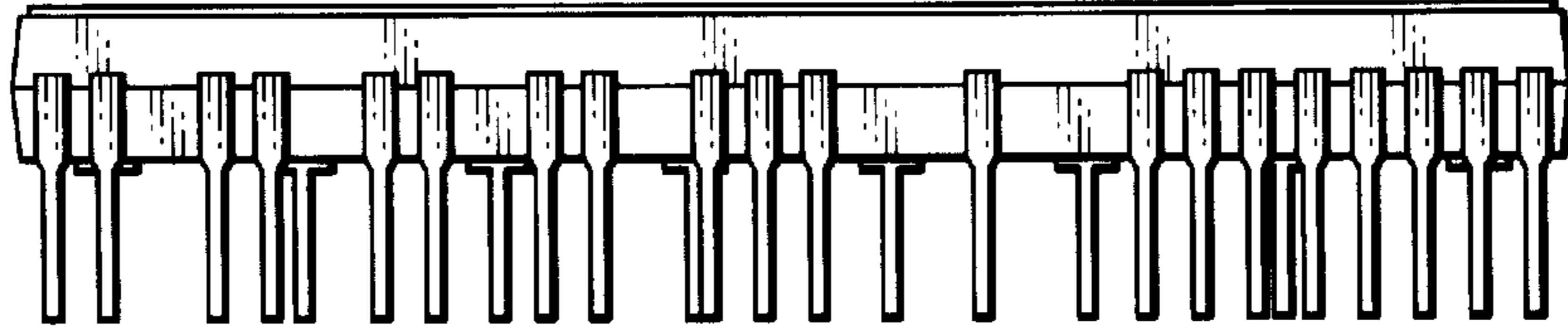


FIG.5

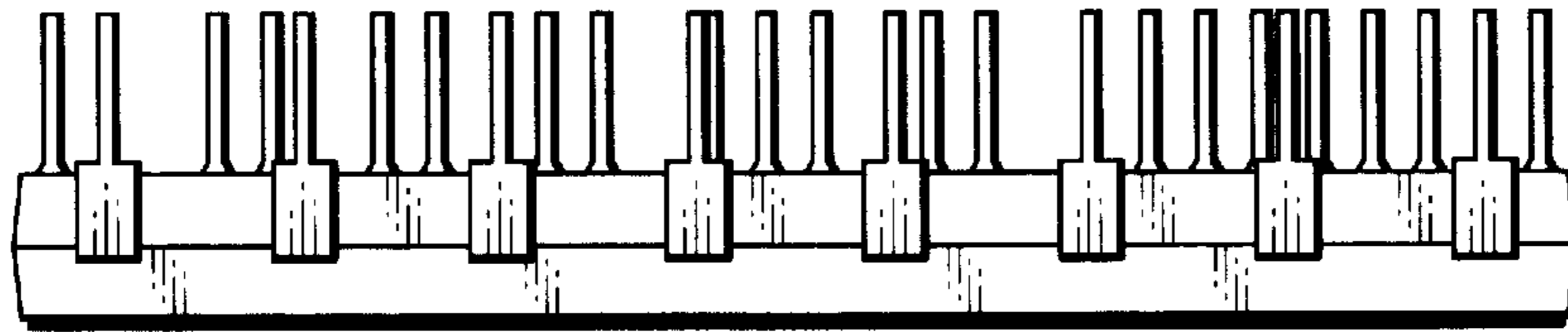


FIG.6

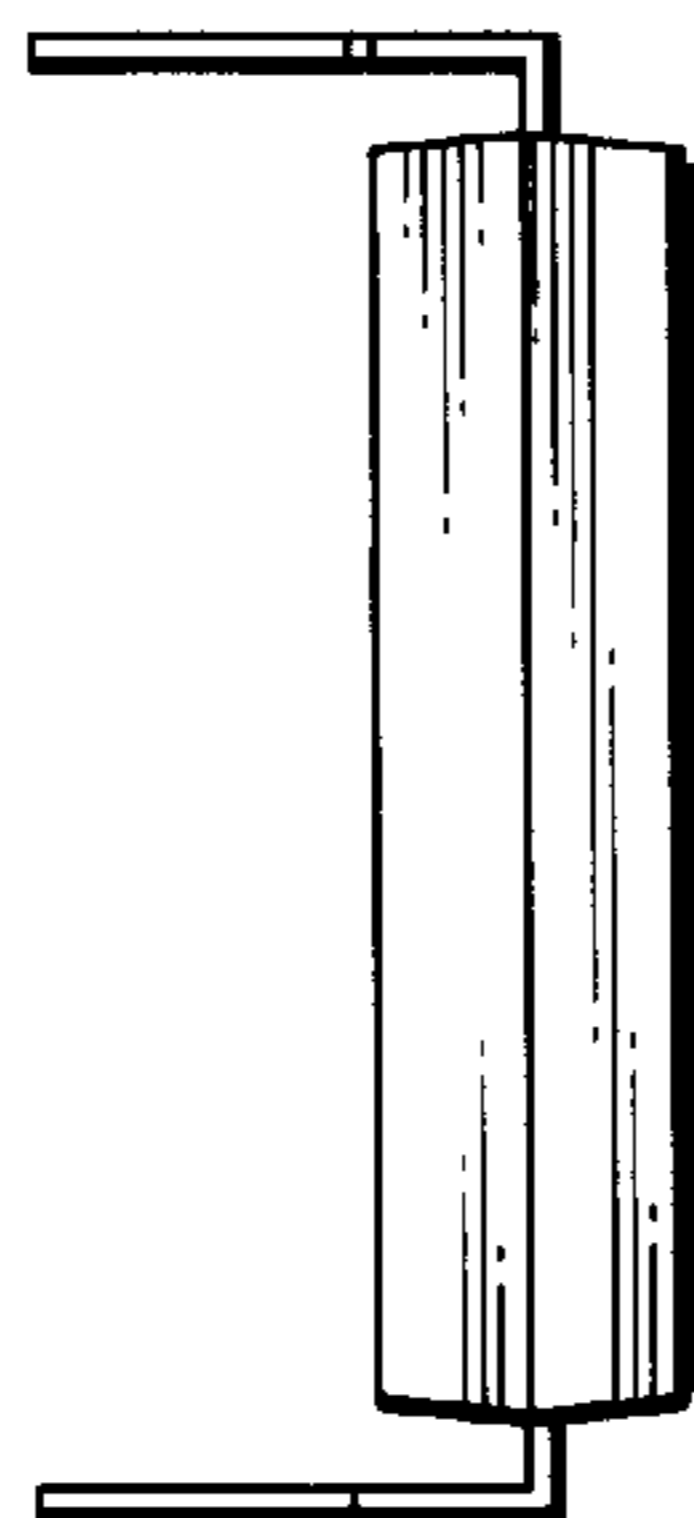


FIG. 7

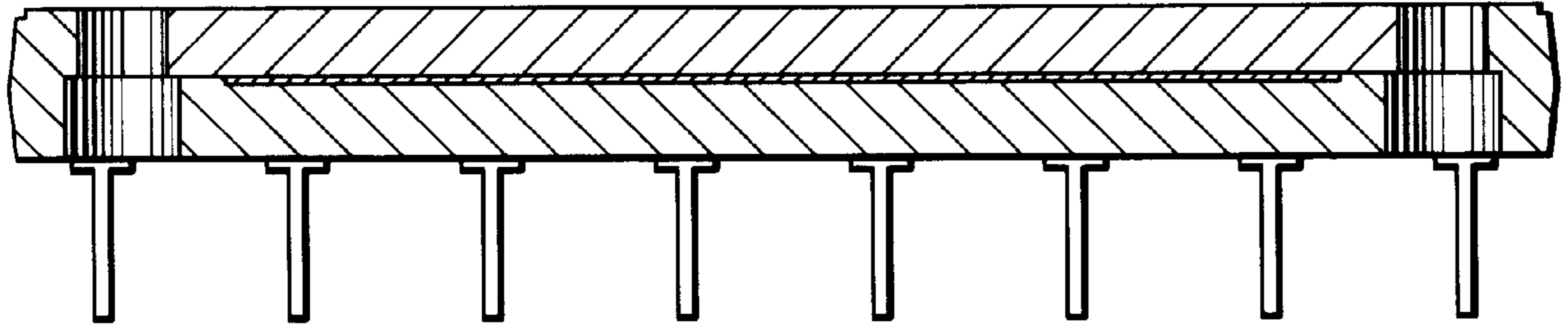


FIG. 8

