



US00D448737B1

(12) **United States Design Patent**
Nakamura

(10) **Patent No.:** **US D448,737 S**

(45) **Date of Patent:** **** Oct. 2, 2001**

(54) **SUPPORTING AND PROTECTING DUCT FOR WIRING DISTRIBUTION**

(75) Inventor: **Toshinobu Nakamura, Tokyo (JP)**

(73) Assignee: **Shinagawa Shoko Co., Ltd., Tokyo (JP)**

(**) Term: **14 Years**

(21) Appl. No.: **29/125,542**

(22) Filed: **Jun. 23, 2000**

(51) **LOC (7) Cl.** **13-03**

(52) **U.S. Cl.** **D13/155**

(58) **Field of Search** D13/154, 155,
D13/157; 174/68.1, 68.3, 70 C, 72 A, 97,
255, 101; 385/134, 135; 248/226.12

(56) **References Cited**

U.S. PATENT DOCUMENTS

D. 282,538	*	2/1986	Loof et al.	D13/155
D. 293,098	*	12/1987	Layton	D13/155
D. 380,736	*	7/1997	Theis et al.	D13/155
6,044,194	*	3/2000	Meyerhoefer	385/134
6,107,576	*	8/2000	Morton et al.	174/101
6,140,584	*	10/2000	Baldissara	174/68.3

* cited by examiner

Primary Examiner—Jennifer Rivard
(74) *Attorney, Agent, or Firm*—Frishauf, Holtz, Goodman, Langer & Chick, P.C.

(57) **CLAIM**

The ornamental design for a supporting and protecting duct for wiring distribution, as shown and described.

DESCRIPTION

FIG. 1 is a perspective view of a supporting and protecting duct for wiring distribution in an open configuration showing my new design;

FIG. 2 is a perspective view of a supporting and protecting duct for wiring distribution in a closed configuration;

FIG. 3 is a top plan view thereof;

FIG. 4 is a front elevational view thereof;

FIG. 5 is a bottom plan view thereof;

FIG. 6 is a cross-sectional view taken along lines 6—6 of FIG. 3;

FIG. 7 is a right side elevational view thereof;

FIG. 8 is a left side elevational view thereof;

FIG. 9 is an end view showing a top portion thereof in an open configuration; and,

FIG. 10 is an end view showing the top portion in a closed configuration.

1 Claim, 4 Drawing Sheets

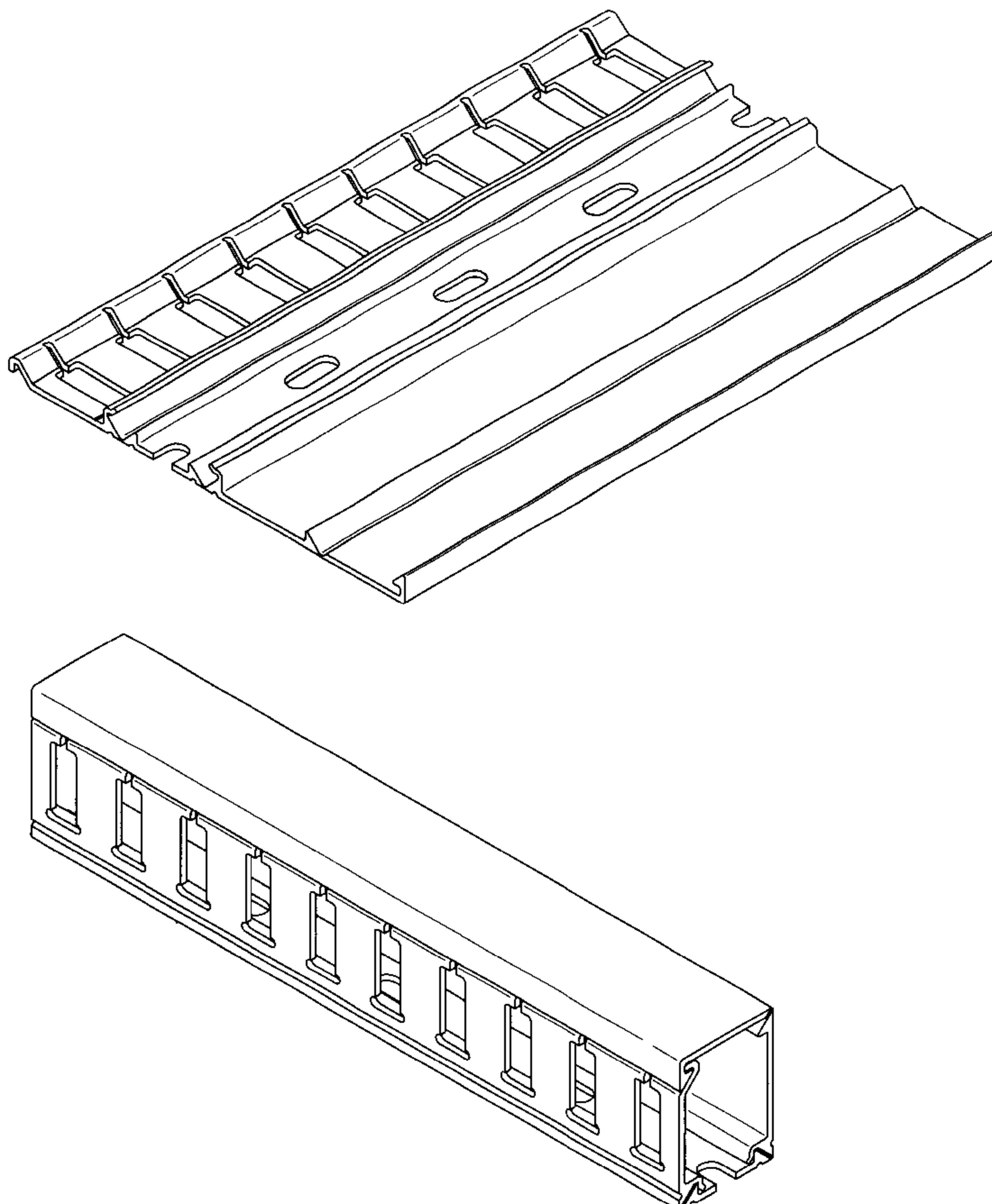


FIG. 1

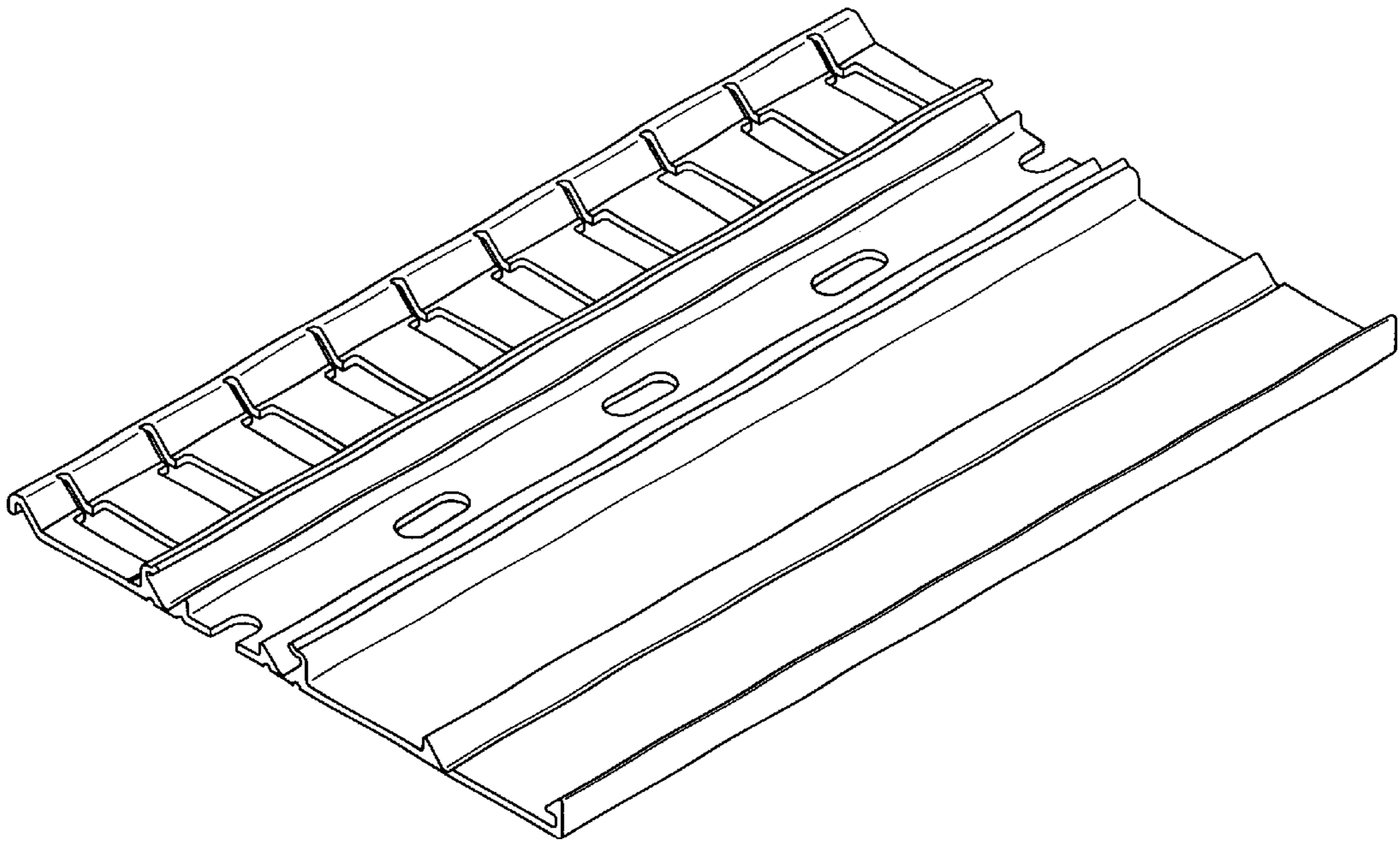


FIG. 2

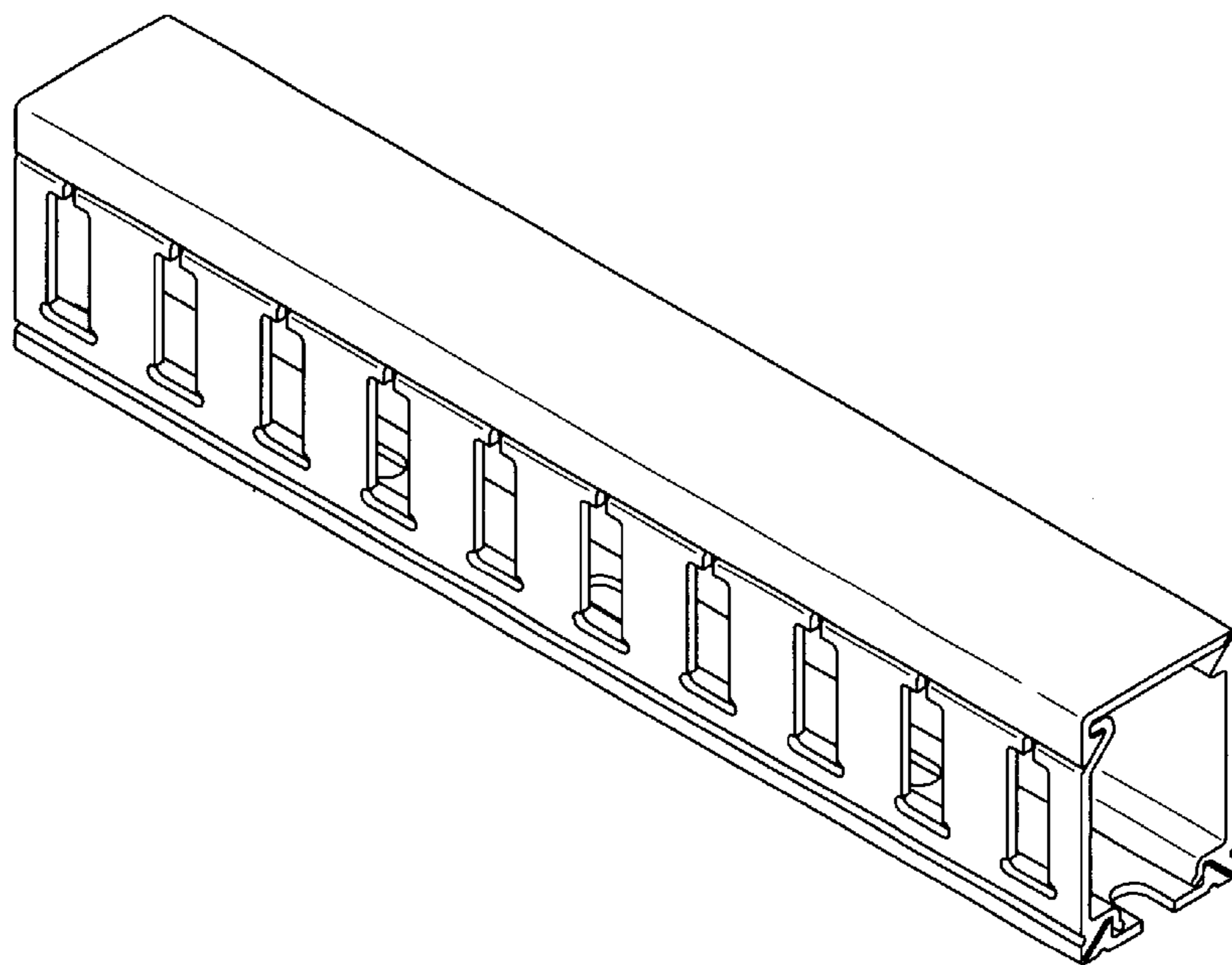


FIG. 3

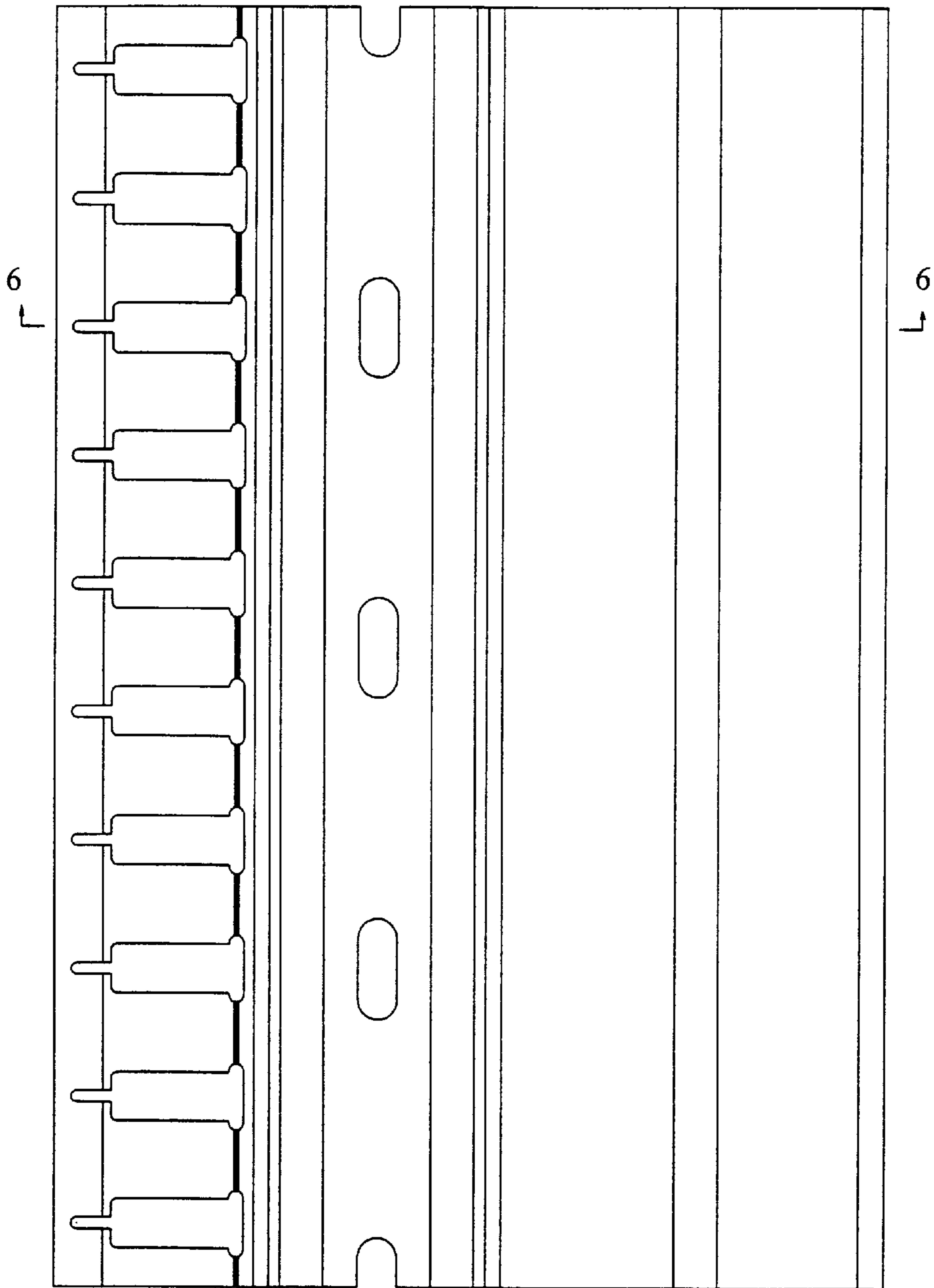


FIG. 4



FIG. 5

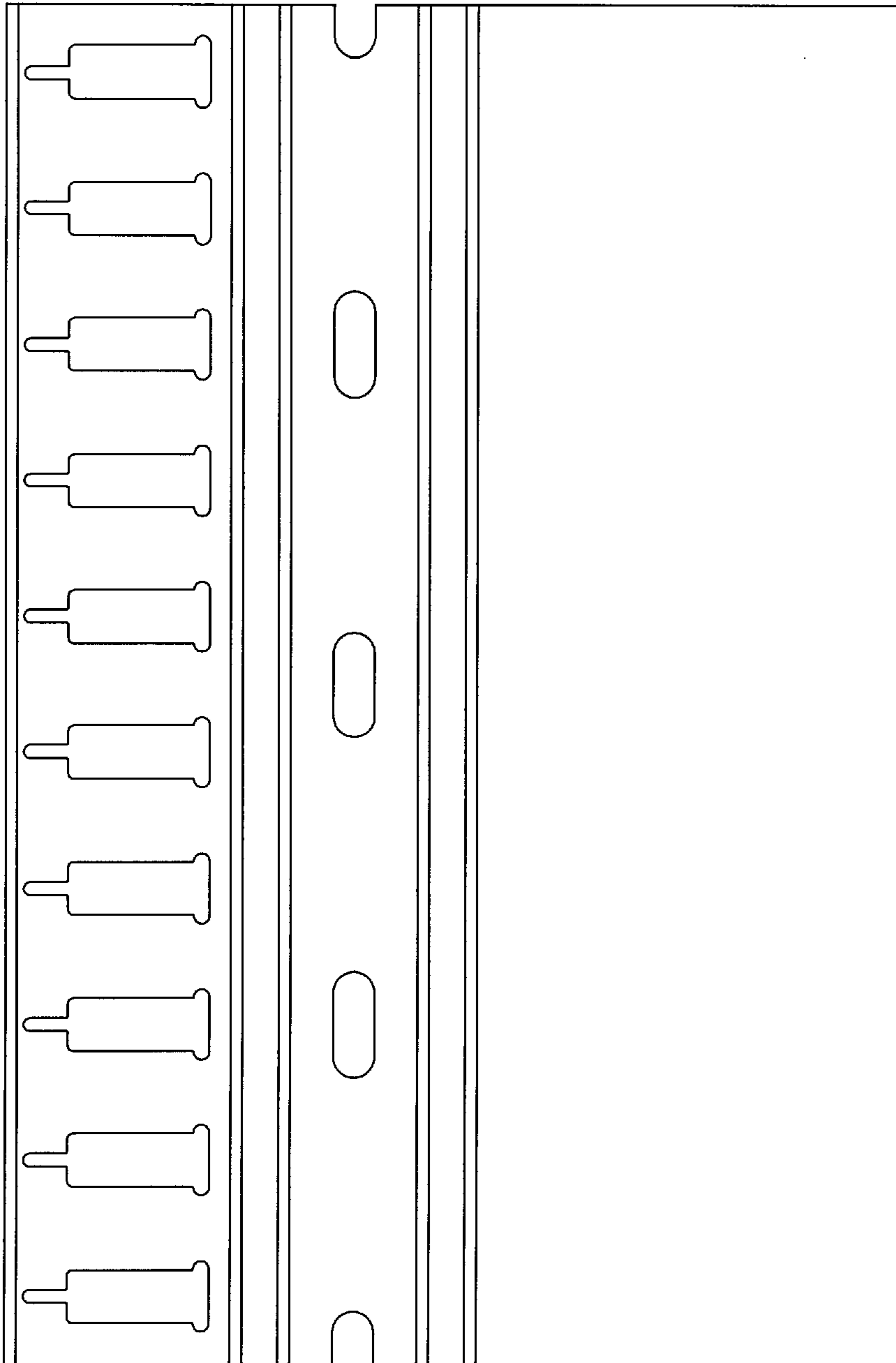


FIG. 6



FIG. 7



FIG. 8

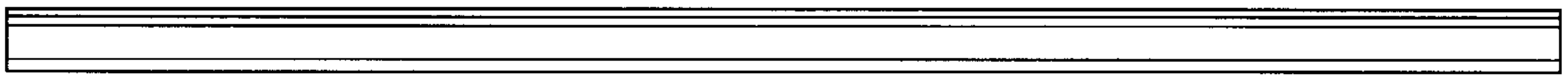


FIG. 9

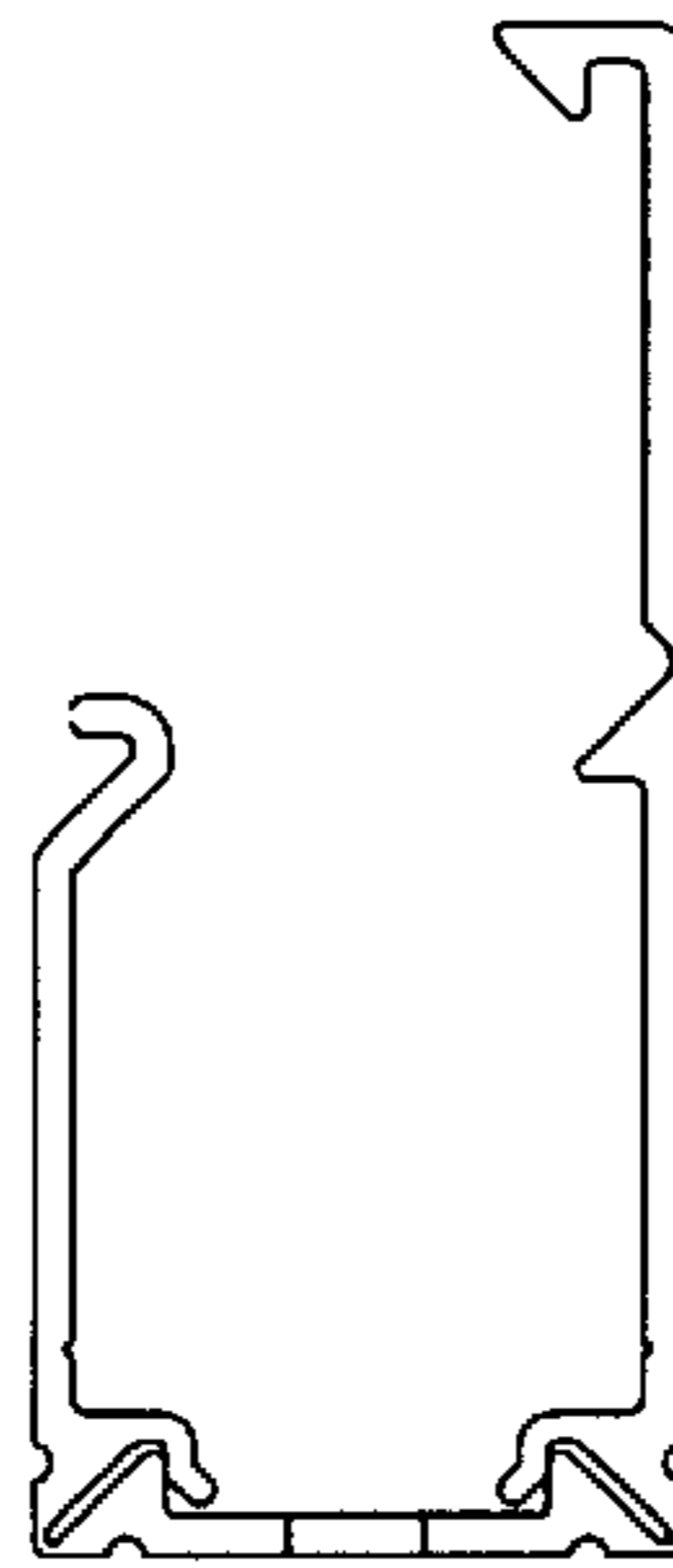


FIG. 10

