



US00D448735B1

(12) **United States Design Patent**  
**Clark**

(10) **Patent No.:** **US D448,735 S**

(45) **Date of Patent:** **\*\* Oct. 2, 2001**

(54) **ADAPTER FOR OPTICAL FIBER HOLDER**

6,078,719 \* 6/2000 Wiegand et al. .... 385/137  
6,224,270 \* 5/2001 Nakajima et al. .... 385/78

(75) Inventor: **Brett G. Clark**, Whites Creek, TN  
(US)

\* cited by examiner

(73) Assignee: **Amherst Holding Co.**, Wilmington, DE  
(US)

*Primary Examiner*—Jennifer Rivard

(74) *Attorney, Agent, or Firm*—Banner & Witcoff, Ltd.

(\*\*) Term: **14 Years**

(57) **CLAIM**

The ornamental design for an adapter for optical fiber holder,  
as shown and described.

(21) Appl. No.: **29/120,441**

(22) Filed: **Mar. 17, 2000**

**DESCRIPTION**

(51) **LOC (7) Cl.** ..... **13-03**

(52) **U.S. Cl.** ..... **D13/154**

(58) **Field of Search** ..... D13/154, 156;  
385/53, 66, 76, 92, 134, 135, 78, 137; 439/105,  
527, 542, 574

FIG. 1 is a perspective view of an adapter for optical fiber holder showing my new design from the perspective of the top, front, and left side;

FIG. 2 is a left side elevational view thereof; the right side being a mirror image thereof;

FIG. 3 is a front elevational view thereof;

FIG. 4 is a rear elevational view thereof; and,

FIG. 5 is a top plan view thereof.

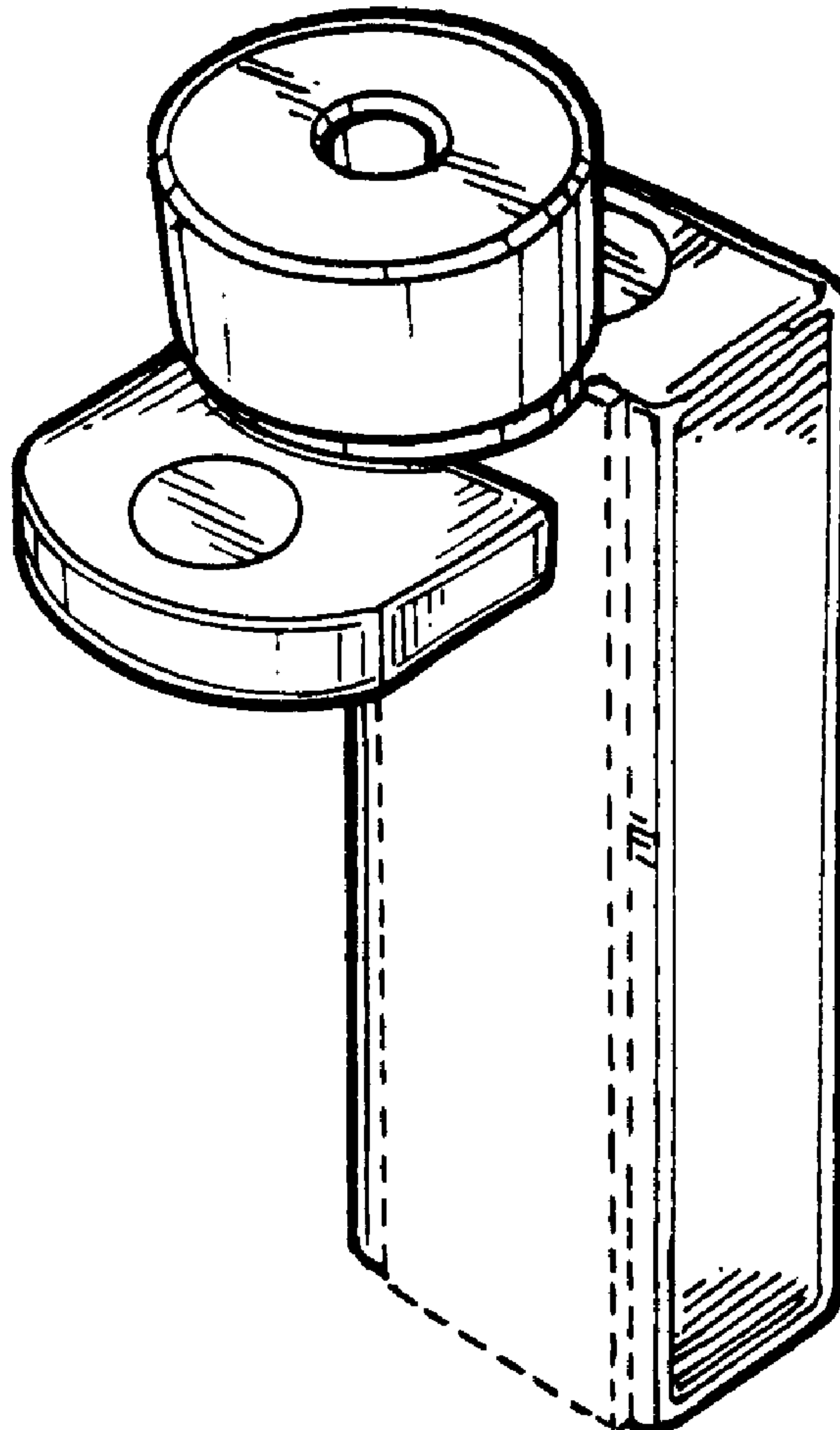
The broken line showing of the raised ledge is for illustrative purposes only and forms no part of the claimed design. The bottom of the adapter forms no part of the claimed design.

(56) **References Cited**

**U.S. PATENT DOCUMENTS**

D. 332,253 \* 1/1993 Bossard et al. .... D13/156  
5,937,121 \* 8/1999 Ott et al. .... 385/66 X  
6,024,498 \* 2/2000 Carlisle et al. .... 385/76

**1 Claim, 2 Drawing Sheets**



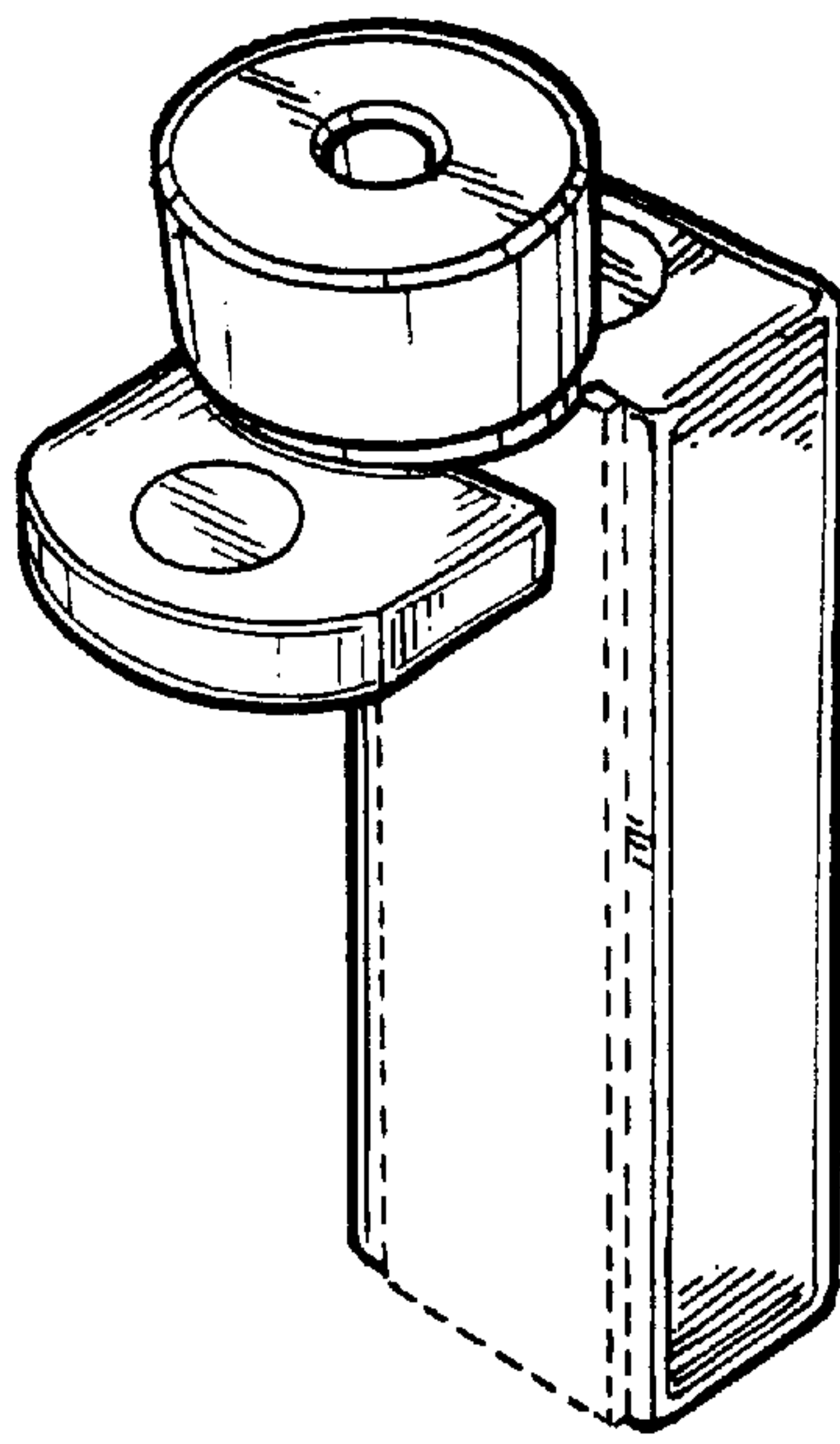


FIG. 1

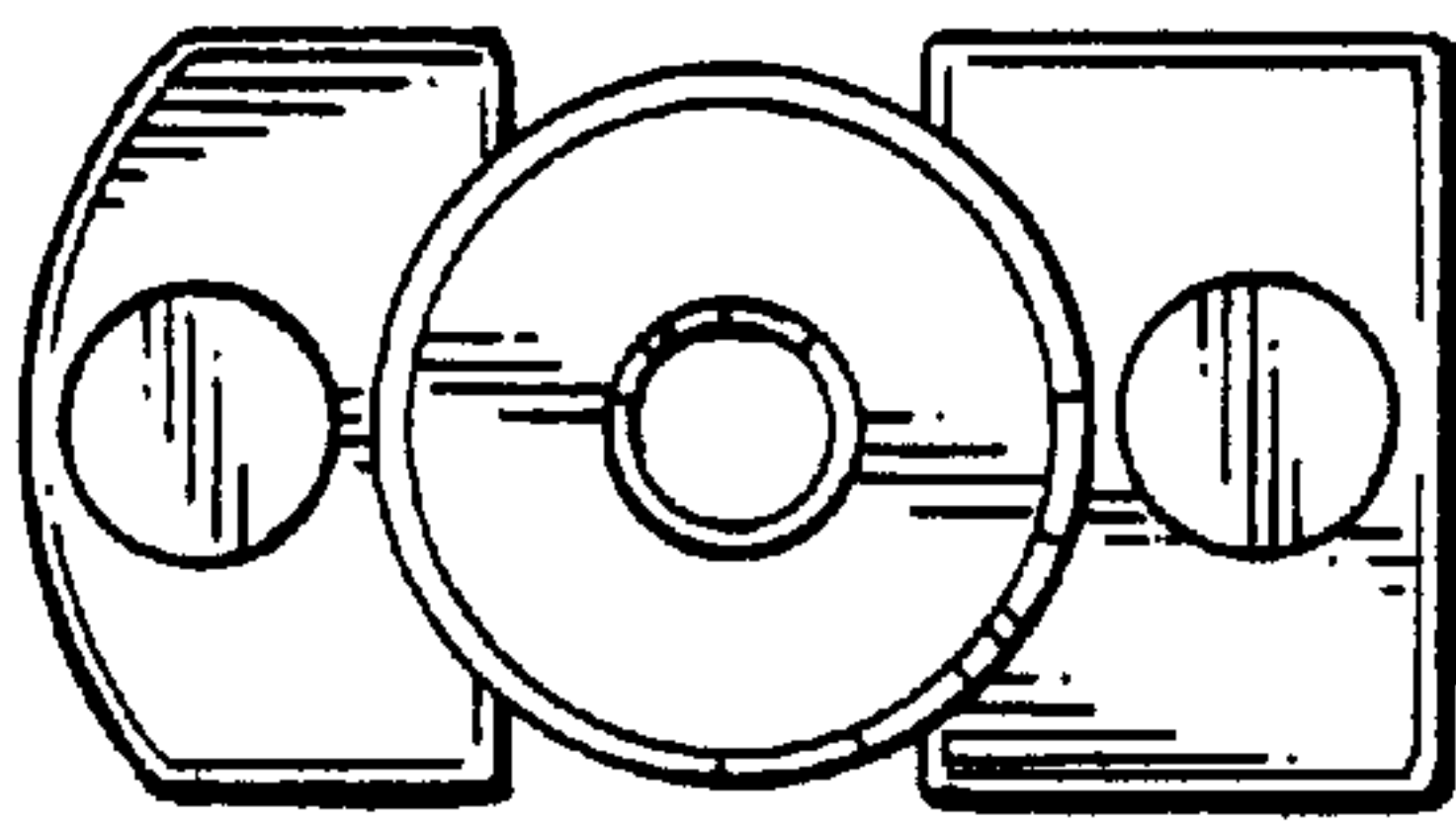


FIG. 3

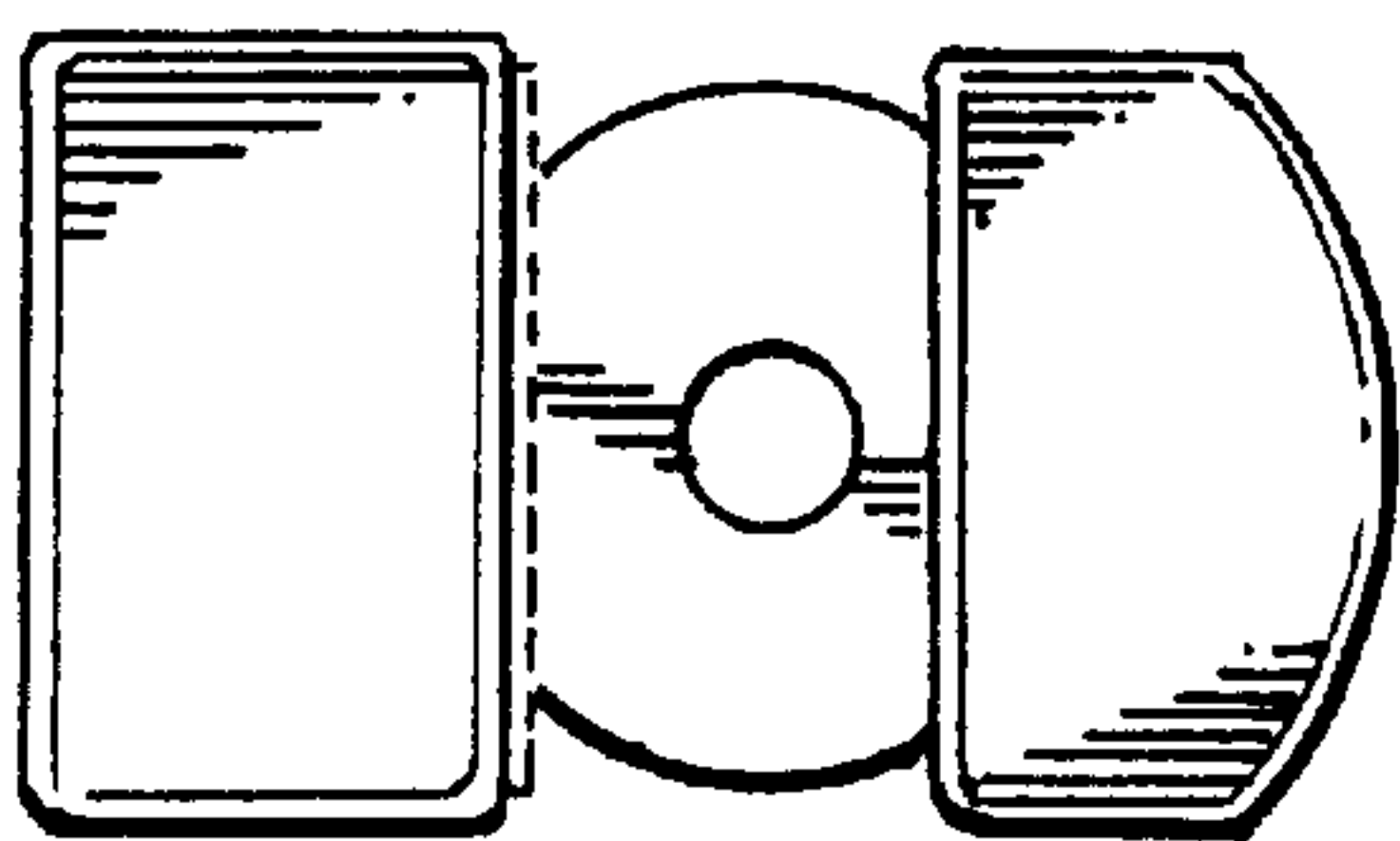


FIG. 4

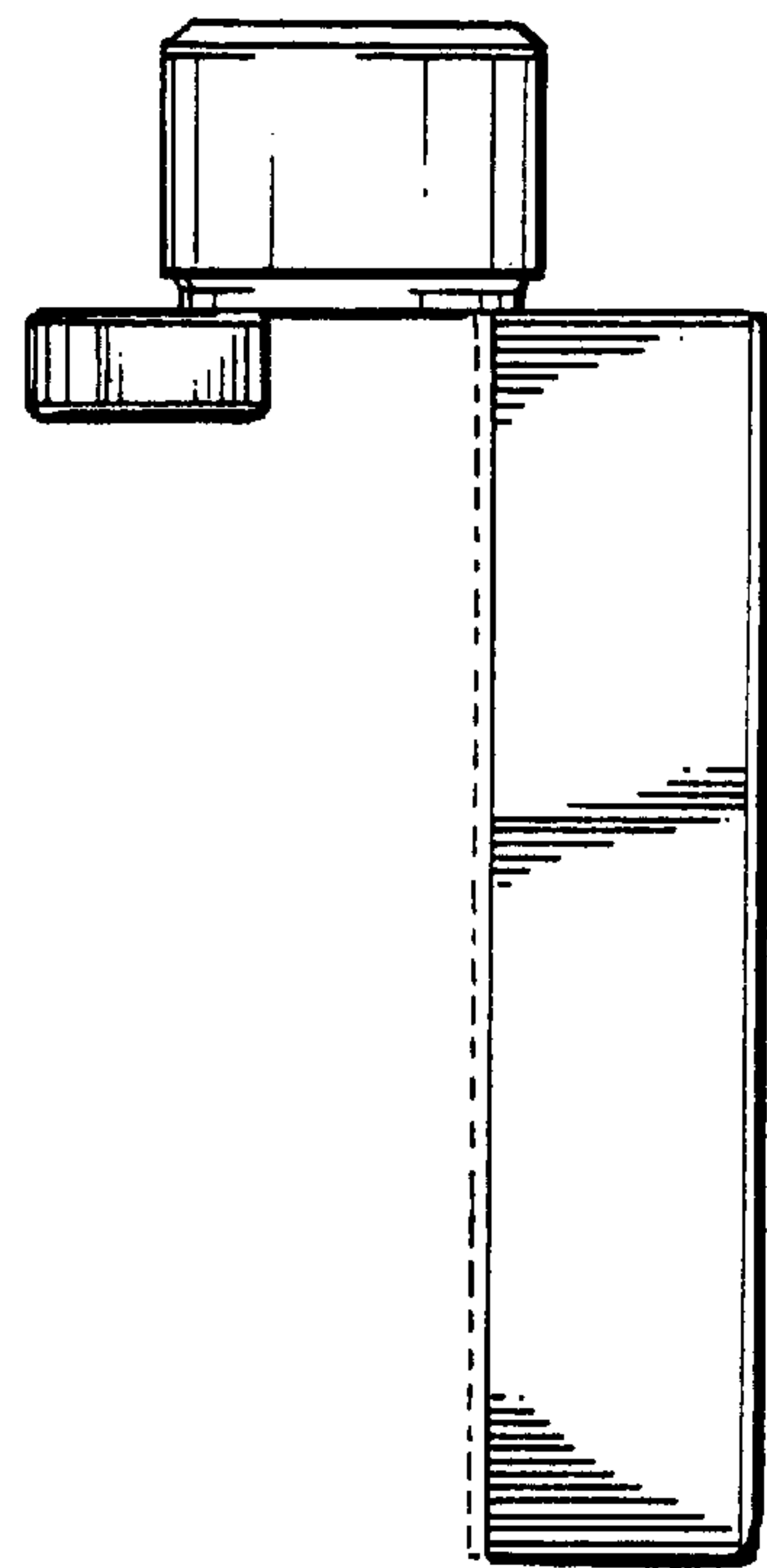


FIG. 2

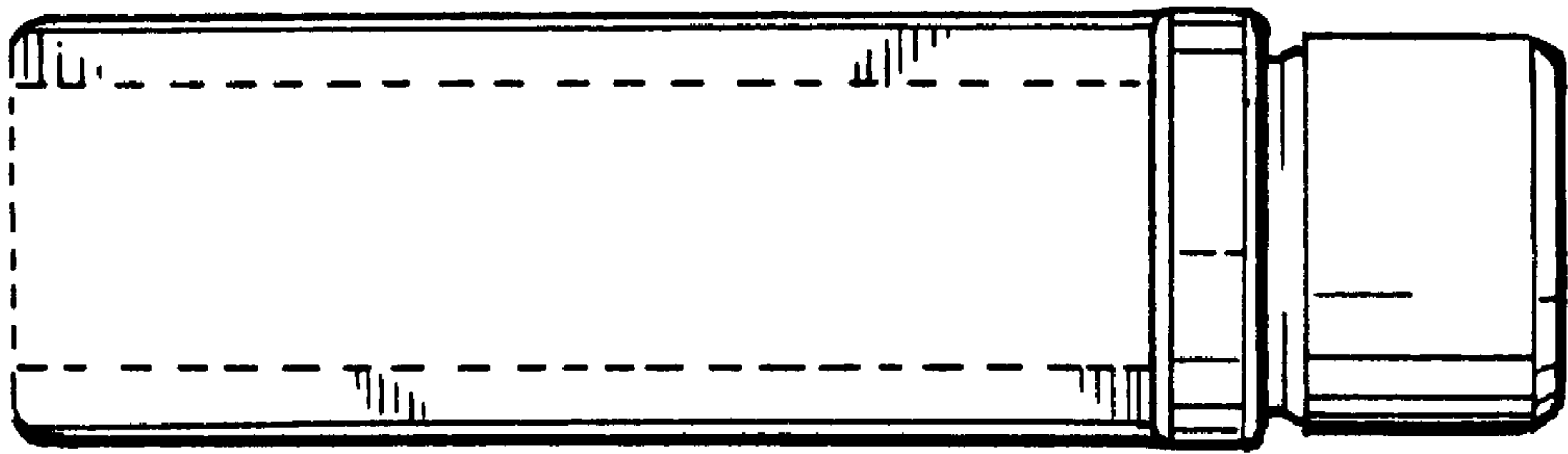


FIG. 5