



US00D448734B1

(12) **United States Design Patent**
Nakashima et al.

(10) **Patent No.:** **US D448,734 S**

(45) **Date of Patent:** **** Oct. 2, 2001**

(54) **ELECTRIC CONNECTOR WITH A CABLE**

5,639,262 * 6/1997 Lim 439/607

6,024,606 * 2/2000 Morikawa et al. 439/610

6,036,543 * 3/2000 Panis et al. 439/607

(75) Inventors: **Terumi Nakashima**, Takatsuki;
Takashi Suyama, Amagasaki;
Kiyohiko Chiran, Takarazuka, all of
(JP)

* cited by examiner

Primary Examiner—Joel Sincavage

(73) Assignee: **J.S.T. Mfg. Co., Ltd.**, Osaka (JP)

(74) *Attorney, Agent, or Firm*—Antonelli, Terry, Stout &
Kraus, LLP

(**) Term: **14 Years**

(57) **CLAIM**

(21) Appl. No.: **29/129,693**

The ornamental design for an electric connector with a cable, as shown and described.

(22) Filed: **Sep. 21, 2000**

DESCRIPTION

(30) **Foreign Application Priority Data**

Mar. 24, 2000 (JP) 12-007165

In the drawings, each figure thereof being of the connector in which the cable is shown broken away to indicate indeterminate length:

(51) **LOC (7) Cl.** **13-03**

FIG. 1 is a top plan view;

(52) **U.S. Cl.** **D13/153**

FIG. 2 is a front elevation;

(58) **Field of Search** D13/153, 133,

FIG. 3 is a bottom plan view;

D13/146, 147; 439/502, 582, 694, 844,

FIG. 4 is a rear elevation;

854, 855, 607-610, 569

FIG. 5 is a left side elevation;

(56) **References Cited**

FIG. 6 is a right side elevation; and,

U.S. PATENT DOCUMENTS

FIG. 7 is a scheme of the connector in use with a housing.

D. 314,943 * 2/1991 Tajima D13/147

In the drawings, each figure thereof being of the connector in which the cable is shown broken away to indicate indeterminate length.

D. 356,997 * 4/1995 Lehmann D13/146

The broken lines showing an additional connector member housing are included for the purpose of illustrating environmental structure only and form no part of the claimed design.

D. 360,400 * 7/1995 Pitcher D13/133

D. 378,209 * 2/1997 Morikawa et al. D13/147

D. 412,700 * 8/1999 Gardner et al. D13/147

D. 422,561 * 4/2000 Wu et al. D13/147

D. 427,150 * 6/2000 Kuo D13/147

D. 430,540 * 9/2000 Nishio et al. D13/147

1 Claim, 2 Drawing Sheets

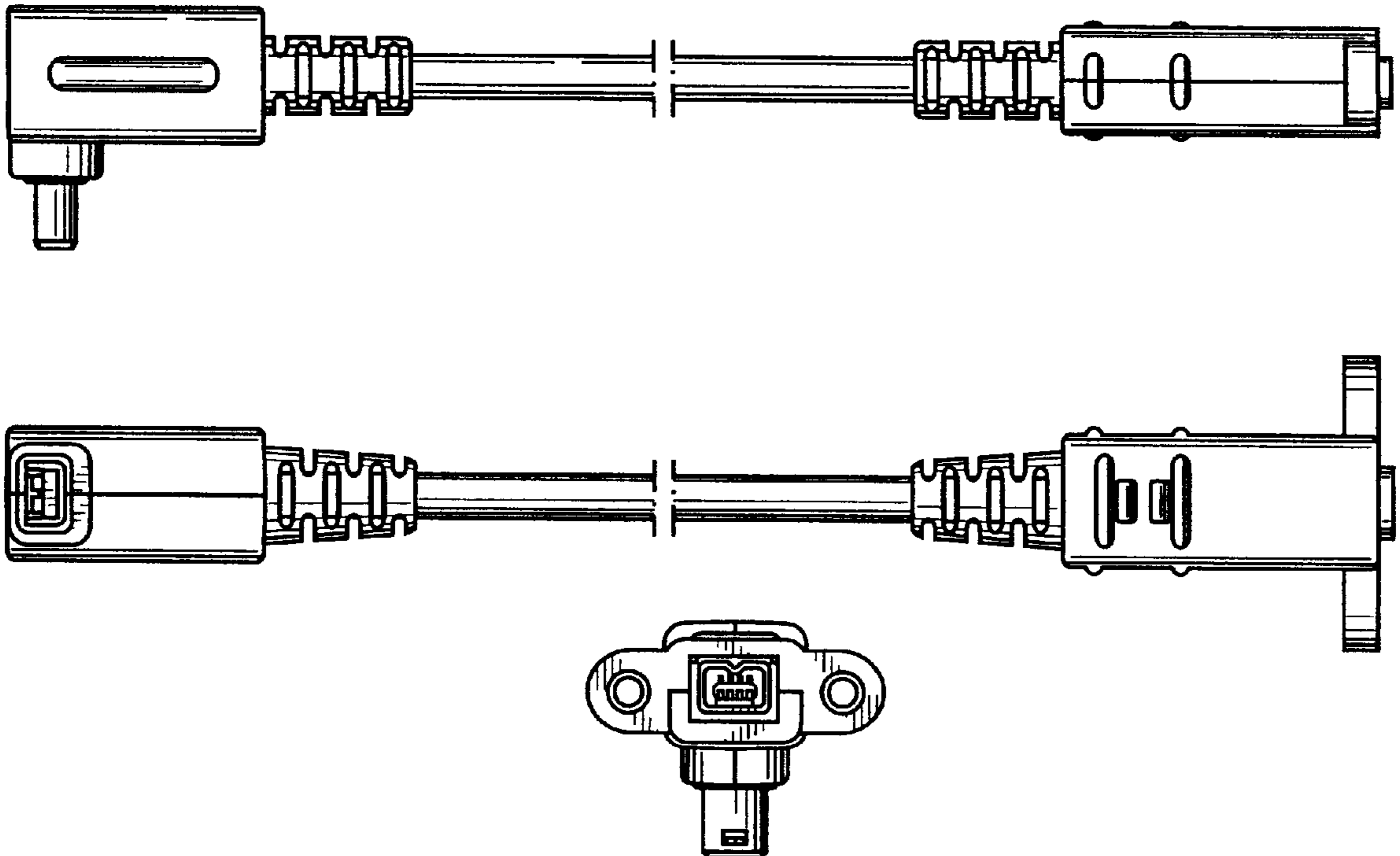


FIG. 1

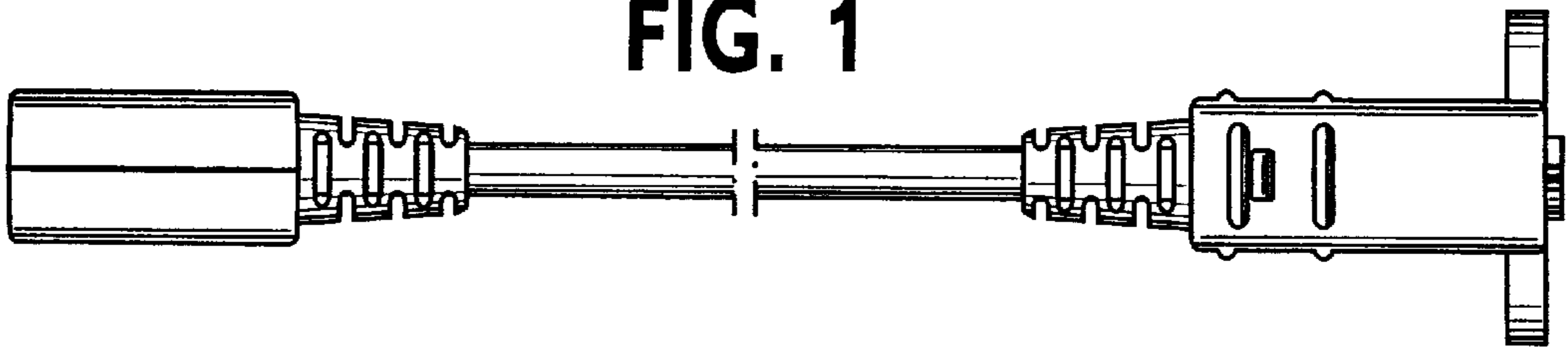


FIG. 2

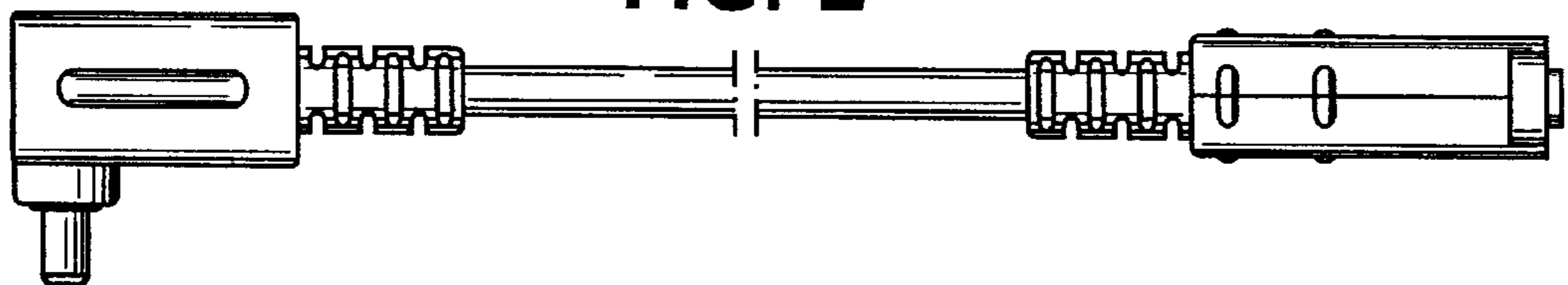


FIG. 3

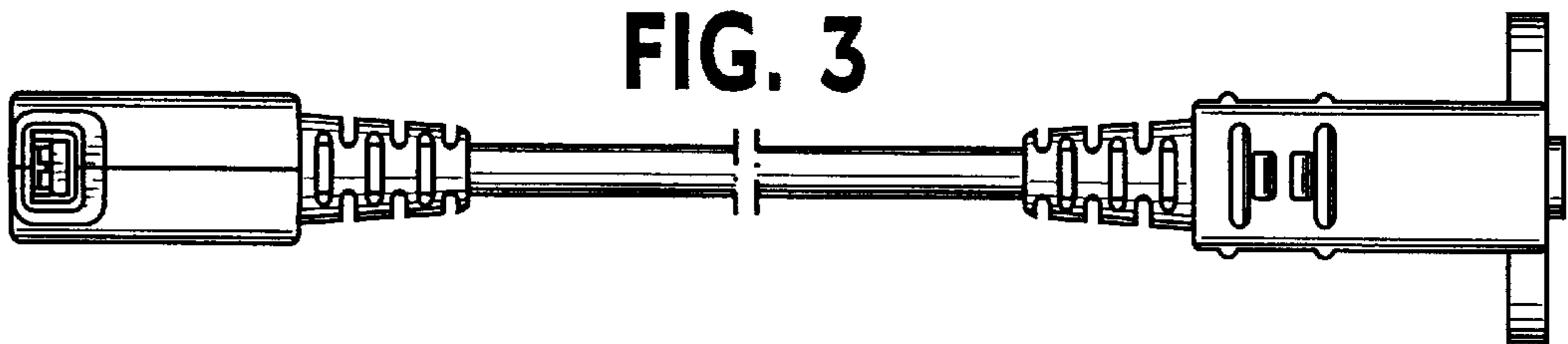


FIG. 4

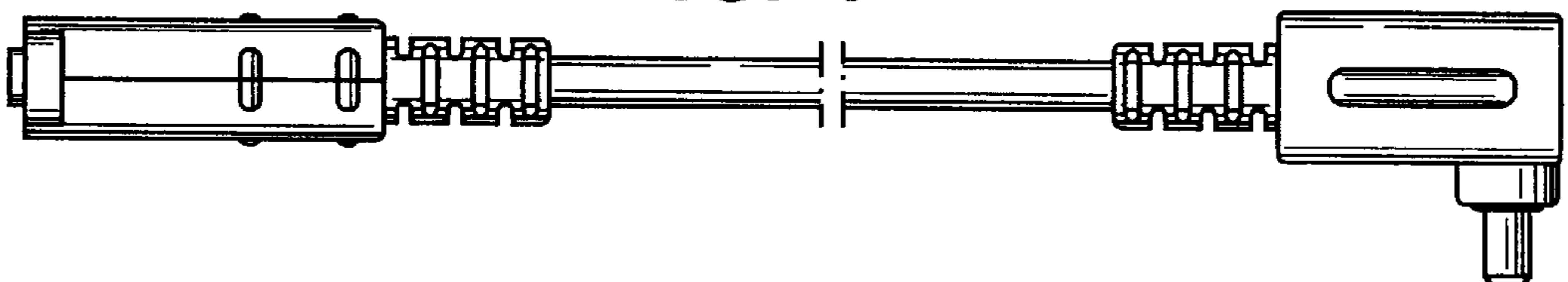


FIG. 5

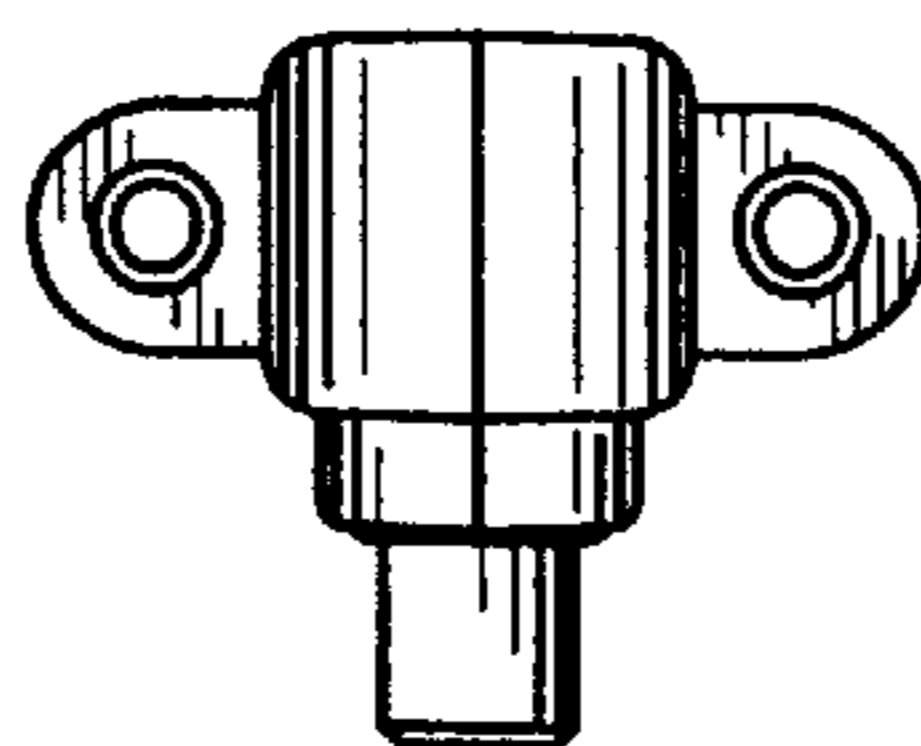


FIG. 6

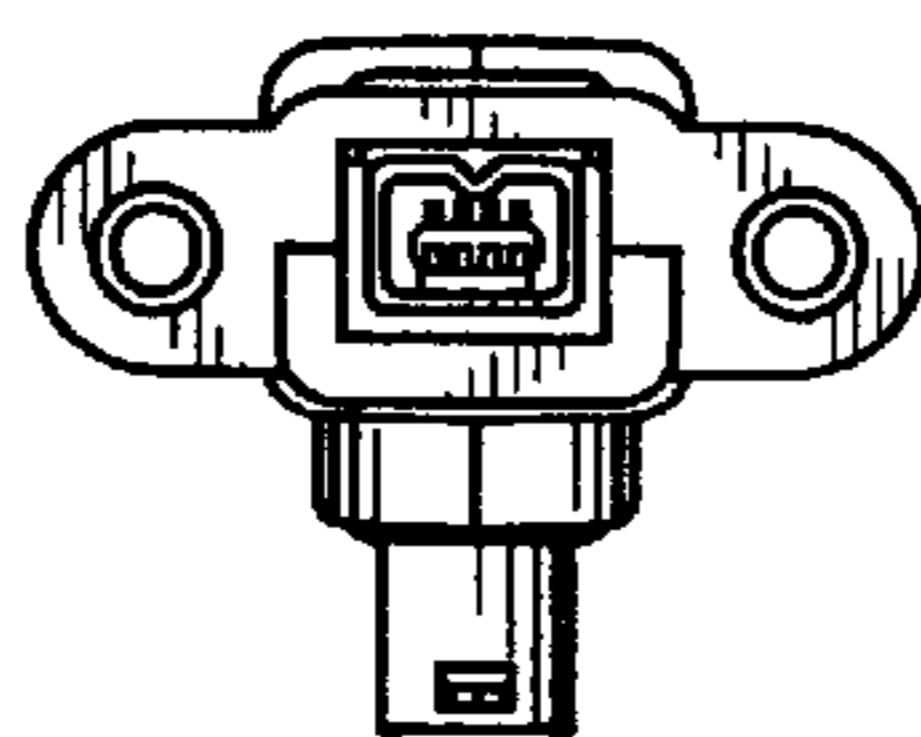


FIG. 7

