



US00D448733B1

(12) **United States Design Patent**
Smith

(10) **Patent No.:** **US D448,733 S**

(45) **Date of Patent:** **** Oct. 2, 2001**

(54) **ELECTRONICS HOUSING**

(75) **Inventor:** **Dwight David Smith**, Lynchburg, VA (US)

(73) **Assignee:** **Telefonaktiebolaget L.M. Ericsson**, Stockholm (SE)

(**) **Term:** **14 Years**

(21) **Appl. No.:** **29/130,762**

(22) **Filed:** **Oct. 9, 2000**

(51) **LOC (7) Cl.** **13-03**

(52) **U.S. Cl.** **D13/152**

(58) **Field of Search** D13/152, 154, D13/156, 177; D14/240; 361/641, 658; 220/3.2, 3.8, 241; 174/48, 49, 50, 52.1, 52.4, 148; 439/535, 367, 718

(56) **References Cited**

U.S. PATENT DOCUMENTS

D. 274,721	*	7/1984	Smith	D14/420
D. 376,329		12/1996	Youabian	D10/104
D. 384,332		9/1997	Downie, Jr.	D13/158
D. 388,061	*	12/1997	Tuby et al.	D13/152
D. 401,568		11/1998	Alden et al.	D14/100
D. 410,437		6/1999	Mowery	D13/177
D. 418,515		1/2000	Tucker et al.	D14/240
D. 437,313	*	2/2001	Chen et al.	D14/240
3,378,666		4/1968	Rys	200/168
5,369,548	*	11/1994	Combs	174/148 X
5,621,192	*	4/1997	Bordwell et al.	174/67
5,959,250	*	9/1999	Dauod	174/135 X
6,133,531	*	10/2000	Hayduke et al.	174/67

OTHER PUBLICATIONS

Design Patent Application entitled *Cover for Electronics Housing*, Ser. No. 29/130,761, filed Oct. 9, 2000.

* cited by examiner

Primary Examiner—Susan J. Lucas

Assistant Examiner—Jennifer Rivard

(74) *Attorney, Agent, or Firm*—Myers Bigel Sibley & Sajovec, P.A.

(57) **CLAIM**

The ornamental design for an electronics housing, as shown and described.

DESCRIPTION

FIG. 1 is a front perspective view of the electronics housing showing my design;

FIG. 2 is a front view thereof;

FIG. 3 is a side view thereof;

FIG. 4 is an opposing side view thereof;

FIG. 5 is a rear view thereof;

FIG. 6 is a bottom end view thereof

FIG. 7 is top end view thereof; and,

FIG. 8 is a front view illustrating the electronics housing in its intended environment mounted to the exterior of a building.

The darker portions of the electronics housing shown in FIGS. 5 and 6 indicate surfaces which have a different or contrasting texture from that of the remainder of the body of the electronics housing. In a preferred embodiment, these different or contrasting texture surfaces can be formed from a breathable fabric or mesh material. The broken lines shown herein are for illustrative purposes only and form no part of the claimed design.

1 Claim, 6 Drawing Sheets

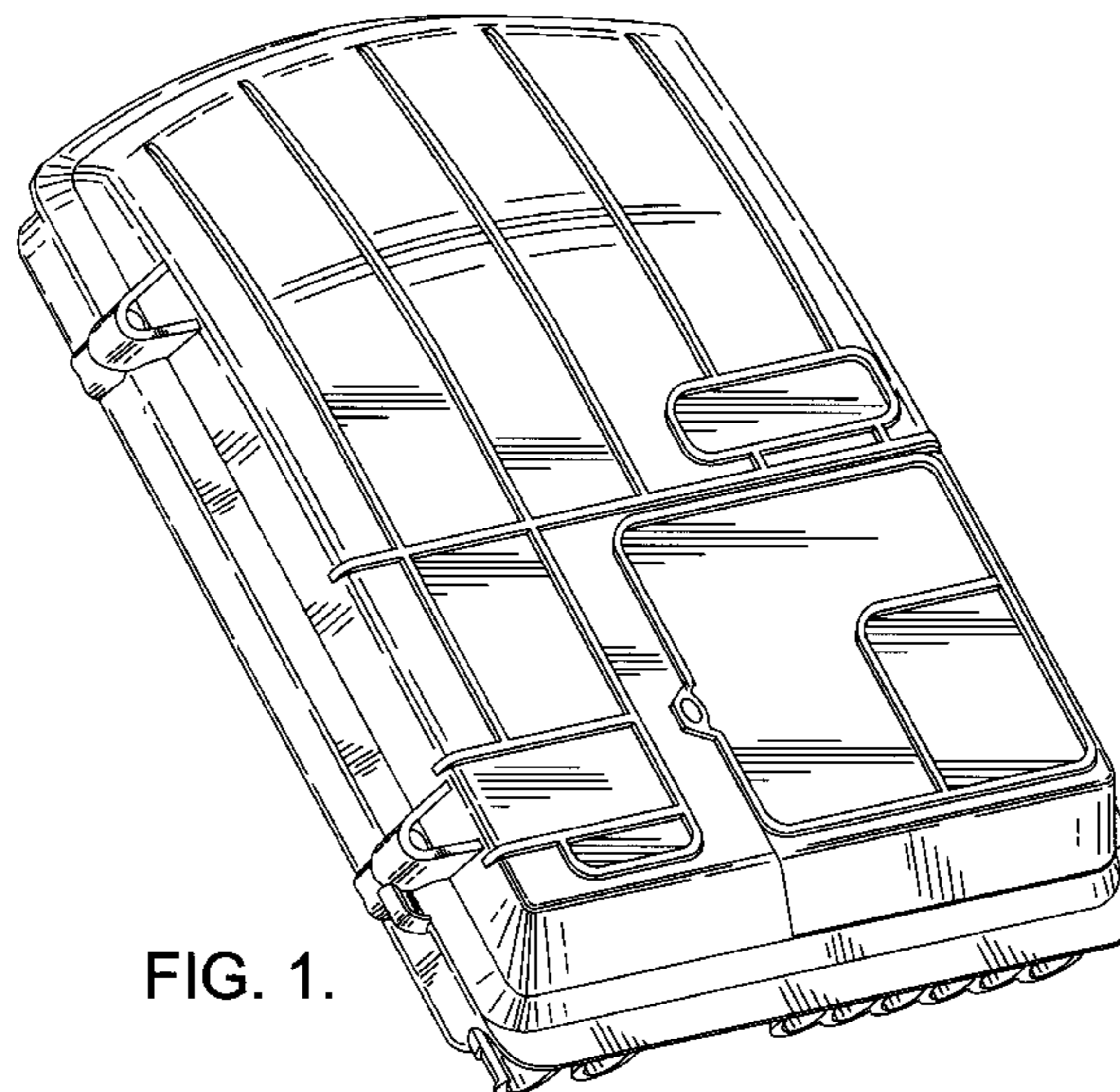


FIG. 1.

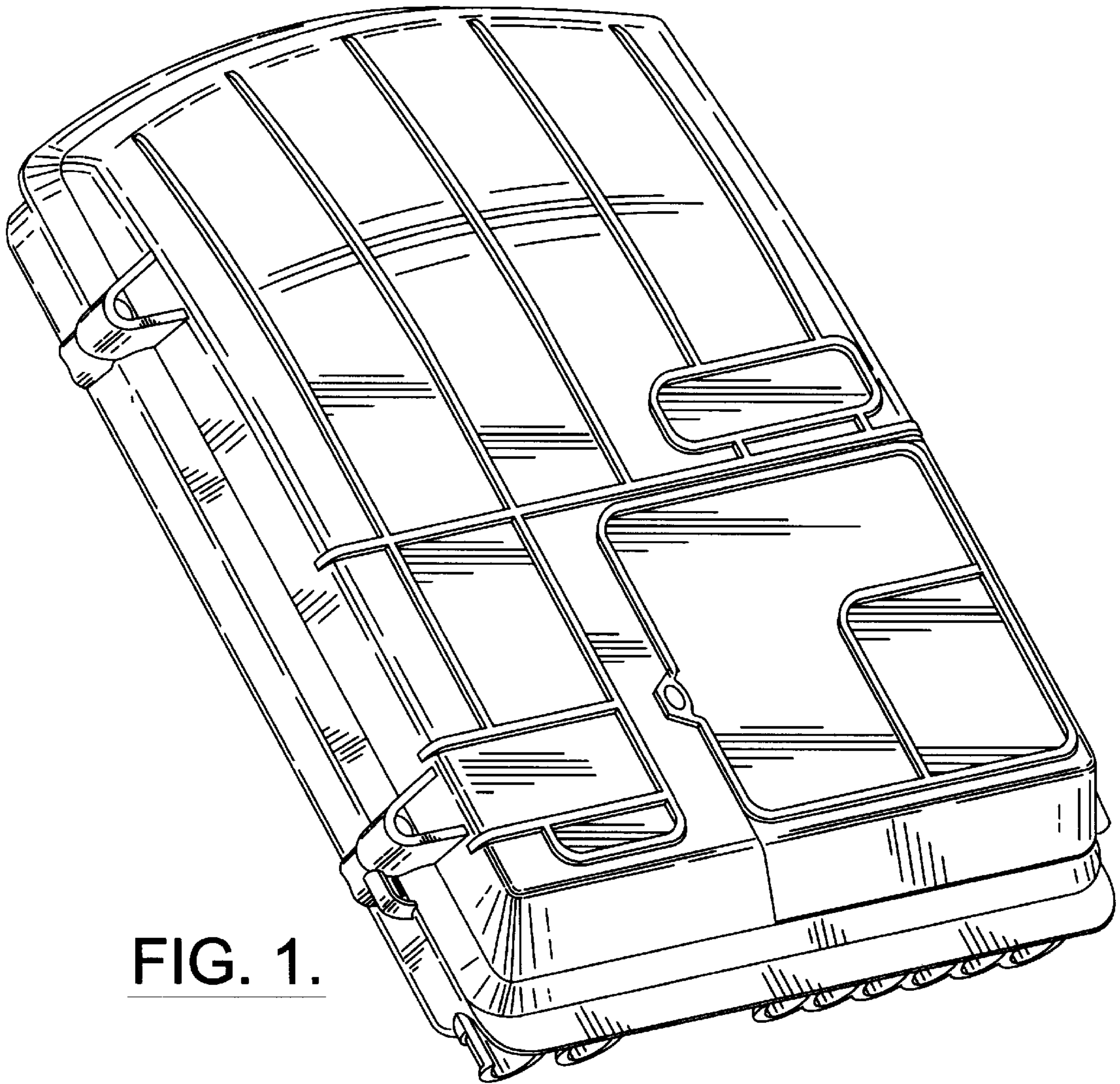


FIG. 1.

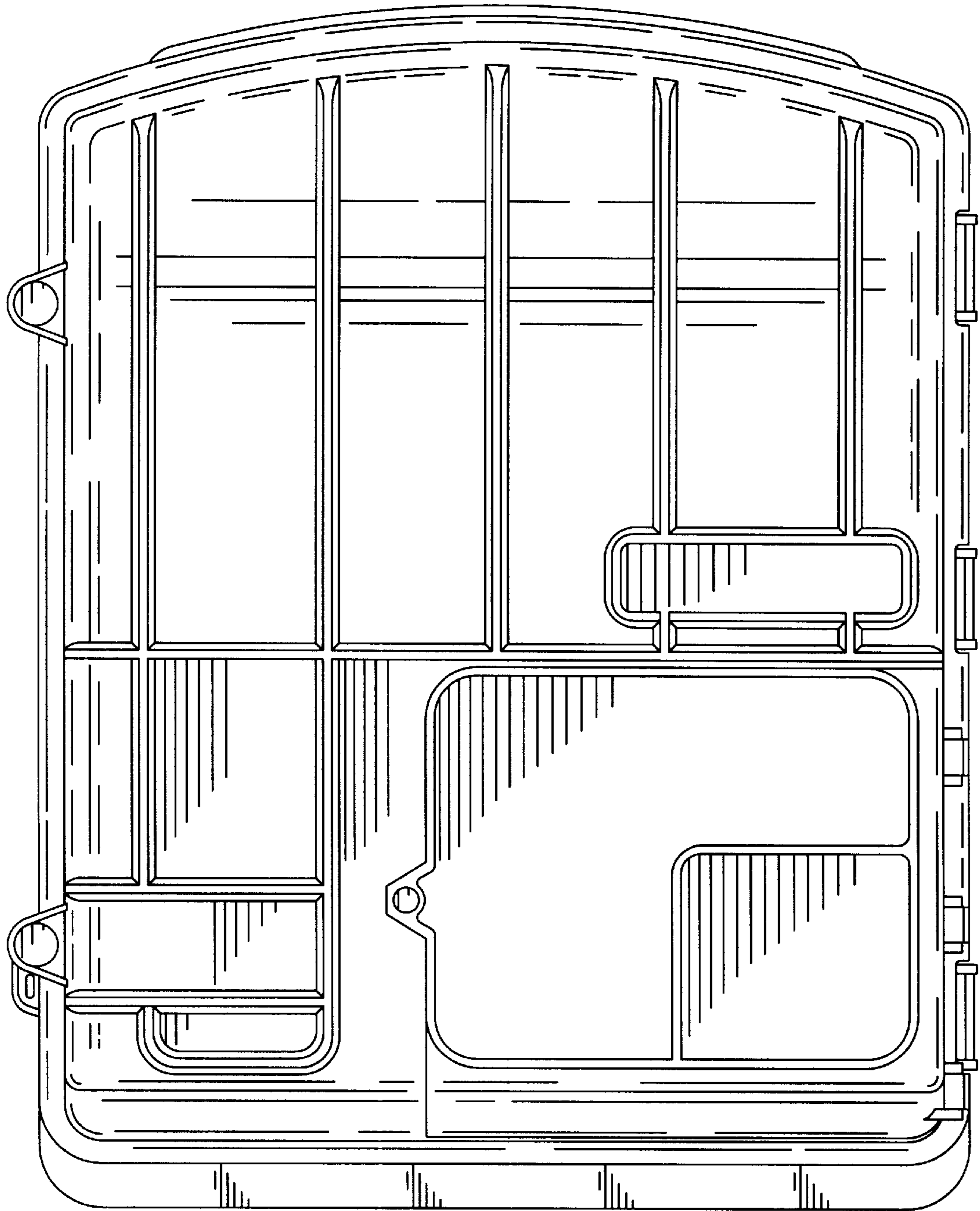


FIG. 2.

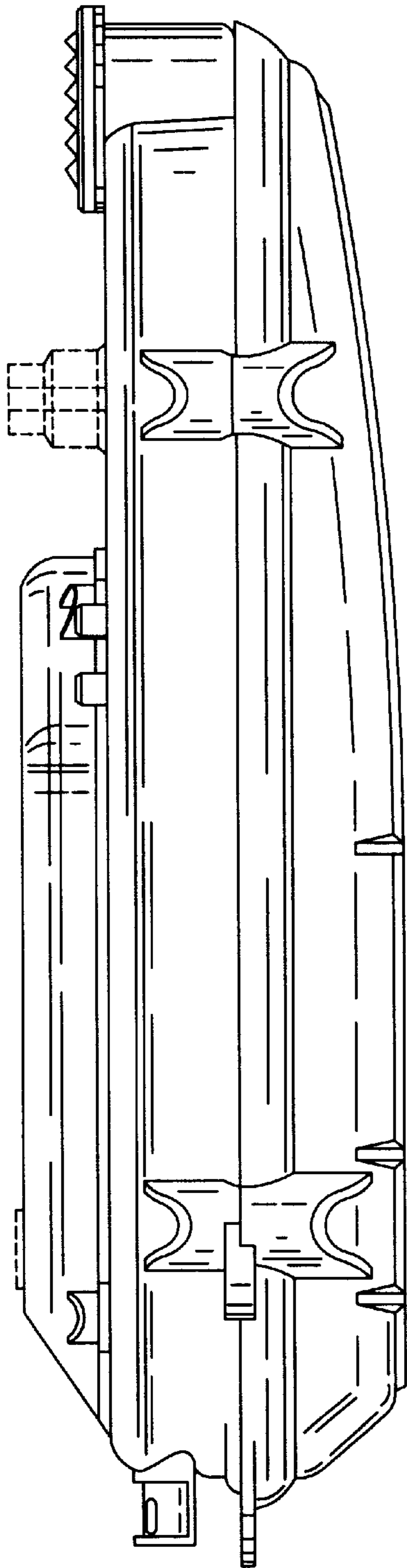


FIG. 3.

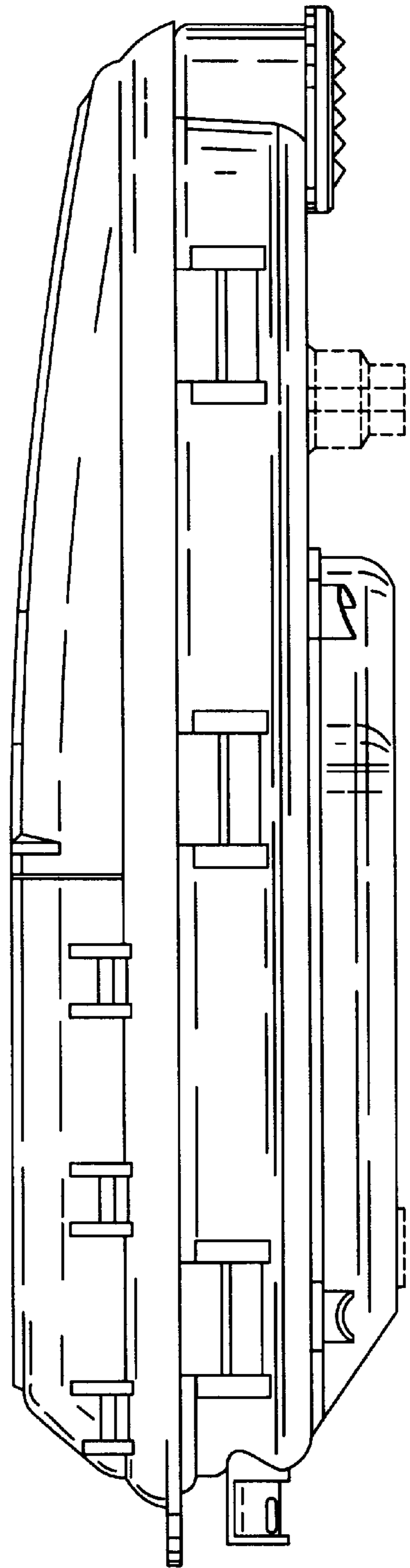


FIG. 4.

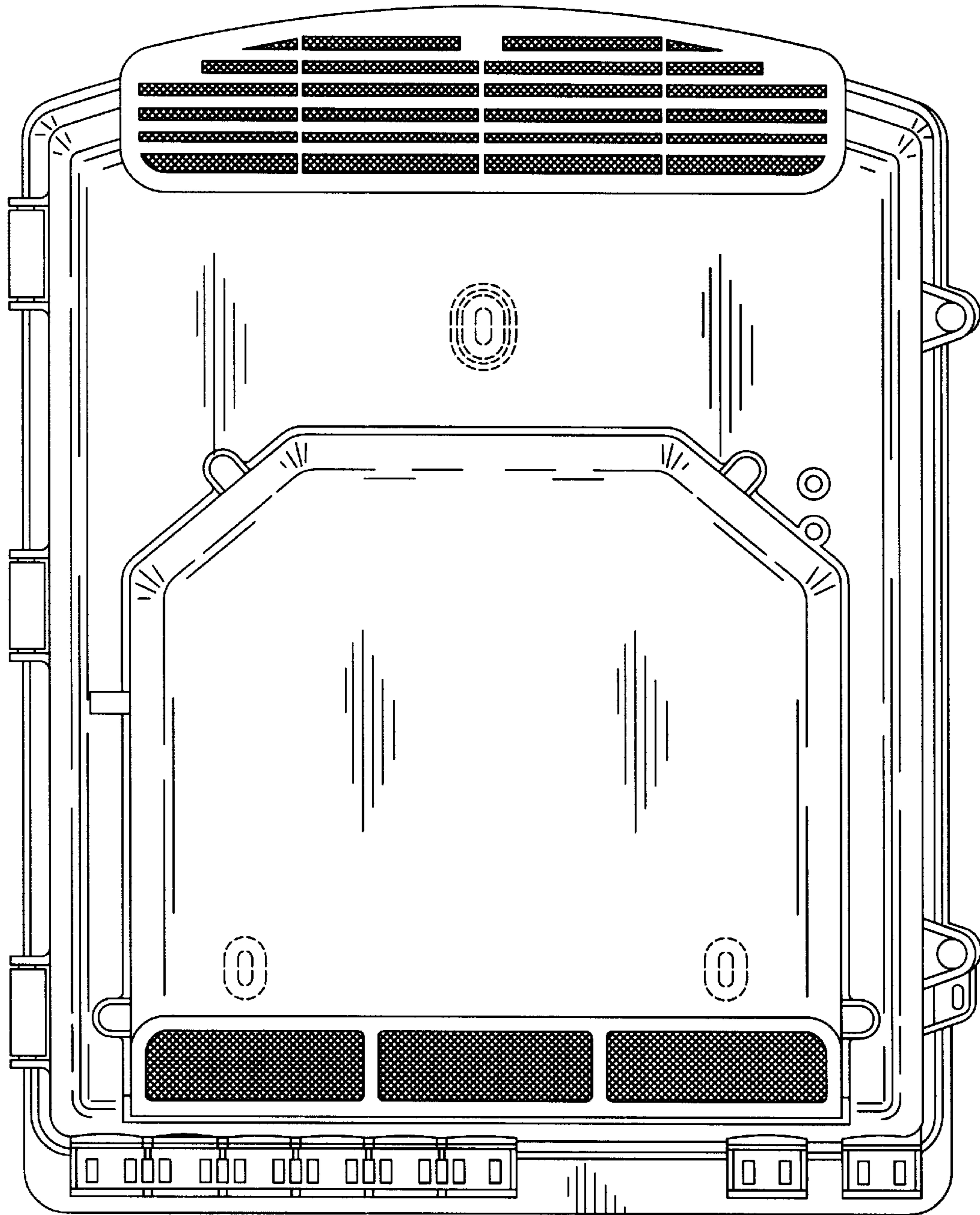


FIG. 5.

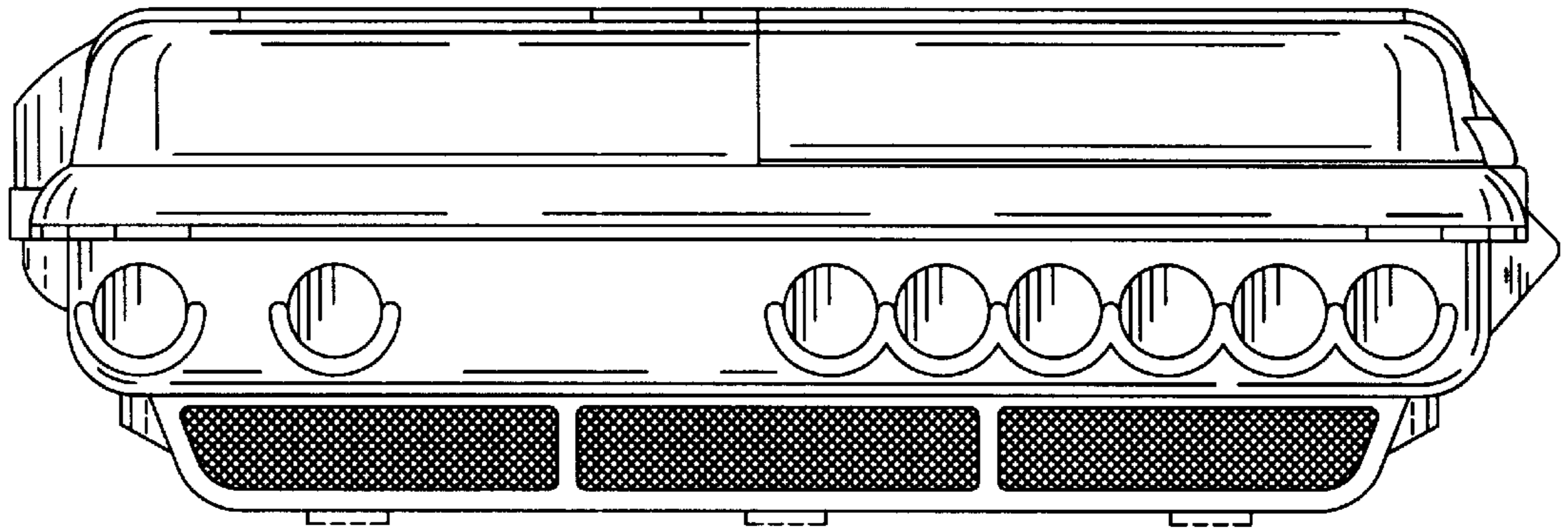


FIG. 6.

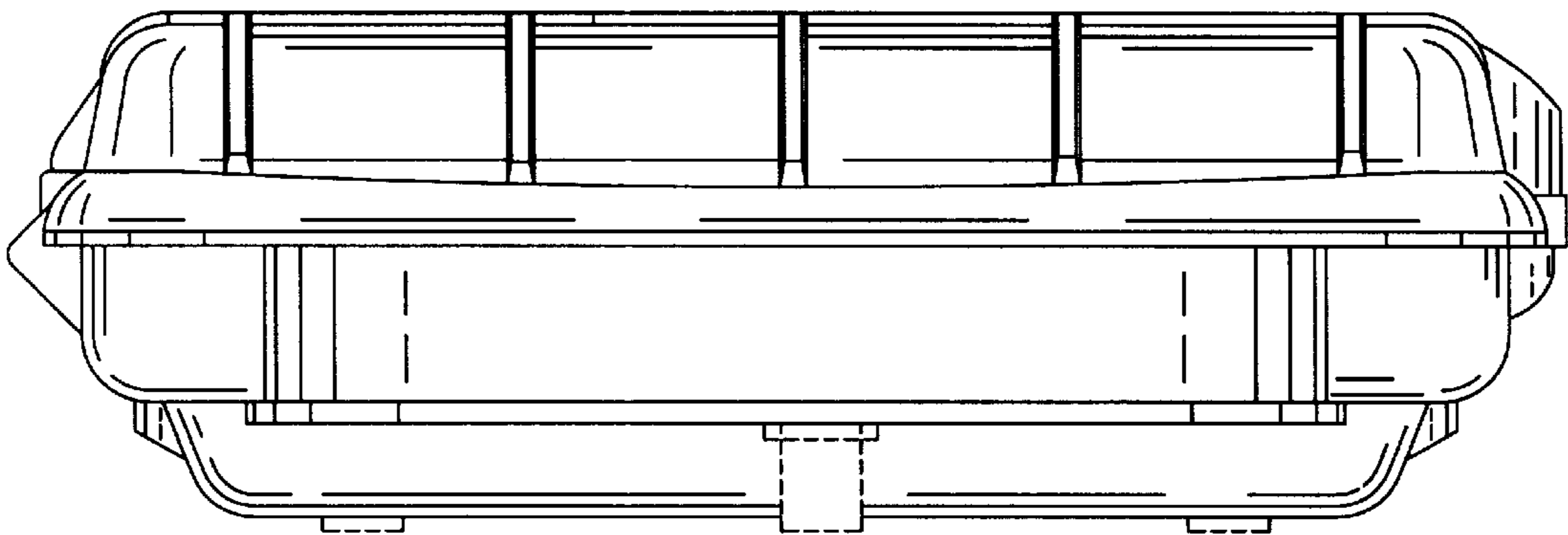


FIG. 7.

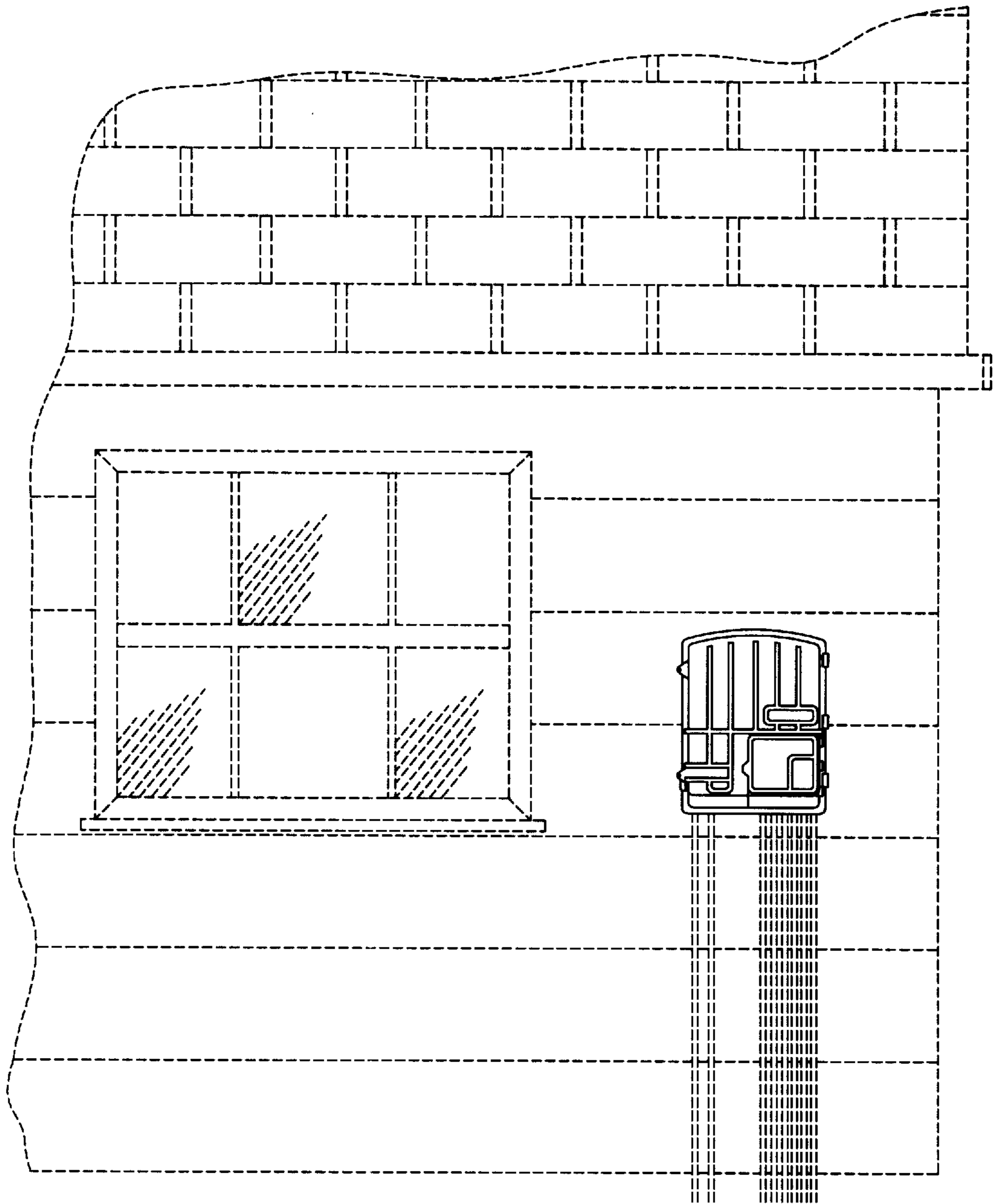


FIG. 8.