



US00D448730B1

(12) **United States Design Patent**
Lee

(10) **Patent No.:** **US D448,730 S**

(45) **Date of Patent:** **** Oct. 2, 2001**

(54) **MULTI-OUTLET CORD CADDY**

(76) Inventor: **Dominic Lee**, Apt. 1C, Duke Garden,
#2 Duke Street, Kowloon (CN)

(**) Term: **14 Years**

(21) Appl. No.: **29/139,476**

(22) Filed: **Mar. 29, 2001**

(51) **LOC (7) Cl.** **13-03**

(52) **U.S. Cl.** **D13/137.4; D13/139.7**

(58) **Field of Search** D13/137.4, 139.4,
D13/139.6-139.8; D8/358; 174/48, 49,
53, 58; 191/12.4; 439/501, 131, 135, 650-654,
638

(56) **References Cited**

U.S. PATENT DOCUMENTS

| | | | | | | |
|-----------|---|---------|-------------|-------|----------|---|
| 5,629,826 | * | 5/1997 | Roca et al. | | 439/501 | X |
| 5,700,150 | * | 12/1997 | Morin | | 191/12.4 | X |
| 6,077,109 | * | 6/2000 | Prazoff | | 439/501 | |

* cited by examiner

Primary Examiner—Jennifer Rivard
(74) *Attorney, Agent, or Firm*—Aufrechtig Stein &
Aufrechtig, P.C.; Peter D. Aufrechtig

(57) **CLAIM**

The ornamental design for a multi-outlet cord caddy, as shown and described.

DESCRIPTION

FIG. 1 is a perspective view of a multi-outlet cord caddy showing my new design;

FIG. 2 is a perspective view from the bottom of the multi-outlet cord caddy showing my new design in a position of use;

FIG. 3 is top plan view thereof;

FIG. 4 is a bottom plan view thereof;

FIG. 5 is left side elevational view thereof;

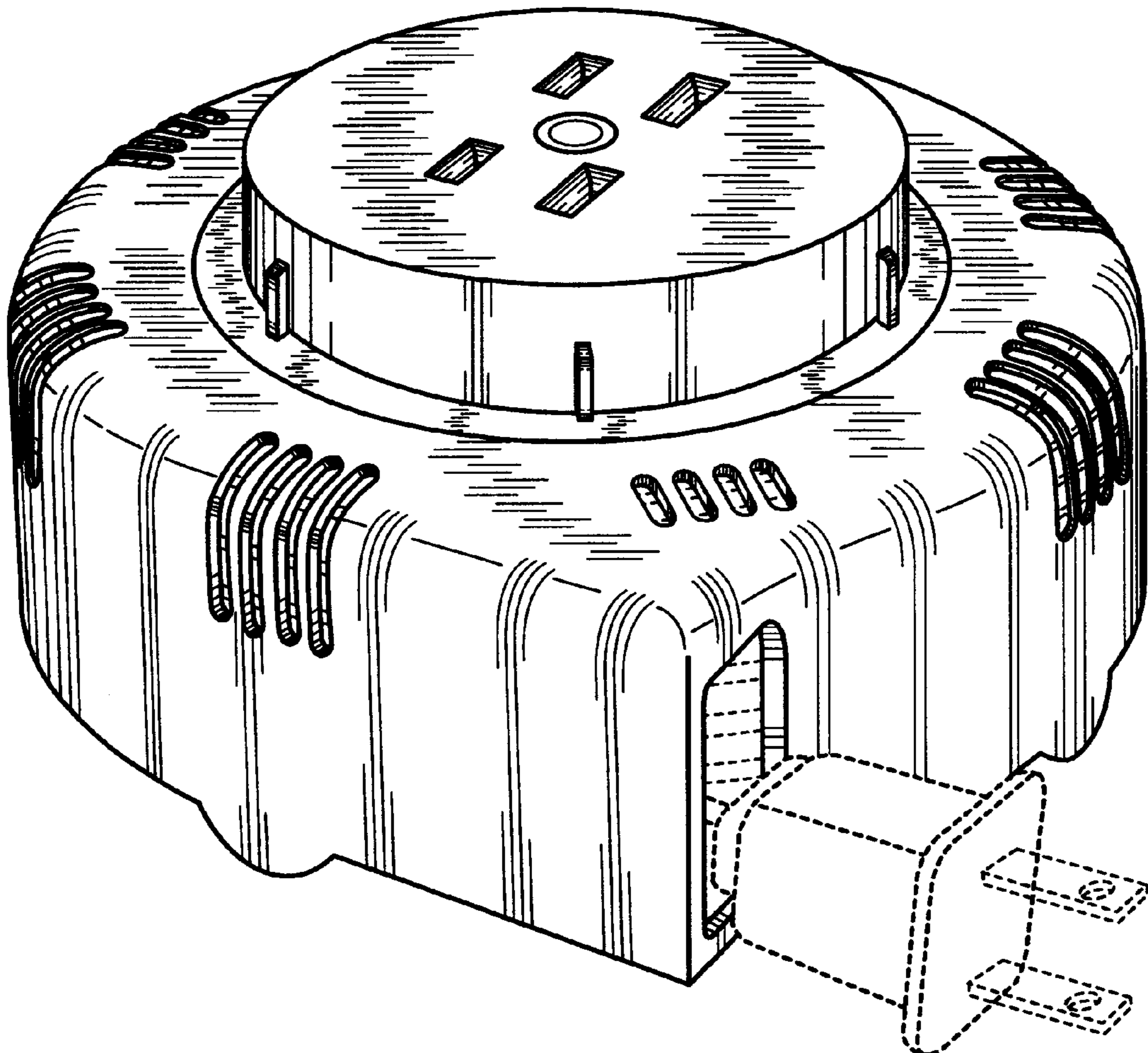
FIG. 6 is a right side elevational view thereof;

FIG. 7 is a front elevational view thereof; and,

FIG. 8 is a rear elevational view thereof.

The broken line environmental showings of the cord and plug are for illustrative purposes only and form no part of the claimed design.

1 Claim, 6 Drawing Sheets



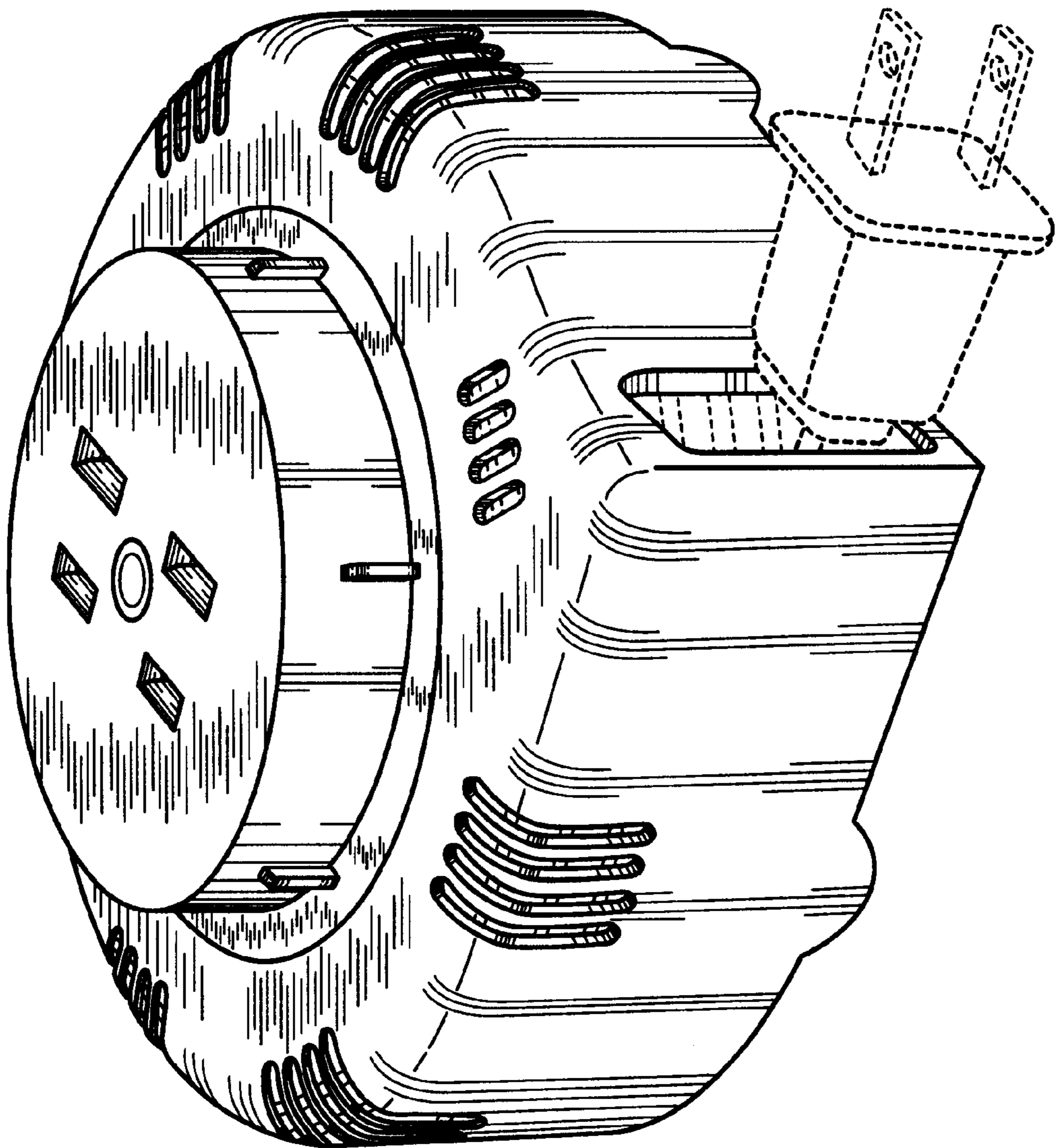


FIG. 1

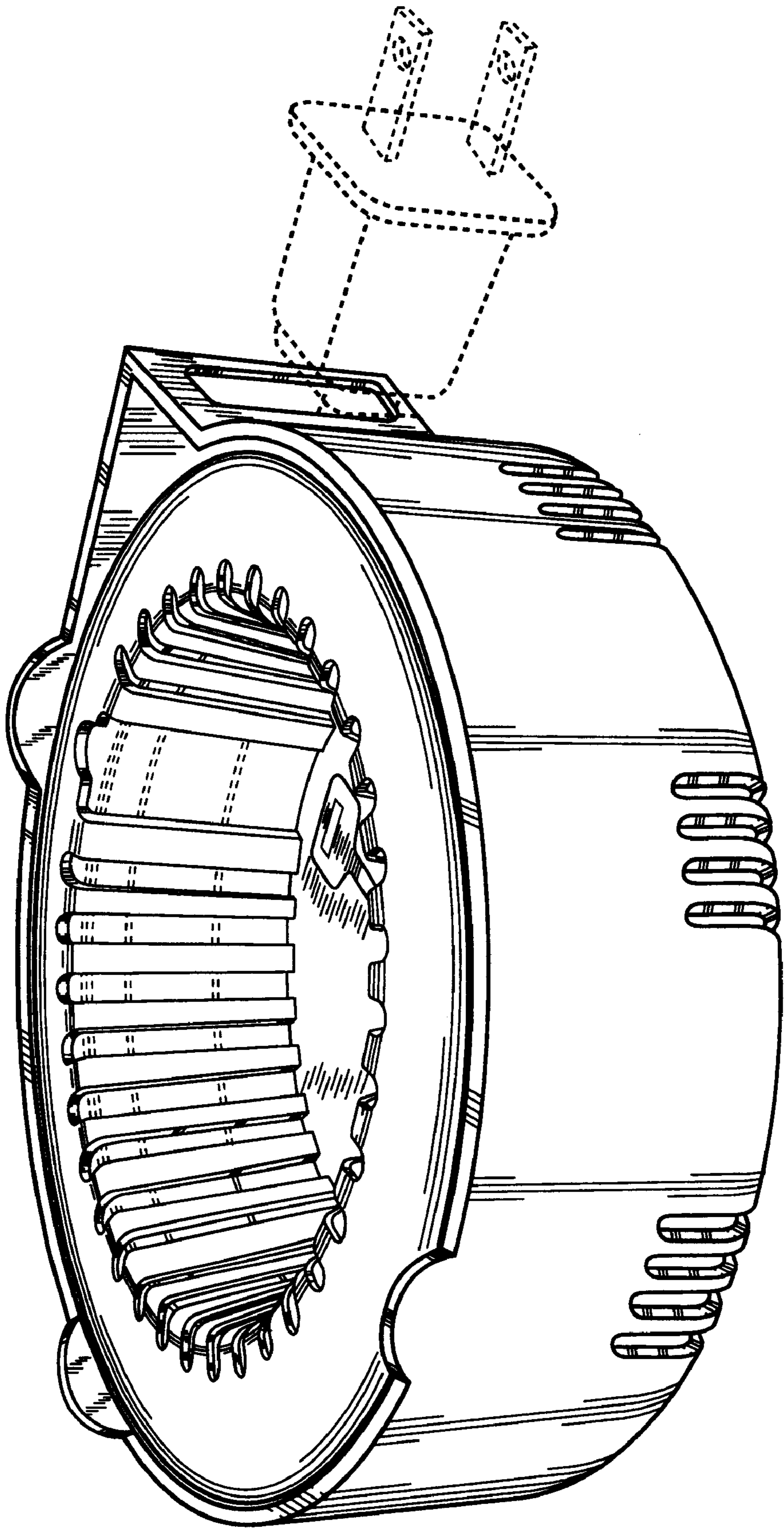


FIG. 2

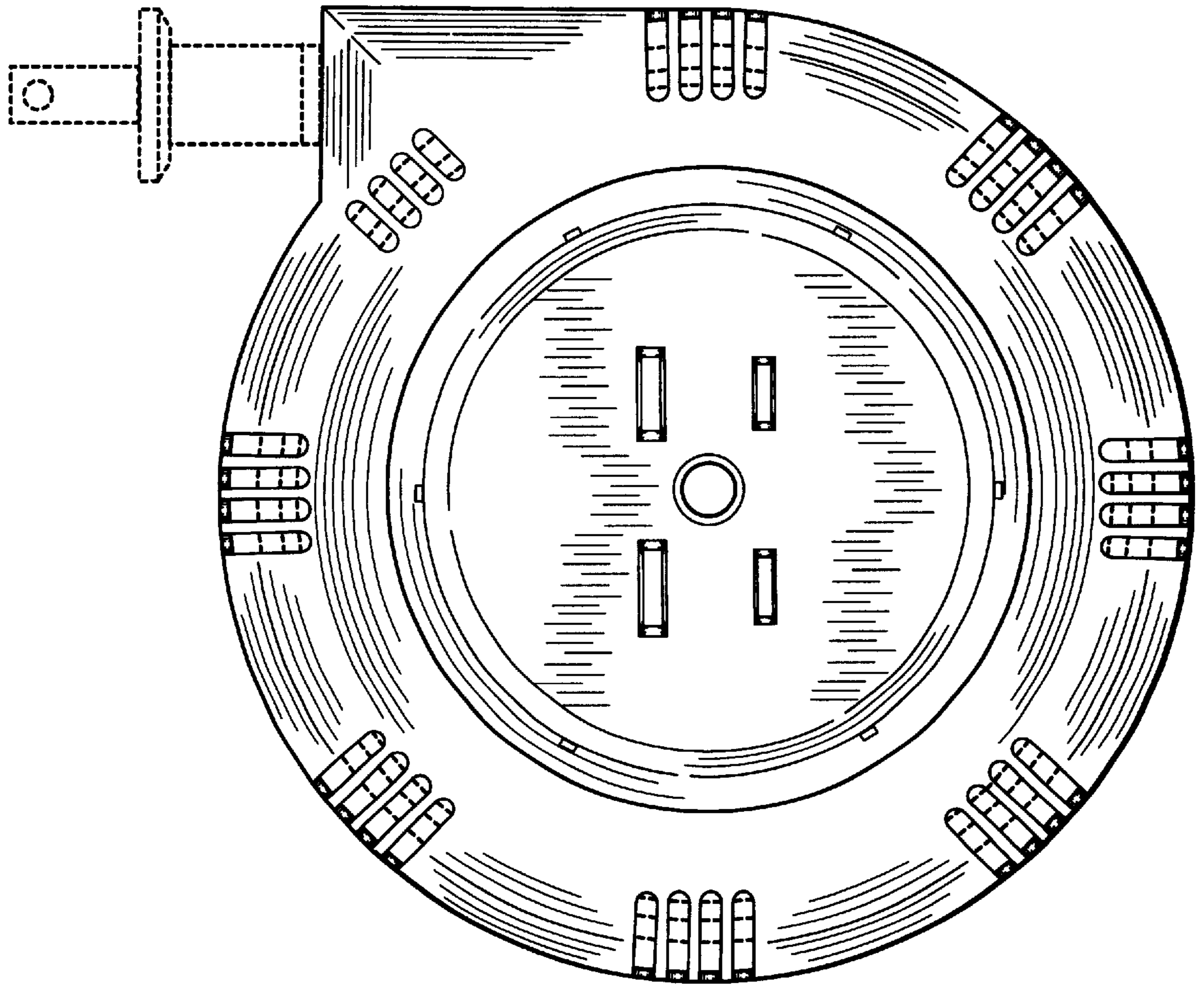


FIG. 3

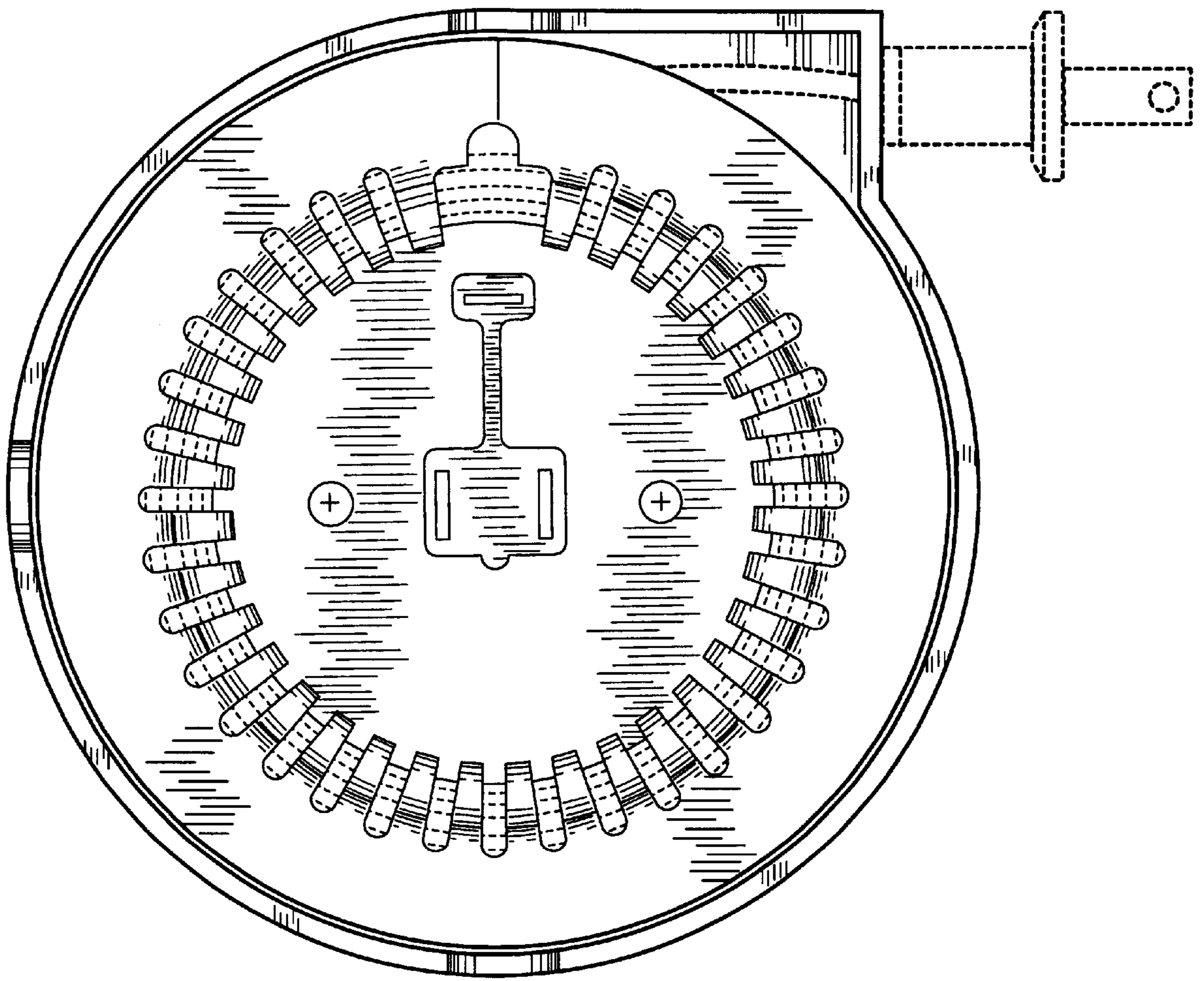


FIG. 4

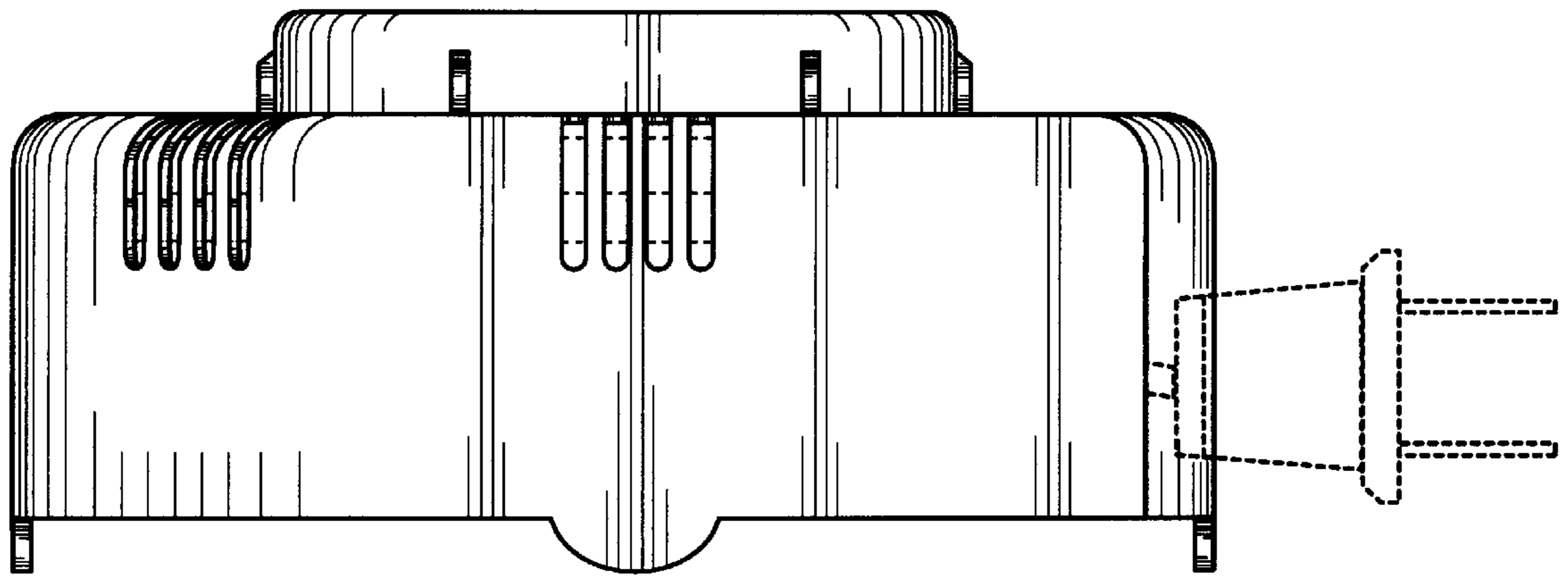


FIG. 5

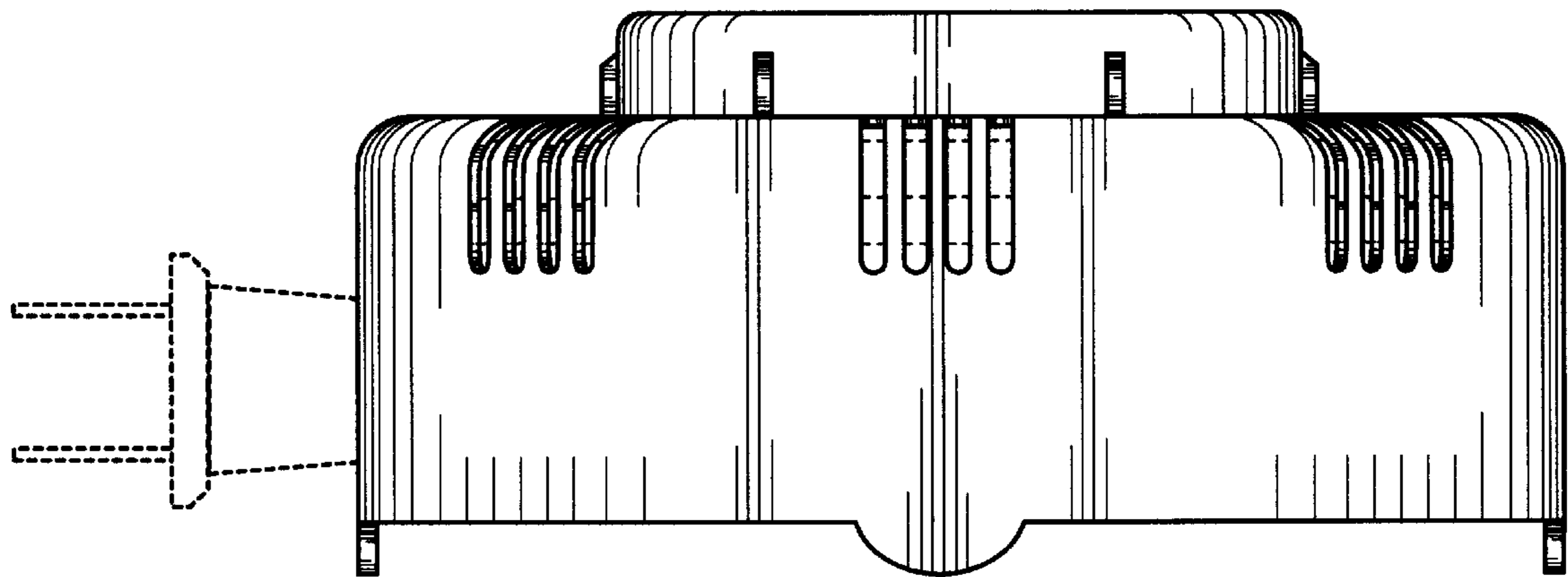


FIG. 6

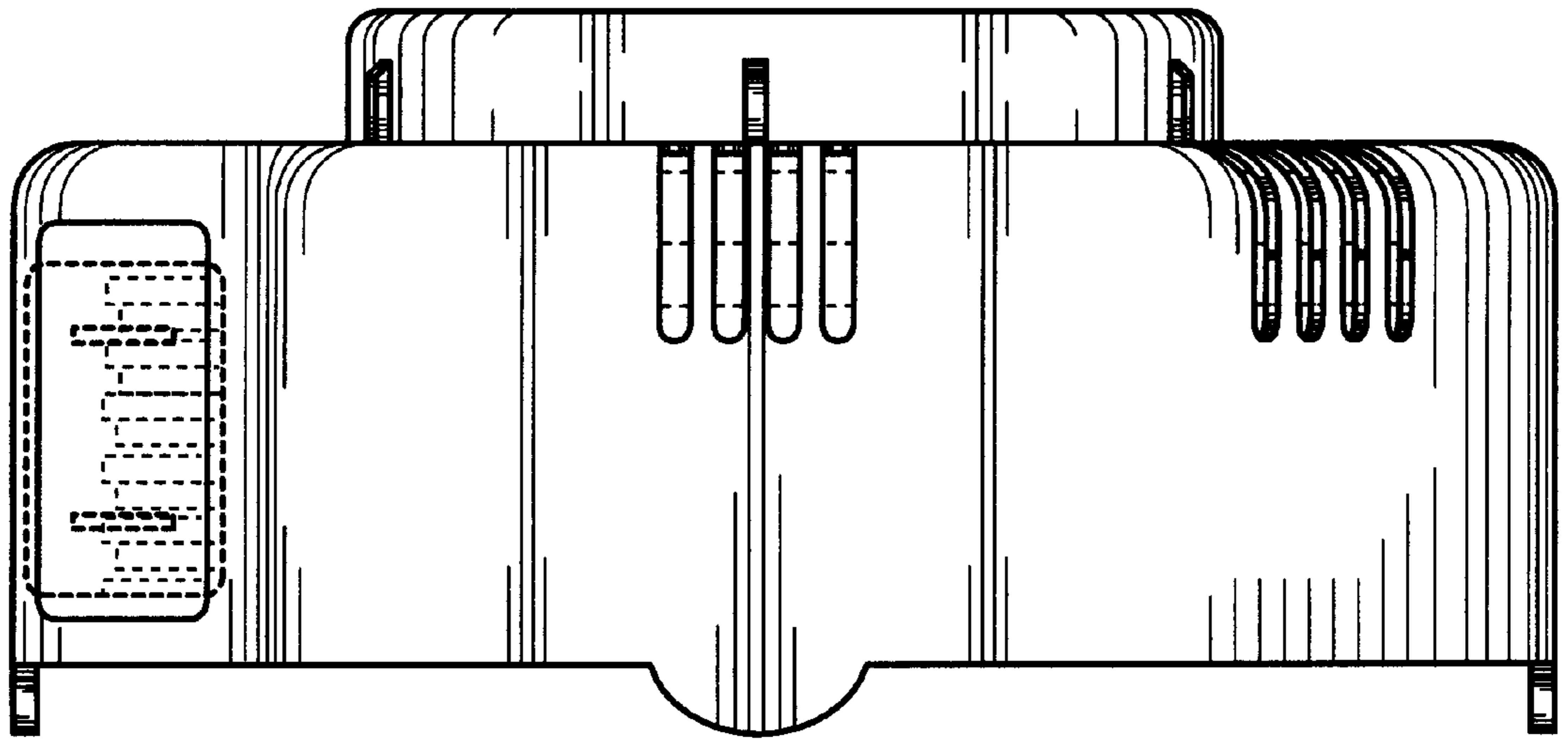


FIG. 7

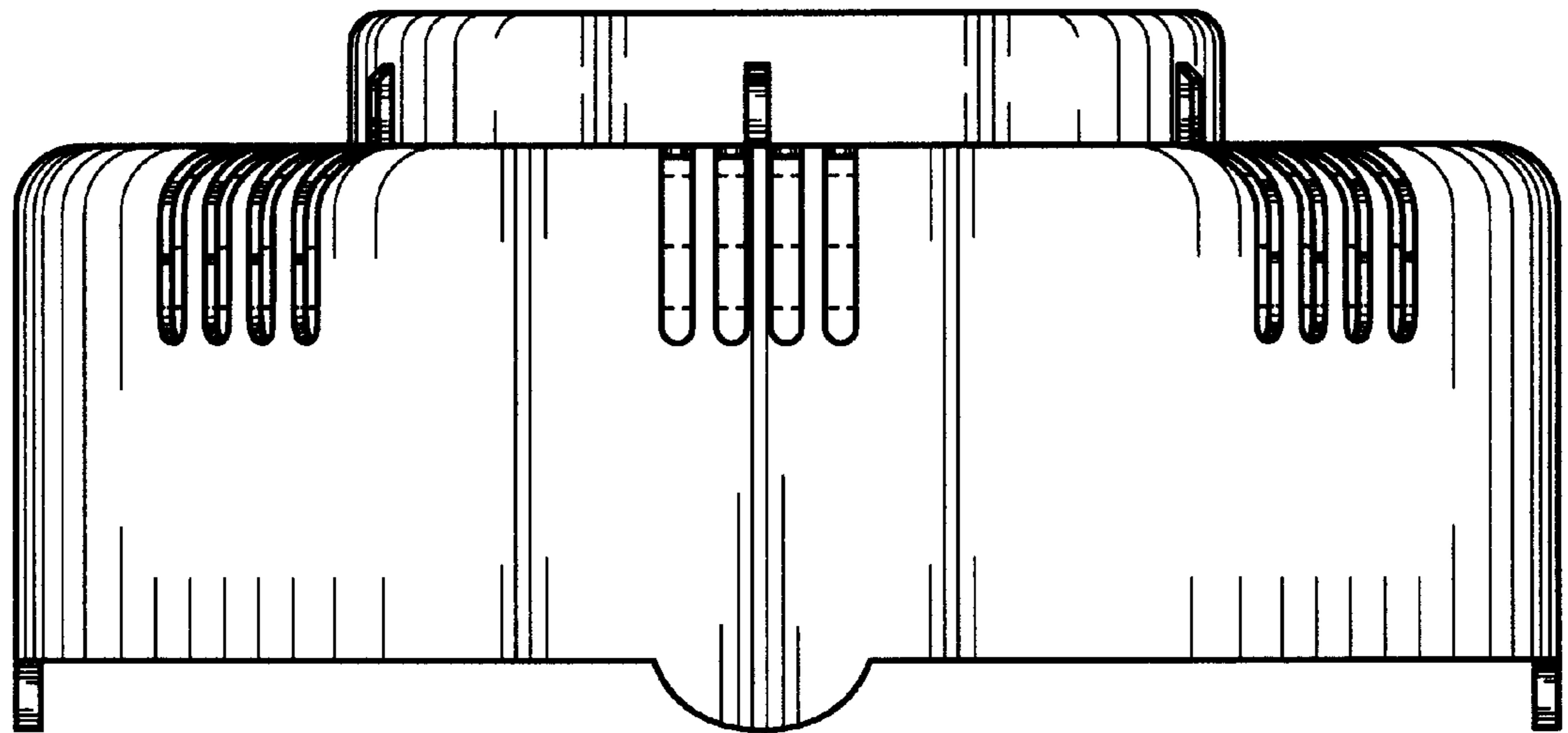


FIG. 8