



US00D448729B1

(12) **United States Design Patent**  
**Asao et al.**

(10) **Patent No.:** **US D448,729 S**  
(45) **Date of Patent:** **\*\* Oct. 2, 2001**

(54) **STATOR OF AC GENERATOR FOR VEHICLES**

(75) **Inventors:** **Yoshihito Asao; Katsumi Adachi**, both of Tokyo (JP)

(73) **Assignee:** **Mitsubishi Denki Kabushiki Kaisha**, Tokyo (JP)

(\*\*) **Term:** **14 Years**

(21) **Appl. No.:** **29/124,817**

(22) **Filed:** **Jun. 13, 2000**

(30) **Foreign Application Priority Data**

Dec. 14, 1999 (JP) ..... 11-34431

(51) **LOC (7) Cl.** ..... **13-02**

(52) **U.S. Cl.** ..... **D13/122**

(58) **Field of Search** ..... D13/118, 122;  
310/52, 179, 180, 201, 254-260

(56) **References Cited**

**U.S. PATENT DOCUMENTS**

D. 425,857	*	5/2000	Umeda et al.	.....	D13/118
D. 426,191	*	6/2000	Umeda et al.	.....	D13/122
3,194,993	*	7/1965	Hackney	.....	310/43
3,453,468	*	7/1969	Lund	.....	310/180
3,792,299	*	2/1974	Hallerback	.....	310/258
4,481,438	*	11/1984	Keim	.....	310/201
5,396,137	*	3/1995	Shinto et al.	.....	310/156
5,998,903	*	12/1999	Umeda et al.	.....	310/179
6,011,338	*	1/2000	Bell et al.	.....	310/184

**FOREIGN PATENT DOCUMENTS**

09103052	*	4/1997	(JP)	.....	H02K/15/02
1041849		6/1999	(JP)	.	
1041849-1		6/1999	(JP)	.	
1041849-2		6/1999	(JP)	.	
1041849-3		2/2000	(JP)	.	

**OTHER PUBLICATIONS**

Mitsubishi '93 Automotive Electrical Equipments Parts Catalog (Alternator) (Starting Motor), Feb. 1993.

\* cited by examiner

*Primary Examiner*—Joel Sincavage

(74) *Attorney, Agent, or Firm*—Oblon, Spivak, McClland, Maier & Neustadt, P.C.

(57) **CLAIM**

The ornamental design for a stator of AC generator for vehicles, as shown.

**DESCRIPTION**

FIG. 1 is a front, and top side perspective view of a stator of AC generator for vehicles showing our new design; FIG. 2 is a front elevational view thereof; FIG. 3 is a top plan view thereof; FIG. 4 is a rear elevational view thereof; FIG. 5 is a bottom plan view thereof; FIG. 6 is a right side elevational view thereof; and, FIG. 7 is a left side elevational view thereof.

**1 Claim, 4 Drawing Sheets**

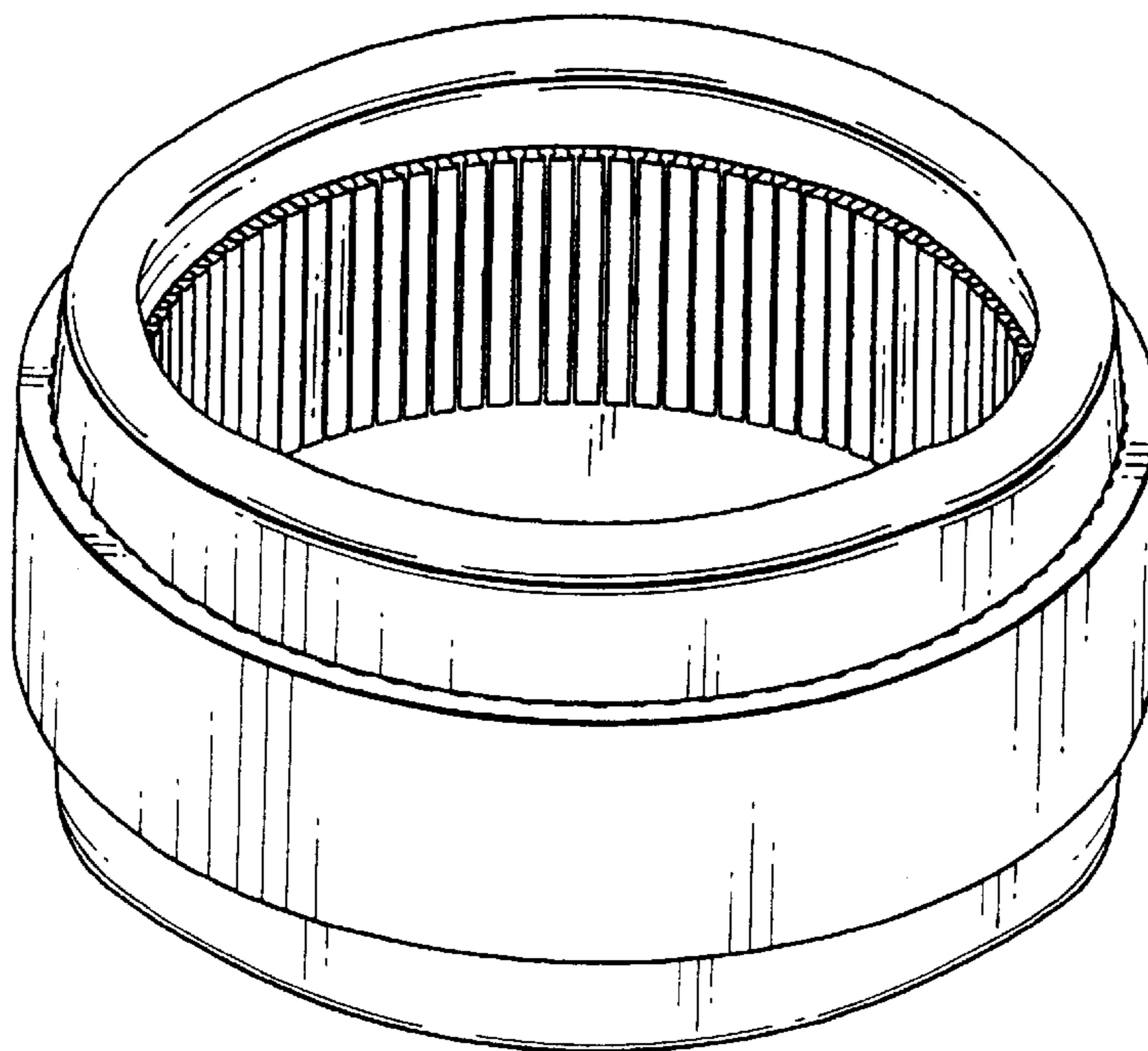


FIG. 1

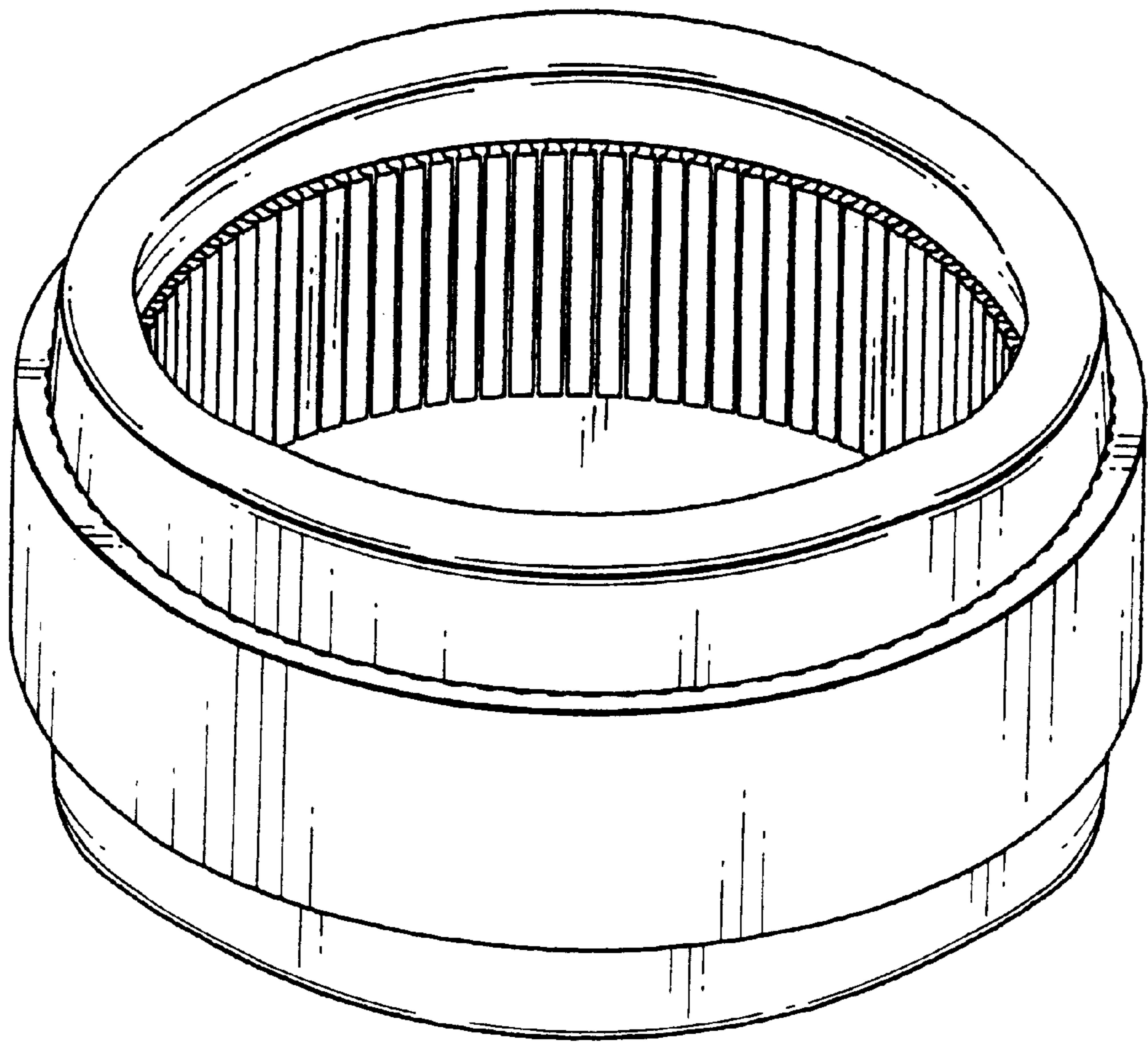


FIG. 2

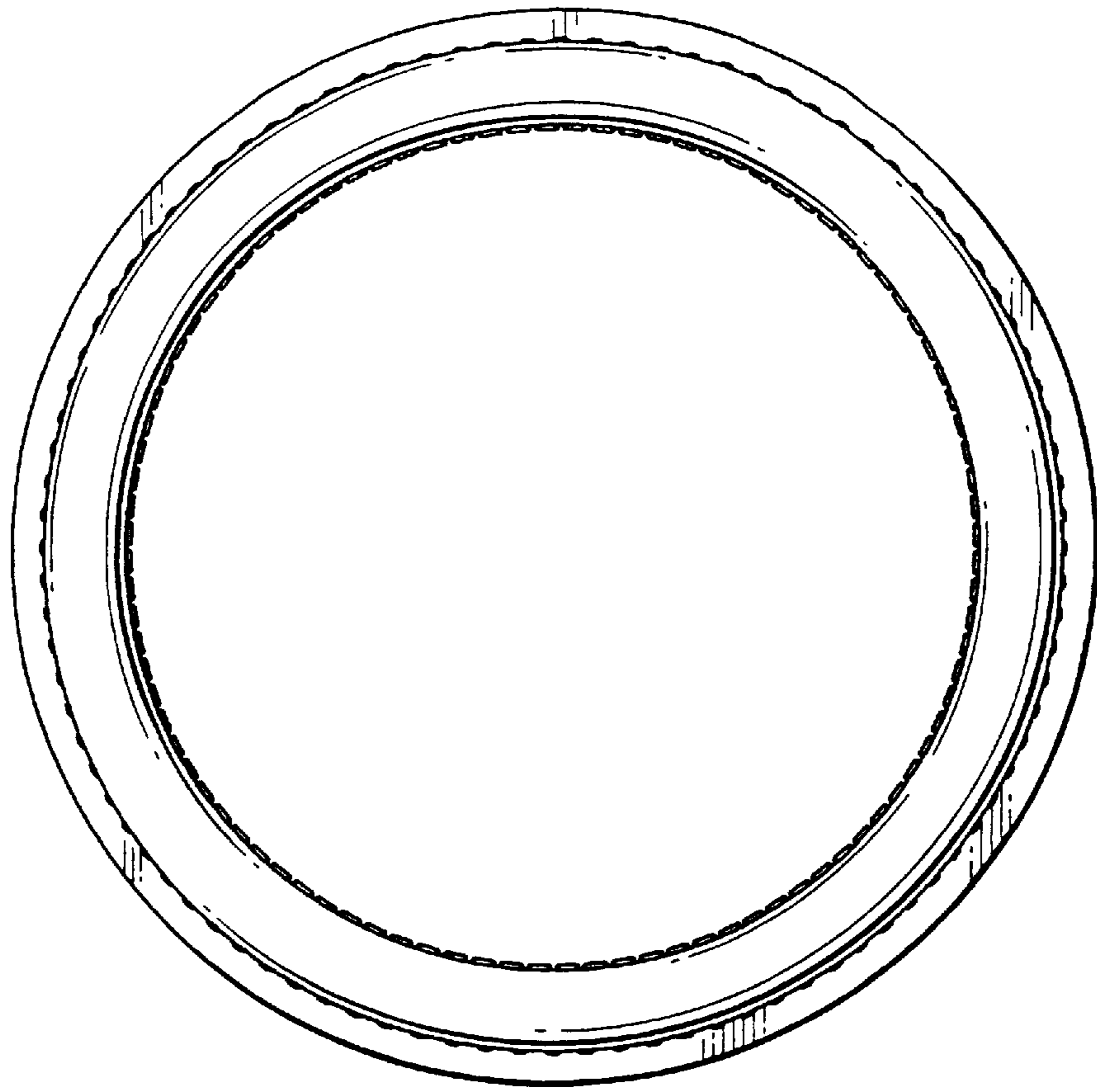


FIG. 3

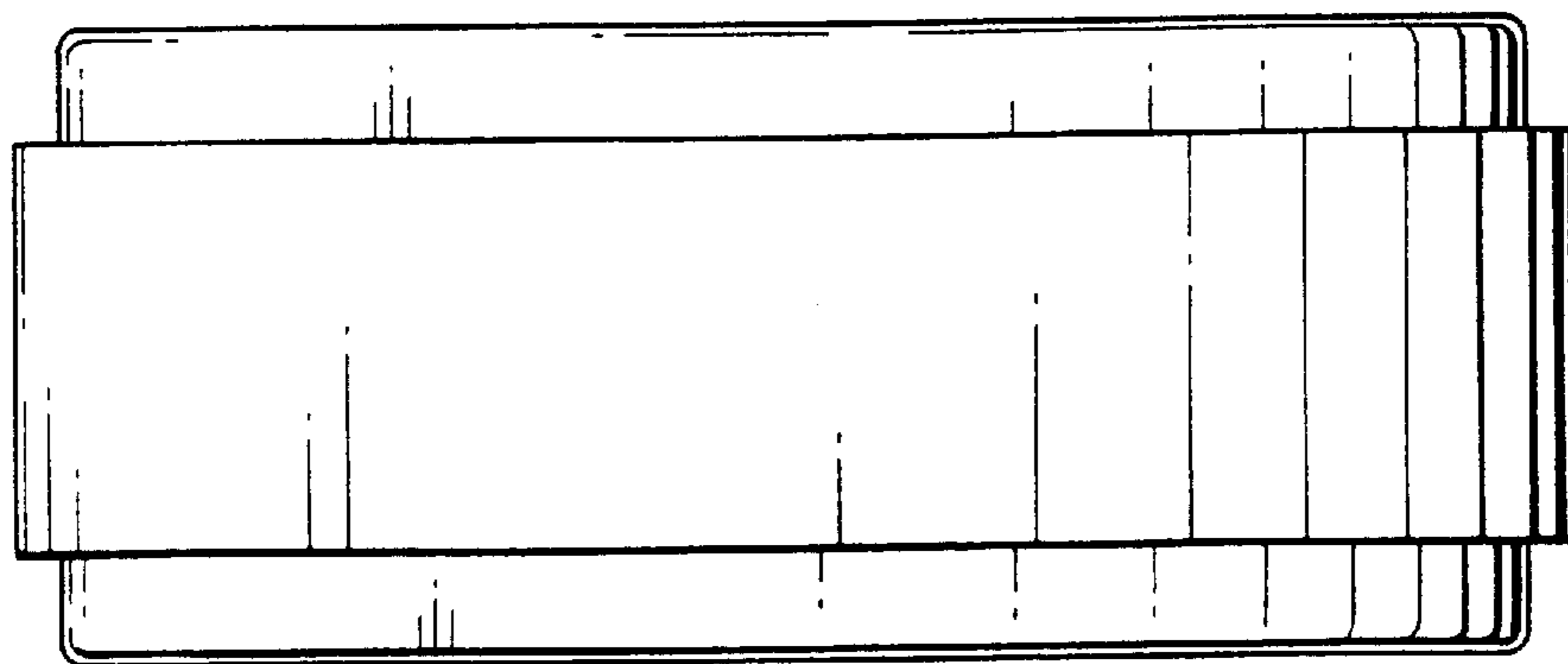


FIG. 4

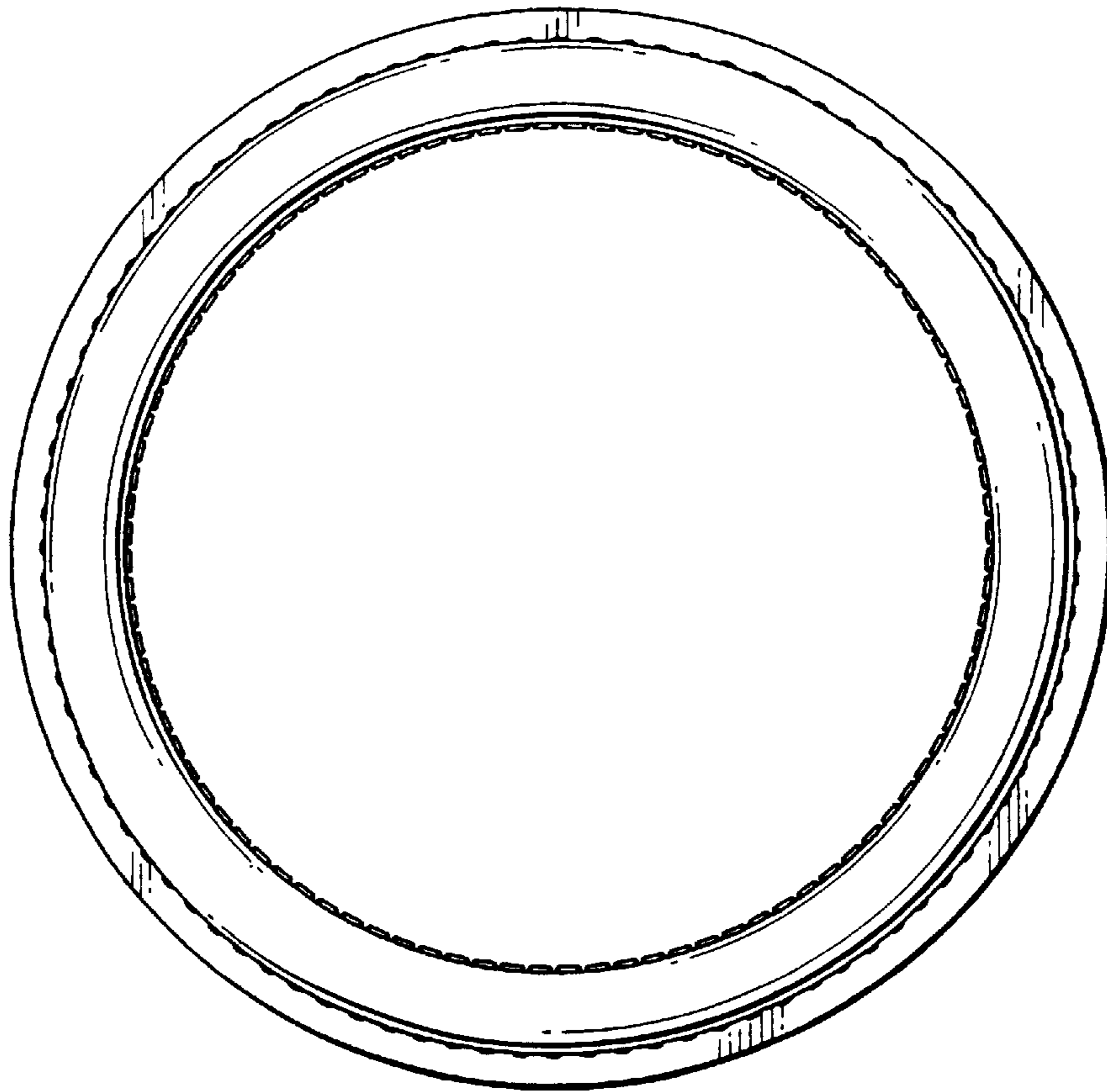


FIG. 5

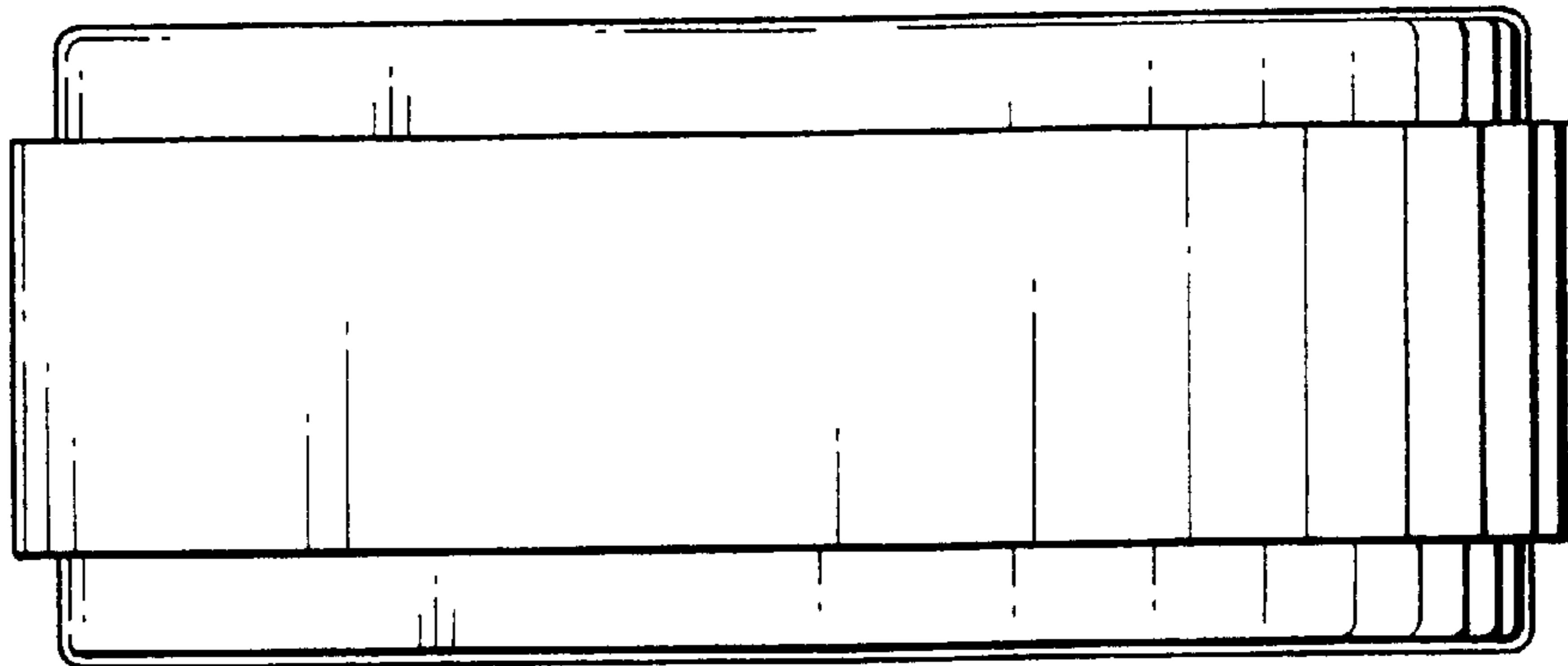


FIG. 6

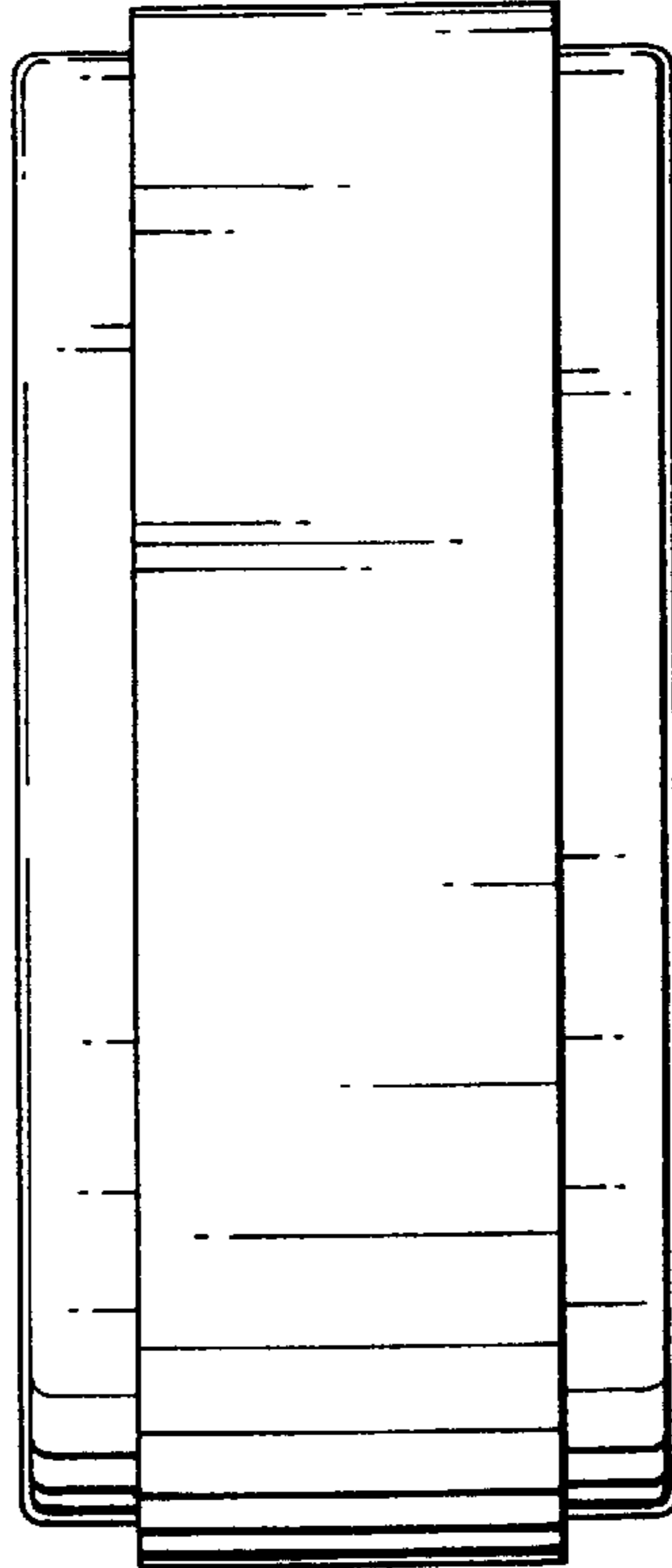


FIG. 7

