



US00D448727B1

(12) **United States Design Patent**
Liang

(10) **Patent No.:** **US D448,727 S**

(45) **Date of Patent:** **** Oct. 2, 2001**

(54) **ELECTRIC COUPLER FOR BATTERIES**

Primary Examiner—Joel Sincavage

(76) **Inventor:** **Shih Tsung Liang**, P.O. Box 10-69,
Chong Ho, Taipei (TW), 235

(57) **CLAIM**

(**) **Term:** **14 Years**

The ornamental design for an electric coupler for batteries,
as shown and described.

(21) **Appl. No.:** **29/141,251**

DESCRIPTION

(22) **Filed:** **Apr. 30, 2001**

FIG. 1 is a perspective view of an electric coupler for
batteries showing my new design;

(51) **LOC (7) Cl.** **13-02**

FIG. 2 is a front elevational view thereof;

(52) **U.S. Cl.** **D13/120**

FIG. 3 is a rear elevational view thereof;

(58) **Field of Search** **D13/120, 151;**

FIG. 4 is a top plan view thereof;

439/762, 763, 764, 798

FIG. 5 is a bottom plan view thereof;

(56) **References Cited**

FIG. 6 is a left side elevational view thereof; and

U.S. PATENT DOCUMENTS

FIG. 7 is a right side elevational view thereof; and,

D. 399,487 * 10/1998 Awbrey et al. D13/120

FIG. 8 is a perspective view of a second embodiment of an
electric coupler for batteries. Except for the screw heads on
the top surface, all other views of the second embodiment
are the same as the FIGS. 1–7. The electric wires depicted
by means of broken lines illustrate environmental structure
only and form no part of the claimed design.

D. 409,977 * 5/1999 Liang D13/120

D. 438,173 * 2/2001 Liang D13/120

3,519,981 * 7/1970 Koletsos 439/798

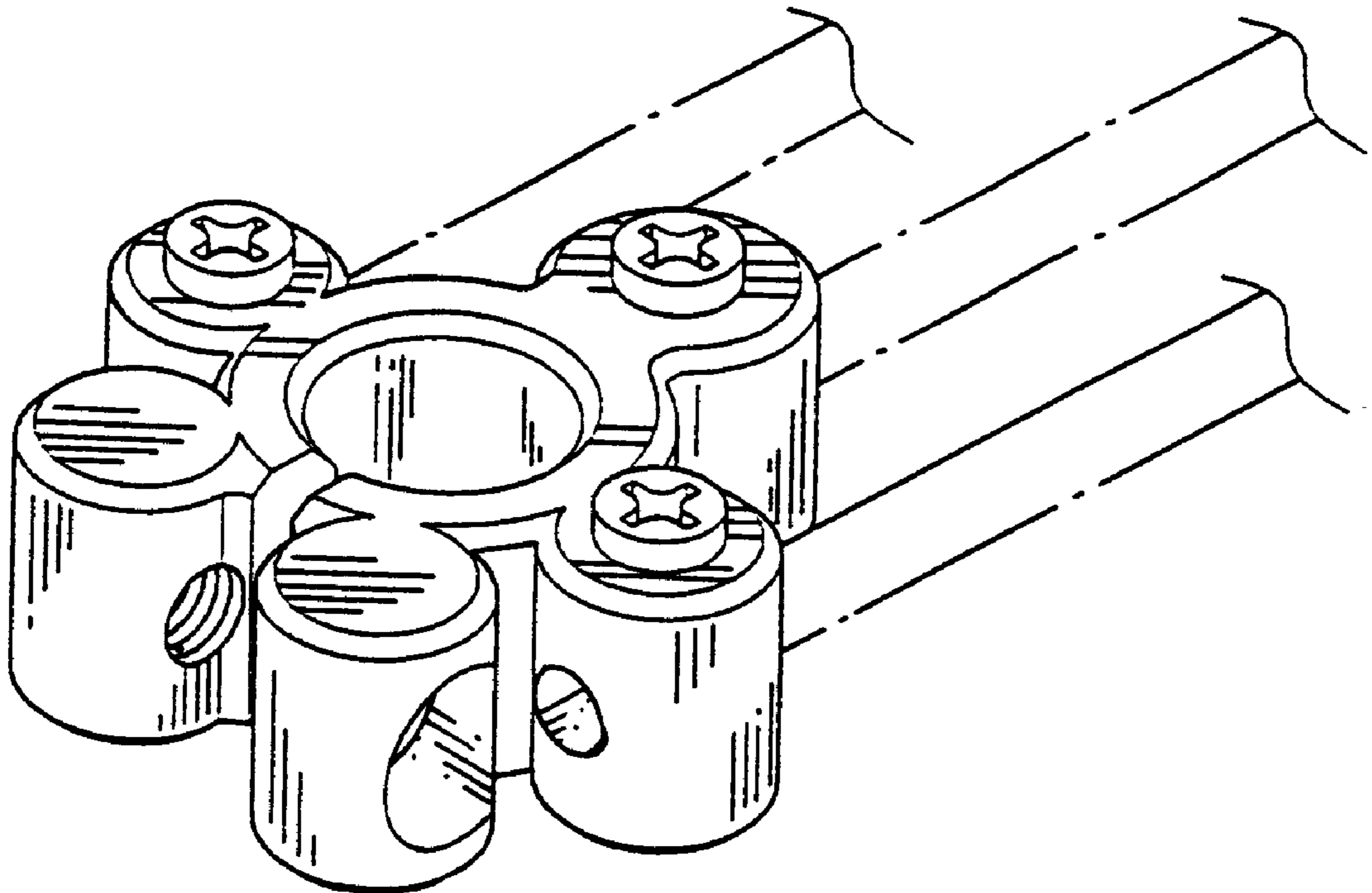
4,636,025 * 1/1987 Norris 439/764 X

5,266,057 * 11/1993 Angel, Jr. et al. 439/798 X

5,707,258 * 1/1998 Pilotti 439/763

* cited by examiner

1 Claim, 2 Drawing Sheets



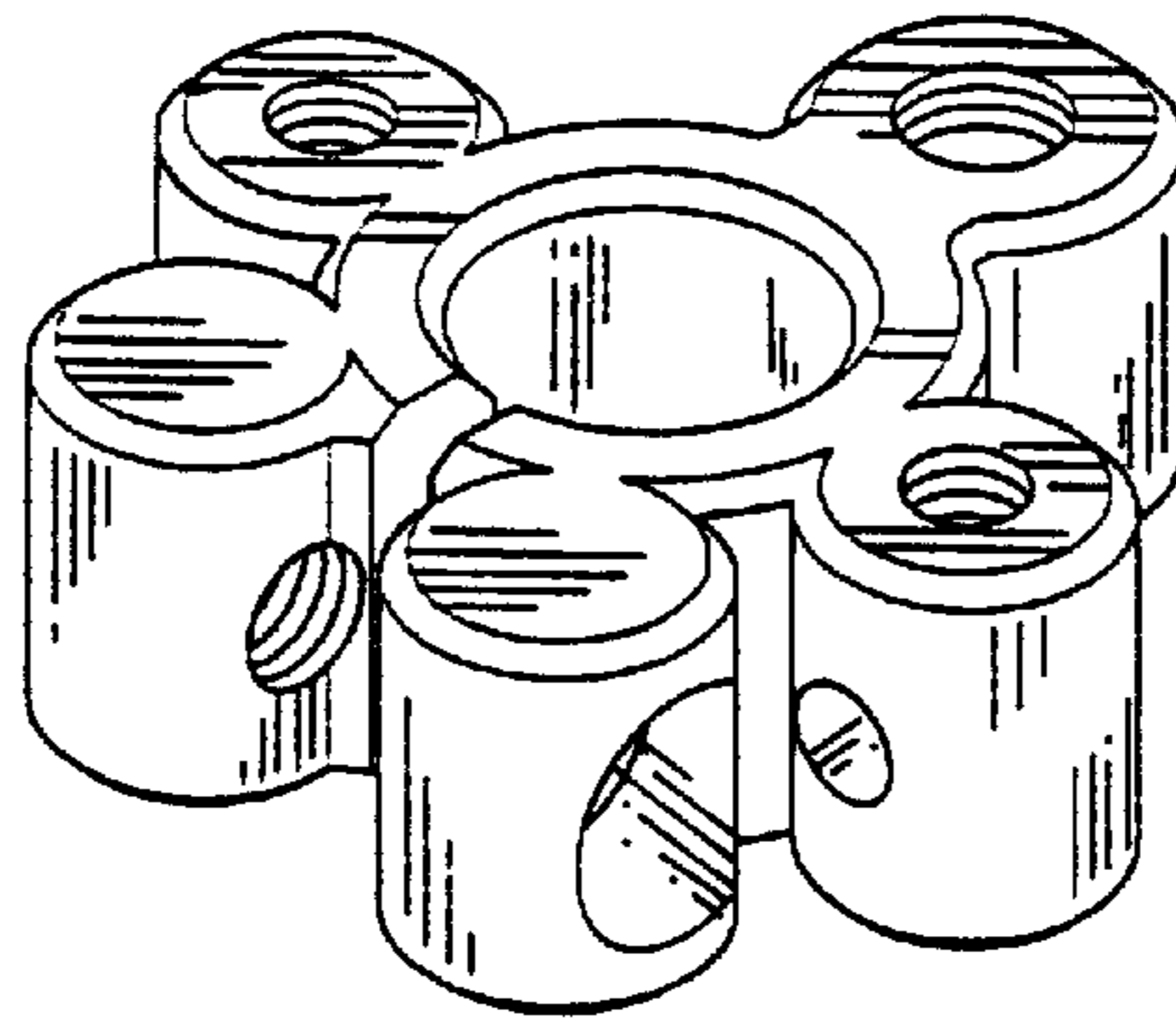


FIG. 1

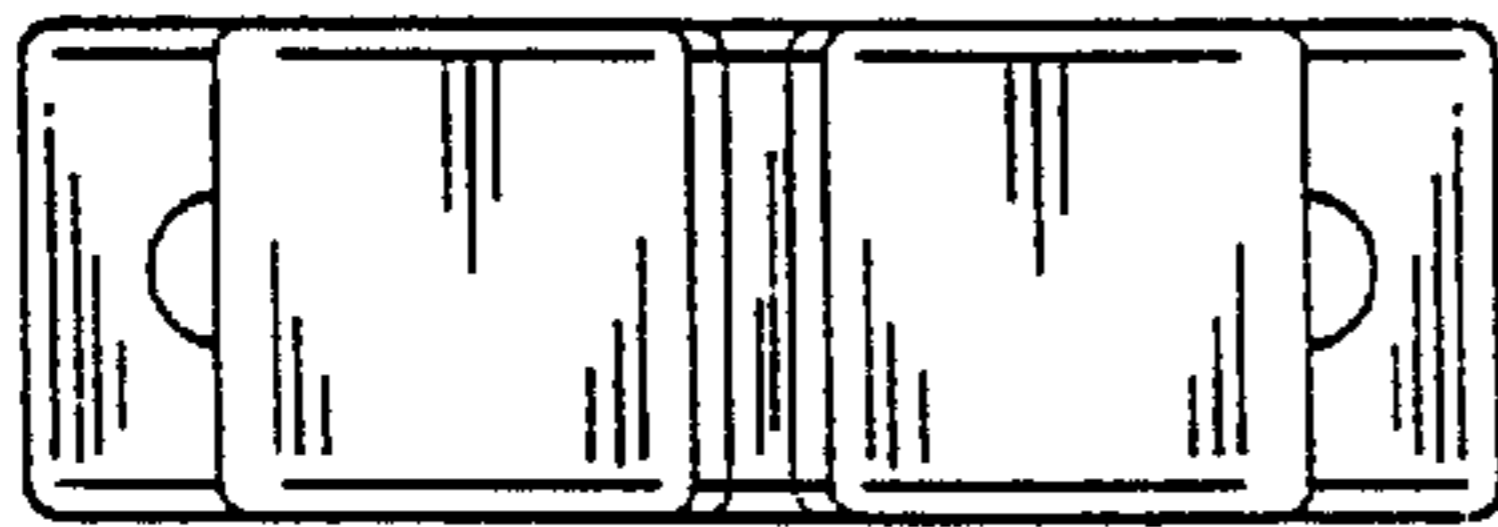


FIG. 2

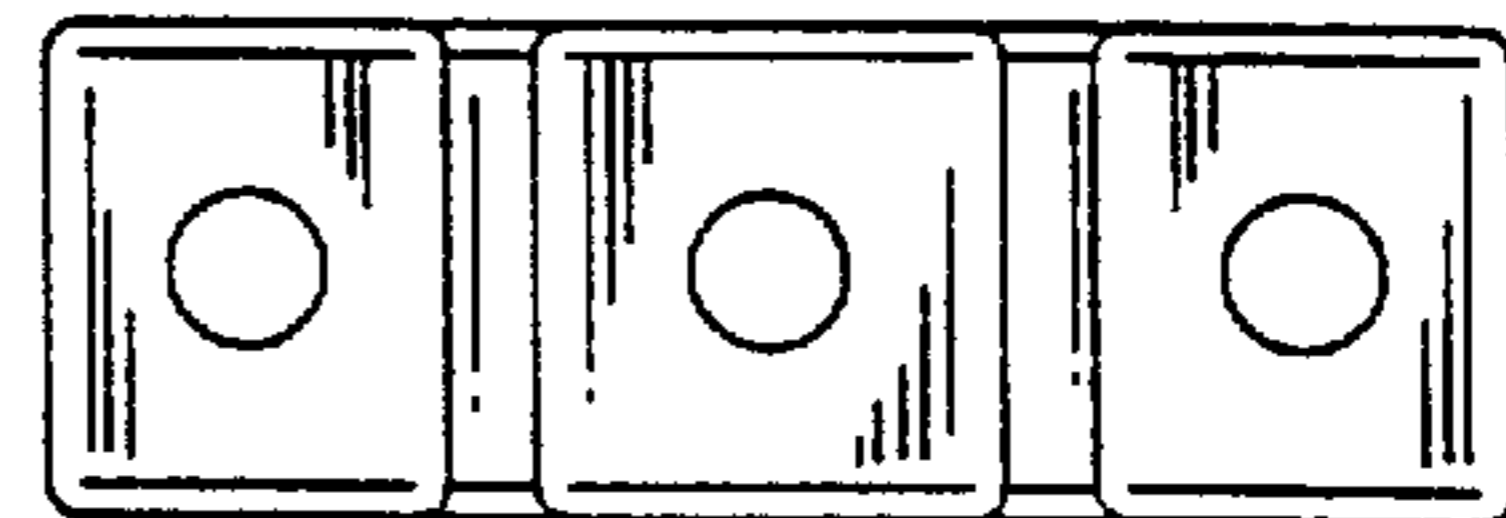


FIG. 3

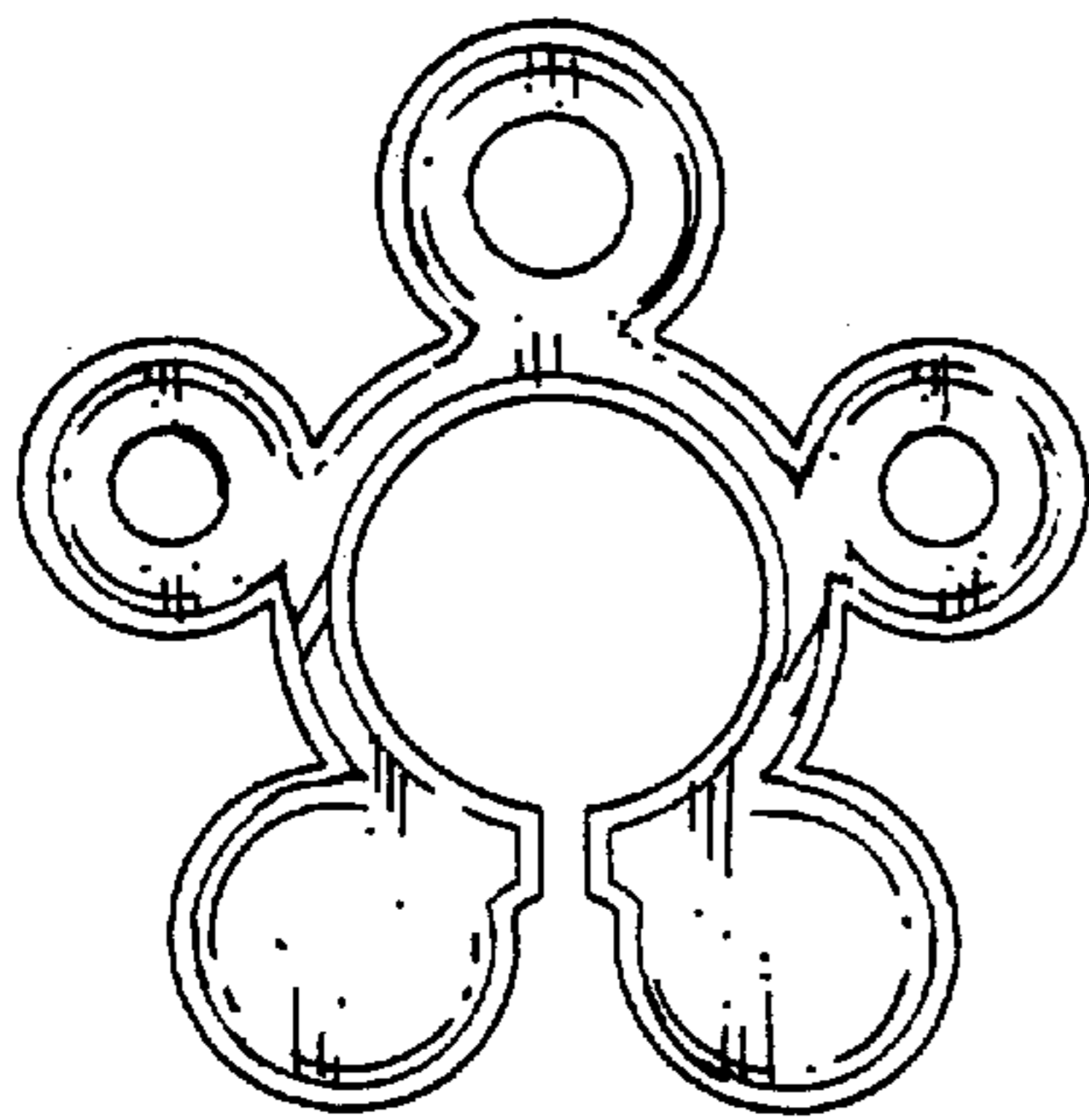


FIG. 4

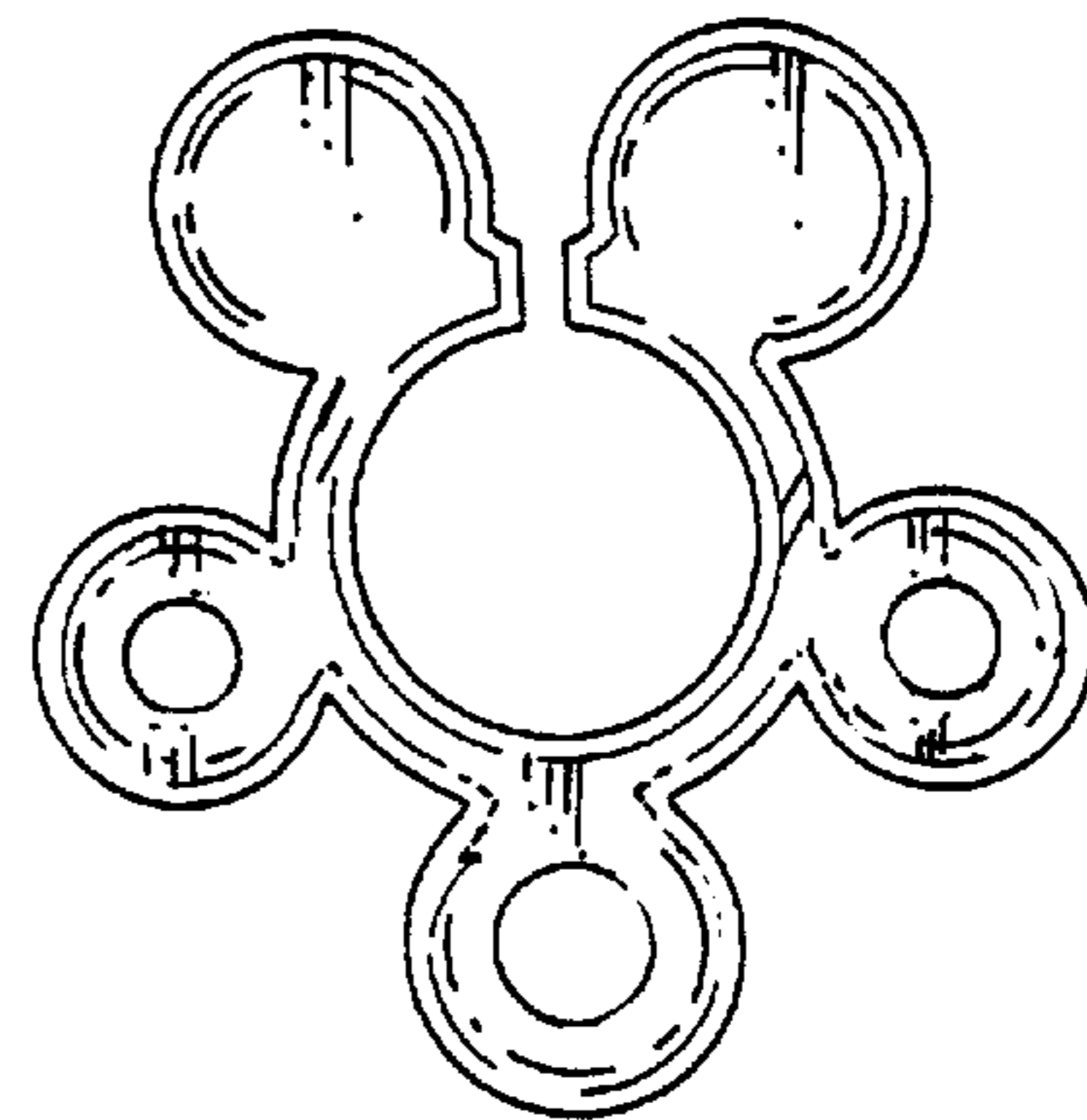


FIG. 5

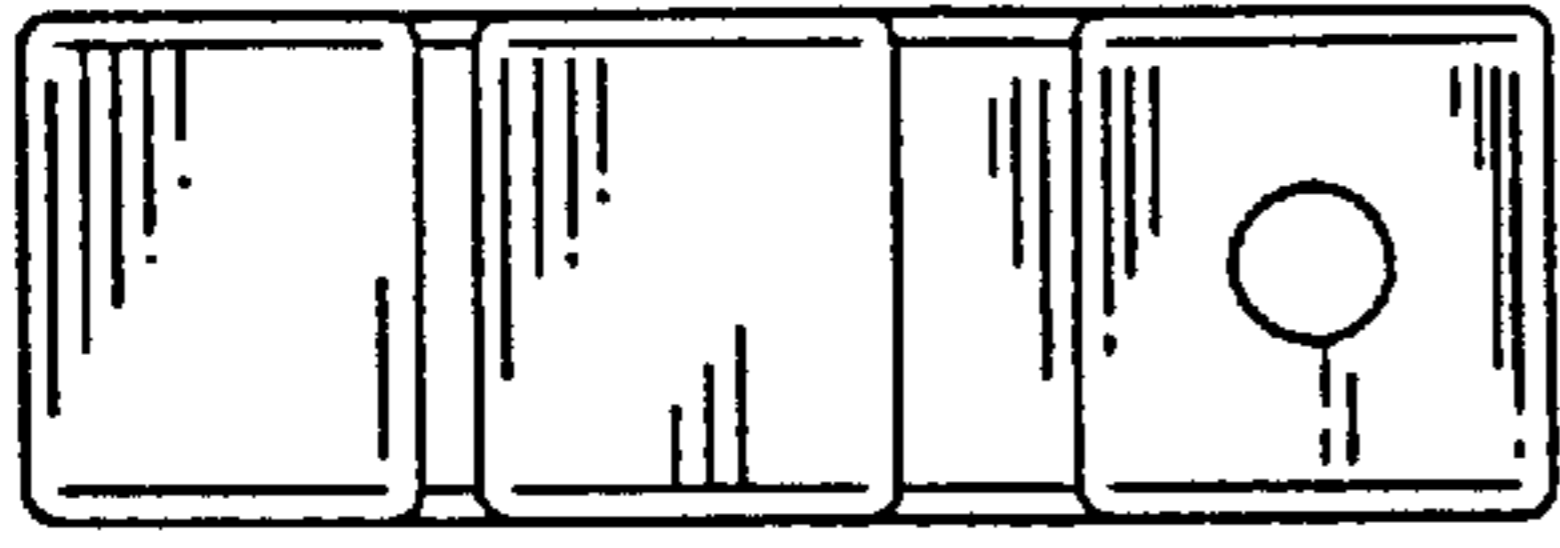


FIG. 6

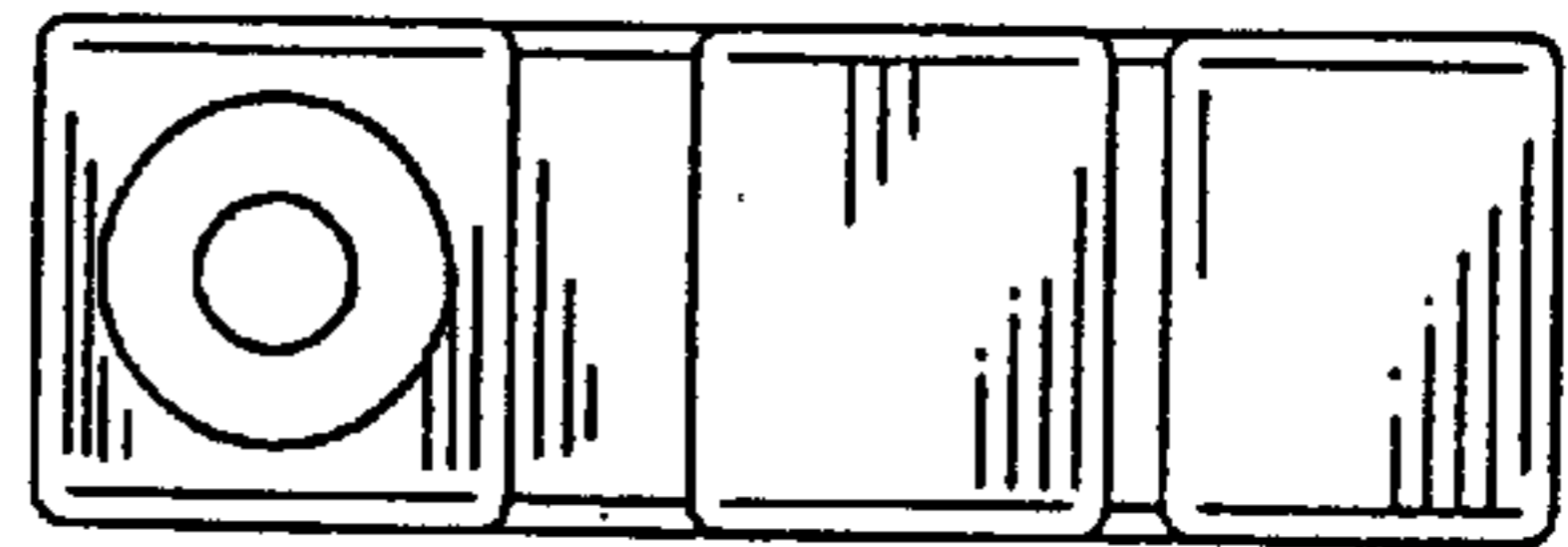


FIG. 7

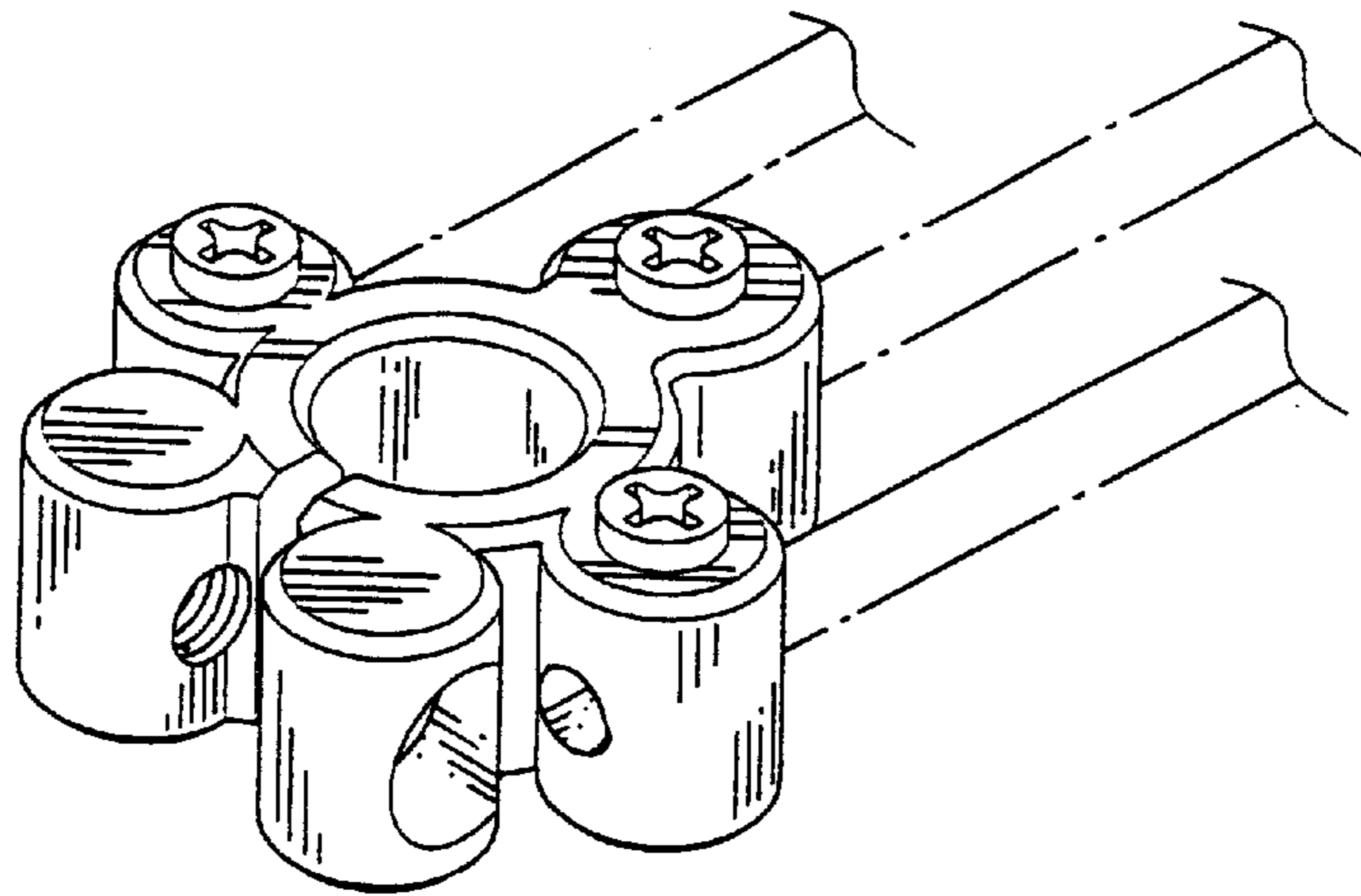


FIG. 8