



US00D448722B1

(12) **United States Design Patent**
Drummond

(10) **Patent No.:** **US D448,722 S**

(45) **Date of Patent:** **** Oct. 2, 2001**

(54) **SOLAR COLLECTOR PANEL**

4,224,927 * 9/1980 Patil 126/675

(76) Inventor: **Noel Richard Drummond**, 3301
Summerland Way, Grafton, New South
Wales 2460 (AU)

* cited by examiner

Primary Examiner—Joel Sincavage

(74) *Attorney, Agent, or Firm*—Birch, Stewart, Kolasch &
Birch, LLP

(**) Term: **14 Years**

(21) Appl. No.: **29/104,441**

(57) **CLAIM**

(22) Filed: **May 5, 1999**

The ornamental design for a solar collector panel, as shown
and described.

(30) **Foreign Application Priority Data**

DESCRIPTION

Nov. 5, 1998 (AU) 3548/98

(51) **LOC (7) Cl.** **13-02**

FIG. 1: is a perspective view of a solar collector panel
showing my new design.

(52) **U.S. Cl.** **D13/102**

FIG. 2: is a front view thereof;

(58) **Field of Search** D13/102; D23/263;

FIG. 3: is a rear view thereof.

126/649, 675, 623, 635; 156/245

FIG. 4 is a right end elevational view thereof;

FIG. 5 is a left end elevational view thereof;

(56) **References Cited**

FIG. 6 is a top plan view thereof; and,

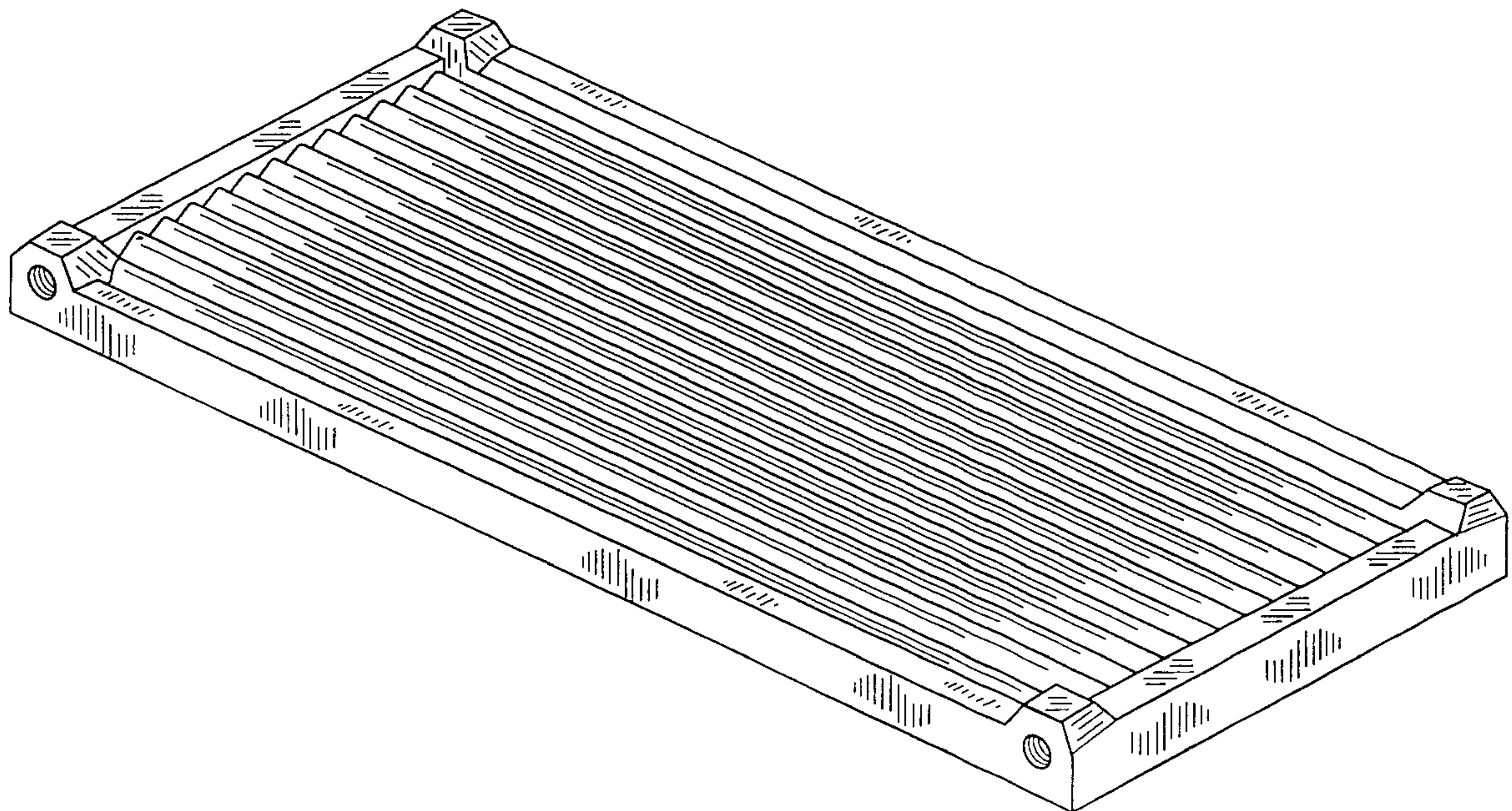
FIG. 7 is a bottom plan view thereof.

U.S. PATENT DOCUMENTS

The broken line shown in FIGS. 6 and 7 is included for the
purpose of illustrating environmental structure only and
forms no part of the claimed design.

- D. 262,307 * 12/1981 Parlato D13/102
- D. 280,234 * 8/1985 Takeuchi et al. D13/102
- D. 283,536 * 4/1986 Fossum D13/102
- 4,153,042 * 5/1979 Tragert 126/649

1 Claim, 3 Drawing Sheets



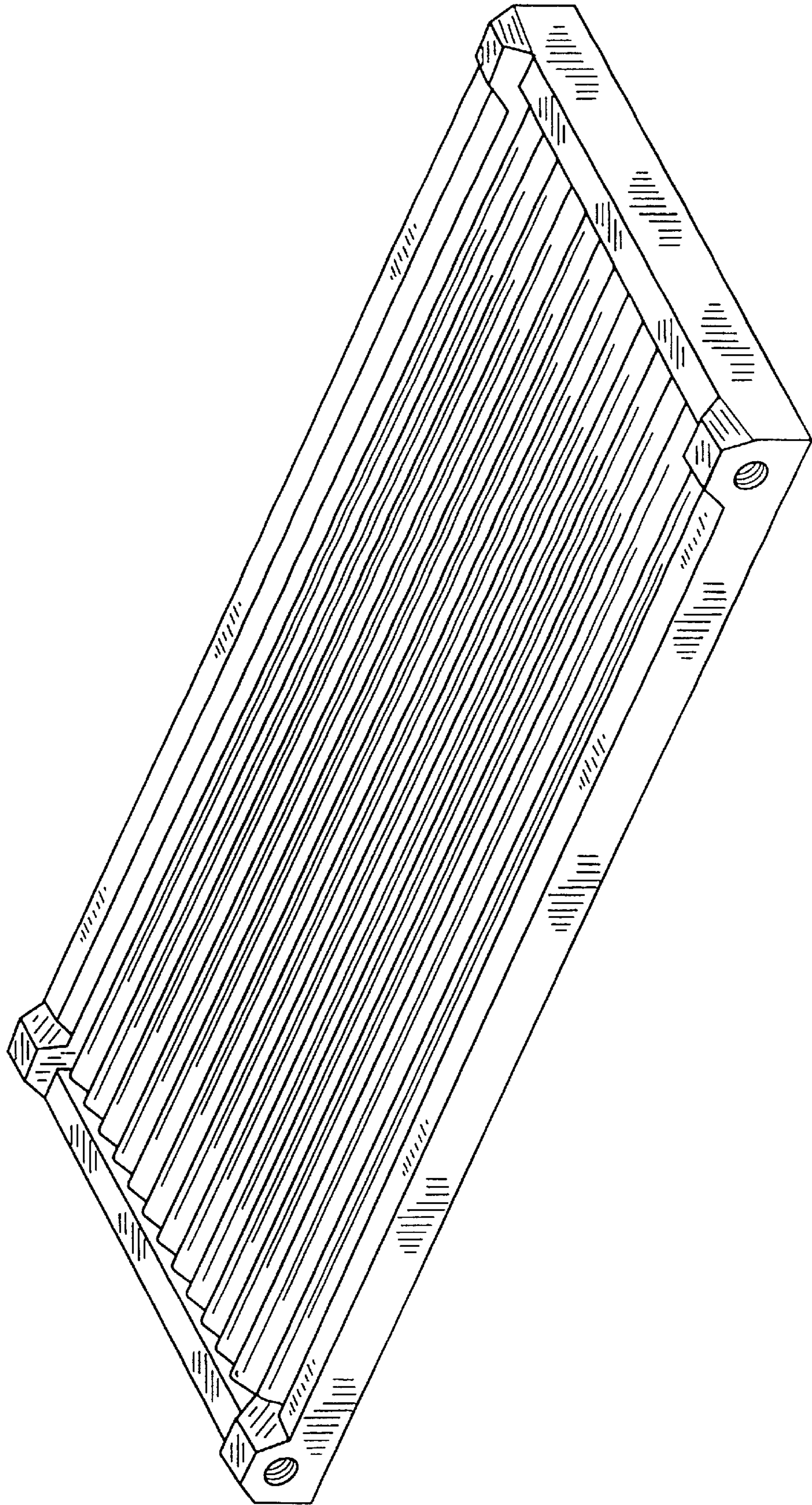


FIG. 1



FIG. 2



FIG. 3

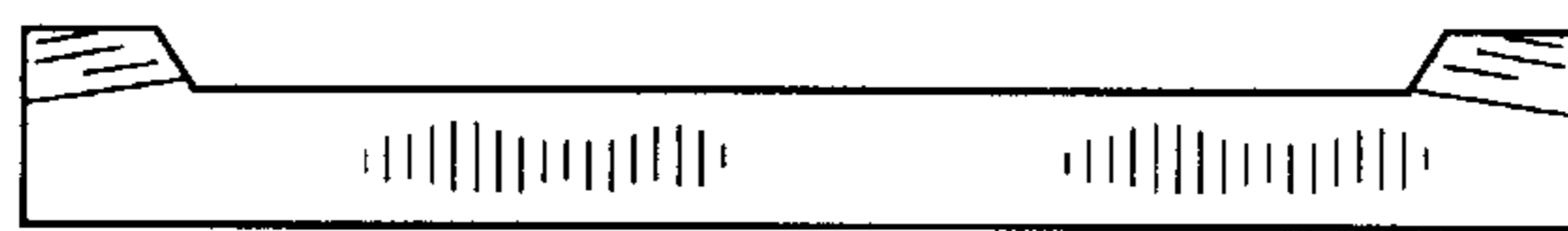


FIG. 4



FIG. 5

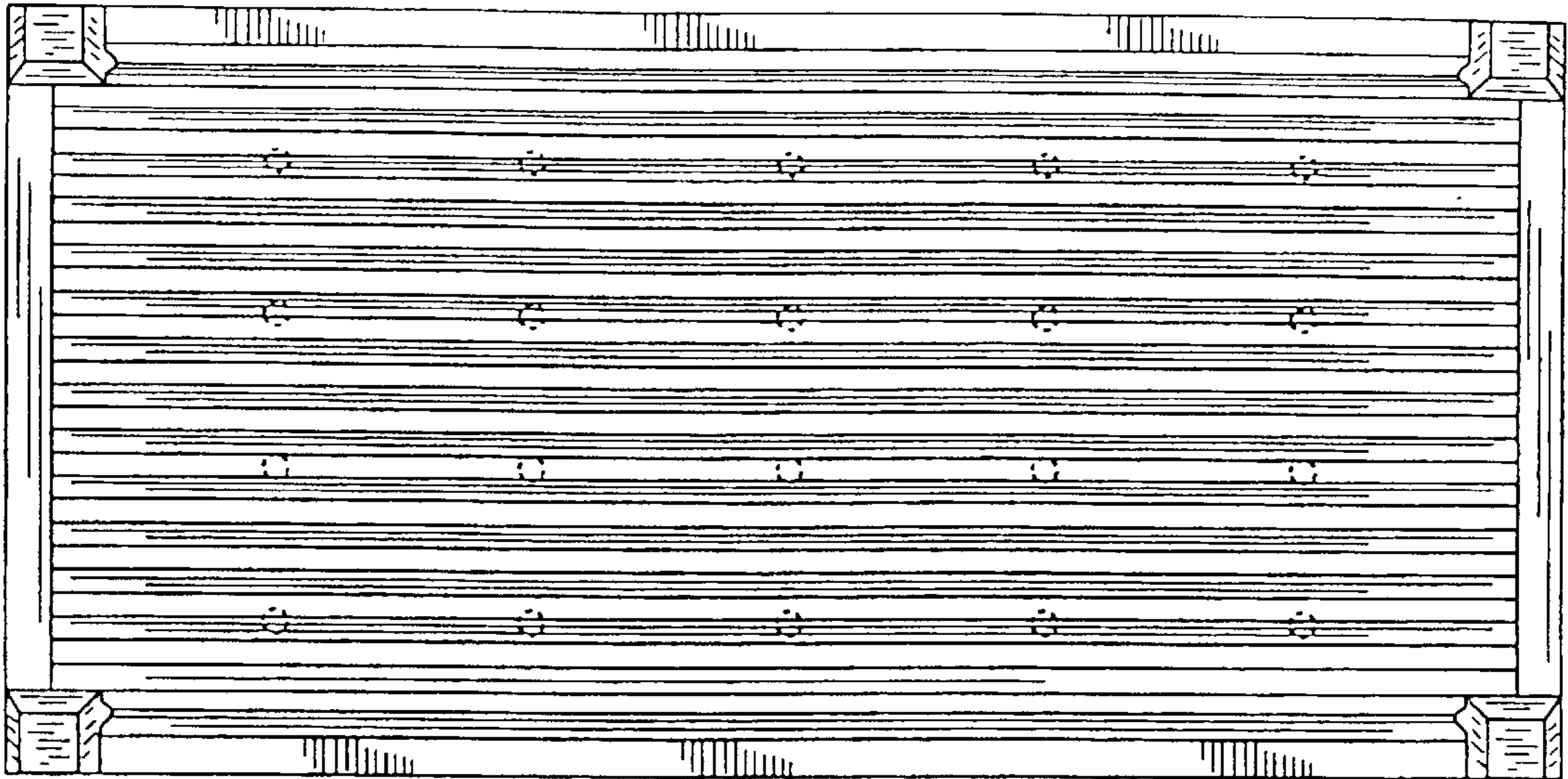


FIG. 6

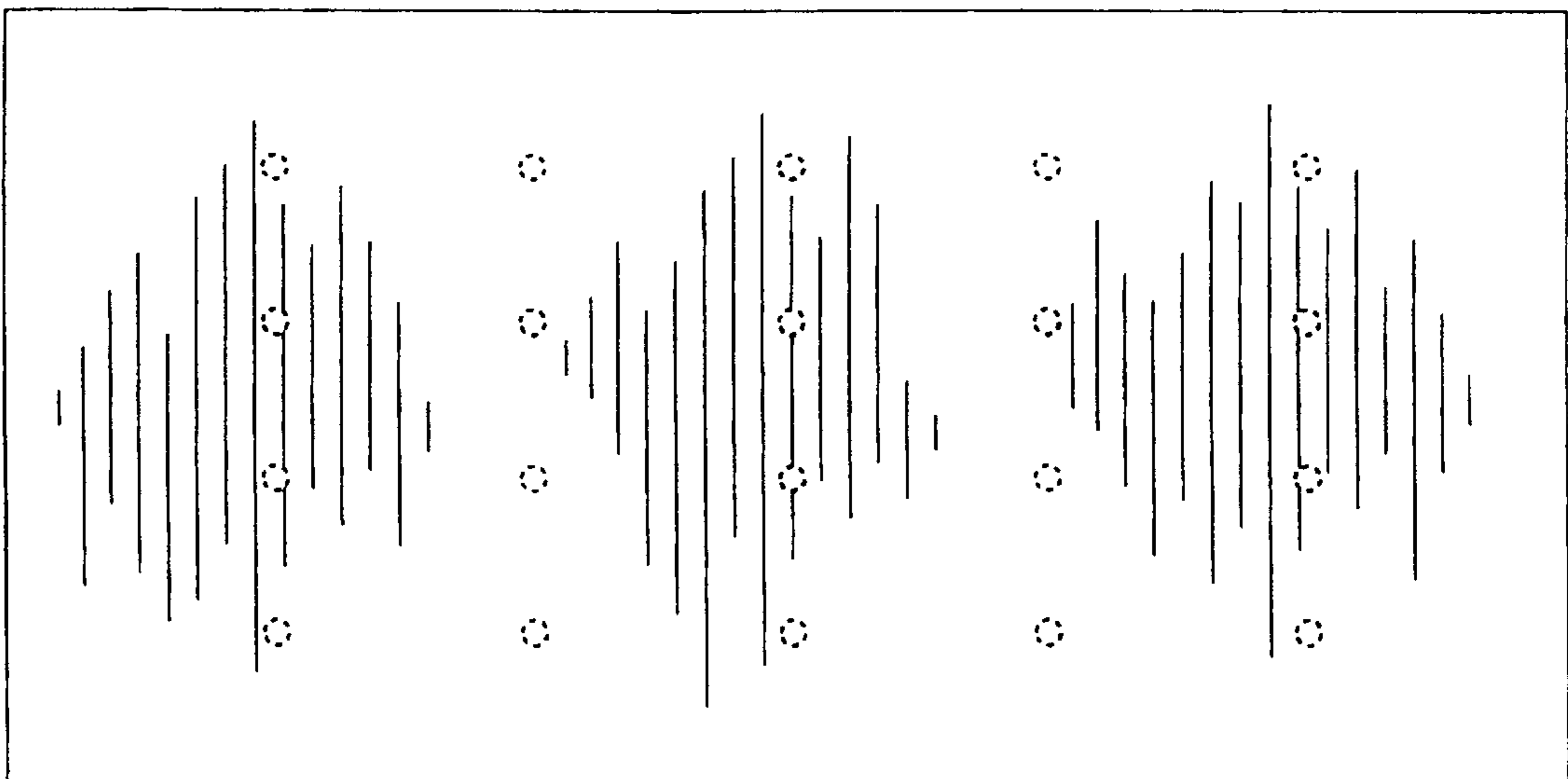


FIG. 7