



US00D448718B1

(12) **United States Design Patent**
Gibbs

(10) **Patent No.:** **US D448,718 S**

(45) **Date of Patent:** **** Oct. 2, 2001**

(54) **BOAT MOORING APPARATUS**

(74) *Attorney, Agent, or Firm*—David O'Reilly

(76) **Inventor:** **Christopher Gibbs, 273 Rossmore Rd.,
Oxnard, CA (US) 93035**

(57) **CLAIM**

The ornamental design for a boat mooring apparatus, as shown and described.

(**) **Term:** **14 Years**

DESCRIPTION

(21) **Appl. No.:** **29/126,246**

FIG. 1 is a top view of a boat mooring apparatus according to the invention.

(22) **Filed:** **Sep. 10, 1999**

FIG. 2 is a side right view of the left side view, being a mirror image thereof.

Related U.S. Application Data

FIG. 3 is a front view thereof.

(63) Continuation-in-part of application No. 29/061,256, filed on Oct. 18, 1996, now abandoned.

FIG. 4 is a bottom view thereof.

(51) **LOC (7) Cl.** **12-06**

FIG. 5 is a rear view thereof.

(52) **U.S. Cl.** **D12/317; D12/168**

FIG. 6 is a top view of a second embodiment of the boat mooring apparatus.

(58) **Field of Search** D12/300, 167,
D12/168; 114/230.1, 230.13, 230.14, 230.11,
230.12, 231

FIG. 7 is an enlarged isometric partial section clearly showing the details of the connection taken at 7 of FIG. 1.

FIG. 8 is an enlarged isometric view clearly showing the connection taken at 8 of FIG. 1.

FIG. 9 is an enlarged isometric view clearly showing the connection taken at 9 of FIG. 1.

FIG. 10 is an enlarged isometric view clearly showing the connection taken at 10 of FIG. 1; and,

FIG. 11 is an enlarged isometric view clearly showing the connection taken at 11 of FIG. 1.

The broken lines shown in FIGS. 2 and 7 are for illustrative purposes only and form no part of the claimed design.

(56) **References Cited**

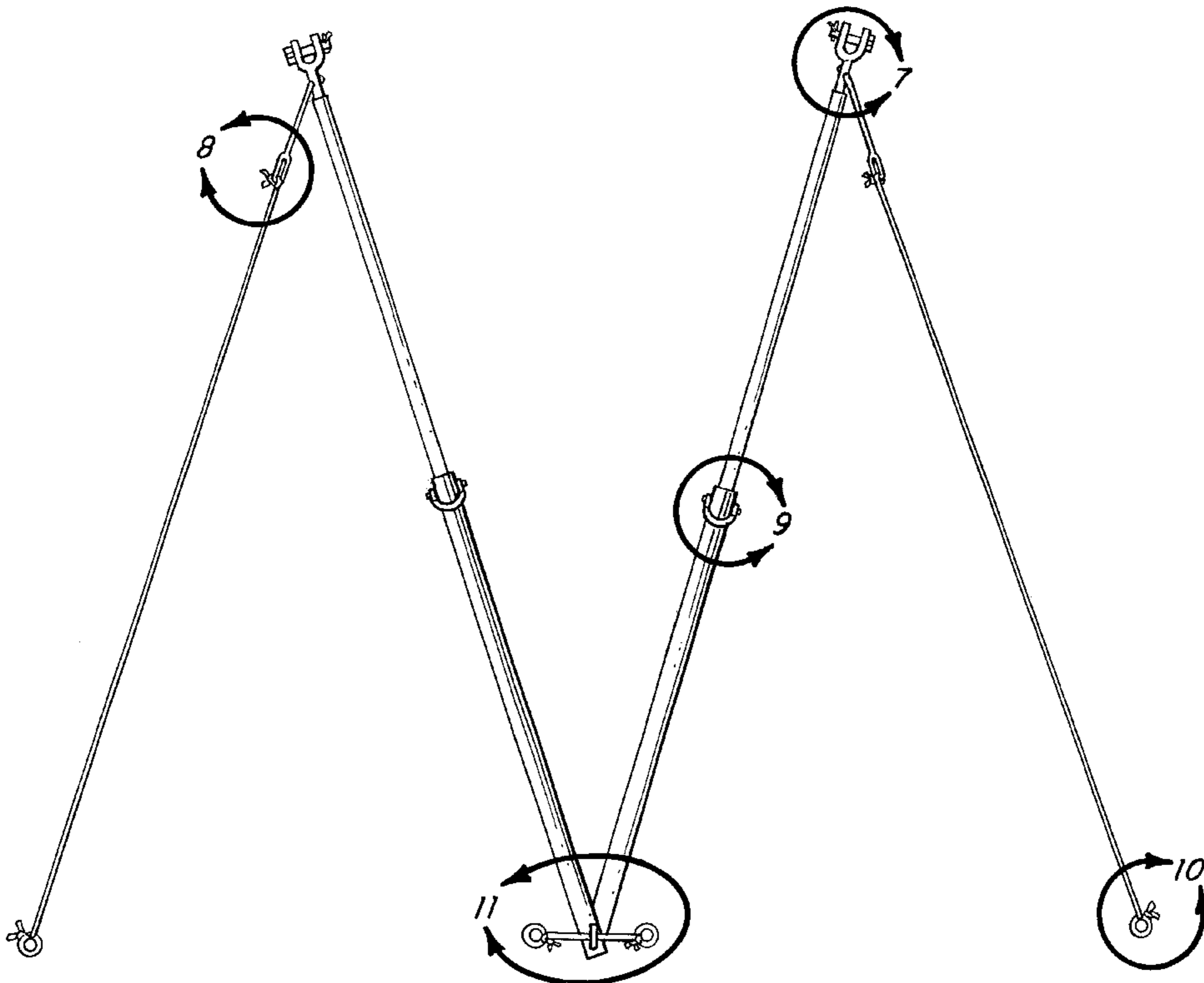
U.S. PATENT DOCUMENTS

4,088,089	*	5/1978	Flory	114/230.1
4,193,368	*	3/1980	DeGraaf et al.	114/230.1
4,351,260	*	9/1982	Tuson et al.	114/230.1
4,458,620	*	7/1984	Binghan	114/230.14
4,726,313	*	2/1988	Neal	114/230.1

* cited by examiner

Primary Examiner—Kay H. Chin

1 Claim, 7 Drawing Sheets



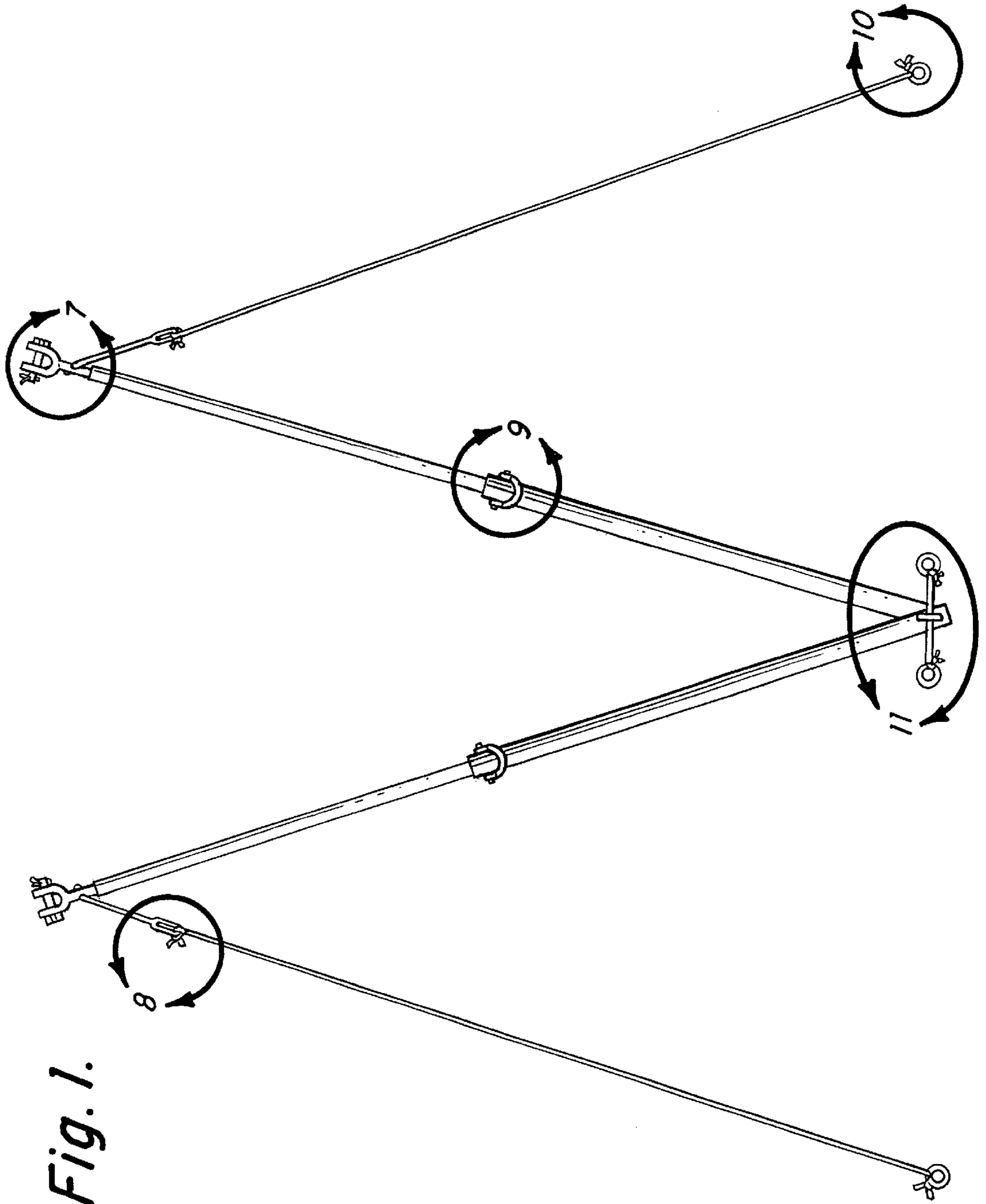


Fig. 1.

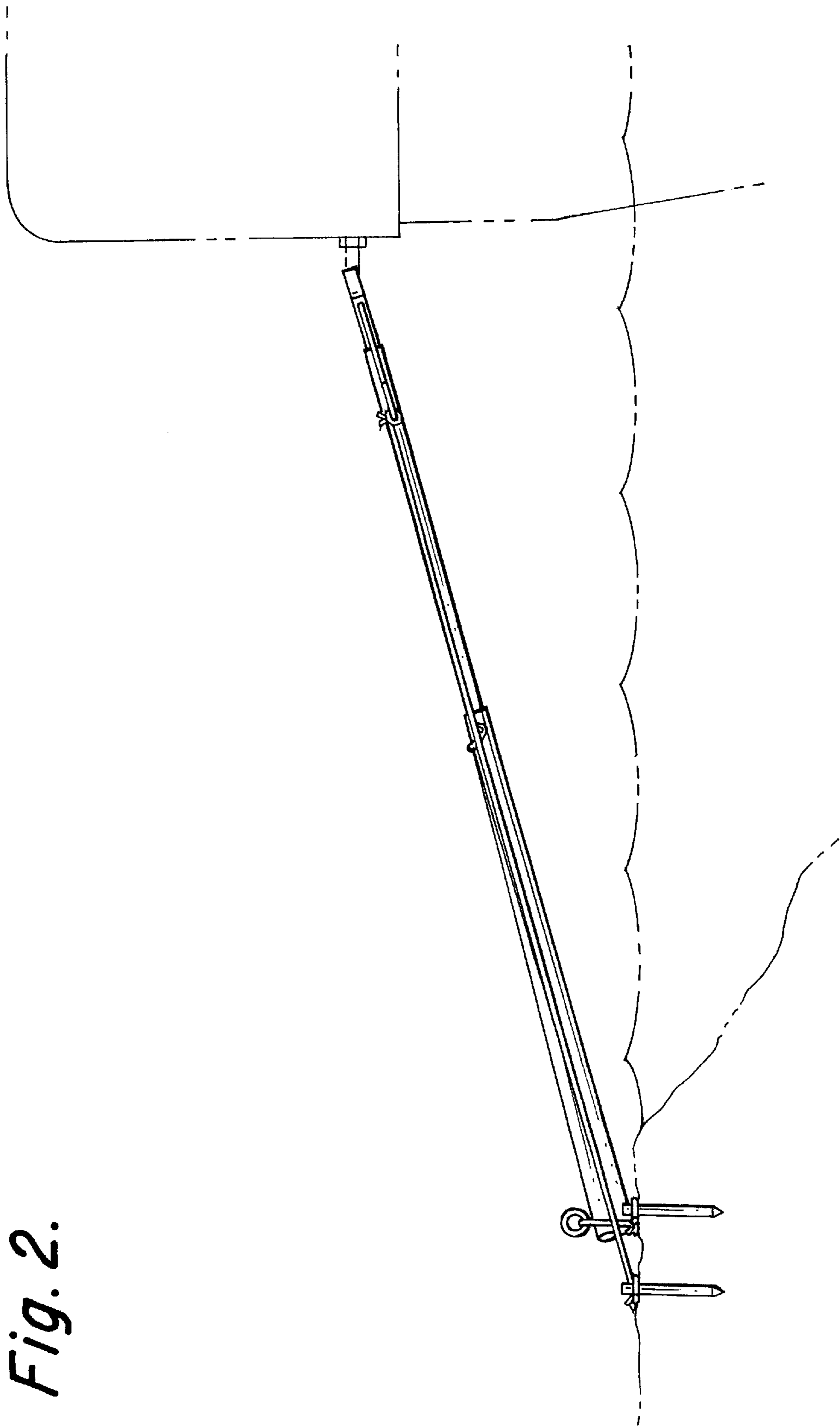


Fig. 2.

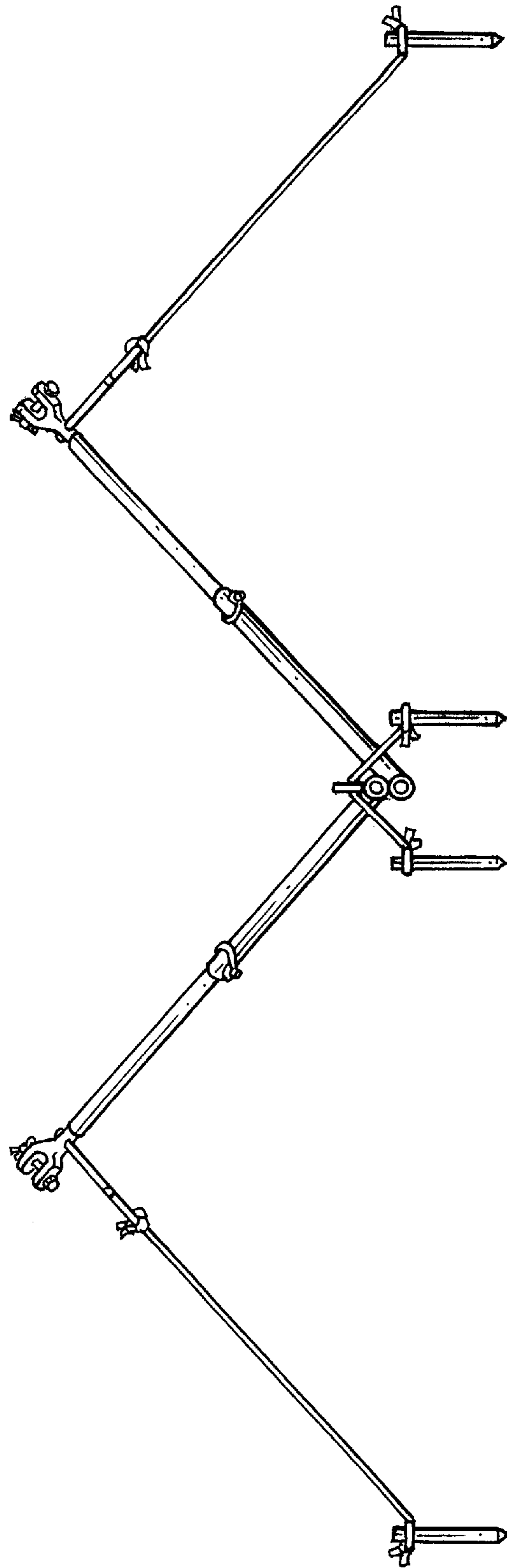


Fig. 3.

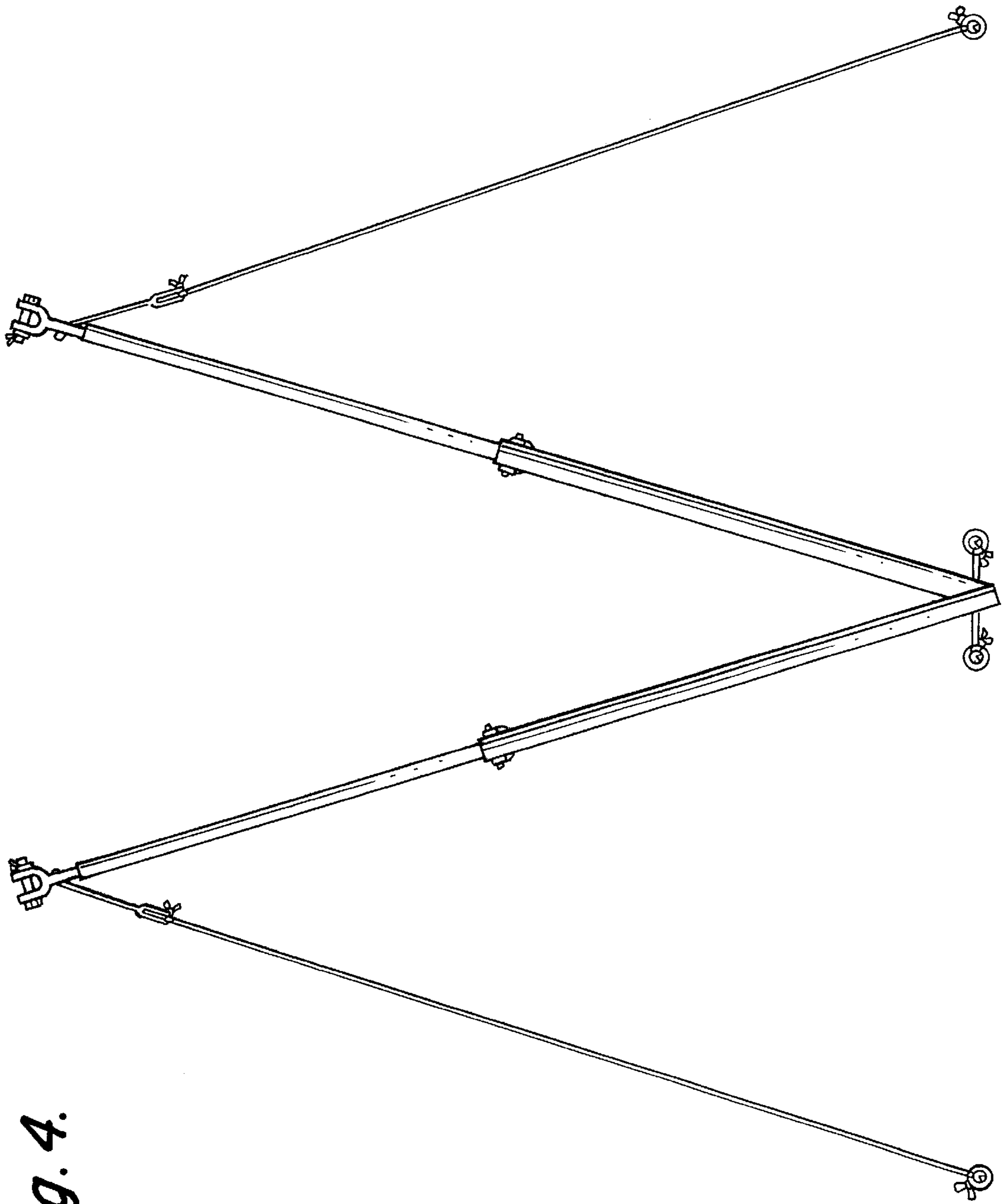


Fig. 4.

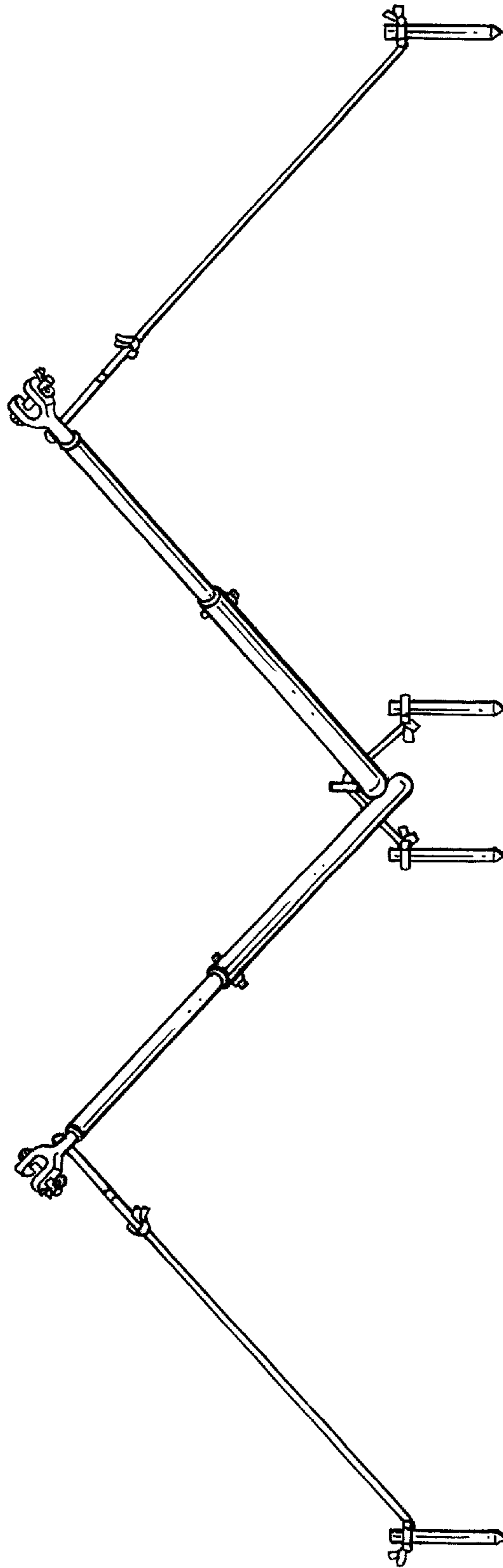


Fig. 5.

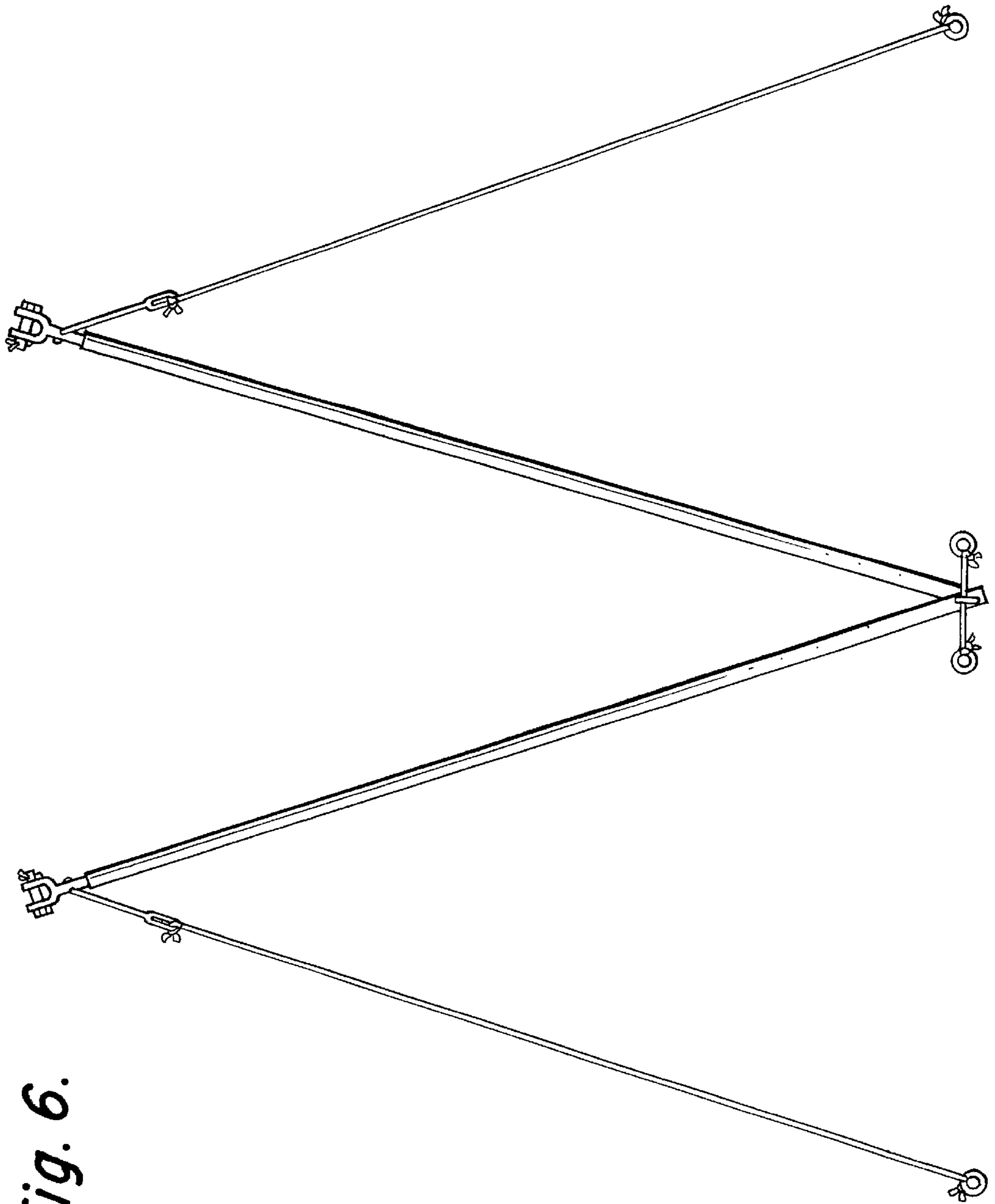


Fig. 6.

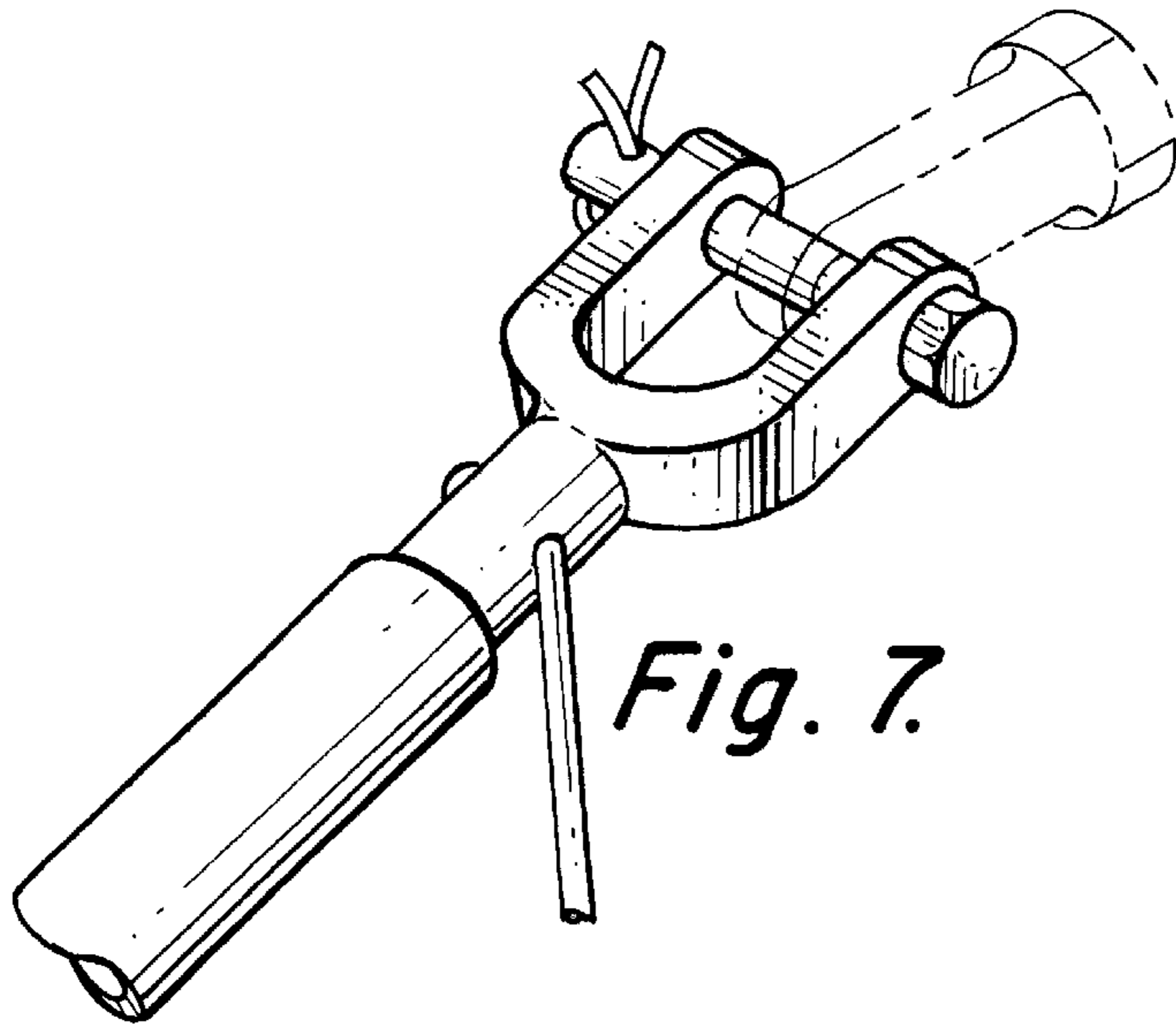


Fig. 7.

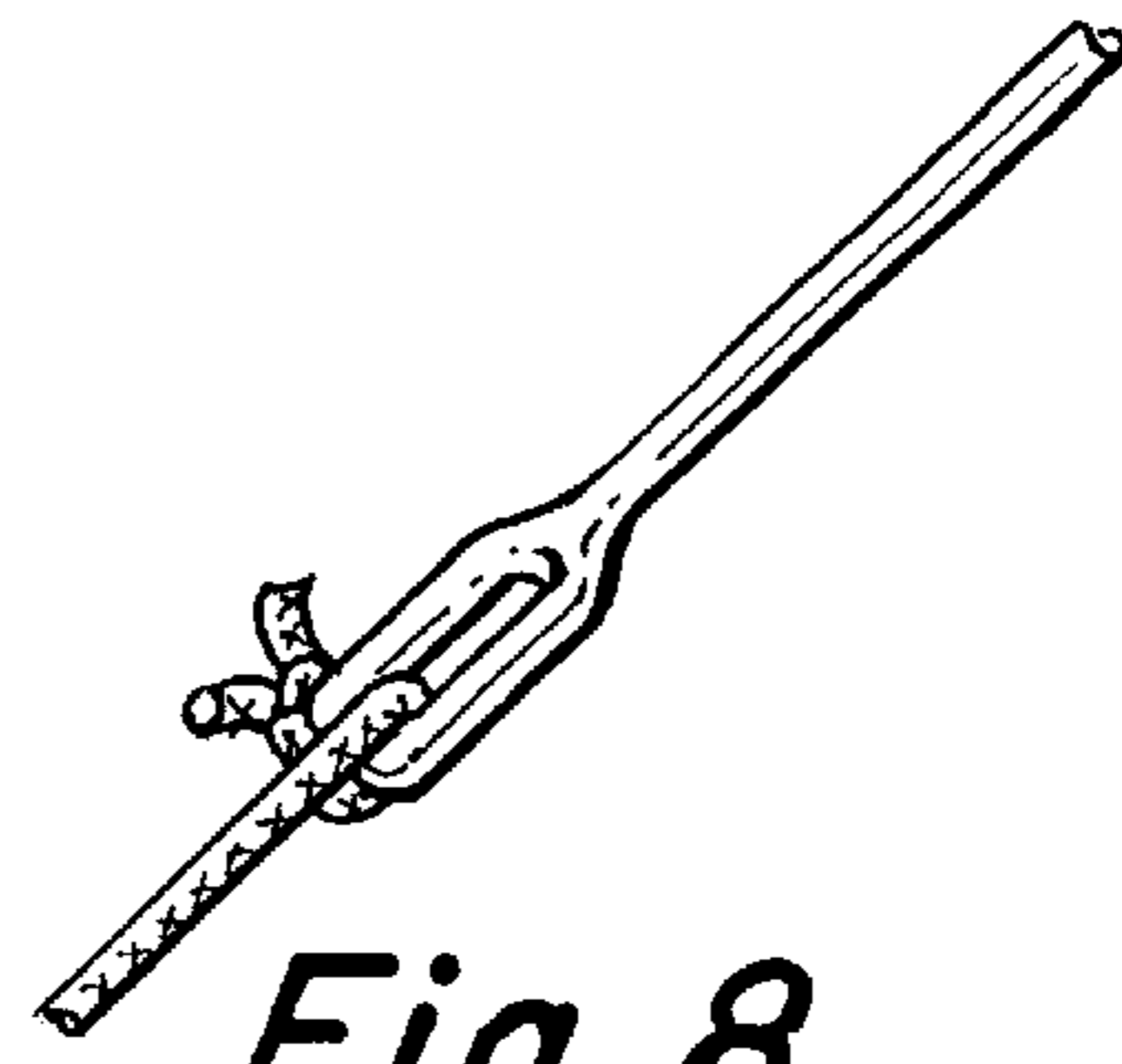


Fig. 8.

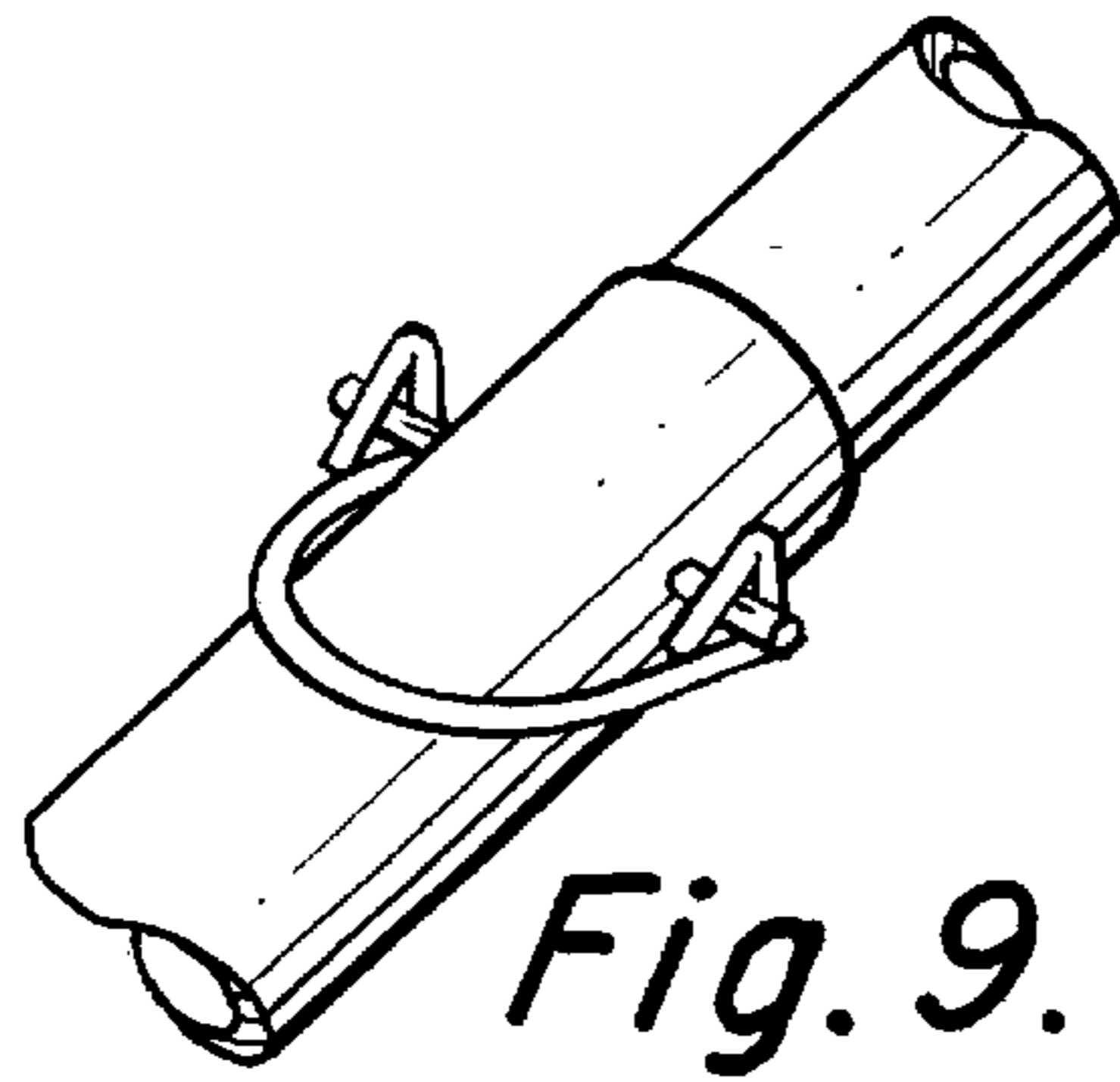


Fig. 9.

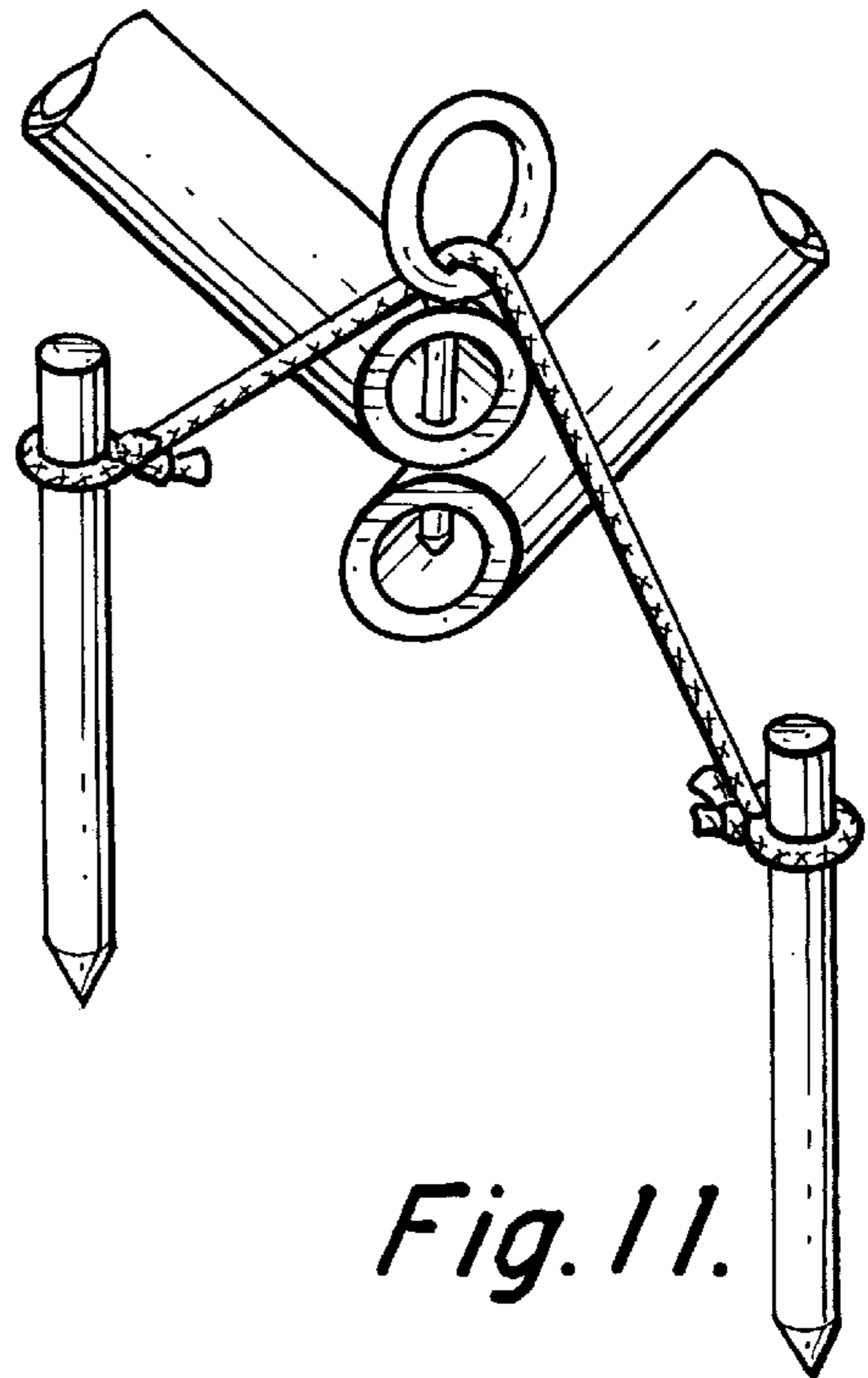


Fig. 11.

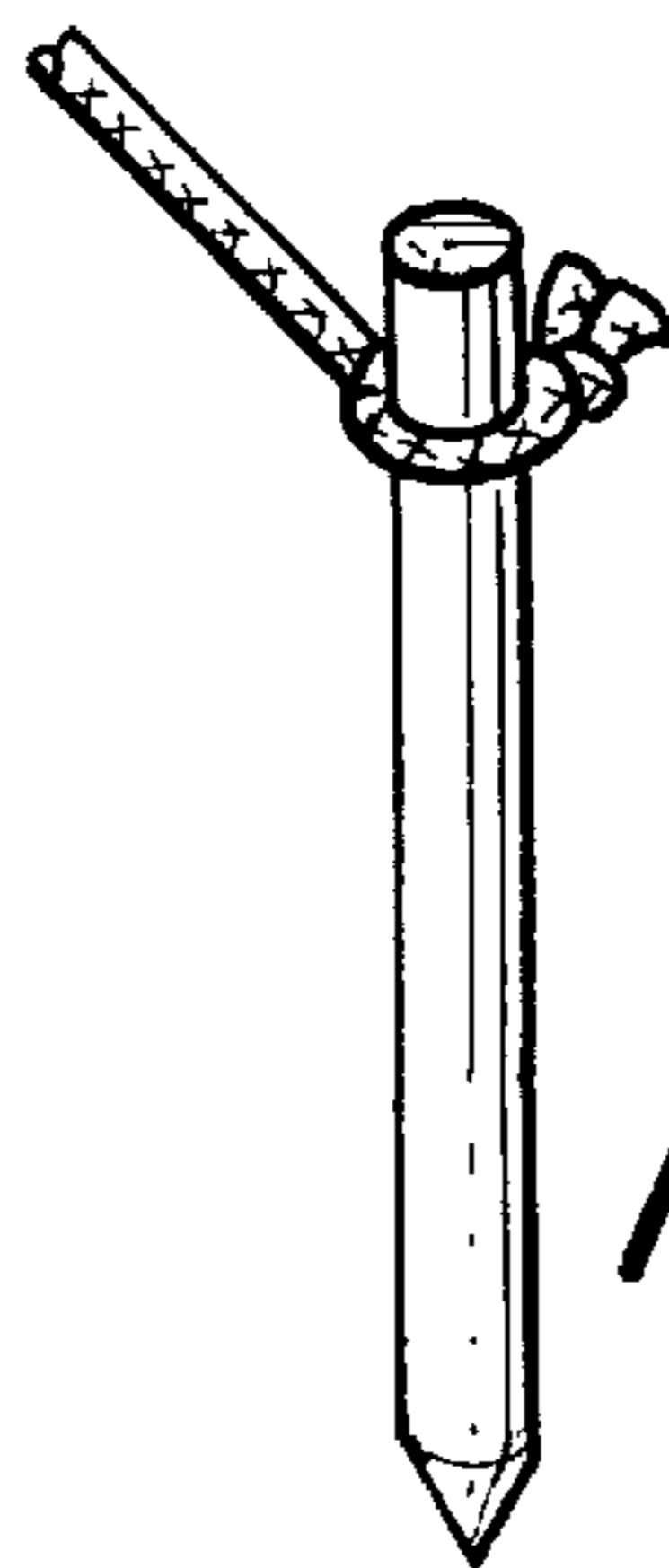


Fig. 10.