



US00D448717B1

(12) **United States Design Patent**
Hanson et al.

(10) **Patent No.:** **US D448,717 S**

(45) **Date of Patent:** **** Oct. 2, 2001**

(54) **ACCESSORY PORT ADAPTOR WITH FLAT PLATE MOUNT**

4,950,010 8/1990 Denny .
5,460,304 10/1995 Porter et al. .
5,476,279 12/1995 Klemetsen .
5,620,198 4/1997 Borchers .

(75) Inventors: **Marvin L. Hanson**, Vandalia, MI (US);
Thomas W. Lindenman, South Bend;
Richard W. McCoy, Granger, both of
IN (US)

OTHER PUBLICATIONS

U.S. Provisional application, No. 60/212,041 filed Jun. 16,
2000, entitled "Dual Accessory Port Adaptor" by Marvin L.
Hanson et al.

(73) Assignee: **Reese Products, Inc.**, Elkhart, IN (US)

(**) Term: **14 Years**

* cited by examiner

(21) Appl. No.: **29/133,006**

Primary Examiner—Melody N. Brown

(22) Filed: **Nov. 20, 2000**

(74) *Attorney, Agent, or Firm*—King & Schickli, PLLC

(51) **LOC (7) Cl.** **12-06**

(52) **U.S. Cl.** **D12/223; D12/162**

(58) **Field of Search** D12/223, 162;
D8/349, 373, 380, 354; 224/521; 280/416.1,
507, 508, 511, 415.1, 491.1–491.3

(57) **CLAIM**

The ornamental design of an accessory port adaptor with flat
plate mount, as shown and described.

(56) **References Cited**

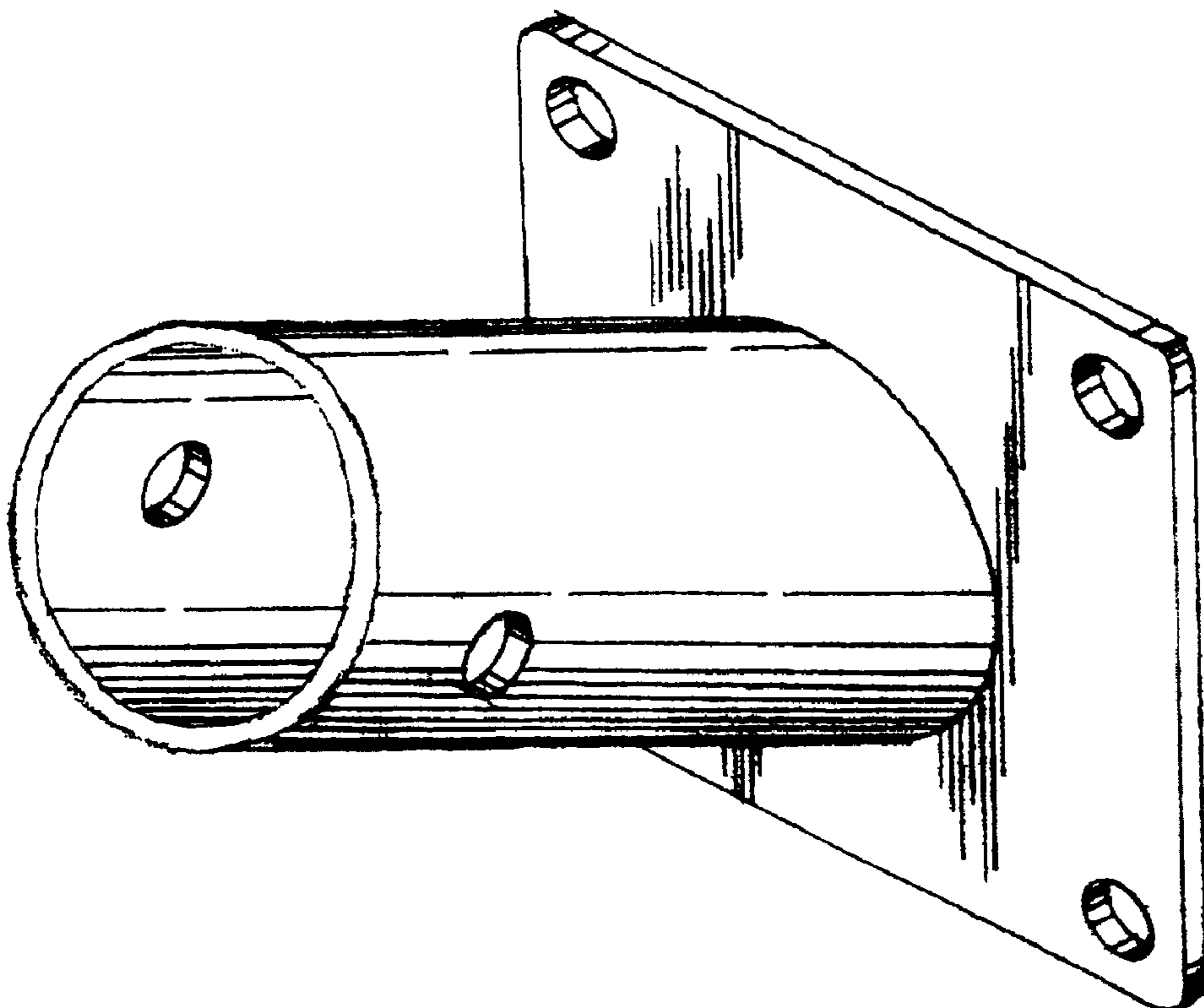
DESCRIPTION

U.S. PATENT DOCUMENTS

D. 369,580 * 5/1996 Hartwig D12/162
4,159,833 7/1979 Meiners .
4,204,702 5/1980 Oltrogge .
4,318,501 3/1982 Graber .
4,326,730 4/1982 Tomen .
4,915,276 4/1990 Devito .

FIG. 1 is a perspective view of the accessory port adaptor
with flat plate mount of the present invention;
FIG. 2 is a front elevational view thereof;
FIG. 3 is a rear elevational view thereof;
FIG. 4 is a right side elevational view, the left side eleva-
tional view being a substantial mirror image thereof;
FIG. 5 is a top plan view thereof; and,
FIG. 6 is a bottom plan view thereof.

1 Claim, 2 Drawing Sheets



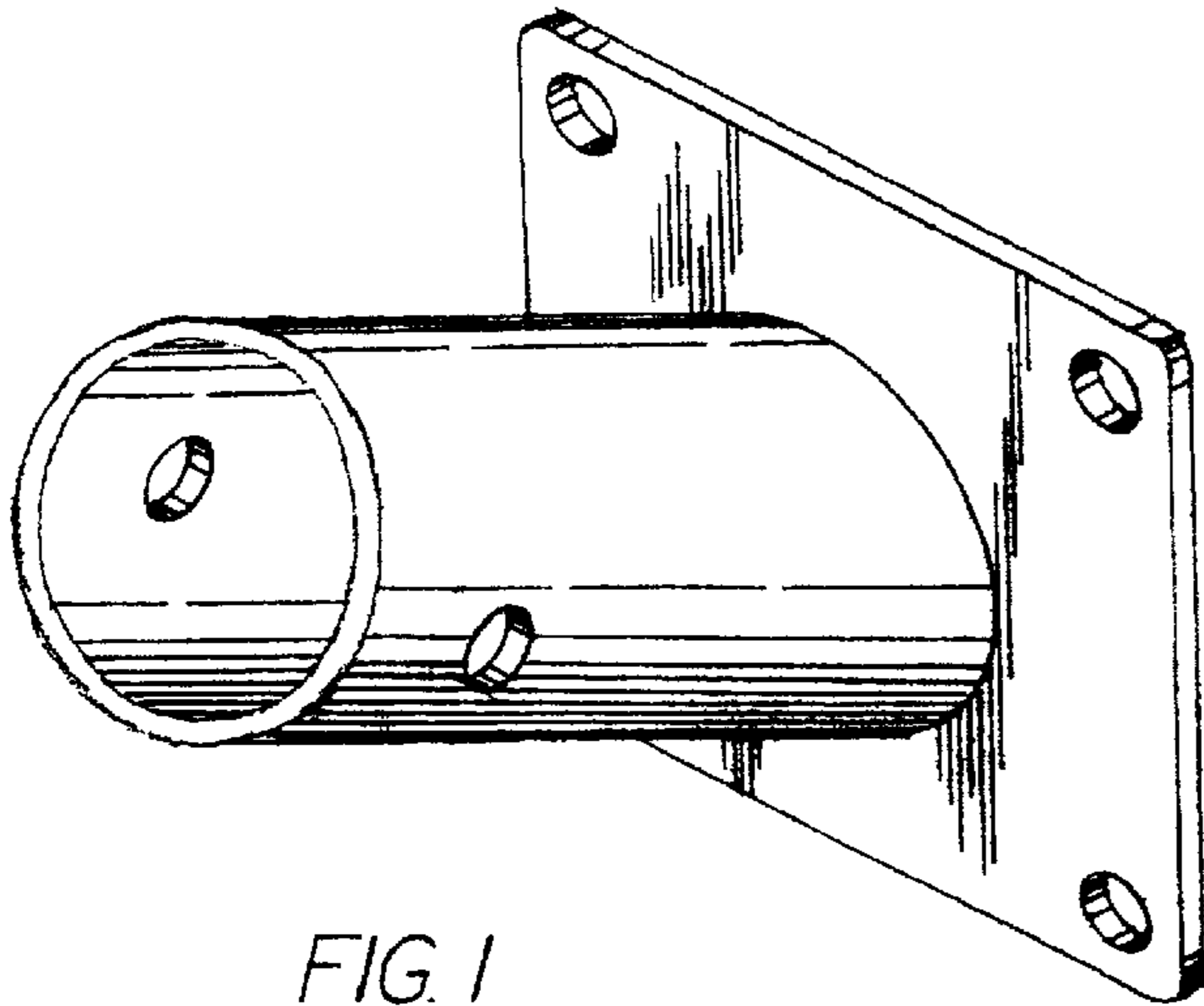


FIG. 1

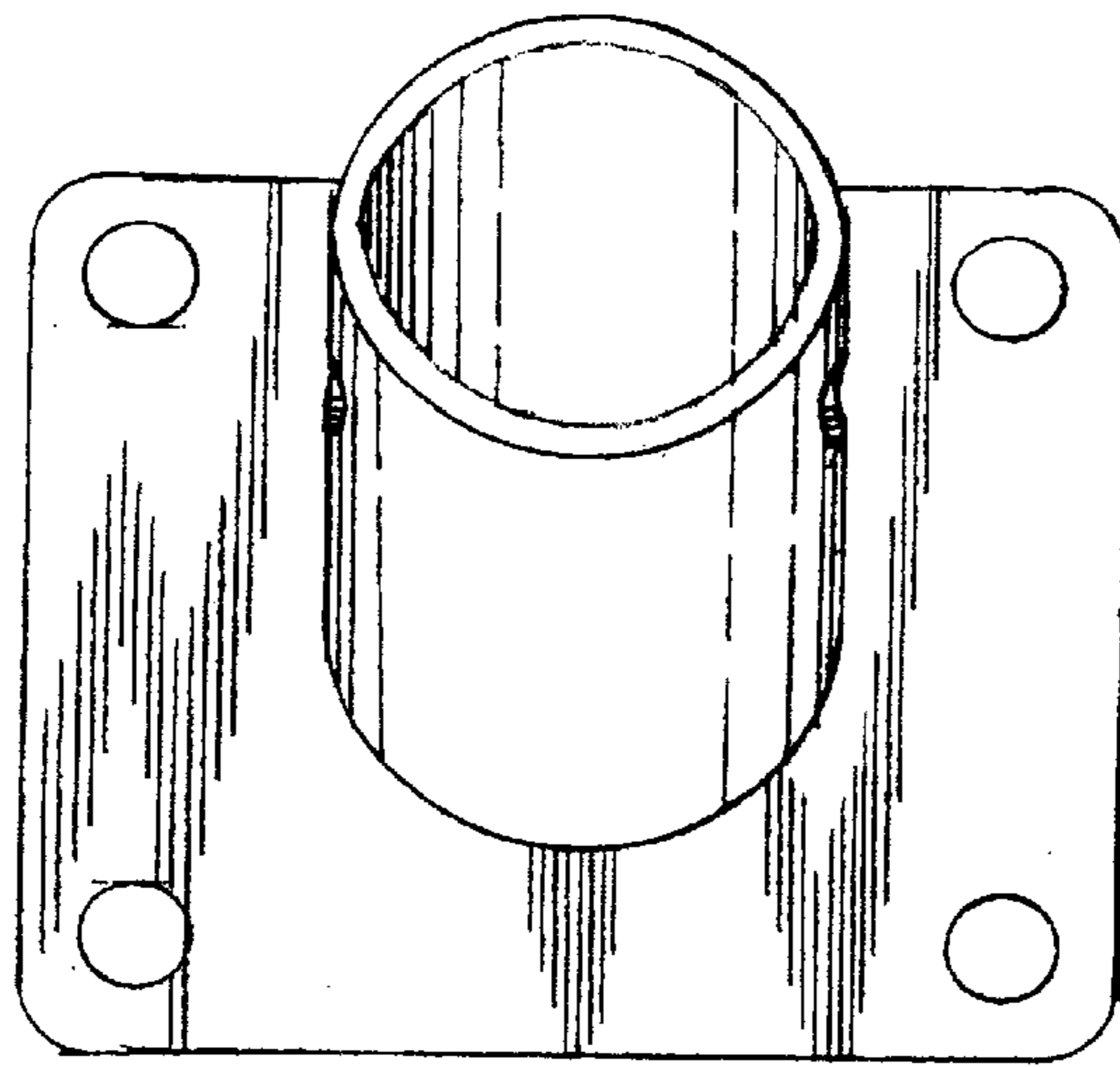


FIG. 2

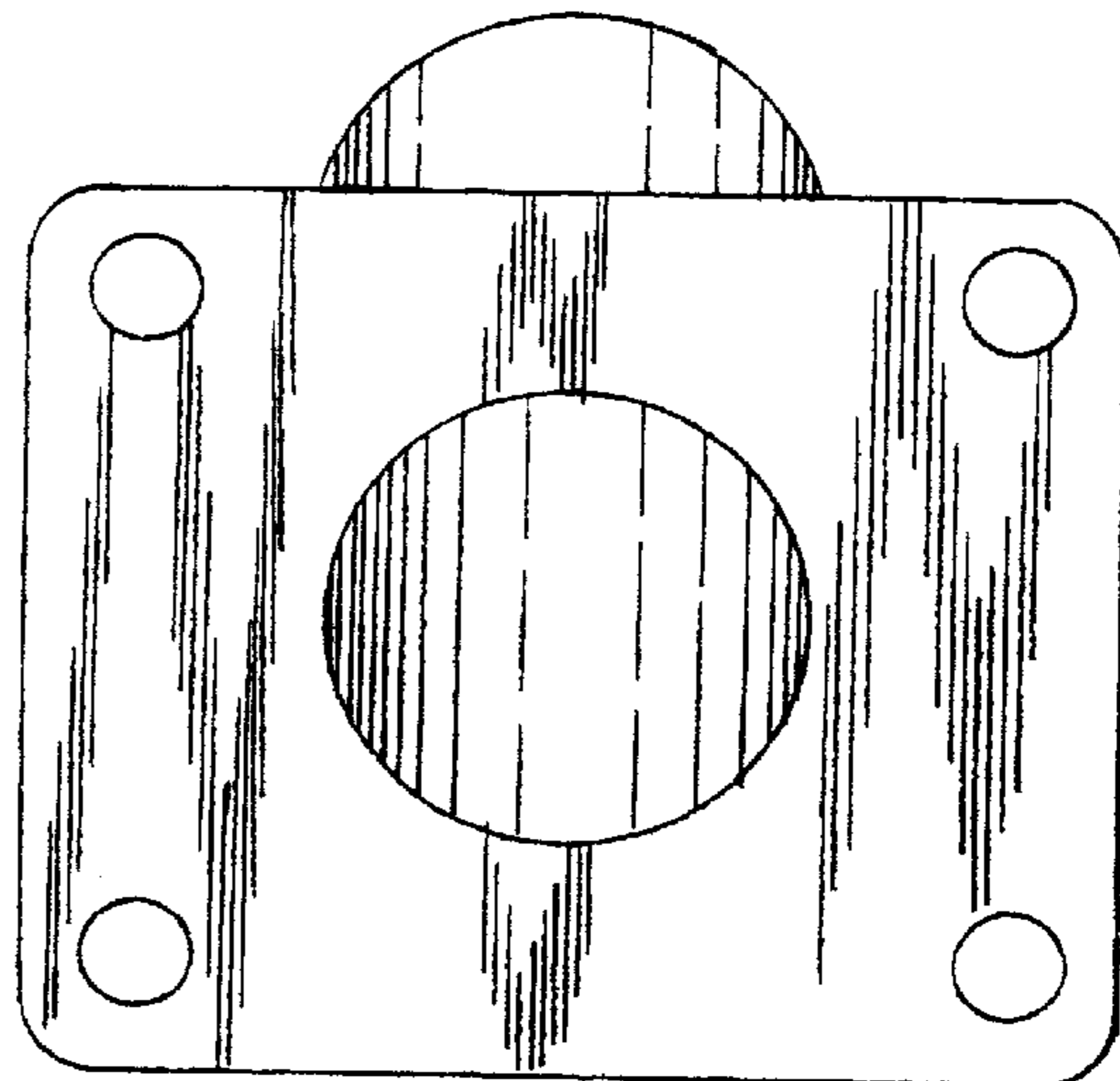


FIG. 3

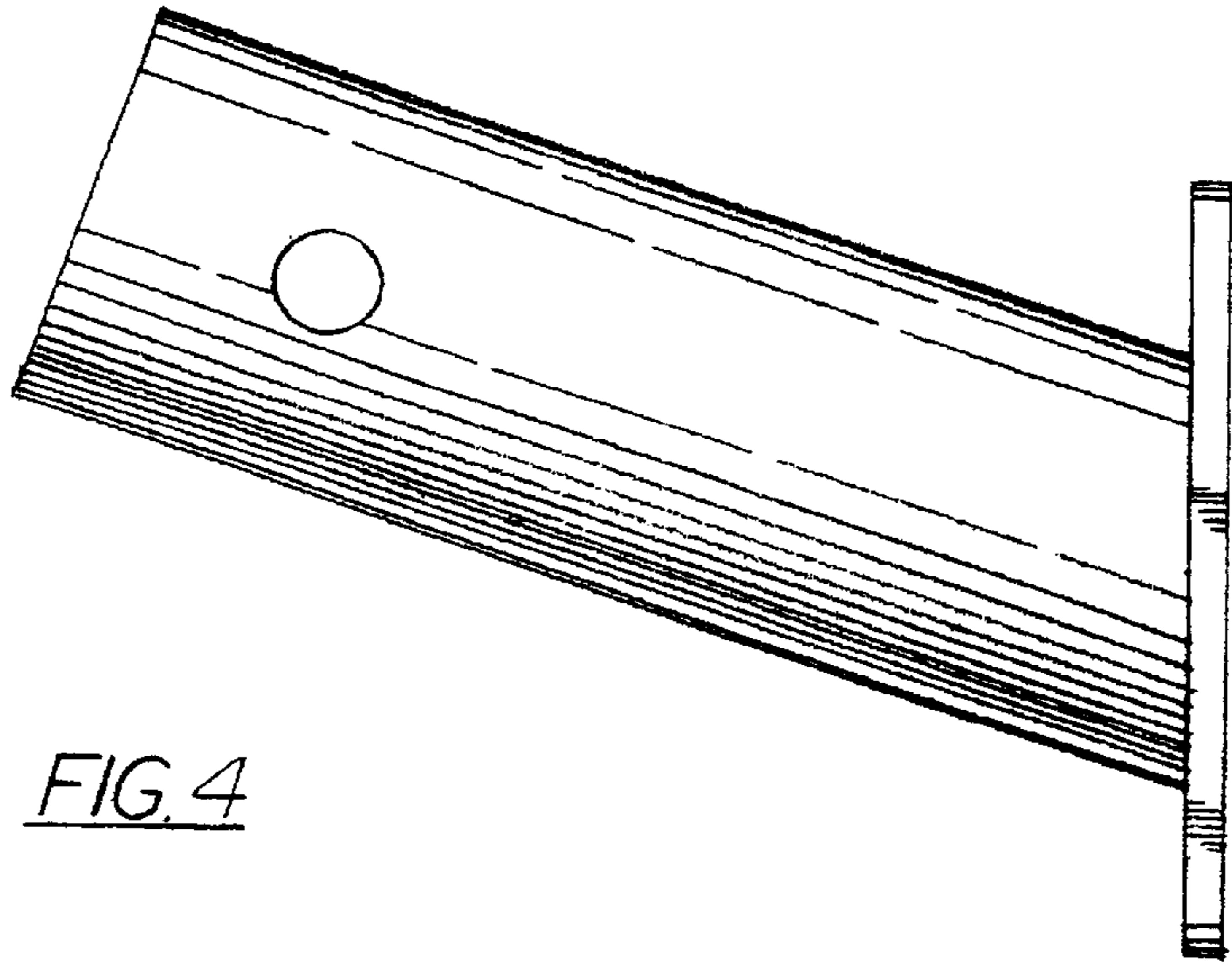


FIG. 4

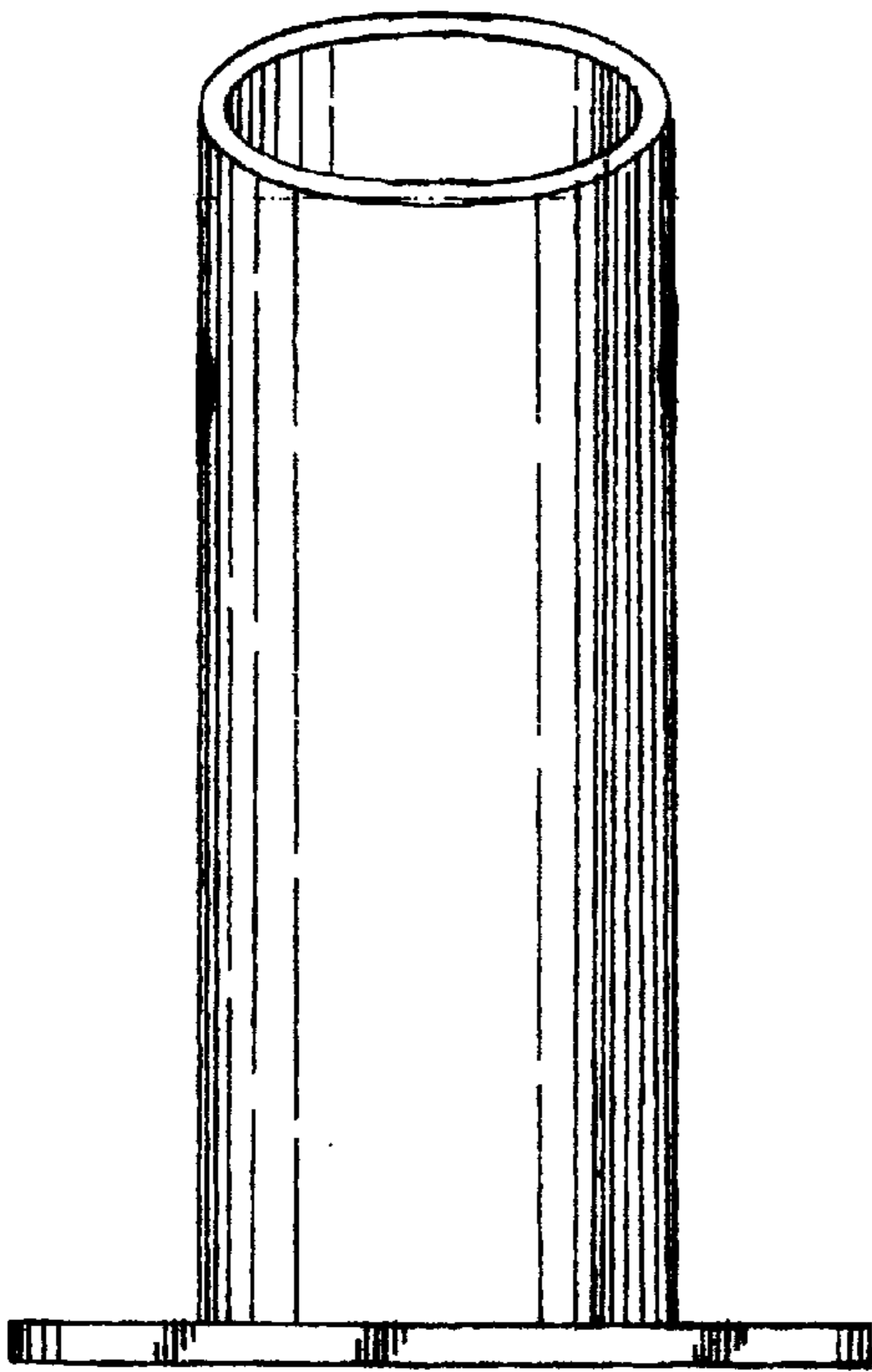


FIG. 5

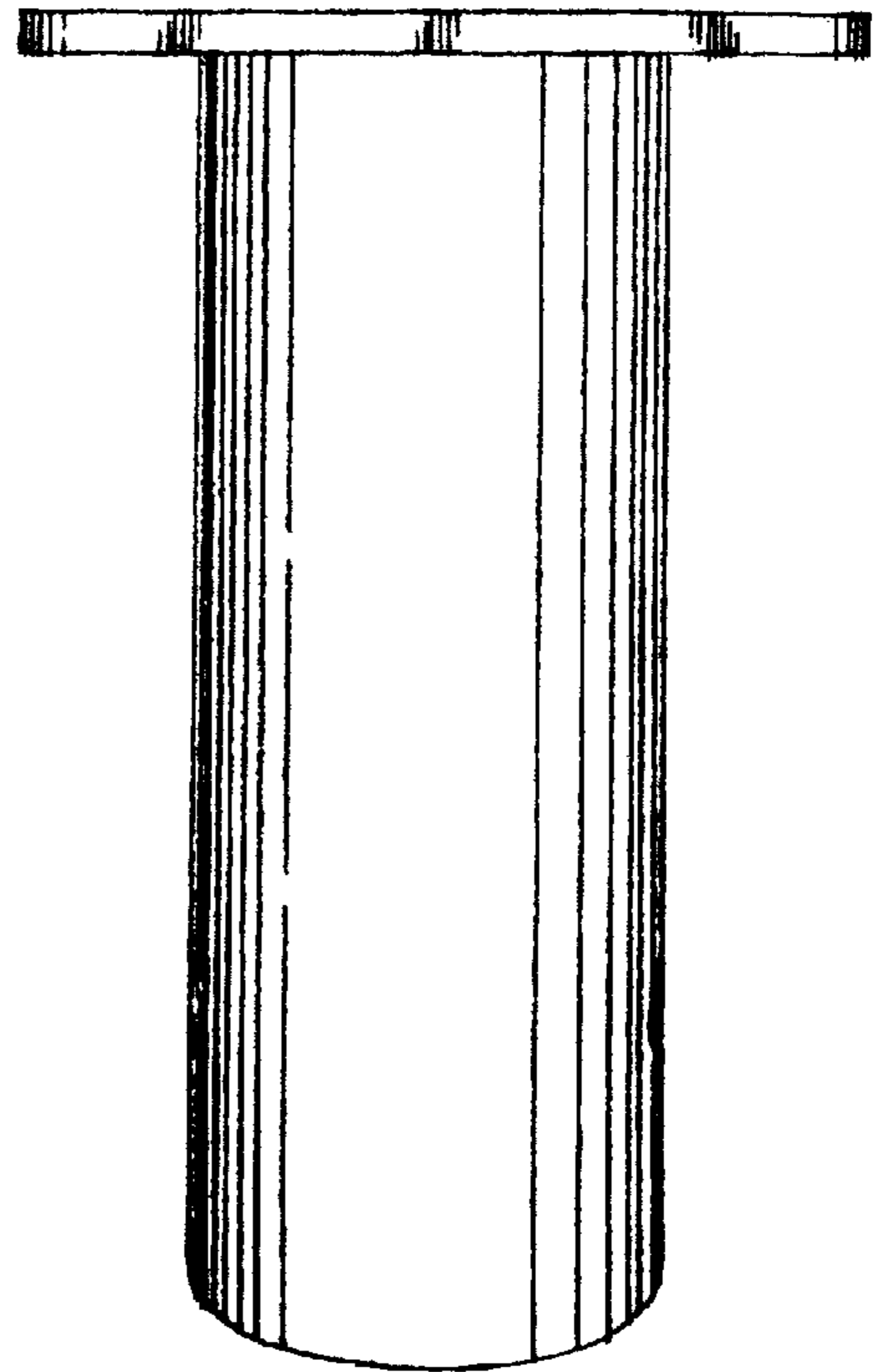


FIG. 6