



US00D448716B1

(12) **United States Design Patent**
Ong

(10) **Patent No.:** **US D448,716 S**

(45) **Date of Patent:** **** Oct. 2, 2001**

(54) **FRONT FACE OF A WHEEL**

(76) **Inventor:** **Boon H. Ong**, Tristar Global Inc.,
21003 Commerce Pointe Dr., Walnut,
CA (US) 91789

(**) **Term:** **14 Years**

(21) **Appl. No.:** **29/137,632**

(22) **Filed:** **Feb. 27, 2001**

(51) **LOC (7) Cl.** **12-16**

(52) **U.S. Cl.** **D12/211**

(58) **Field of Search** D12/204-211;
301/37.1, 64.1, 65

D. 430,095	*	8/2000	Lotson	D12/211
D. 431,517		10/2000	Donikoglu	D12/209
D. 433,373	*	11/2000	Hussaini et al.	D12/209
D. 435,823	*	1/2001	Fitzgerald	D12/211
D. 436,574	*	1/2001	Tunstill	D12/211
D. 438,158	*	2/2001	Fitzgerald	D12/209
D. 438,159	*	2/2001	Kaucher	D12/209
3,250,571		5/1966	Richter	301/65
3,635,529		1/1972	Nass	301/65

* cited by examiner

Primary Examiner—Stacia Cadmus

(74) *Attorney, Agent, or Firm*—Richard C. Litman

(57) **CLAIM**

The ornamental design for a front face of a wheel, as shown and described.

DESCRIPTION

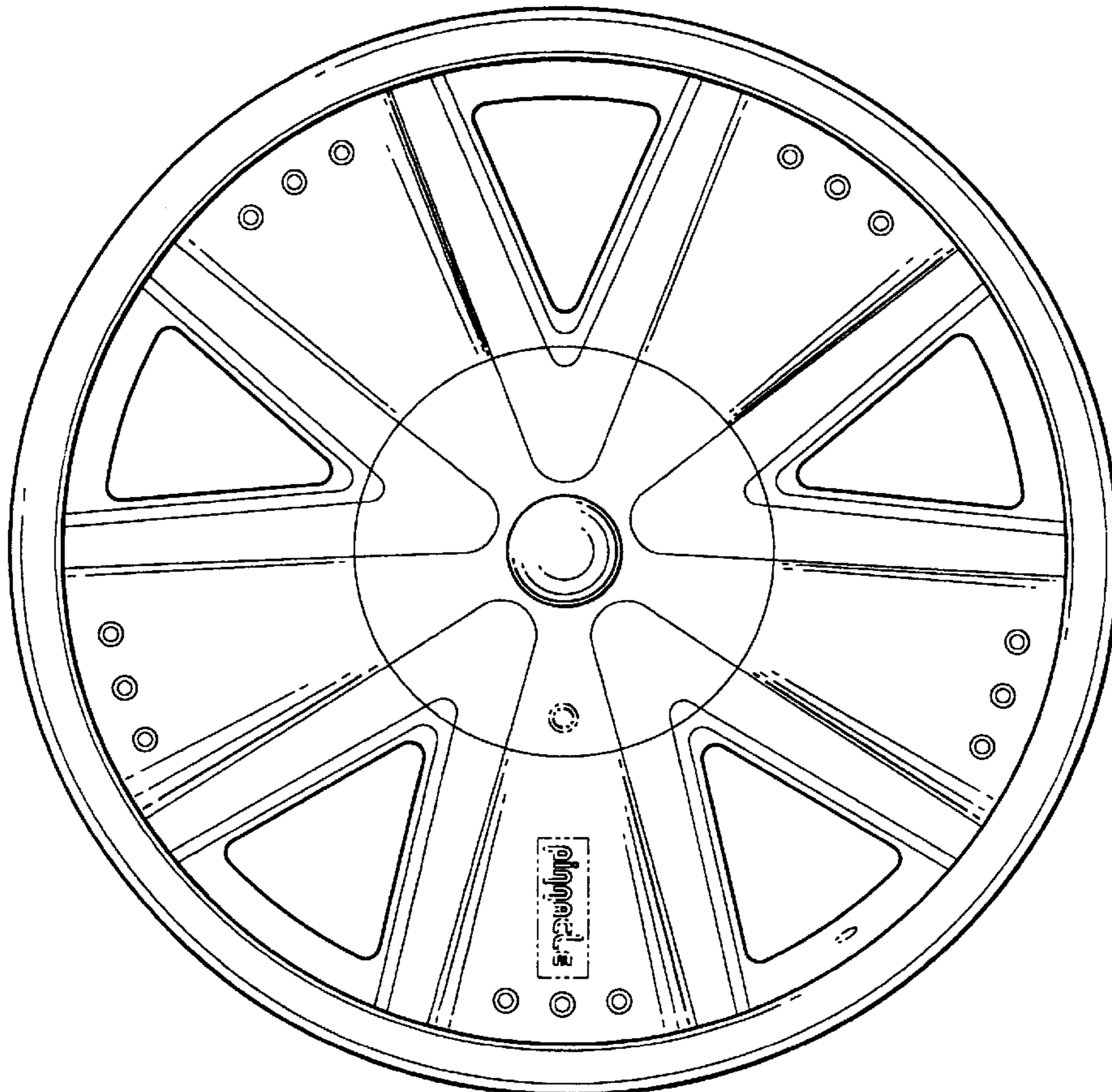
FIG. 1 is an perspective view of a front face of a wheel showing my new design; and, FIG. 2 is a front elevational view thereof. The broken line showing of a portion of a wheel in FIG. 1 and the valve stem and indicia in FIGS. 1 and 2 is for illustrative purposes only and forms no part of the claimed design.

1 Claim, 2 Drawing Sheets

(56) **References Cited**

U.S. PATENT DOCUMENTS

D. 277,661	*	2/1985	Cafaro et al.	D12/211
D. 292,201	*	10/1987	Reid	D12/211
D. 342,714		12/1993	Nikawa	D12/211
D. 391,913		3/1998	Chung	D12/209
D. 409,553	*	3/1999	Neeper	D12/211
D. 413,852	*	9/1999	Cullen	D12/209
D. 421,590		3/2000	Sacco	D12/209
D. 428,592		7/2000	Melegari et al.	D12/209
D. 428,594		7/2000	Neeper	D12/209



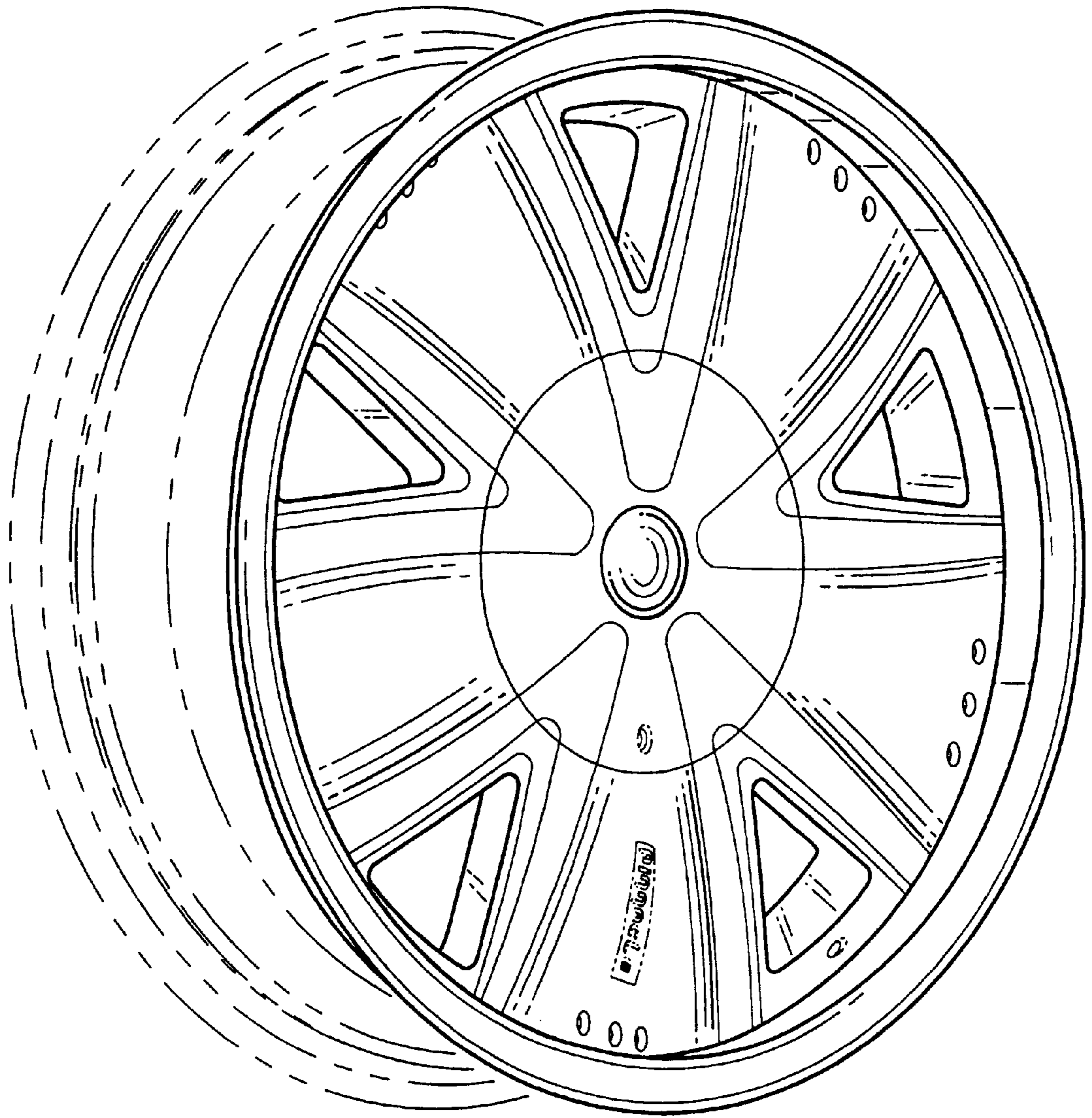


Fig. 1

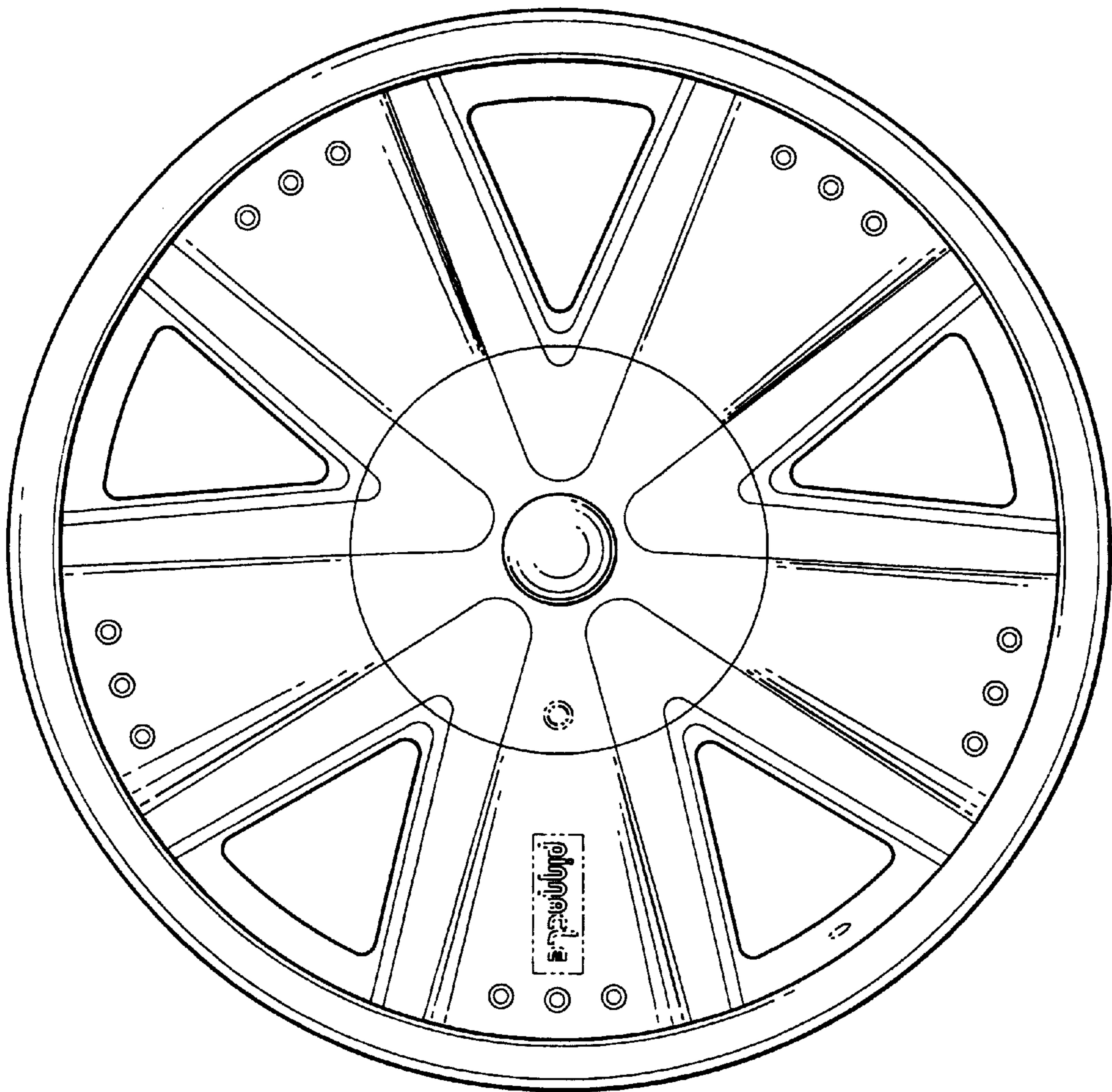


Fig. 2