



US00D448715B1

(12) **United States Design Patent**  
**Hartl**

(10) **Patent No.:** **US D448,715 S**

(45) **Date of Patent:** **\*\* Oct. 2, 2001**

(54) **AUTOMOTIVE WHEEL**

(75) **Inventor:** **Joshua Hartl**, Davis, CA (US)

(73) **Assignee:** **DM Tech America Inc.**, Cerritos, CA (US)

(\*\*) **Term:** **14 Years**

(21) **Appl. No.:** **29/135,873**

(22) **Filed:** **Jan. 22, 2001**

(51) **LOC (7) Cl.** ..... **12-16**

(52) **U.S. Cl.** ..... **D12/211**

(58) **Field of Search** ..... D12/204-211;  
301/37.1, 64.1, 65

(56) **References Cited**

**U.S. PATENT DOCUMENTS**

D. 233,744	*	11/1974	Wiener	.....	D12/209
D. 255,233	*	6/1980	Watanabe	.....	D12/209
D. 277,661	*	2/1985	Cafaro et al.	.....	D12/211
D. 316,073	*	4/1991	Koch	.....	D12/211
D. 335,859	*	5/1993	Mattin	.....	D12/211

D. 396,839	*	8/1998	Cullen	.....	D12/211
D. 419,517	*	1/2000	Sacco et al.	.....	D12/211
D. 423,446	*	4/2000	Chung	.....	D12/211
D. 432,479	*	10/2000	Lee et al.	.....	D12/209
D. 432,972	*	10/2000	Chung	.....	D12/209
D. 438,165	*	2/2001	Echazabal	.....	D12/211

\* cited by examiner

*Primary Examiner*—Stacia Cadmus

(74) *Attorney, Agent, or Firm*—G. Donald Weber, Jr.

(57) **CLAIM**

The ornamental design for an automotive wheel, as shown and described.

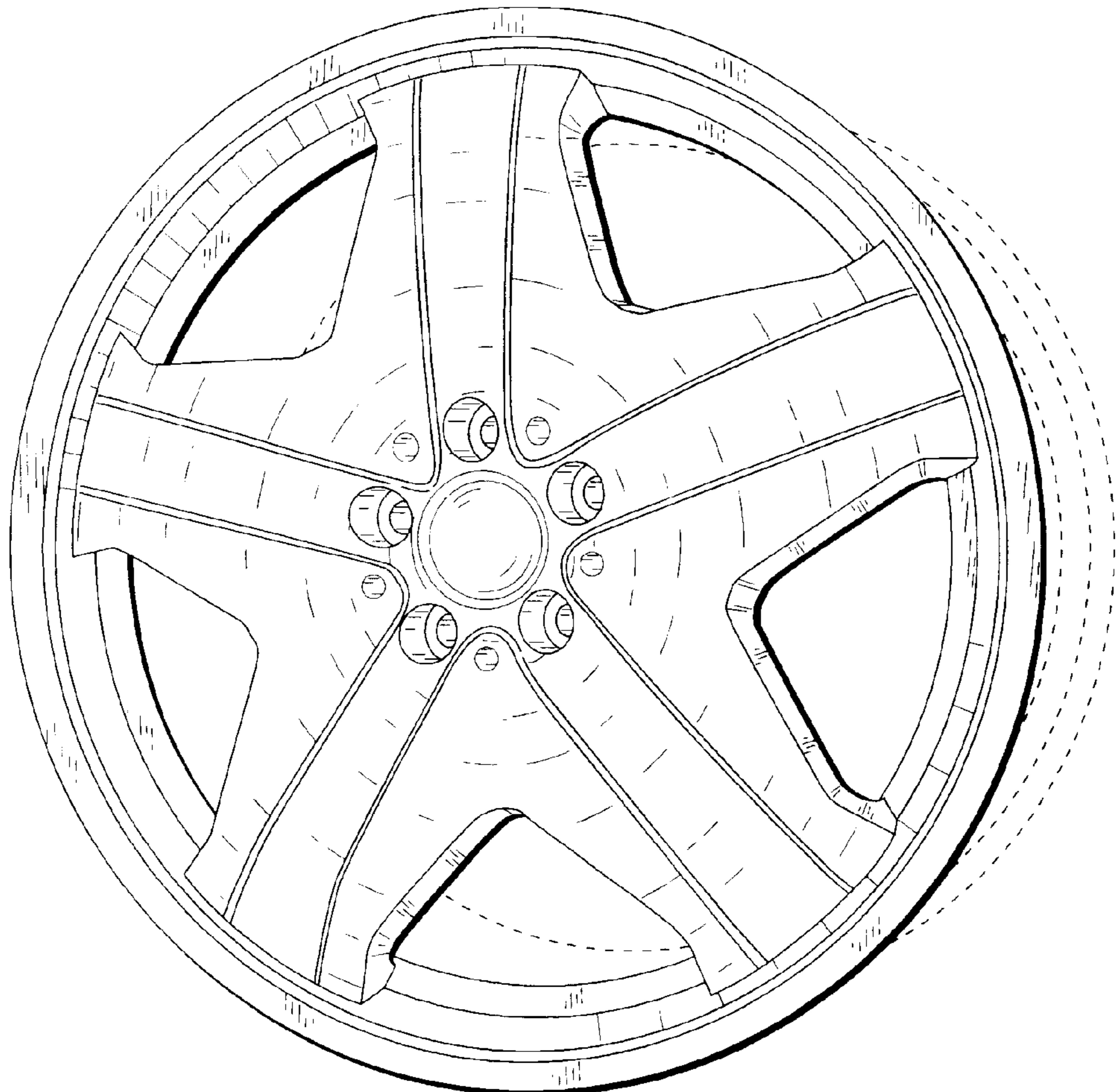
**DESCRIPTION**

FIG. 1 is an oblique view of the automotive wheel of the instant invention; and,

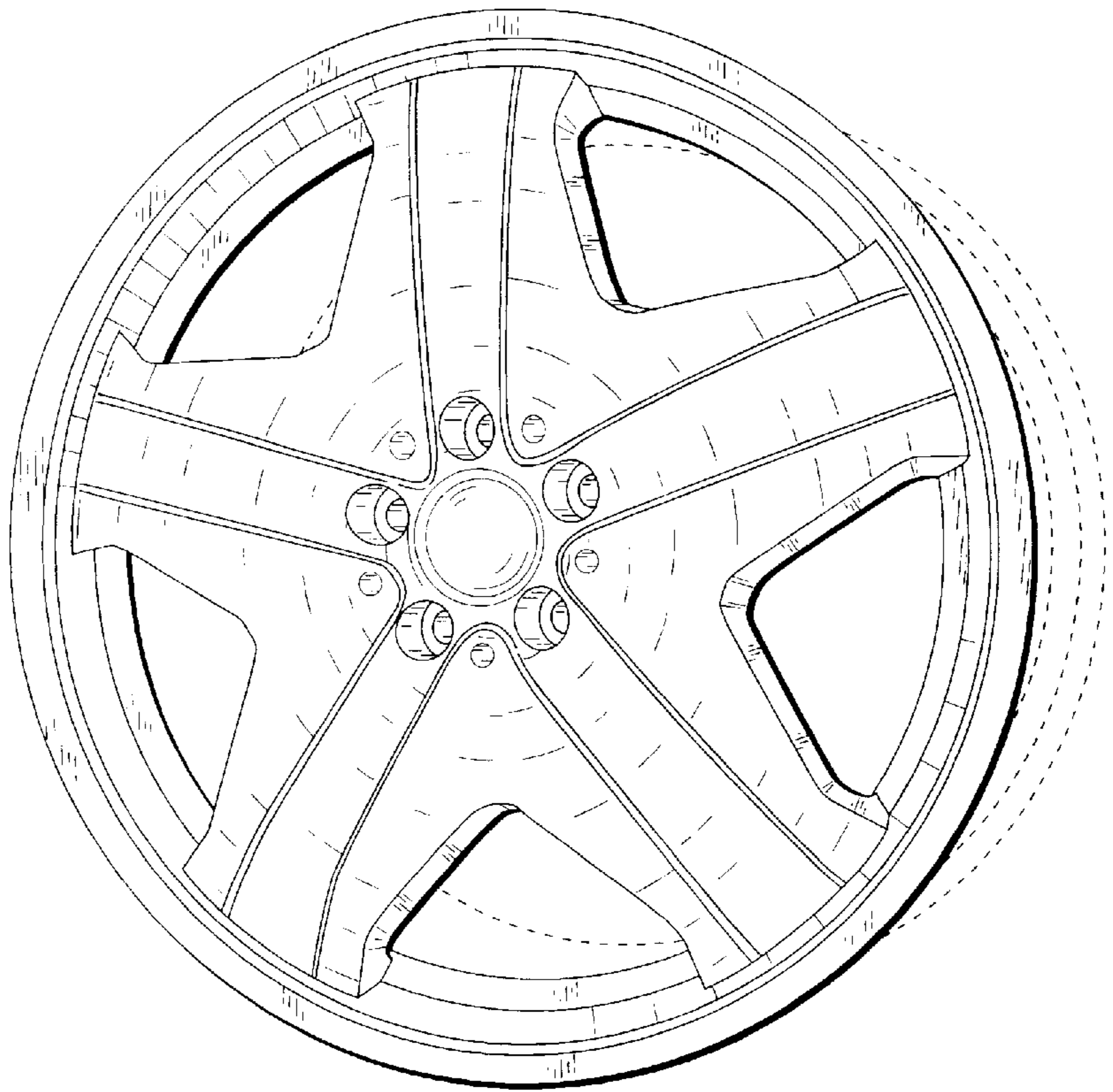
FIG. 2 is a side elevation view of the automotive wheel of the instant invention.

The broken line showing of environment is for illustrative purposes only and forms no part of the claimed design.

**1 Claim, 1 Drawing Sheet**



*Fig. 1*



*Fig. 2*

