



US00D448711B1

(12) **United States Design Patent**
Pusdesris

(10) **Patent No.:** **US D448,711 S**

(45) **Date of Patent:** **** Oct. 2, 2001**

(54) **VEHICLE WHEEL**

(75) **Inventor:** **Lenny Pusdesris**, Brownstown, MI (US)

(73) **Assignee:** **Roush Industries, Inc.**, Livonia, MI (US)

(**) **Term:** **14 Years**

(21) **Appl. No.:** **29/122,731**

(22) **Filed:** **May 1, 2000**

(51) **LOC (7) Cl.** **12-16**

(52) **U.S. Cl.** **D12/209**

(58) **Field of Search** D12/204-211;
301/37.1, 64.1, 65

(56) **References Cited**

U.S. PATENT DOCUMENTS

D. 204,669	*	5/1966	Goodwin	D12/209
D. 234,590		3/1975	Davis	.	
D. 241,830	*	10/1976	Patch	D12/209
D. 250,259		11/1978	Patch	.	
D. 267,488		1/1983	Hayashi	.	
D. 298,527		11/1988	Lorinser	.	
D. 307,572		5/1990	de Lespinay	.	
D. 359,938	*	7/1995	Chien	D12/209
D. 368,884	*	4/1996	Cole	D12/209
D. 371,533	*	7/1996	Castiglione	D12/209
D. 383,722	*	9/1997	Sgalia et al.	D12/209

D. 412,693	*	8/1999	Kulla	D12/211
D. 414,154	*	9/1999	Carter	D12/209
D. 414,156	*	9/1999	Gilles	D12/211
D. 416,846	*	11/1999	Melegari et al.	D12/209
D. 428,844	*	8/2000	Wang	D12/209
5,292,182		3/1994	Kanazawa et al.	.	

* cited by examiner

Primary Examiner—Stacia Cadmus

(74) *Attorney, Agent, or Firm*—Harness, Dickey & Pierce, PLC

(57) **CLAIM**

The ornamental design for a vehicle wheel, as shown and described.

DESCRIPTION

FIG. 1 is a perspective view of a vehicle wheel, showing my new design;

FIG. 2 is a front view thereof;

FIG. 3 is a sectional view thereof, taken along lines 3—3 in FIG. 2;

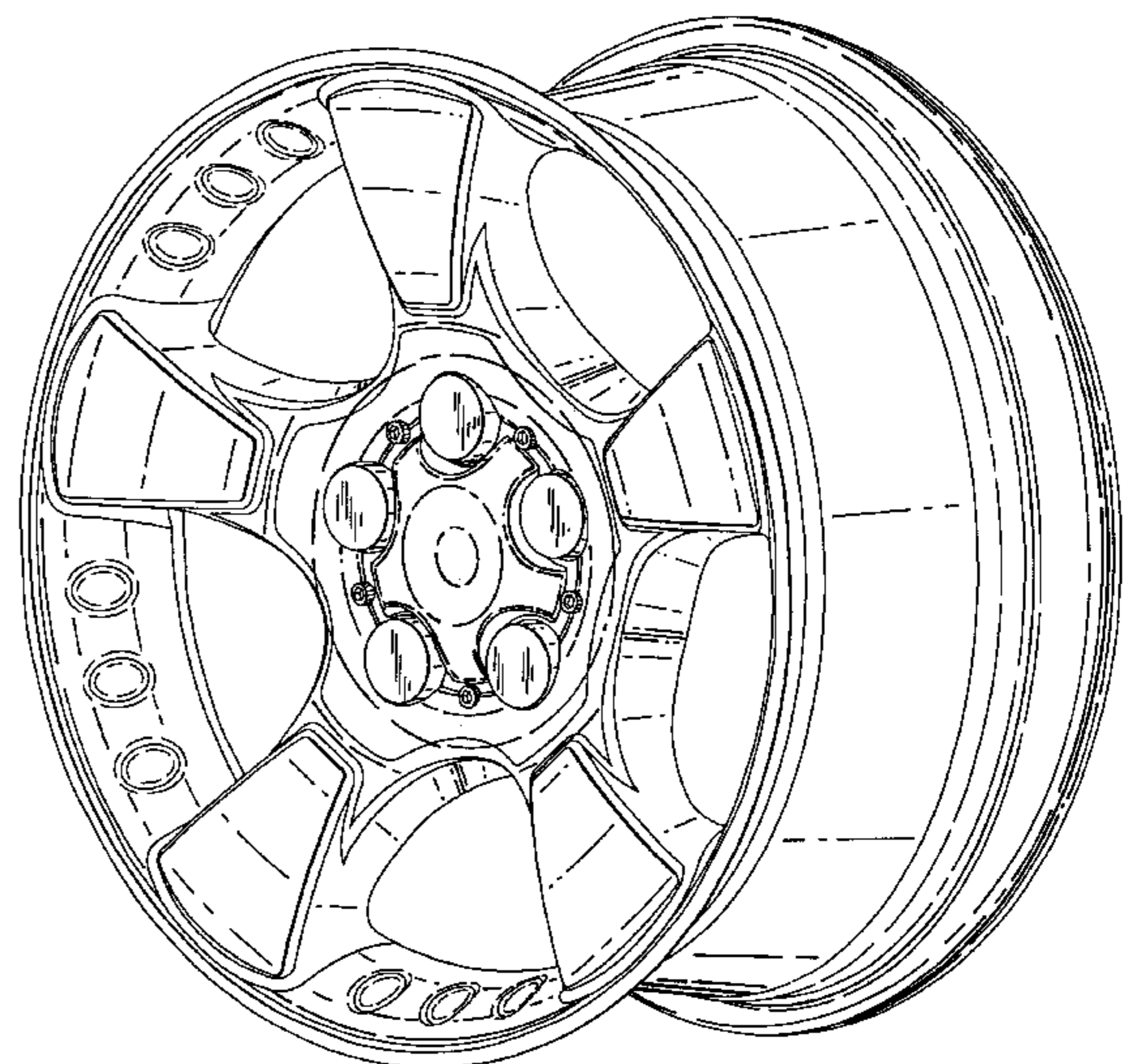
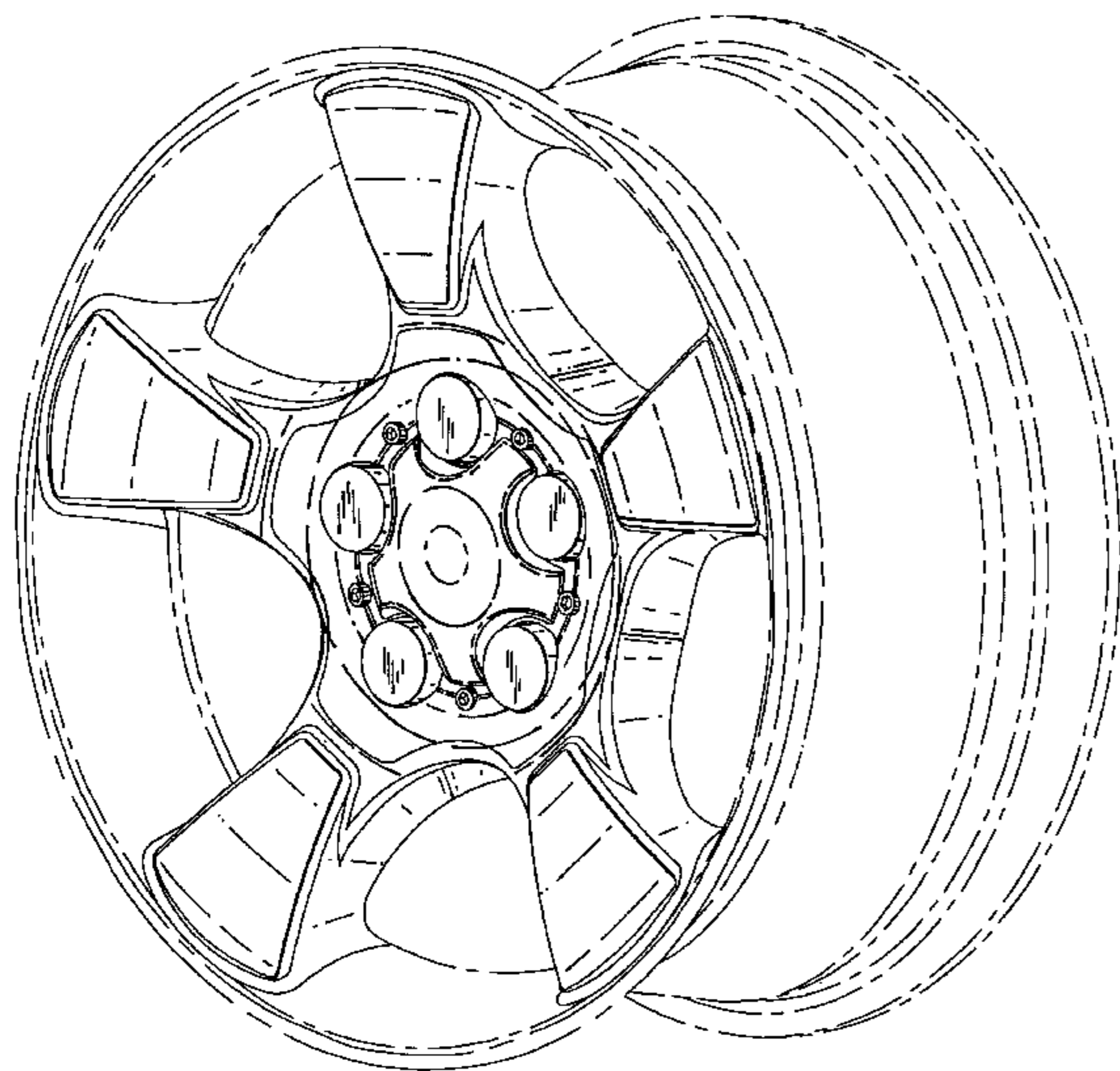
FIG. 4 is a second embodiment of a vehicle wheel showing my new design;

FIG. 5 is a front view of FIG. 4; and,

FIG. 6 is a sectional view of FIGS. 4 and 5 taken along lines 6—6 in FIG. 5.

The broken line showing of environment is for illustrative purposes only and forms no part of the claimed design.

1 Claim, 6 Drawing Sheets



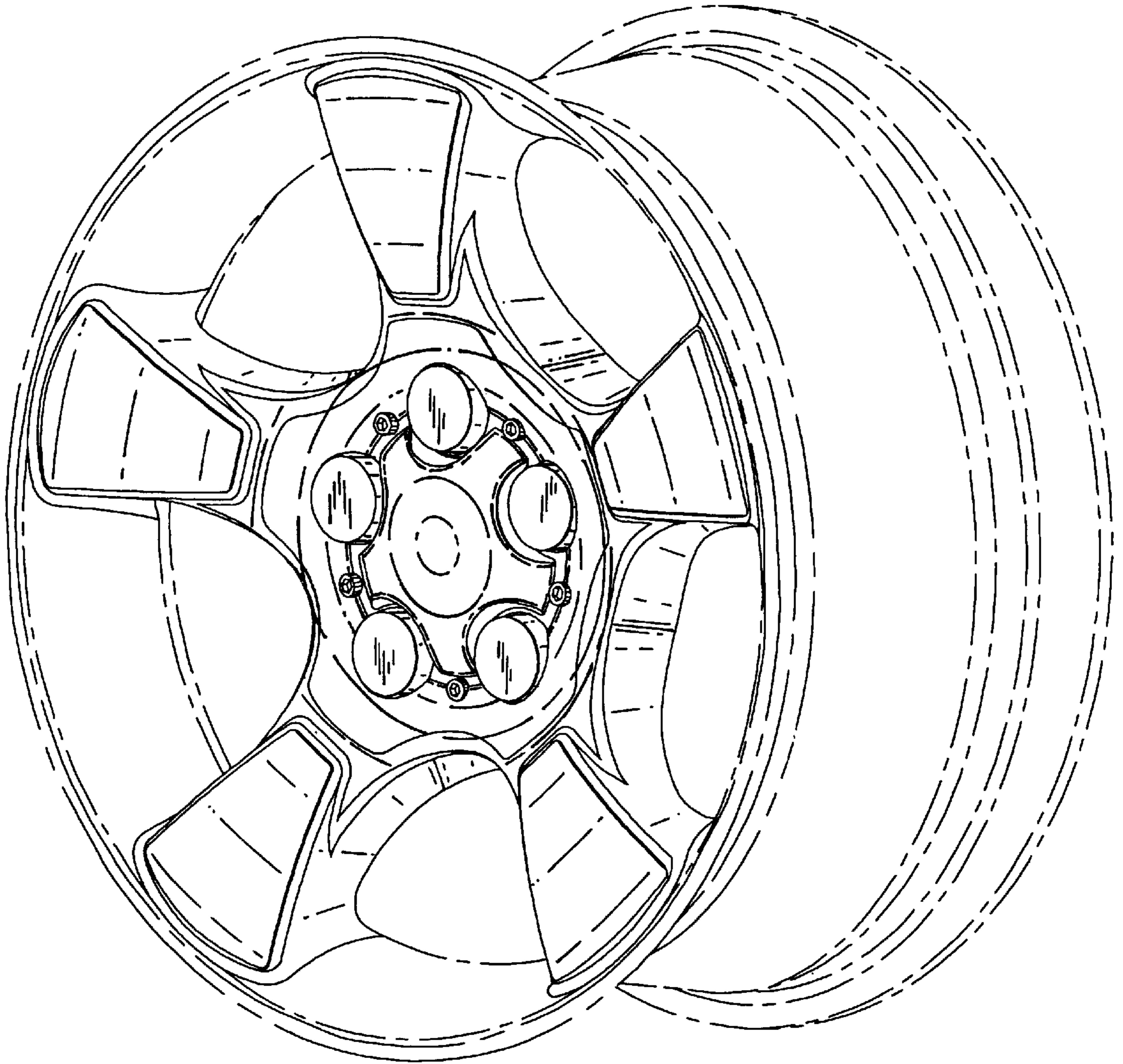


FIG. 1.

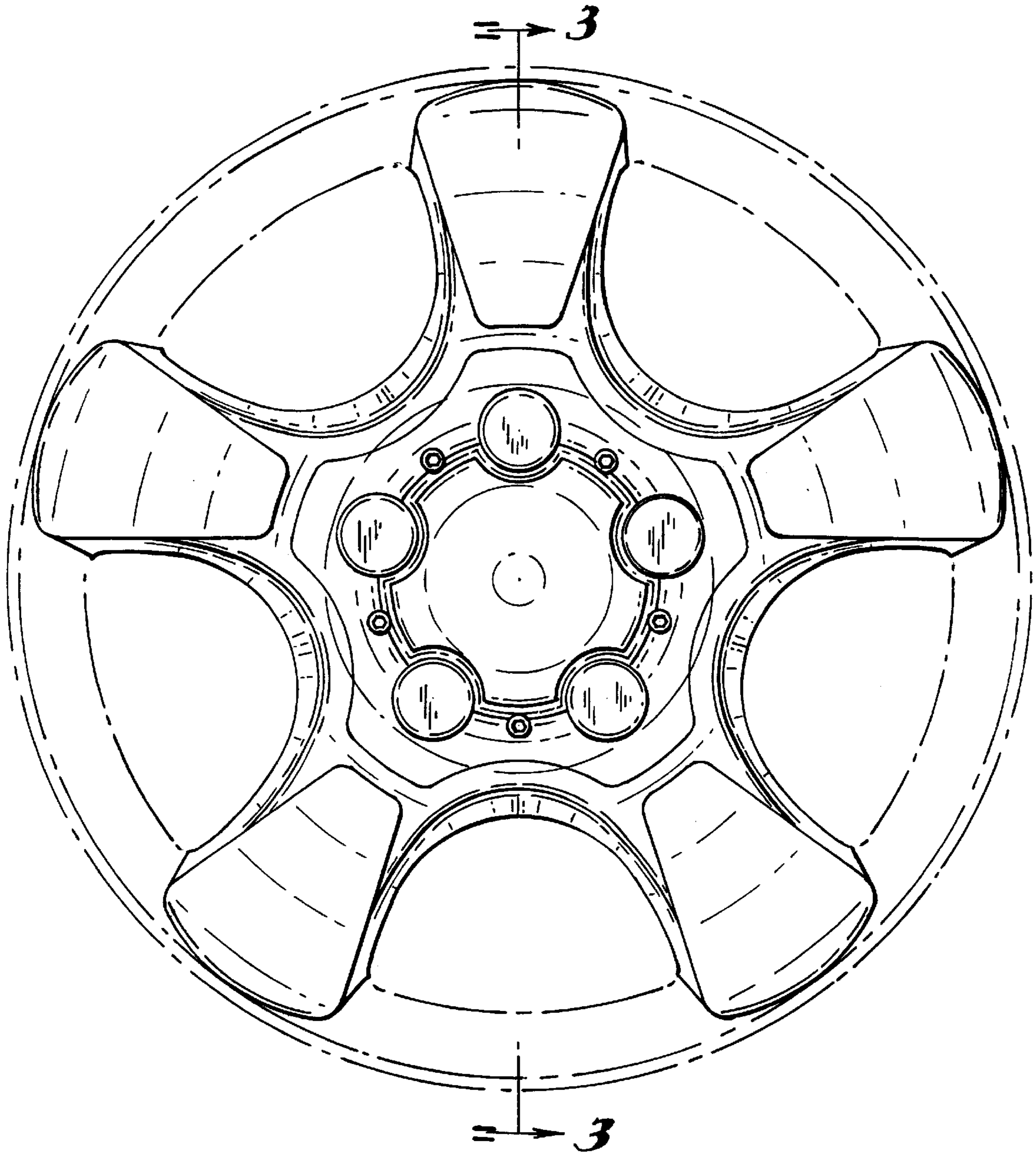


FIG. 2.

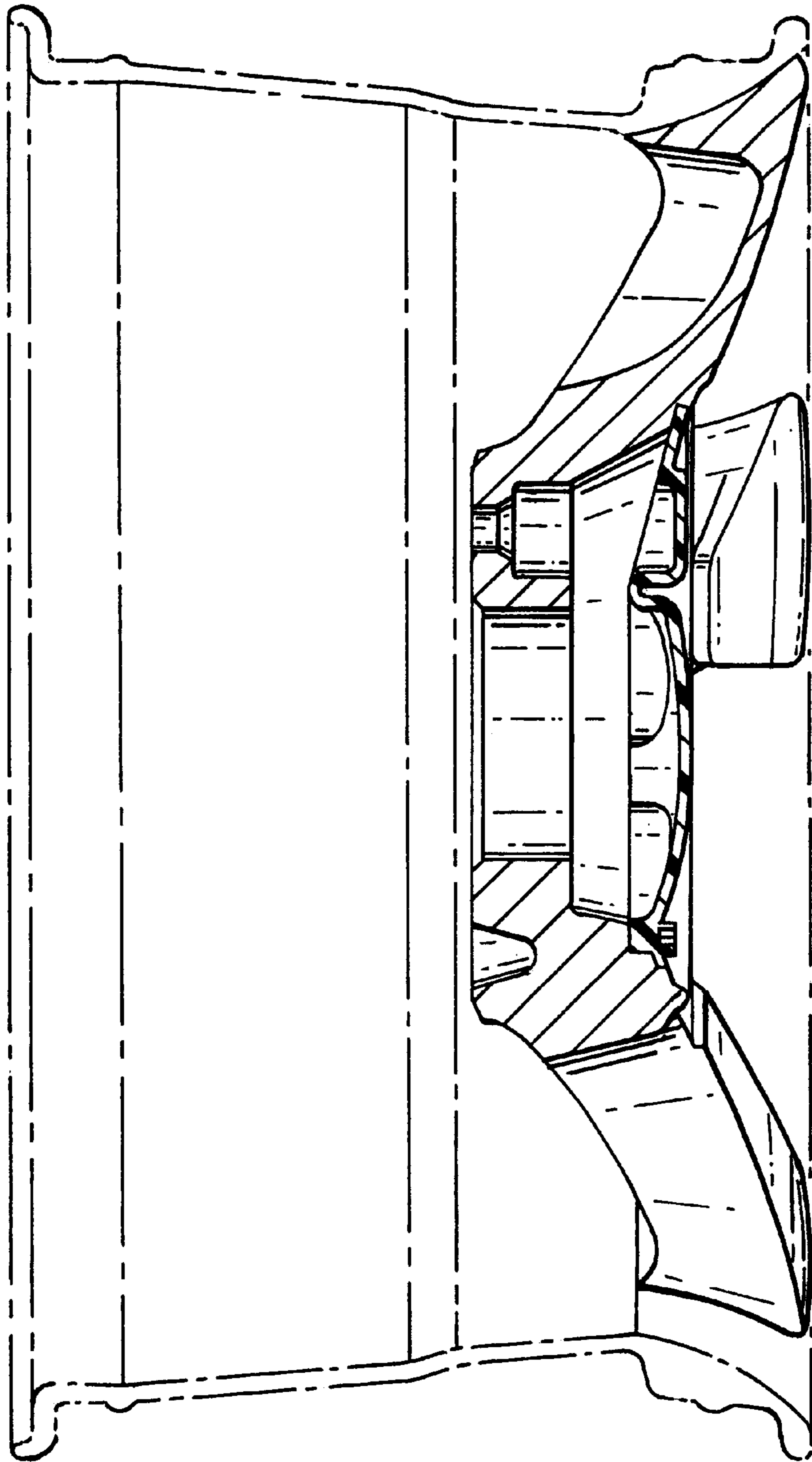


FIG. 3.

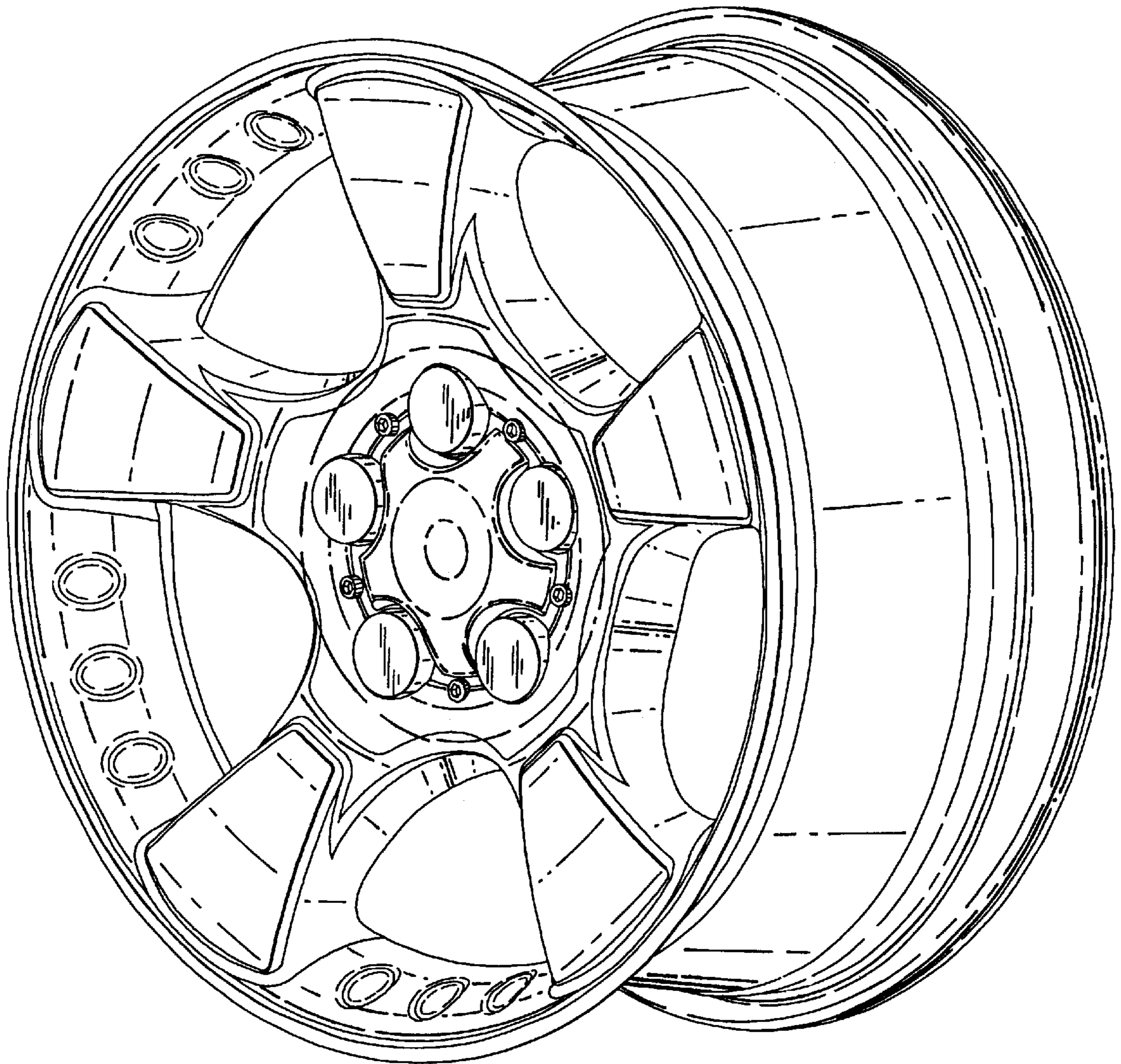


FIG. 4.

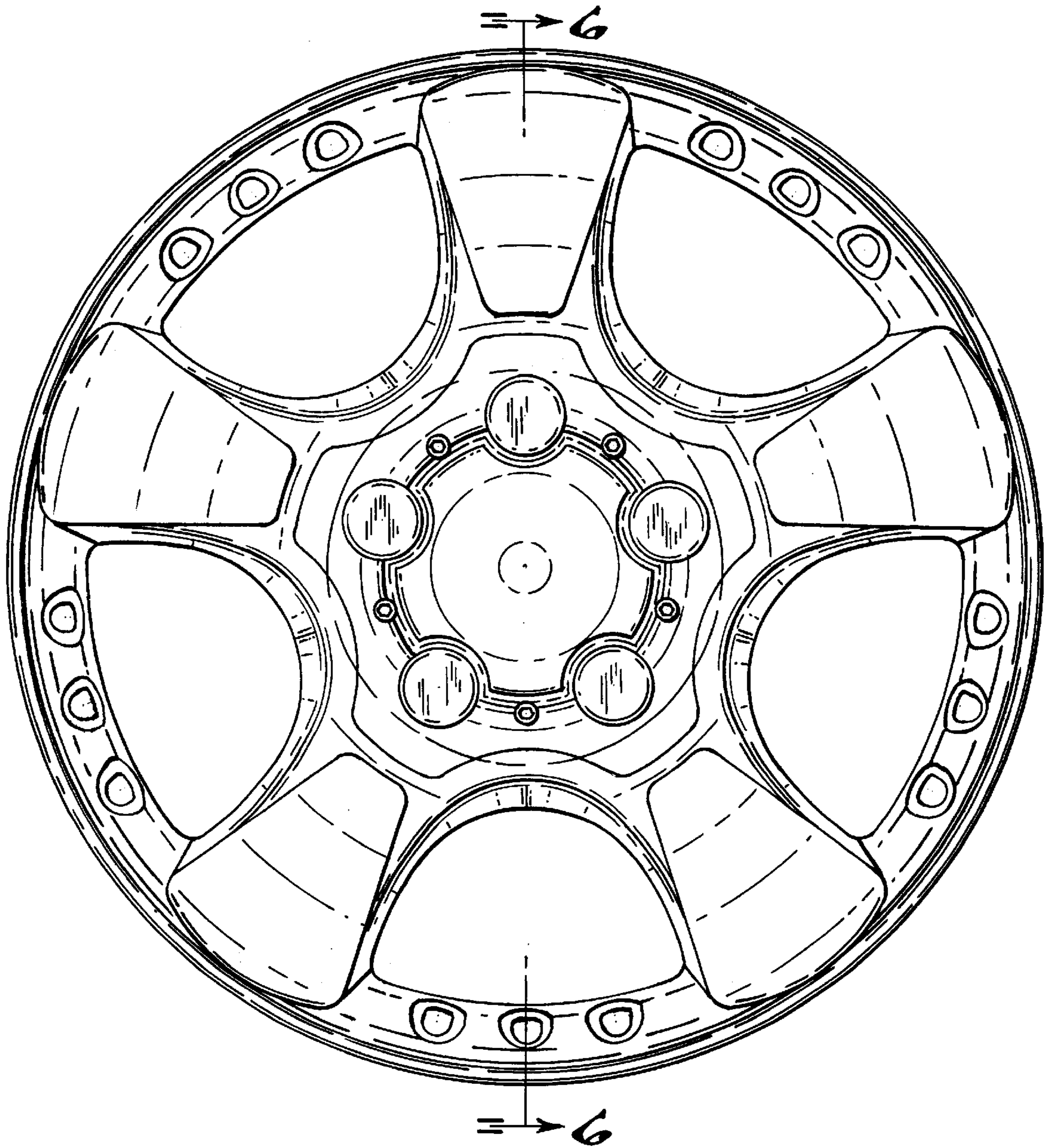


FIG. 5.

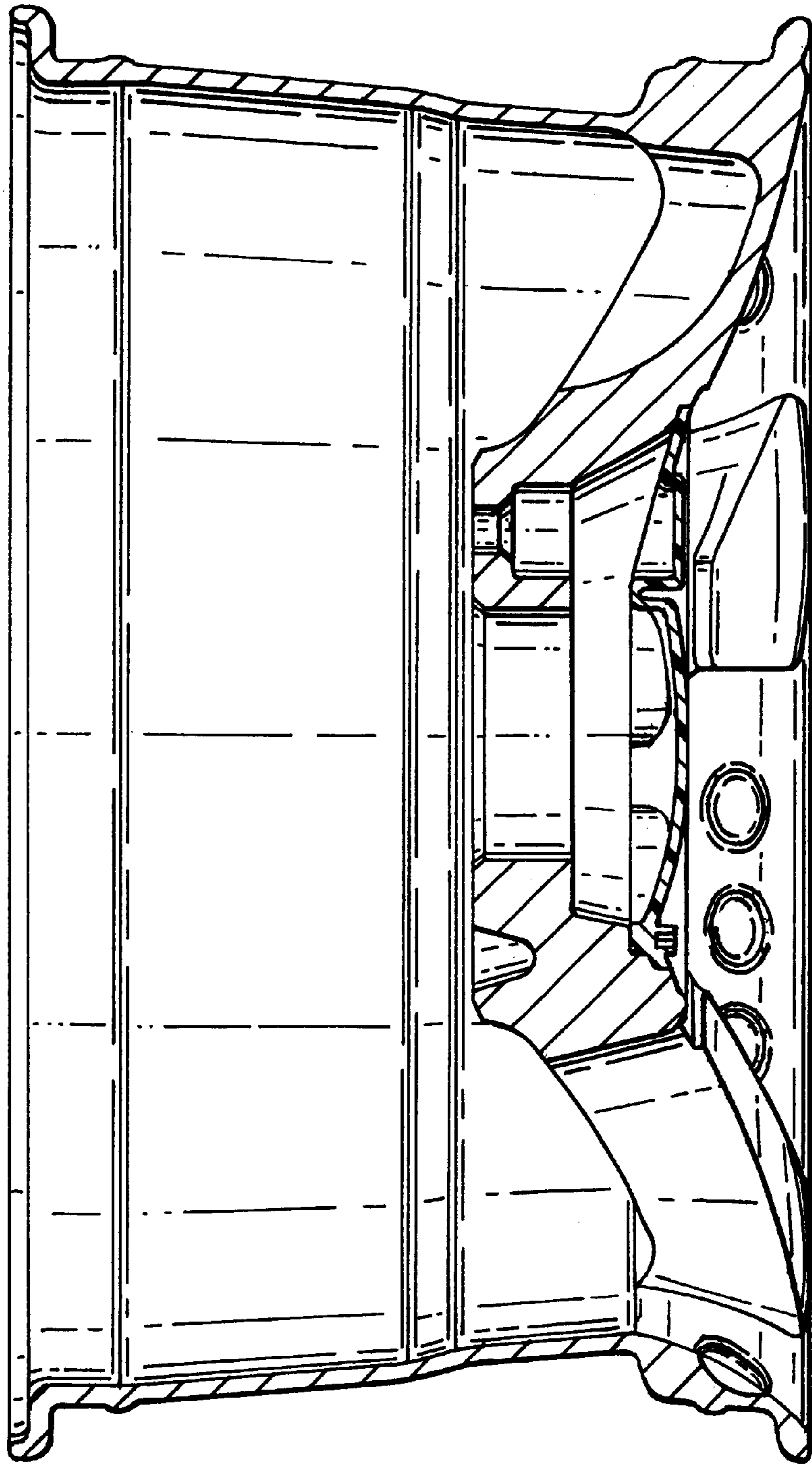


FIG. 6.