



US00D448710B1

(12) **United States Design Patent**
Akana et al.

(10) **Patent No.:** **US D448,710 S**

(45) **Date of Patent:** **** Oct. 2, 2001**

(54) **FRONT PORTION OF MOTOR VEHICLE**

FOREIGN PATENT DOCUMENTS

(75) Inventors: **Satoru Akana; Shigeo Hirata**, both of
Aki-gun (JP)

1043967 7/1999 (JP) .
2000-018884 4/2001 (JP) .

(73) Assignee: **Mazda Motor Corporation**, Hiroshima
(JP)

* cited by examiner

(**) Term: **14 Years**

Primary Examiner—Melody N. Brown
(74) *Attorney, Agent, or Firm*—Nixon Peabody LLP;
Donald R. Studebaker

(21) Appl. No.: **29/134,256**

(57) **CLAIM**

(22) Filed: **Dec. 19, 2000**

The ornamental design for a front portion of motor vehicle,
as shown and described.

(30) **Foreign Application Priority Data**

Jul. 7, 2000 (JP) 12-18884

DESCRIPTION

(51) **LOC (7) Cl.** **12-16**

FIG. 1 is a perspective view of front portion of a motor
vehicle;

(52) **U.S. Cl.** **D12/196**

FIG. 2 is a front view thereof;

(58) **Field of Search** D12/196, 90-92;
296/185, 186

FIG. 3 is a rear view of the motor vehicle;

FIG. 4 is a right side view of front portion of the motor
vehicle;

(56) **References Cited**

U.S. PATENT DOCUMENTS

D. 356,772 3/1995 Lagaay et al. D12/196
D. 411,138 * 6/1999 Ramacotti D12/92
D. 425,843 * 5/2000 Hayashi D12/196
D. 440,527 * 4/2001 Wagner et al. D12/92

FIG. 5 is a left side view thereof; and,

FIG. 6 is a top view thereof.

The motor vehicle shown by broken lines is for illustrative
purposes only and forms no part of the claimed design.

1 Claim, 5 Drawing Sheets

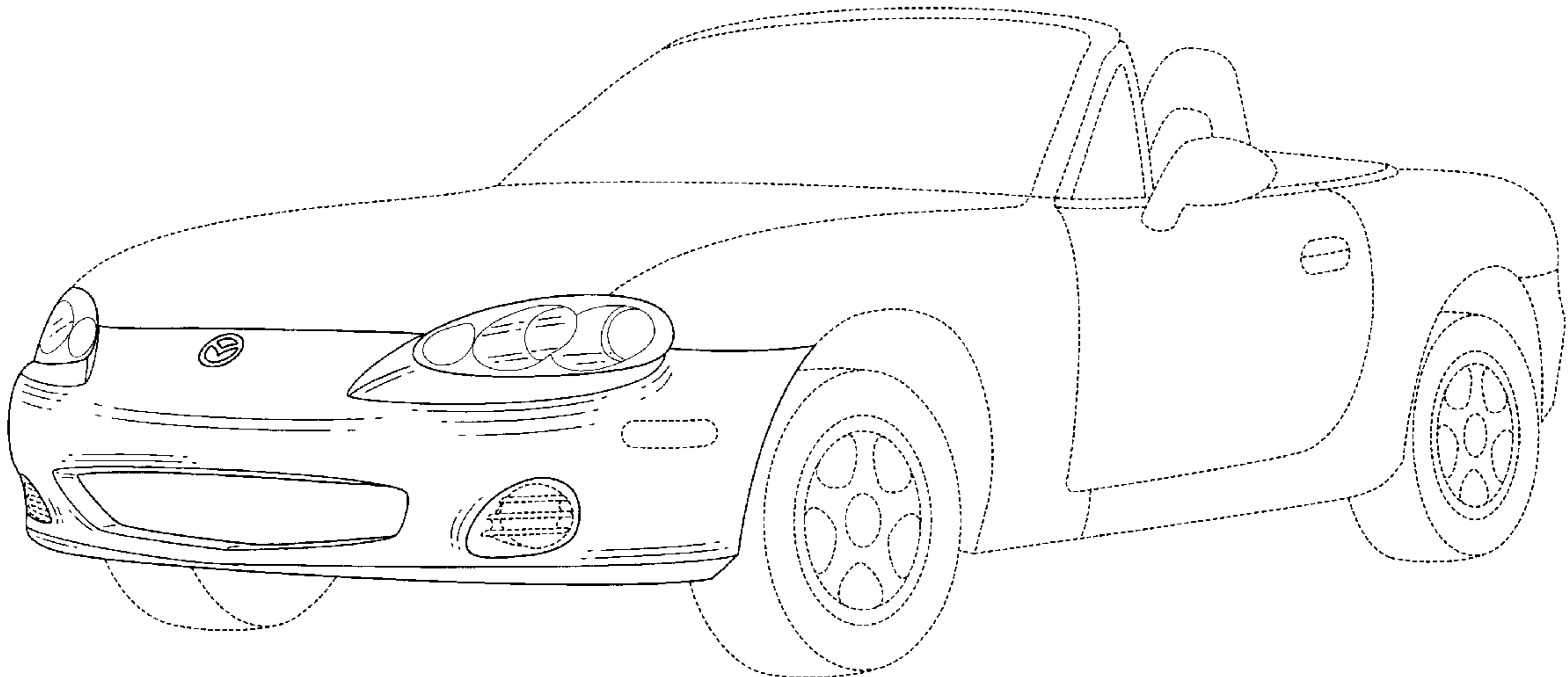


FIG. 1

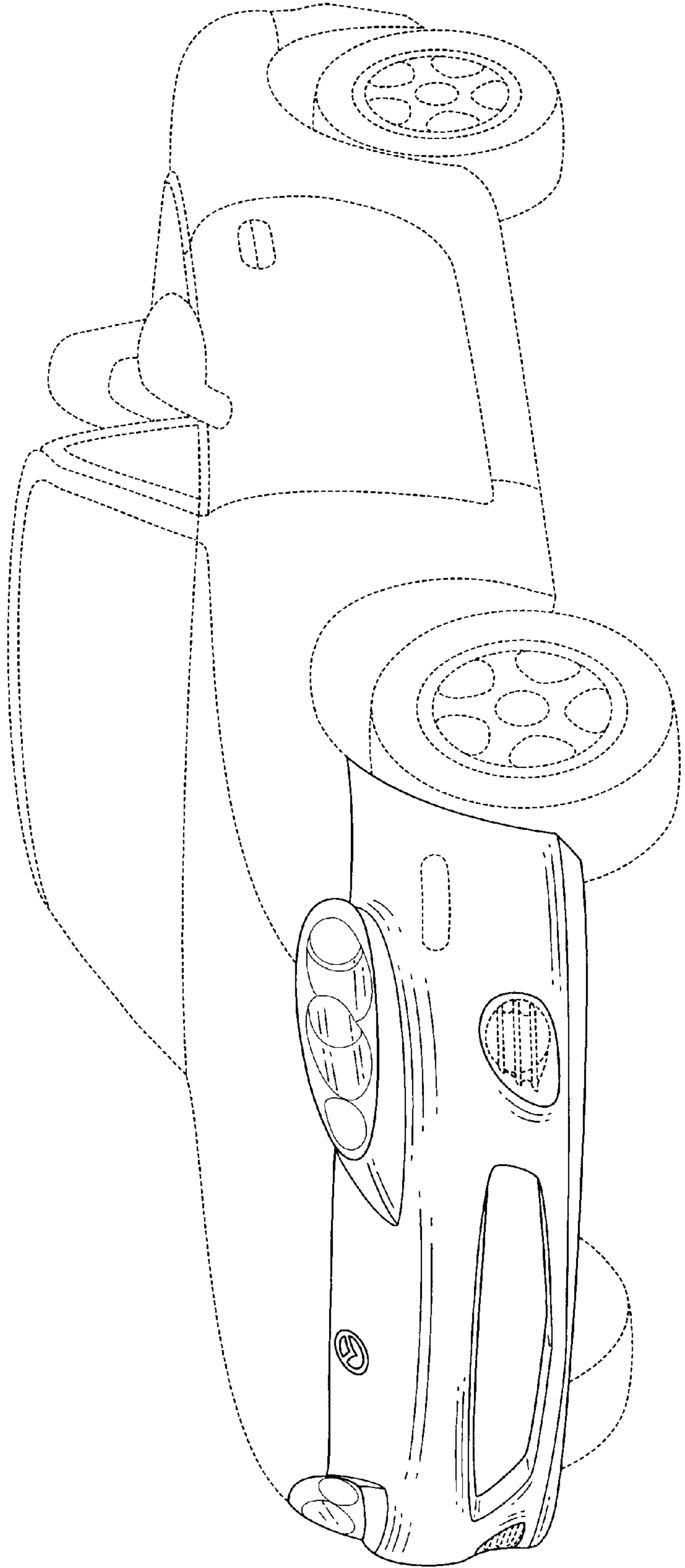


FIG. 2

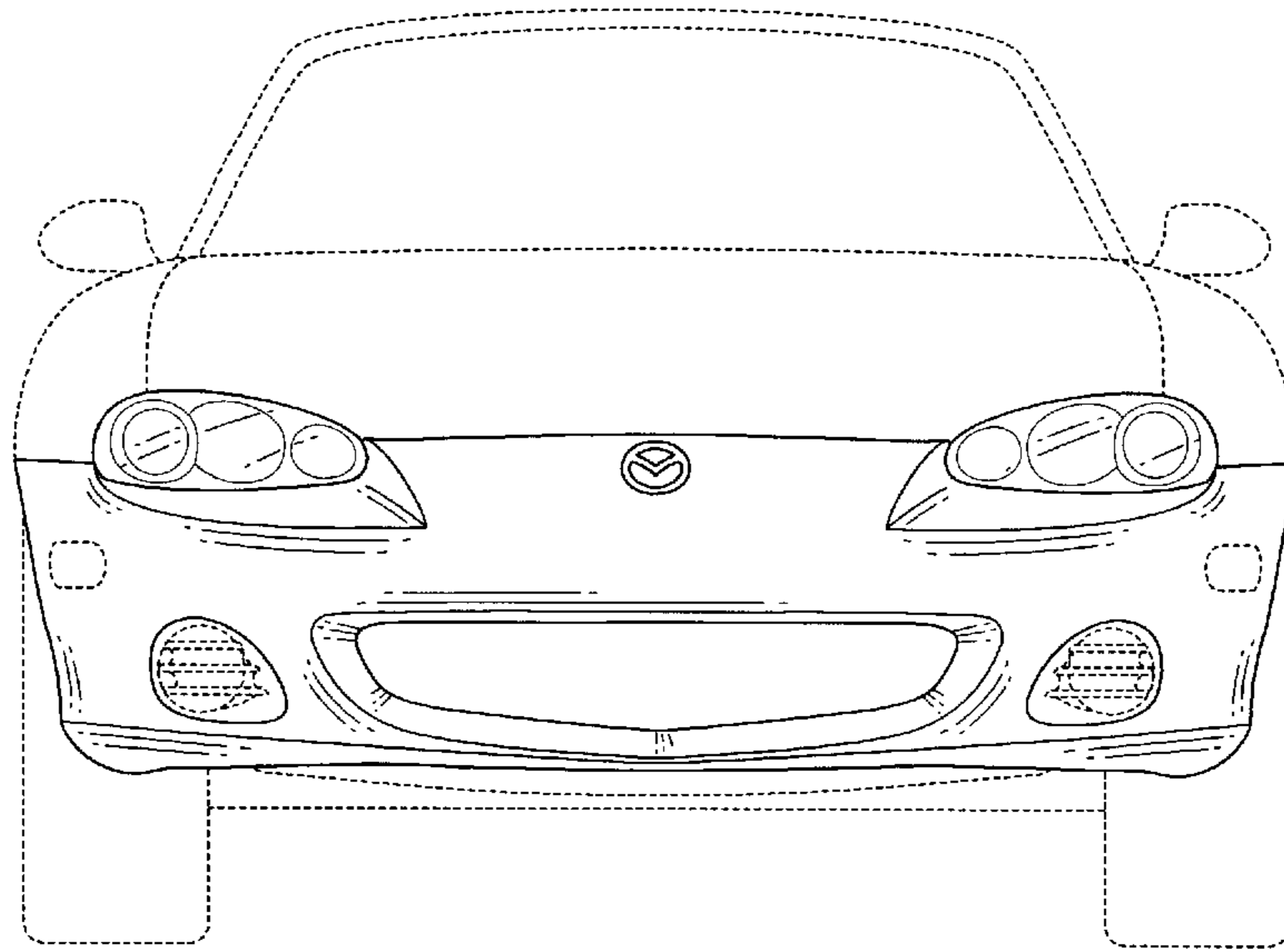


FIG. 3

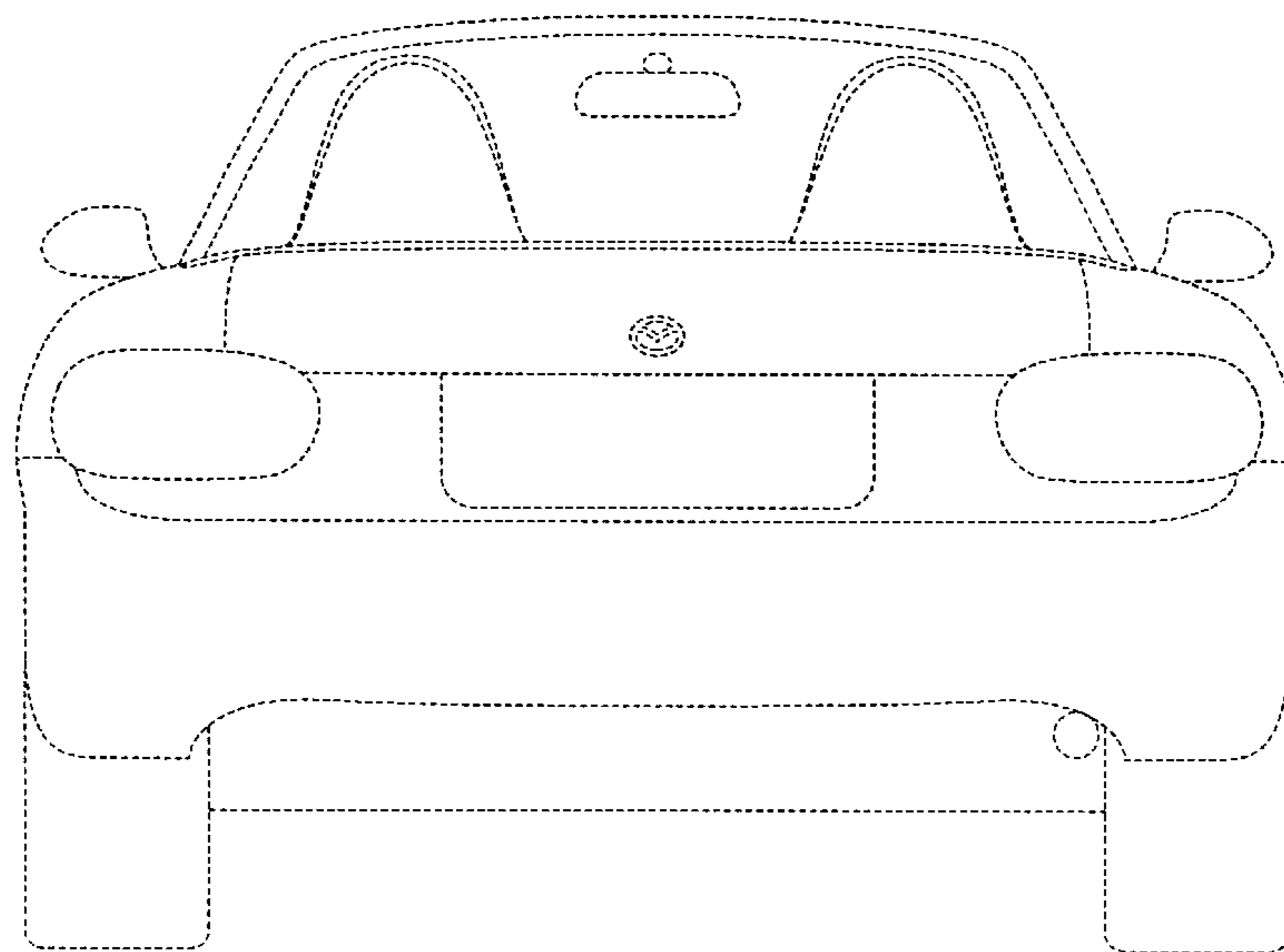


FIG. 4

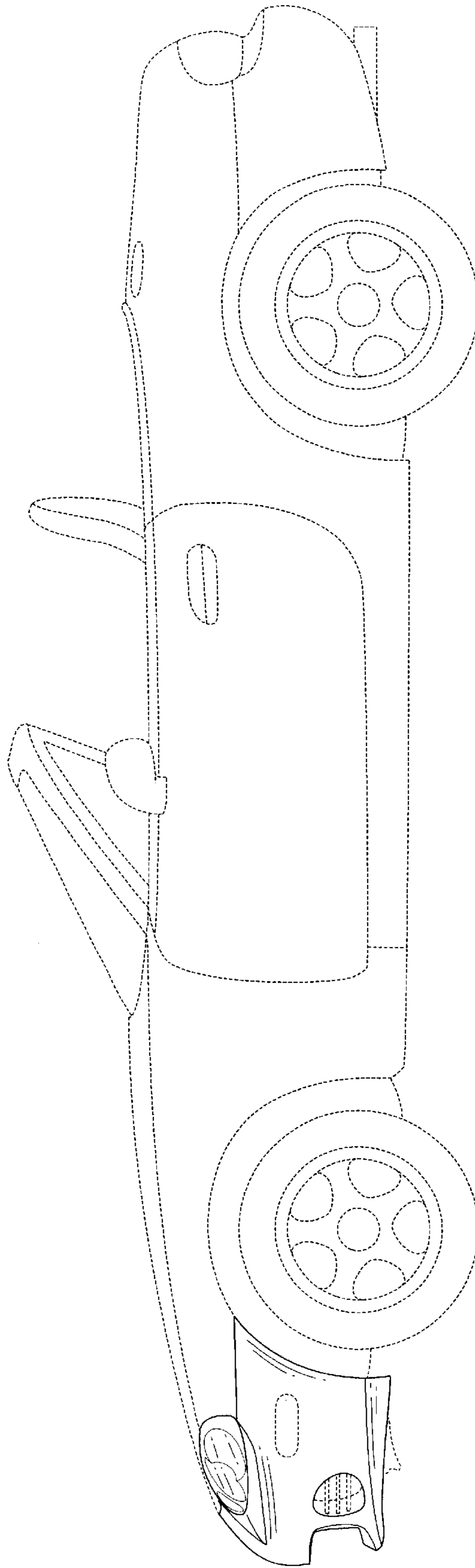


FIG. 5

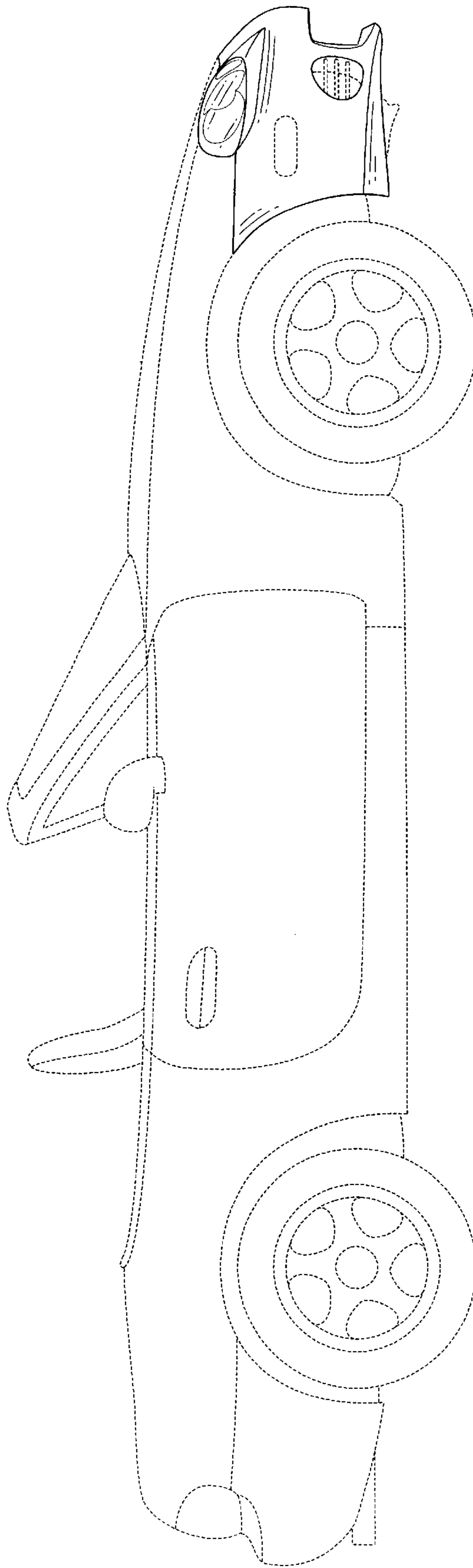
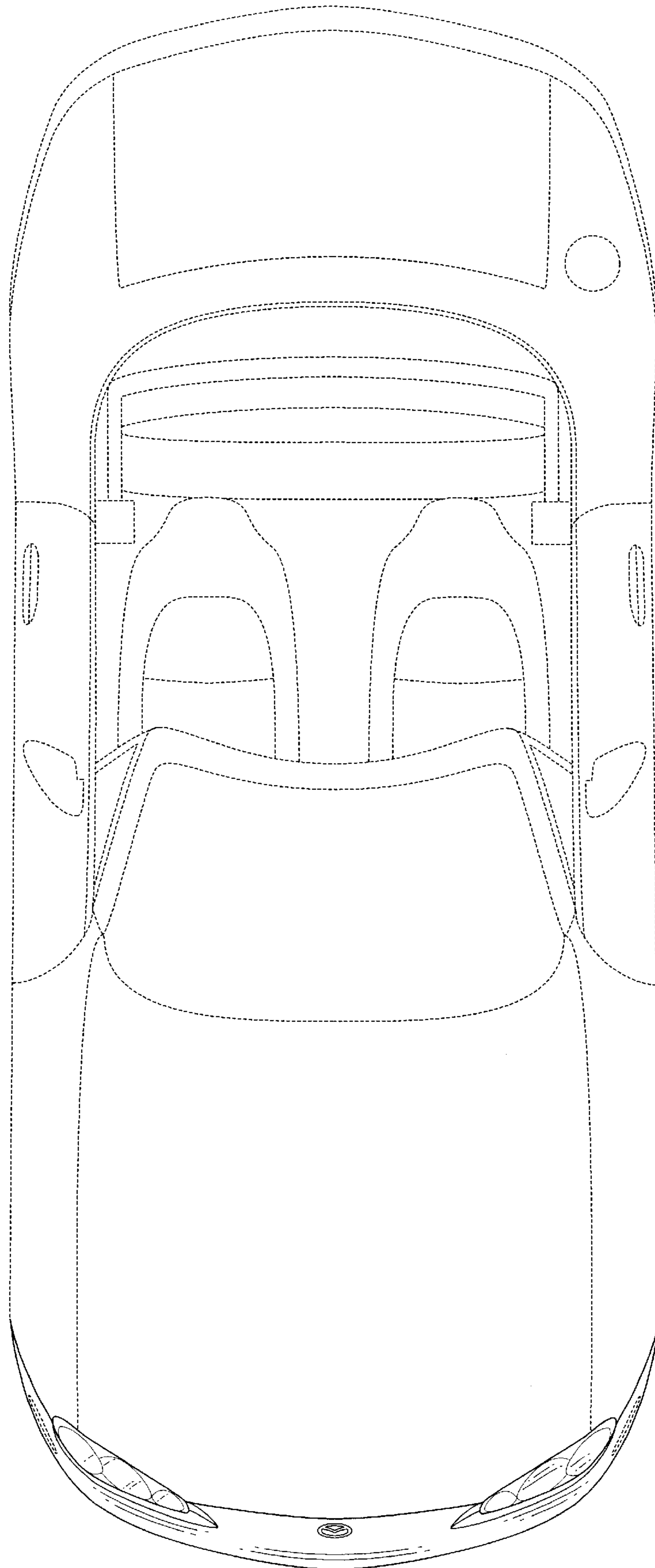


FIG. 6



UNITED STATES PATENT AND TRADEMARK OFFICE
CERTIFICATE OF CORRECTION

PATENT NO. : Des 448,710 S
DATED : October 2, 2001
INVENTOR(S) : Satoru Akana et al.

Page 1 of 1

It is certified that error appears in the above-identified patent and that said Letters Patent is hereby corrected as shown below:

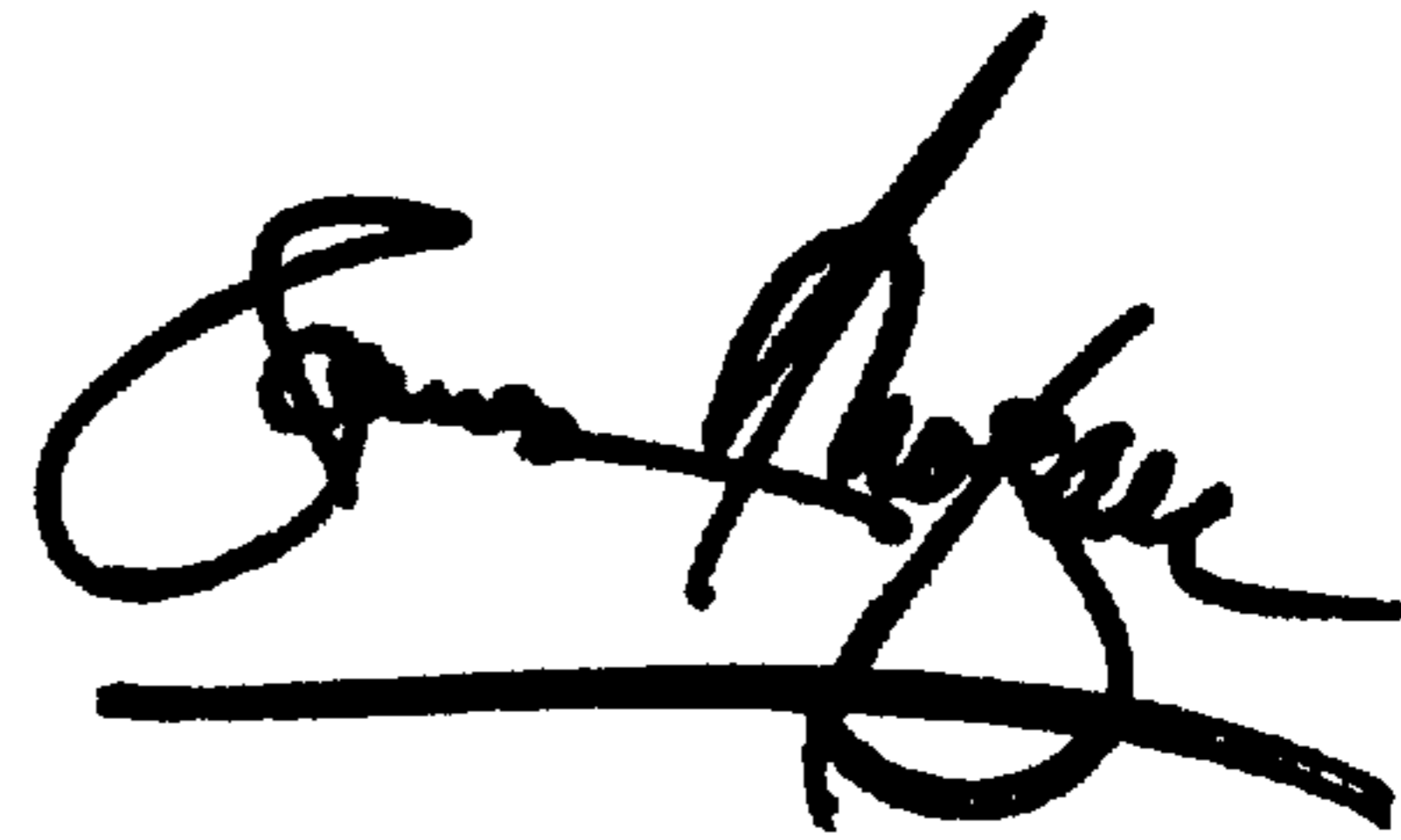
Title page.

Item [30], **Foreign Application Priority Data:** After July, delete "7" and change to -- 10 --.

Signed and Sealed this

Seventh Day of May, 2002

Attest:



Attesting Officer

JAMES E. ROGAN
Director of the United States Patent and Trademark Office