



US00D448706B1

(12) **United States Design Patent**  
**Ferm**

(10) **Patent No.:** **US D448,706 S**

(45) **Date of Patent:** **\*\* Oct. 2, 2001**

(54) **ROLLING WALKER**

(75) Inventor: **Morgan Ferm, Lund (SE)**

(73) Assignee: **ETAC AB, Anderstorp (SE)**

(\*\*) Term: **14 Years**

(21) Appl. No.: **29/107,948**

(22) Filed: **Jul. 13, 1999**

(30) **Foreign Application Priority Data**

Jan. 27, 1999 (SE) ..... 99-0167

(51) **LOC (7) Cl.** ..... **12-12**

(52) **U.S. Cl.** ..... **D12/130; D12/128**

(58) **Field of Search** ..... **D12/128-133;**  
**135/65, 67, 74, 85; 280/87.021, 87.041;**  
**297/5, 6**

(56) **References Cited**

**U.S. PATENT DOCUMENTS**

D. 310,646 \* 9/1990 Rose ..... D12/130

D. 312,061 \* 11/1990 Smith ..... D12/130

D. 375,708 \* 11/1996 Ahlbertz ..... D12/130

\* cited by examiner

*Primary Examiner*—Kay H. Chin

(74) *Attorney, Agent, or Firm*—Smith, Gambrell & Russell, LLP

(57) **CLAIM**

The ornamental design for a rolling walker, as shown and described.

**DESCRIPTION**

FIG. 1 is a front perspective view of a rolling walker showing my new design;  
FIG. 2 is a rear perspective view thereof;  
FIG. 3 is a right side elevational view thereof; the left side view is the same as the right side view;  
FIG. 4 is a rear elevational view thereof;  
FIG. 5 is a front elevational view thereof;  
FIG. 6 is a bottom plan view thereof; and,  
FIG. 7 is a top plan view thereof.

**1 Claim, 7 Drawing Sheets**

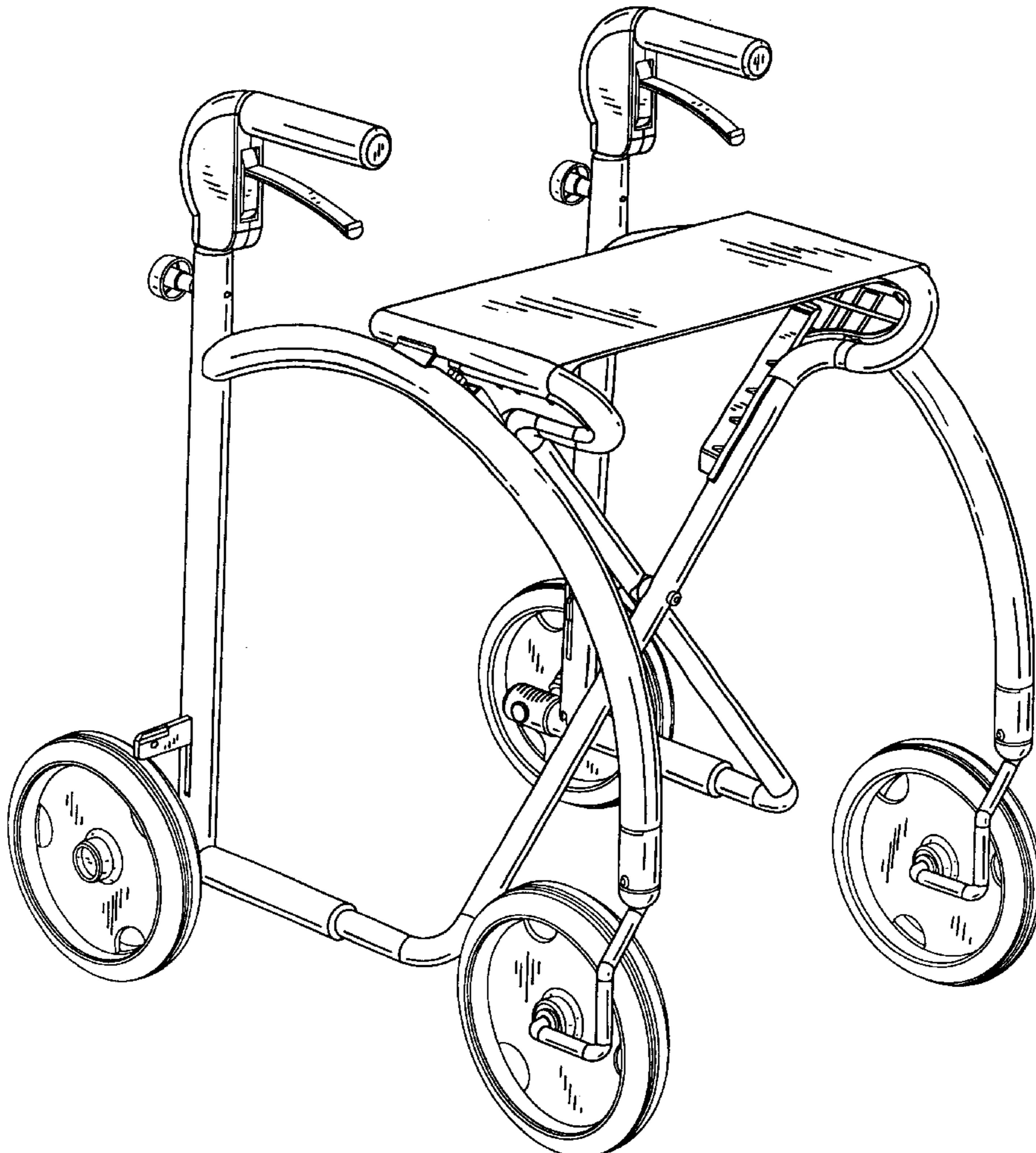


FIG. 1

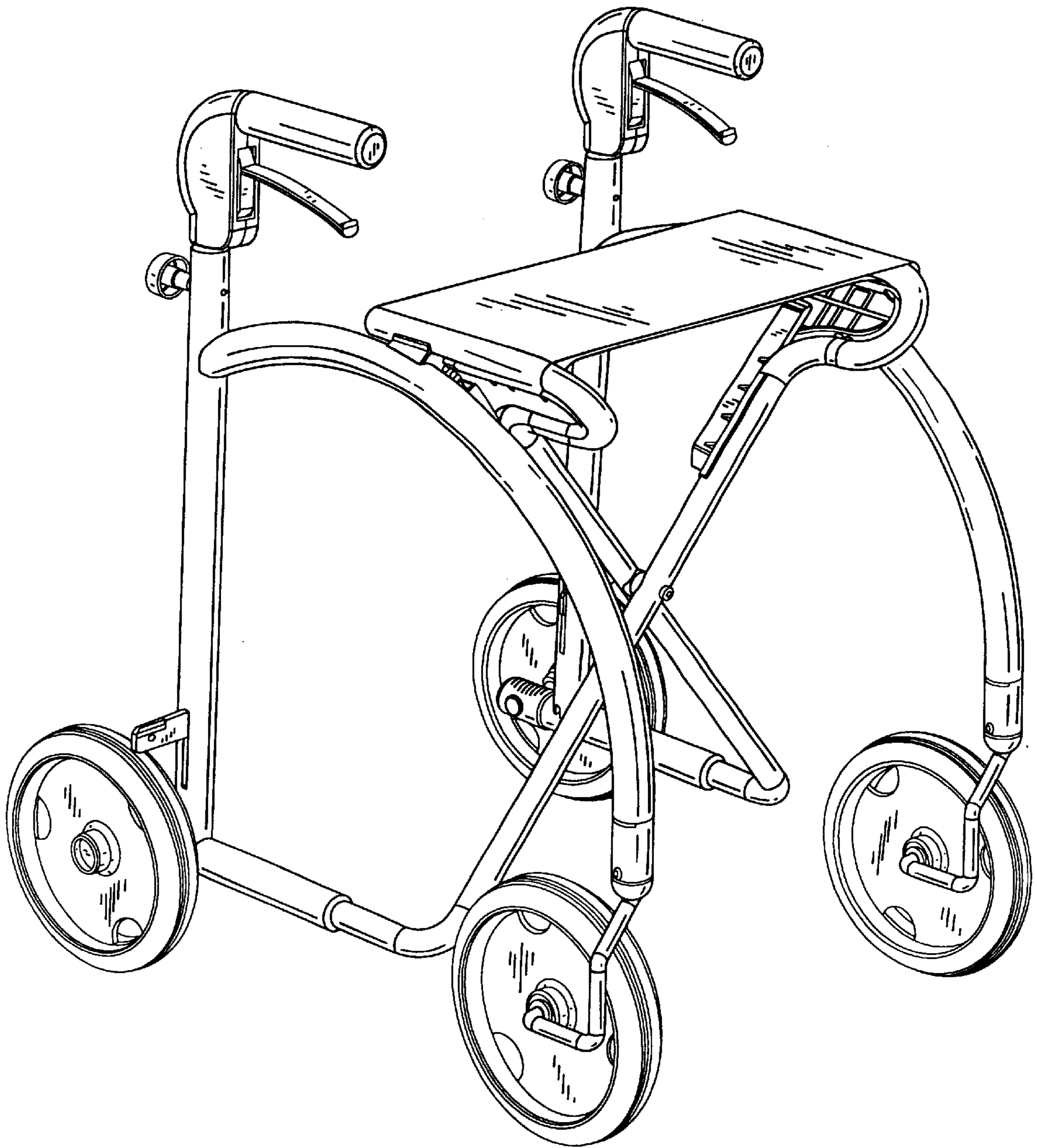


FIG. 2

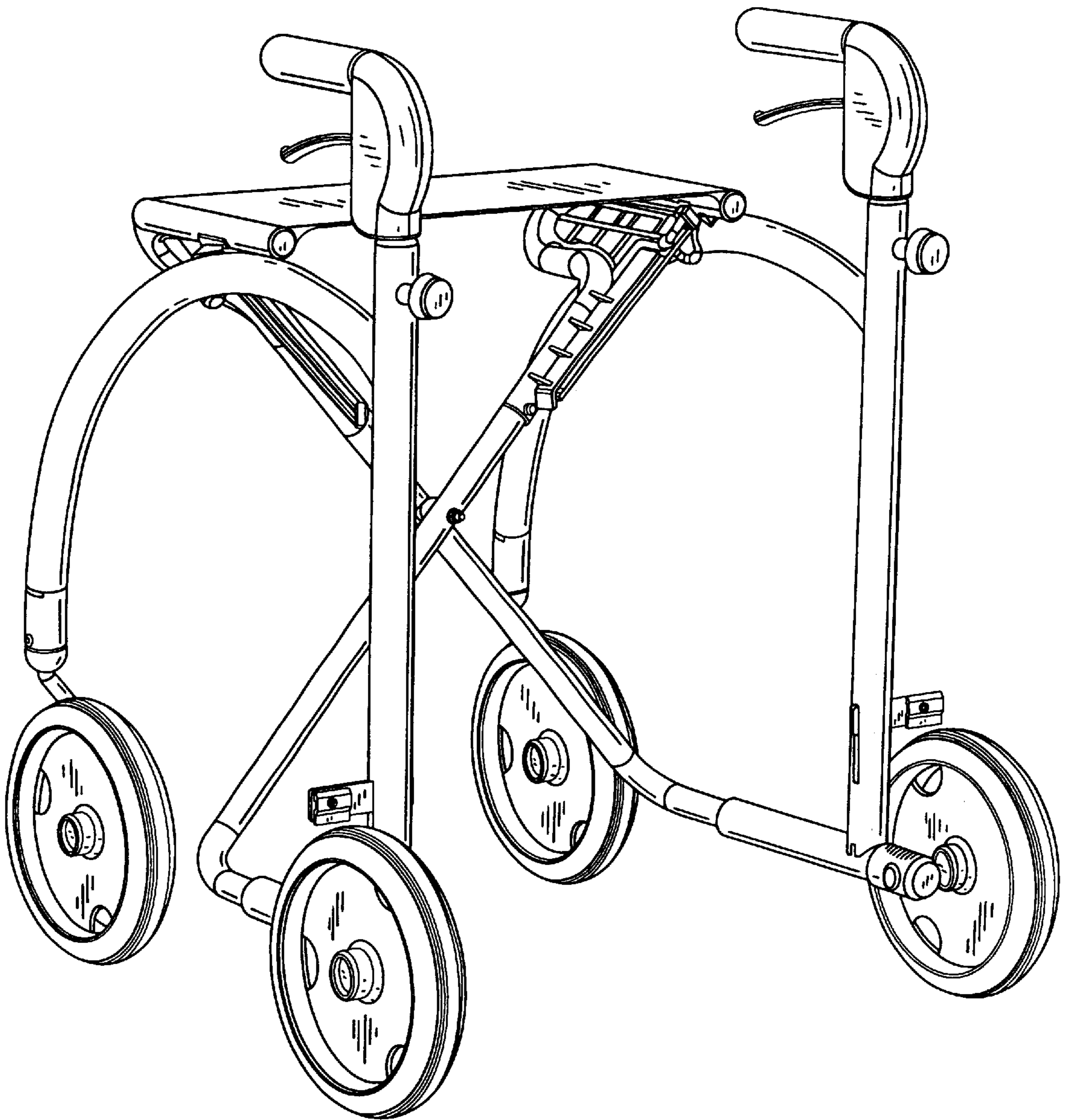




FIG. 3

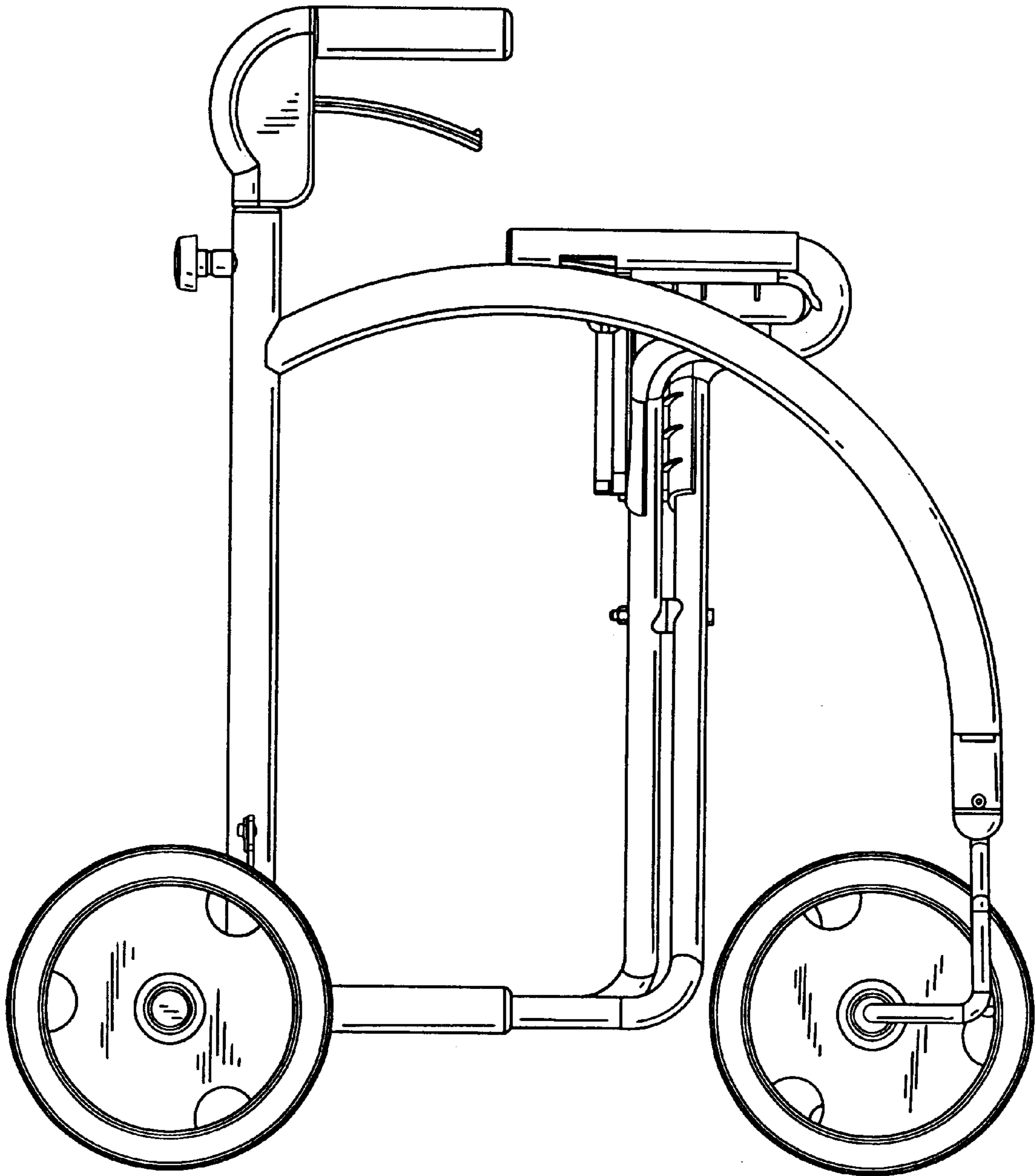


FIG. 4

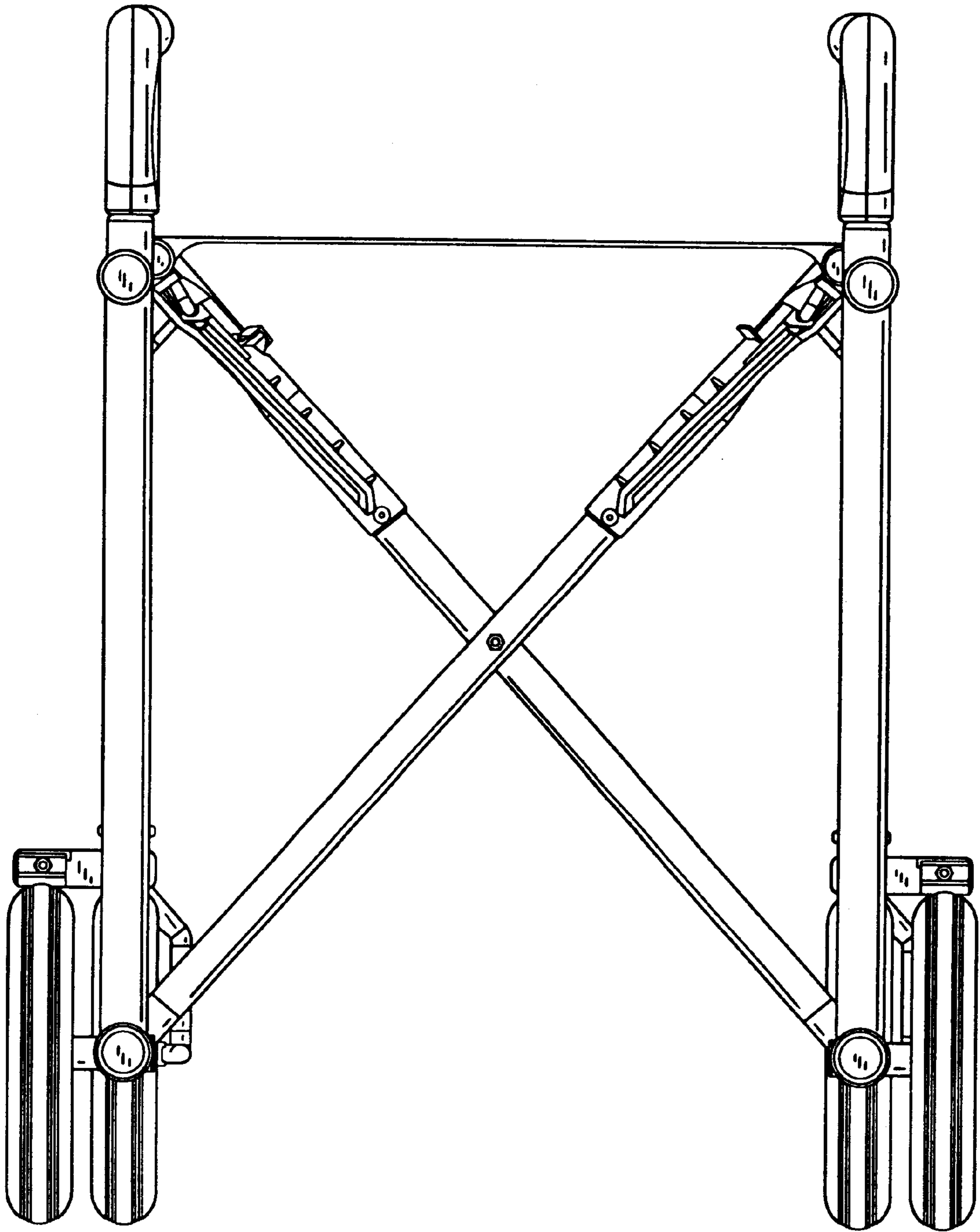


FIG. 5

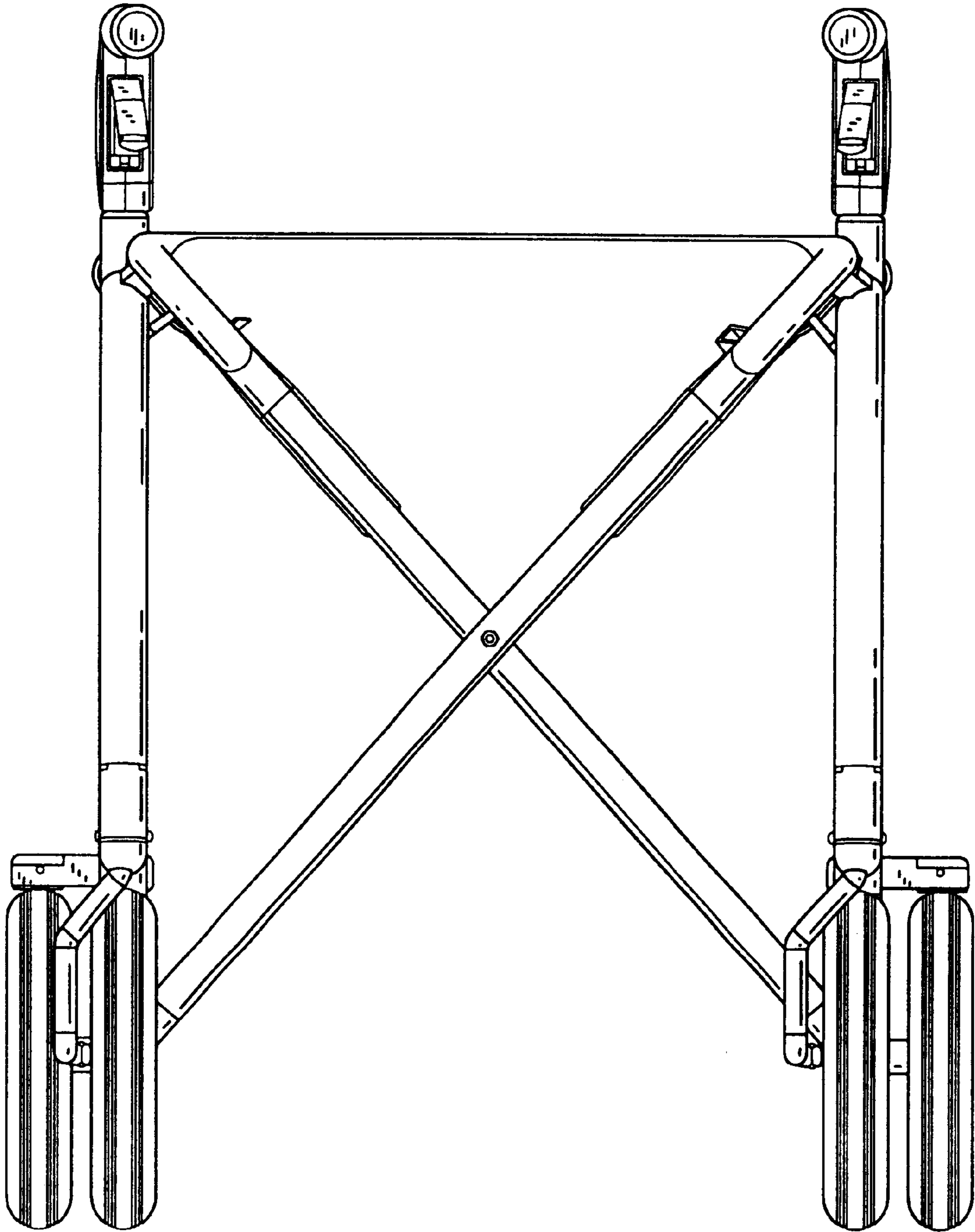


FIG. 6

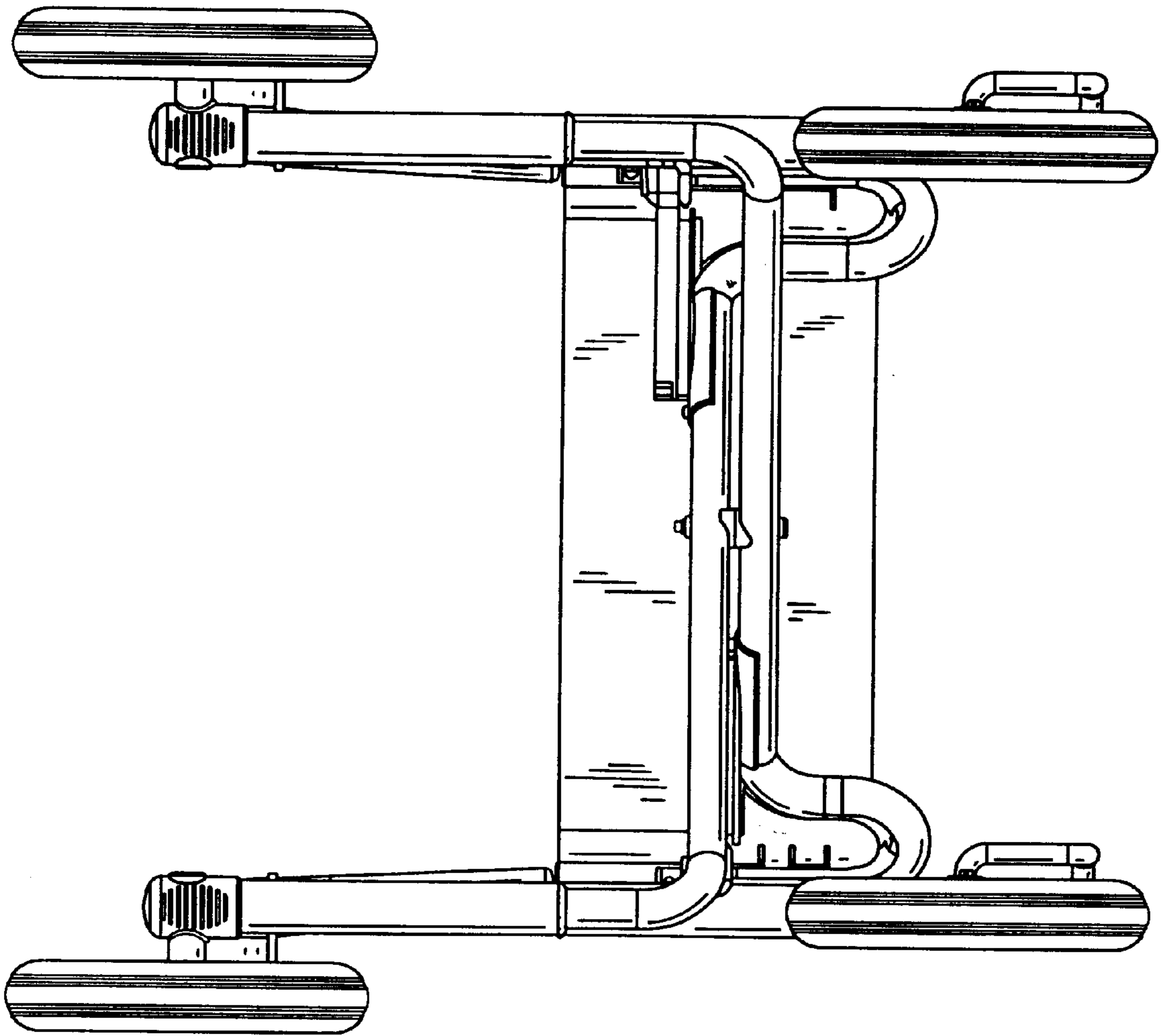


FIG. 7

