



US00D448705B1

(12) **United States Design Patent**  
**Bulson**

(10) **Patent No.:** **US D448,705 S**

(45) **Date of Patent:** **\*\* Oct. 2, 2001**

(54) **TRAINING WHEEL MOUNTING BRACKET**

(76) **Inventor:** **Kevin F. Bulson**, 801 Ashmeade Rd.,  
Charlotte, NC (US) 28211

(\*\*) **Term:** **14 Years**

(21) **Appl. No.:** **29/131,581**

(22) **Filed:** **Oct. 24, 2000**

**Related U.S. Application Data**

(63) Continuation-in-part of application No. 29/094,878, filed on  
Oct. 13, 1998, now Pat. No. Des. 432,954.

(51) **LOC (7) Cl.** ..... **12-11**

(52) **U.S. Cl.** ..... **D12/114**

(58) **Field of Search** ..... D12/111, 112,  
D12/114, 153, 223; 280/288.4, 291.1, 293,  
301, 767; D8/396; 248/291.1, 300

(56) **References Cited**

**U.S. PATENT DOCUMENTS**

D. 237,600 \* 11/1975 Berger et al. .... D12/114

D. 257,122 \* 9/1980 Price ..... D12/114 X  
3,642,305 \* 2/1972 Pawsat ..... 280/293  
4,326,729 \* 4/1982 Luckowski et al. .... 280/293 X  
5,054,803 \* 10/1991 Ellingsen, Jr. .... 280/301

\* cited by examiner

*Primary Examiner*—Alan P. Douglas

*Assistant Examiner*—Linda Brooks

(74) *Attorney, Agent, or Firm*—Dougherty & Clements  
LLP

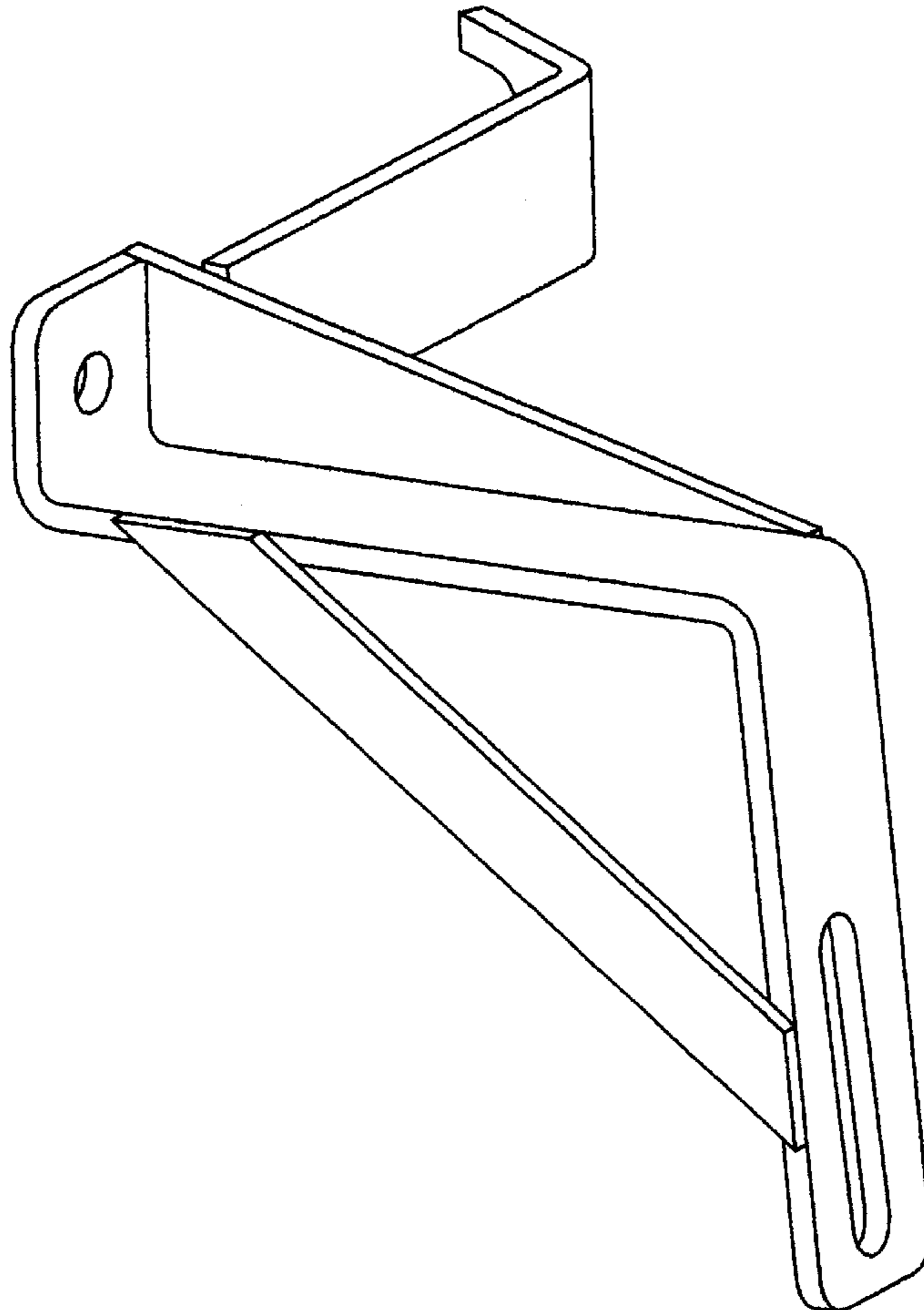
(57) **CLAIM**

The ornamental design for a training wheel mounting  
bracket, as shown and described.

**DESCRIPTION**

FIG. 1 is an isometric view of the training wheel mounting  
bracket showing the new design;  
FIG. 2 is a top view thereof on a reduced scale;  
FIG. 3 is a left side view thereof on a reduced scale;  
FIG. 4 is a front view thereof on a reduced scale;  
FIG. 5 is a right side view thereof on a reduced scale; and,  
FIG. 6 is a bottom view thereof on a reduced scale.

**1 Claim, 2 Drawing Sheets**



*Fig. 1*

