



US00D448703B1

(12) **United States Design Patent**
Lam

(10) **Patent No.:** **US D448,703 S**

(45) **Date of Patent:** **** Oct. 2, 2001**

(54) **CONVEX MAGNETIC BUTTON**

4,941,235 * 7/1990 Aoki 24/303

(76) Inventor: **Ying Shi Lam**, Block H, 12/F., Wah
Lik Industrial Centre, 459-469 Castle
Peak Rd., Tsuen Wan (HK)

* cited by examiner

Primary Examiner—Louis S. Zarfaz
Assistant Examiner—Barbara Wyatt Crawford
(74) *Attorney, Agent, or Firm*—Rabin & Berdo, P.C.

(**) Term: **14 Years**

(21) Appl. No.: **29/126,107**

(57) **CLAIM**

(22) Filed: **Jul. 11, 2000**

The ornamental design for a convex magnetic button, as shown and described.

(51) **LOC (7) Cl.** **02-07**

DESCRIPTION

(52) **U.S. Cl.** **D11/200**

(58) **Field of Search** D11/200, 201,
D11/202, 205, 220, 231; D8/349, 382;
24/303, 687, 688, 689; 292/251.5

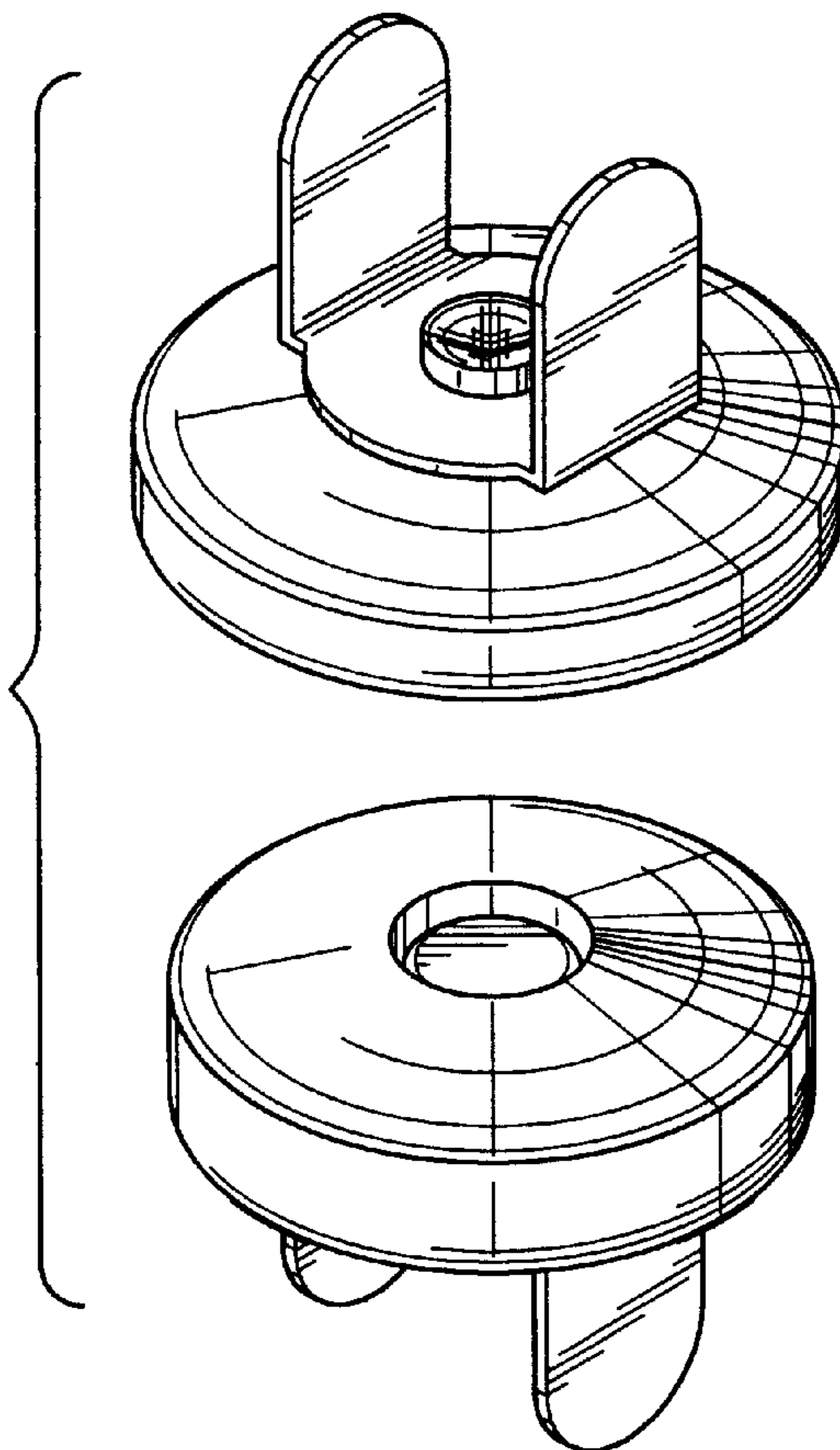
FIG. 1 is a perspective view of a convex magnetic button showing my new design;
FIG. 2 is an exploded perspective view;
FIG. 3 is a perspective view of the side opposite that shown in FIG. 1;
FIG. 4 is an exploded view of FIG. 3;
FIG. 5 is a front view of FIG. 1;
FIG. 6 is a rear view of FIG. 1;
FIG. 7 is a left side view of FIG. 1;
FIG. 8 is a right side view of FIG. 1;
FIG. 9 is a top plan view of FIG. 1; and,
FIG. 10 is a bottom plan view of FIG. 1.

(56) **References Cited**

U.S. PATENT DOCUMENTS

D. 360,391	*	7/1995	Aoki	D11/200
D. 400,429	*	11/1998	Morita	D11/220
D. 401,889	*	12/1998	Wong	D11/220
D. 425,444	*	5/2000	Koroki	D11/220
D. 431,453	*	10/2000	Chan	D11/200
4,453,294	*	6/1984	Morita	24/688
4,736,494	*	4/1988	Marchesi	24/303
4,779,314	*	10/1988	Aoki	24/303

1 Claim, 2 Drawing Sheets



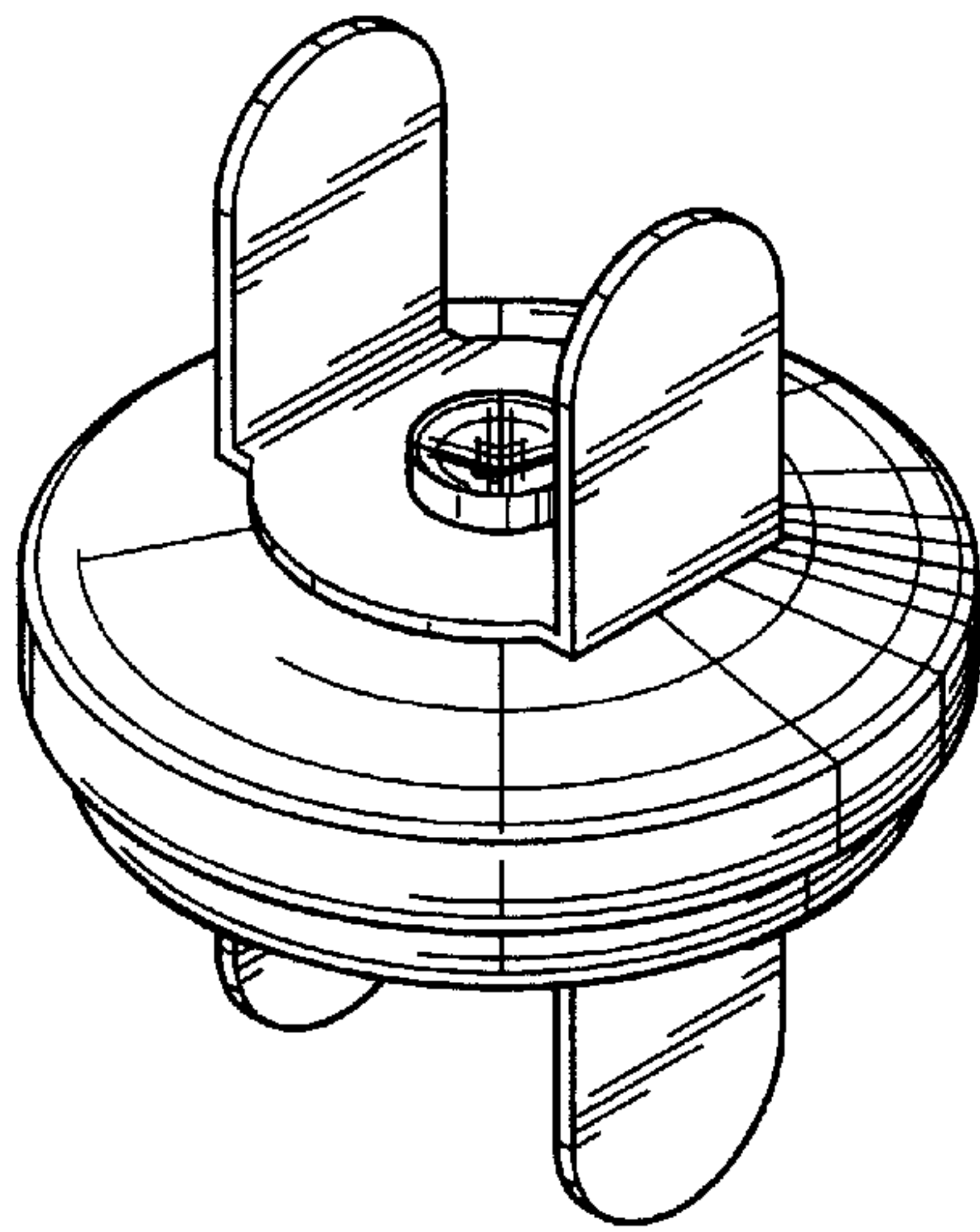


FIG. 1

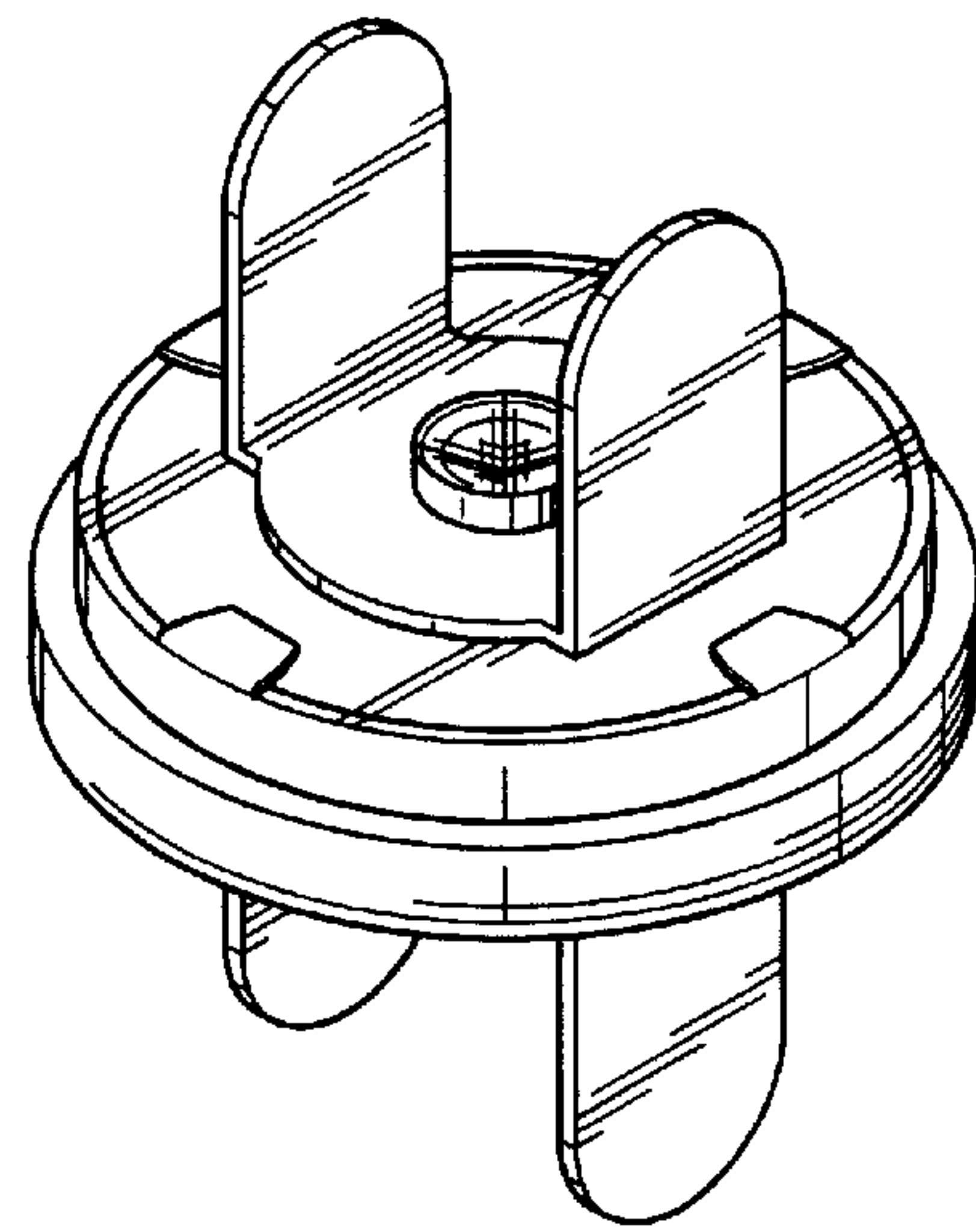


FIG. 3

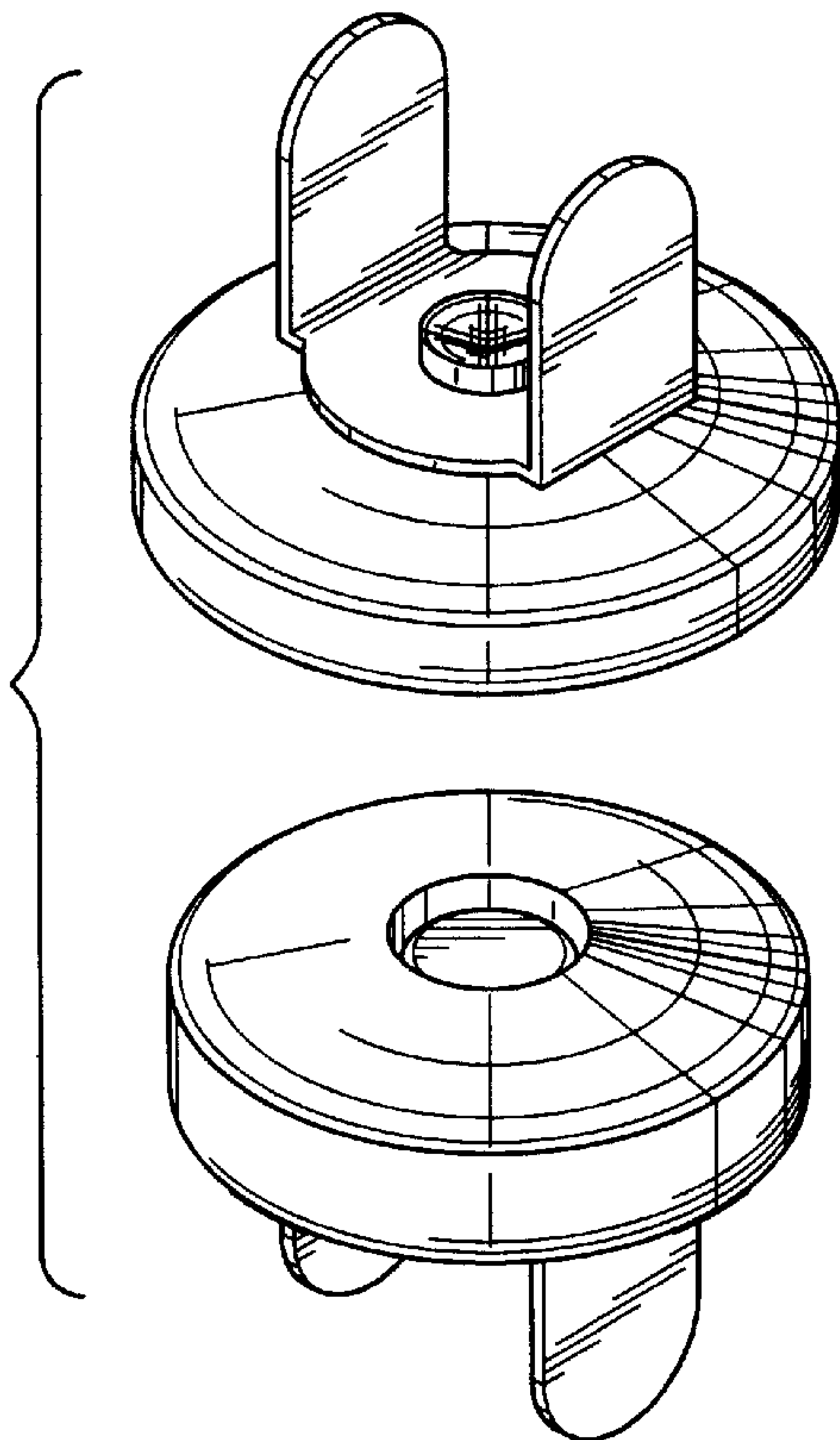


FIG. 2

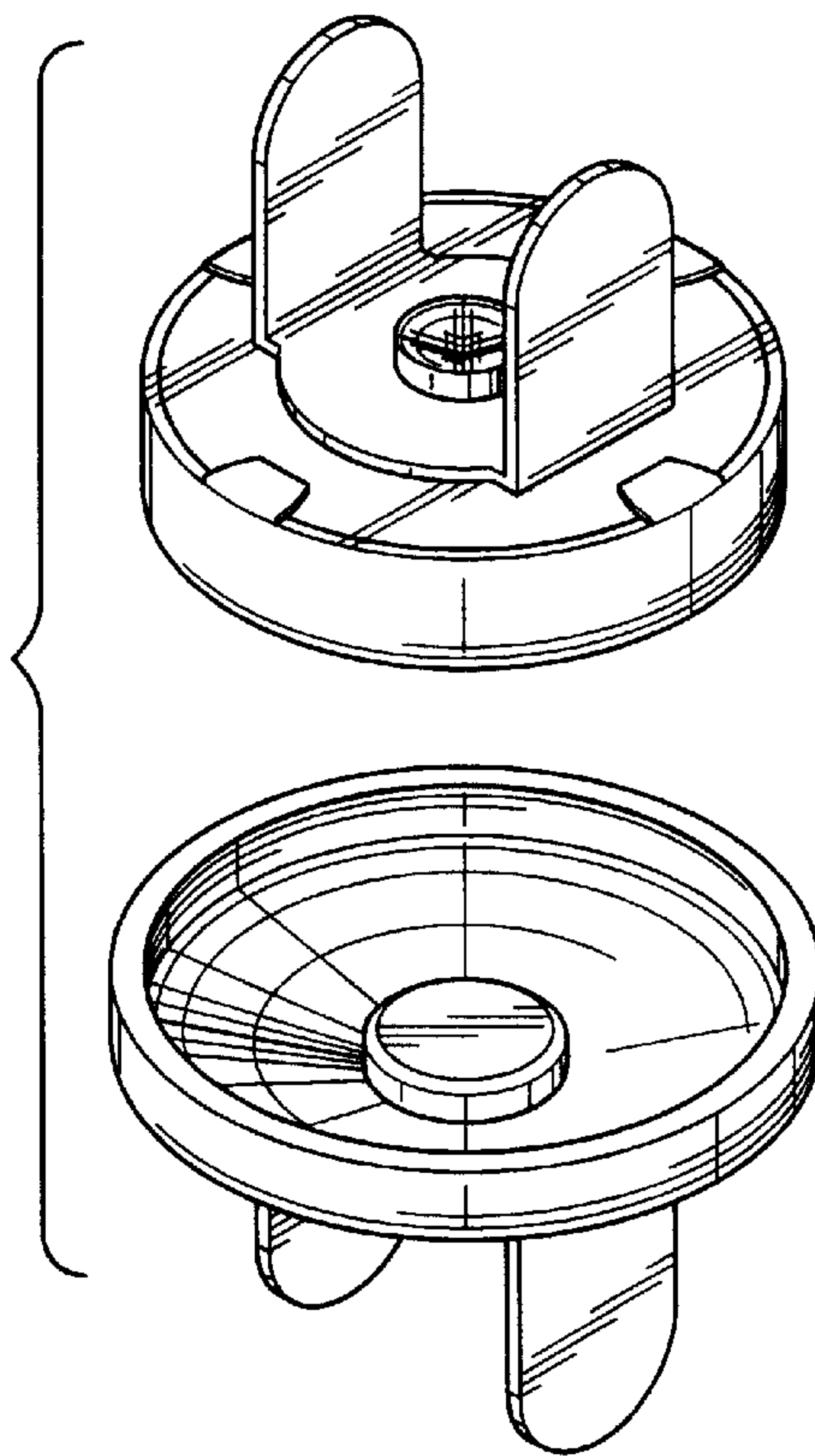


FIG. 4

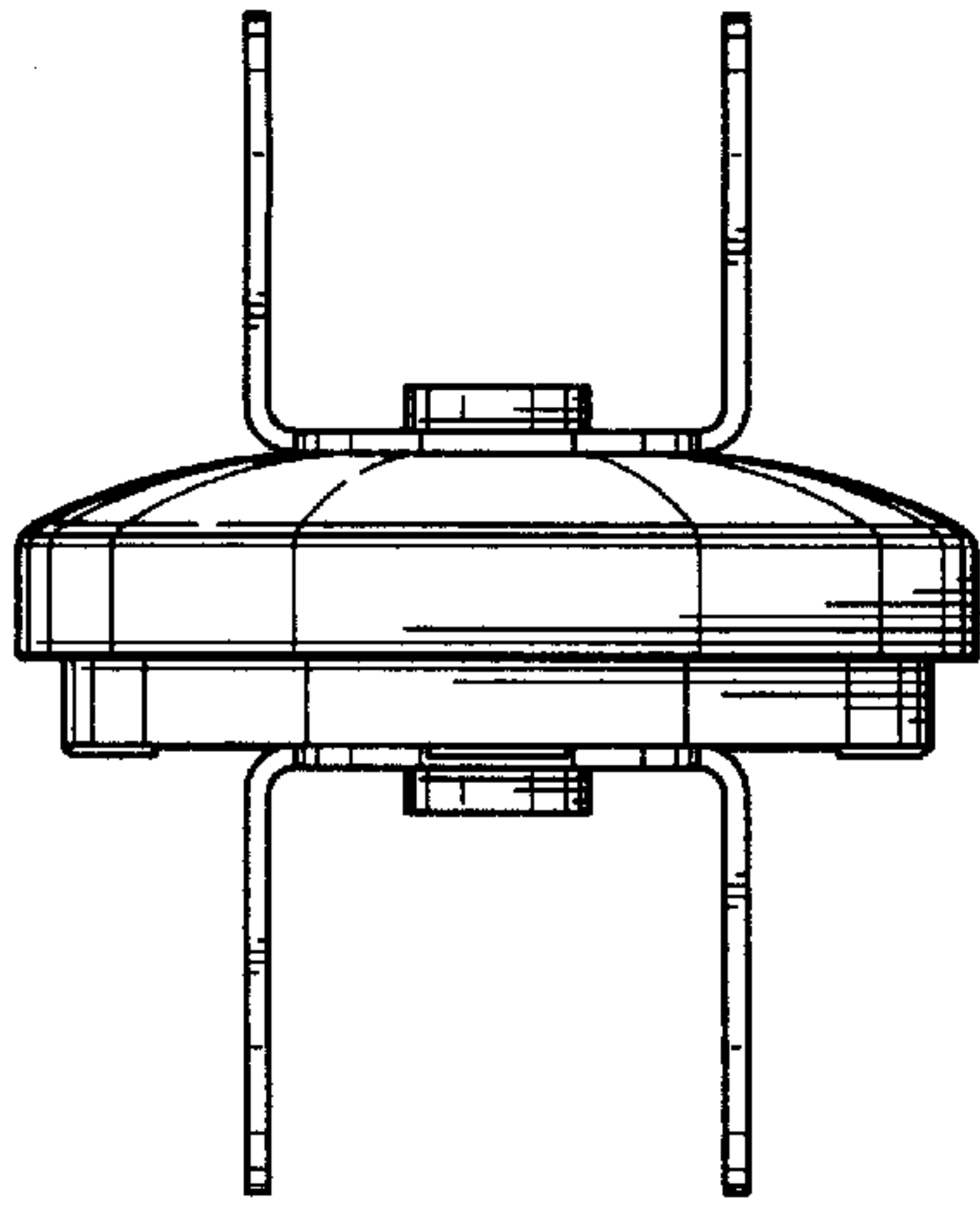


FIG. 5

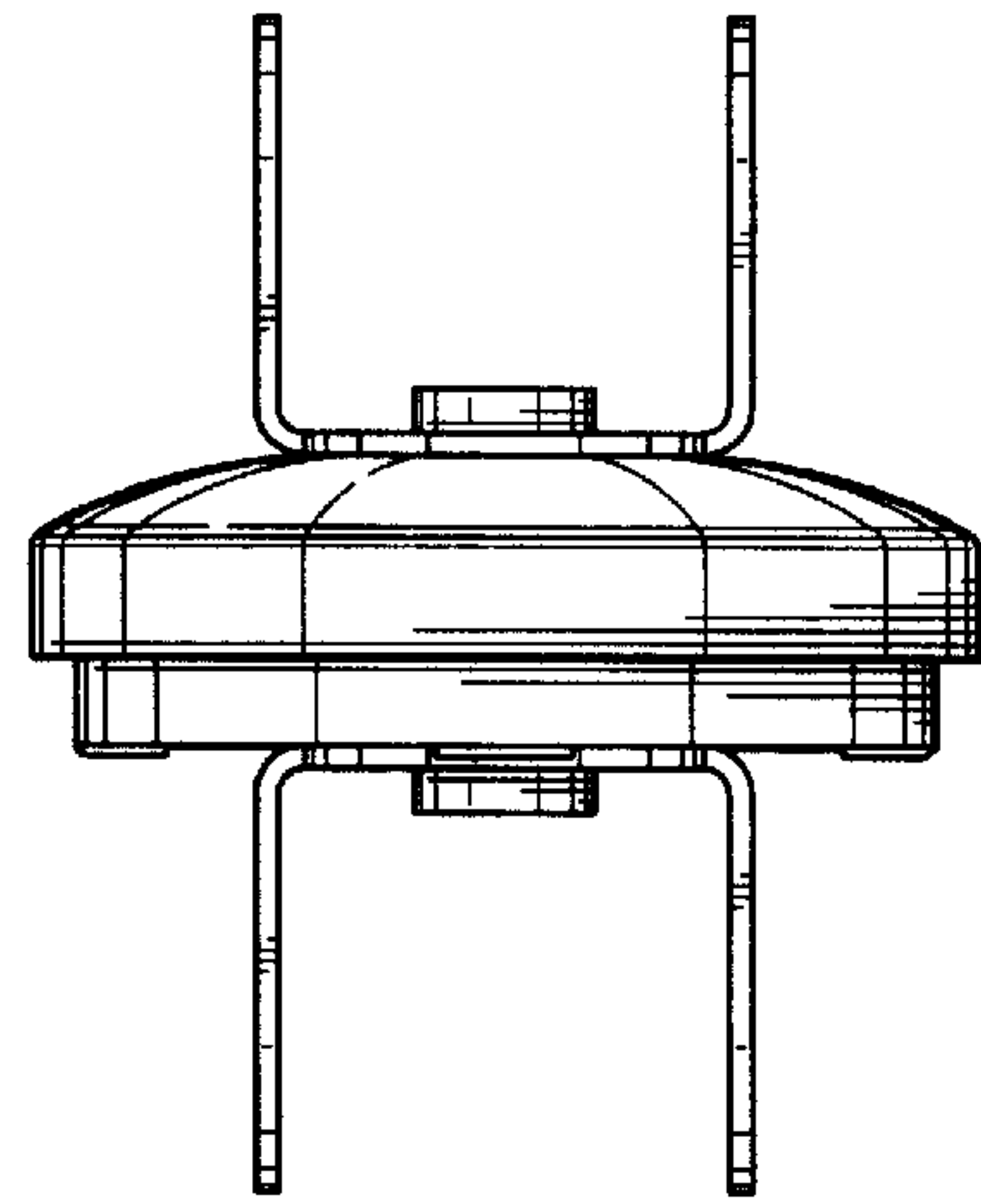


FIG. 6

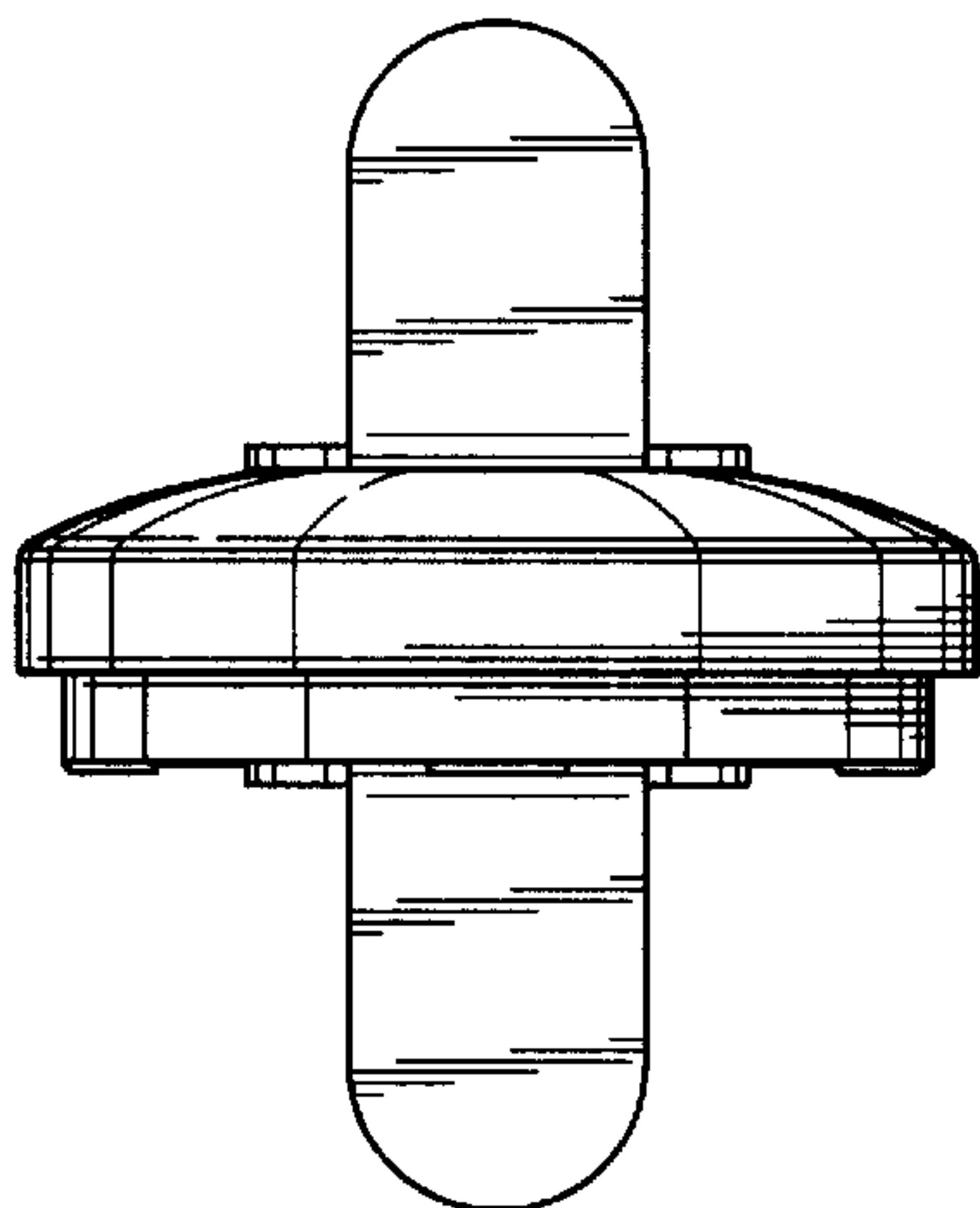


FIG. 7

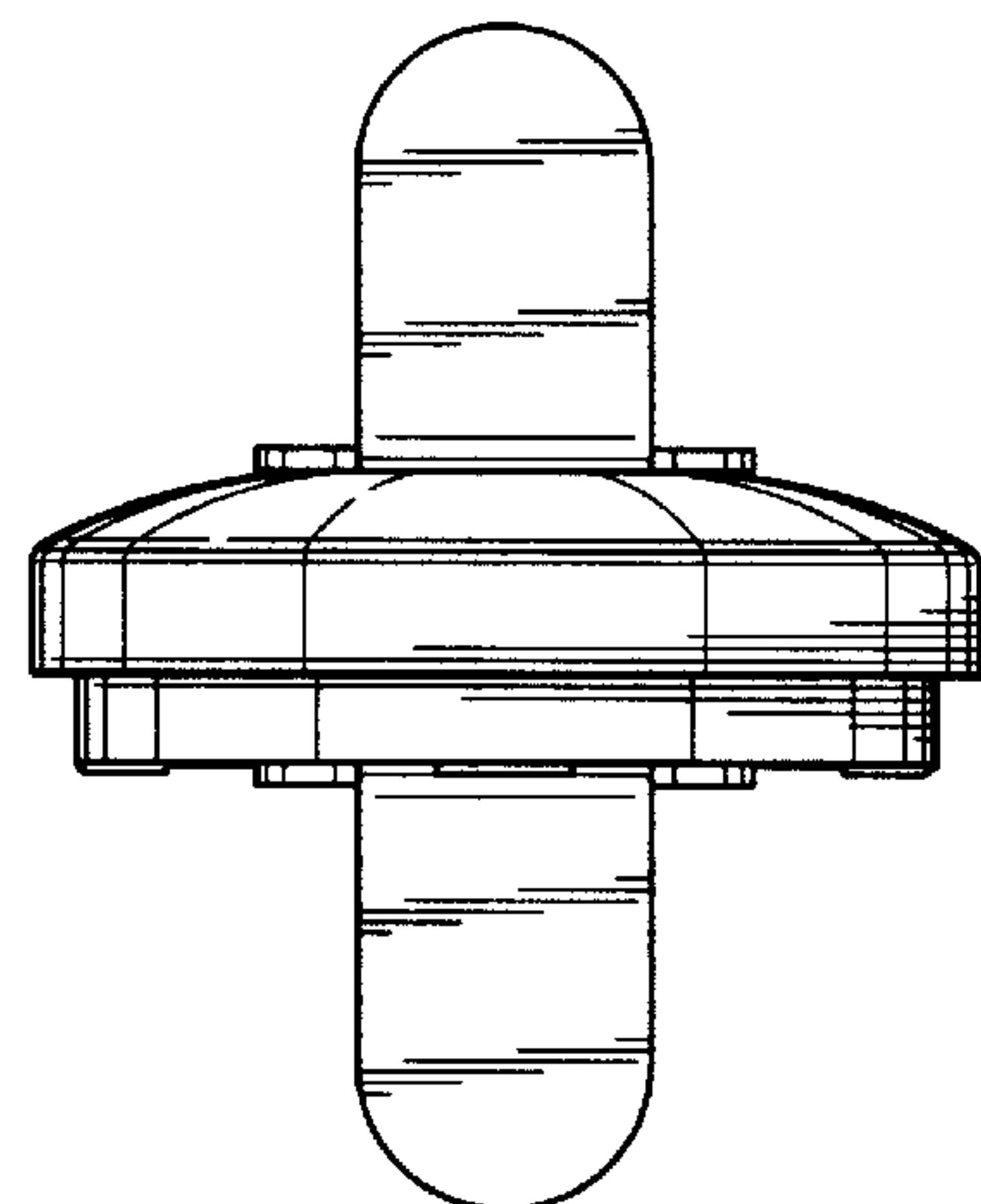


FIG. 8

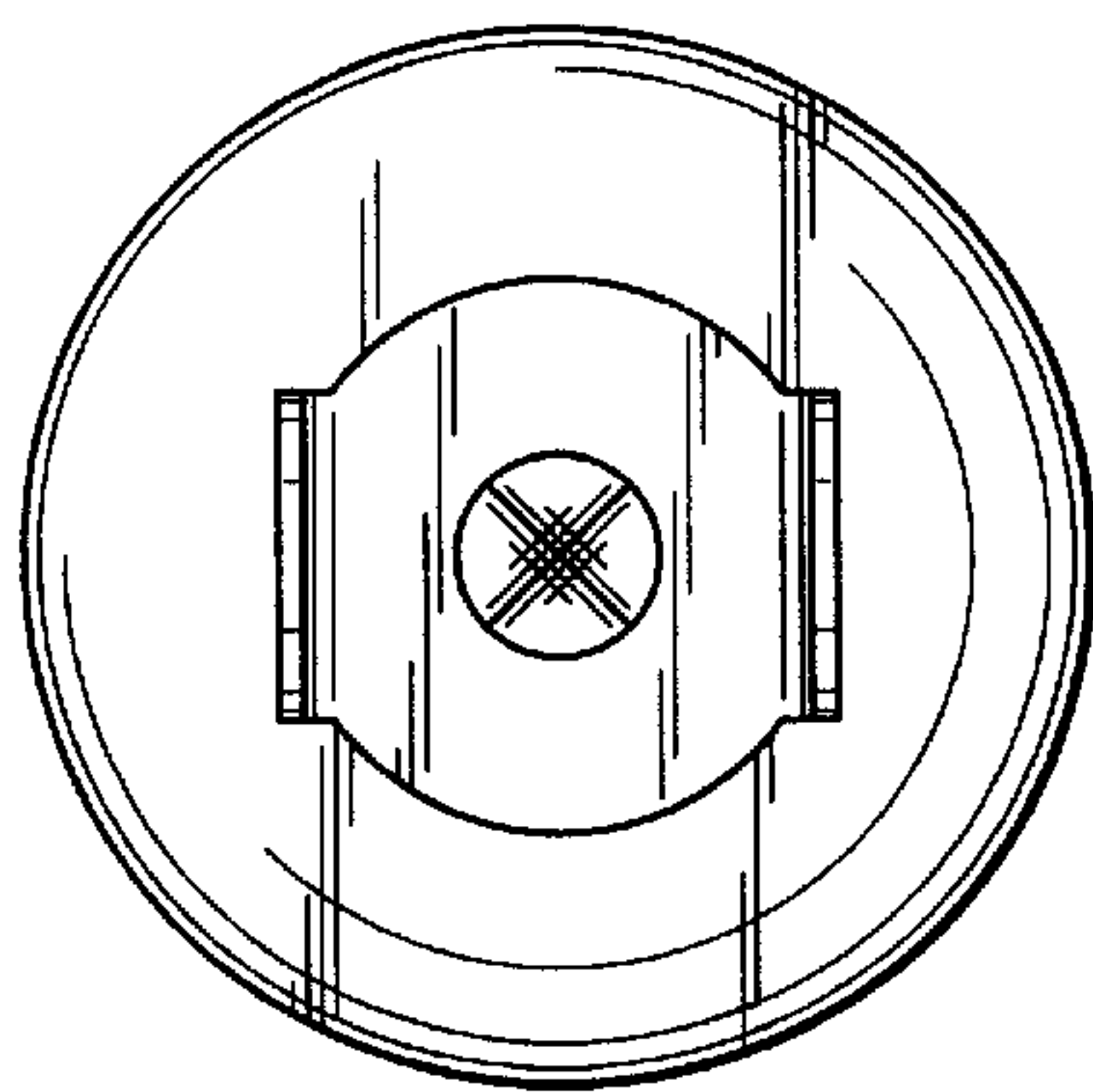


FIG. 9

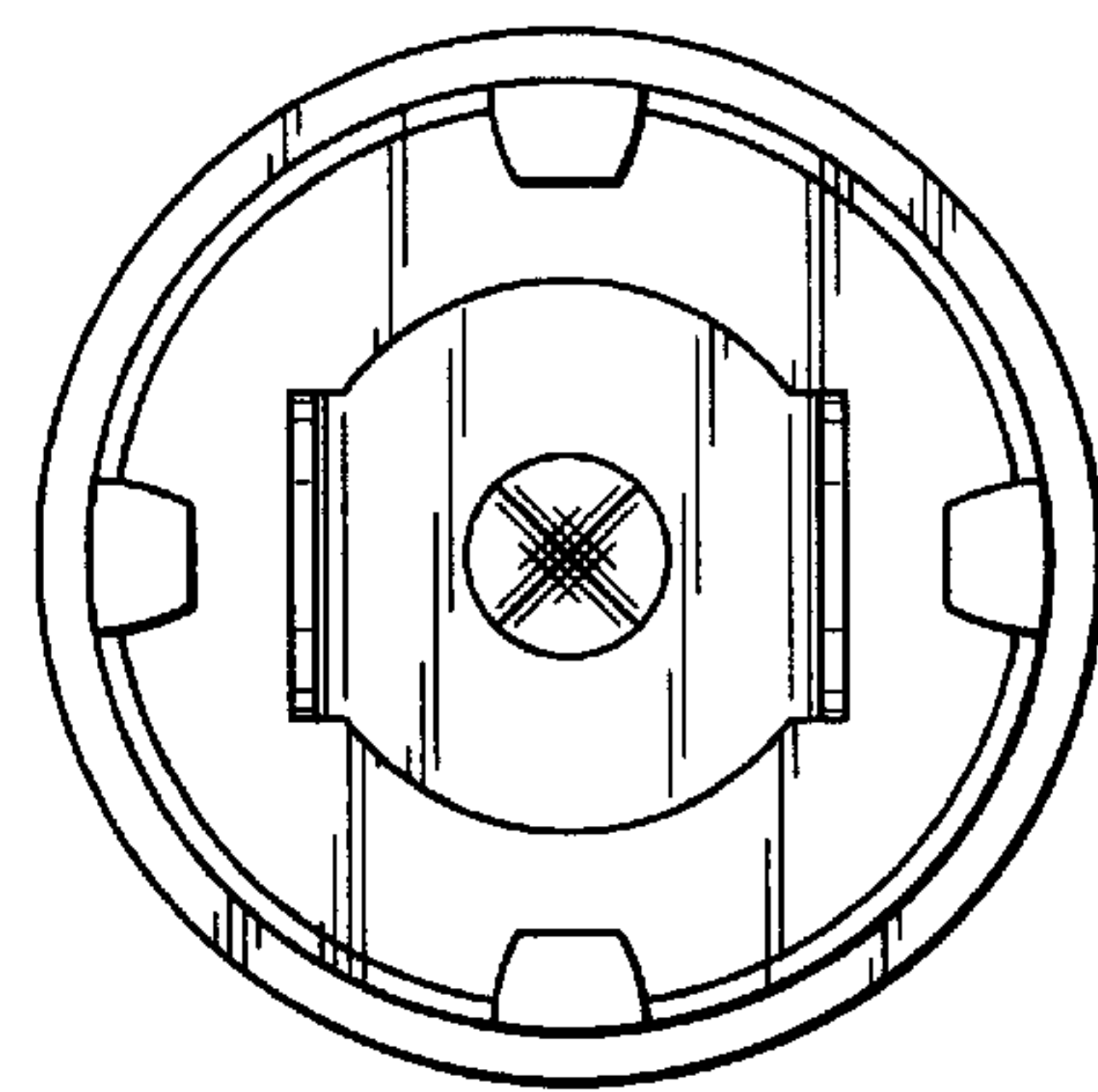


FIG. 10