



US00D448685B1

(12) **United States Design Patent**  
**Gardiner et al.**

(10) **Patent No.:** **US D448,685 S**

(45) **Date of Patent:** **\*\* Oct. 2, 2001**

(54) **MODULE FOR MULTI-FUNCTION EQUIPMENT**

(75) **Inventors:** **Walter A. Gardiner**, Waccabuc, NY (US); **Joseph A. Hufnagel**, Bethel, CT (US); **James J. Economos**, Kingston, NY (US); **James O. Quinn**, Montgomery, NY (US); **Robert S. Englert**, Syracuse, NY (US); **Scott W. Osiecki**, Skaneateles, NY (US)

(73) **Assignee:** **Imperial Schrade Corp.**, Ellenville, NY (US)

(\*\*) **Term:** **14 Years**

(21) **Appl. No.:** **29/134,627**

(22) **Filed:** **Dec. 26, 2000**

(51) **LOC (7) Cl.** ..... **10-04**

(52) **U.S. Cl.** ..... **D10/62; D10/68**

(58) **Field of Search** ..... D10/62, 65, 68; 33/273, 355 R, 364; 224/152, 235, 240, 252, 269; 368/101, 276, 277, 278; 374/141, 142, 208; 446/28

(56) **References Cited**

**U.S. PATENT DOCUMENTS**

- D. 283,682 5/1986 Raitmaa .
- D. 290,093 6/1987 Kramer .
- D. 308,488 6/1990 Iden .

- D. 310,787 9/1990 Iden .
- D. 310,970 10/1990 Iden .
- D. 333,626 \* 3/1993 Chang ..... D10/68 X
- D. 356,965 \* 4/1995 Chang ..... D10/62
- D. 375,693 \* 11/1996 Chang ..... D10/62
- D. 386,699 11/1997 Lindman .
- 4,250,627 2/1981 Järvenpää et al. .

**OTHER PUBLICATIONS**

The Sharper Image Catalog, "Zytool", Aug. 2000, p. 3.

\* cited by examiner

*Primary Examiner*—Antoine Duval Davis

(74) *Attorney, Agent, or Firm*—SAIDMAN DesignLaw Group

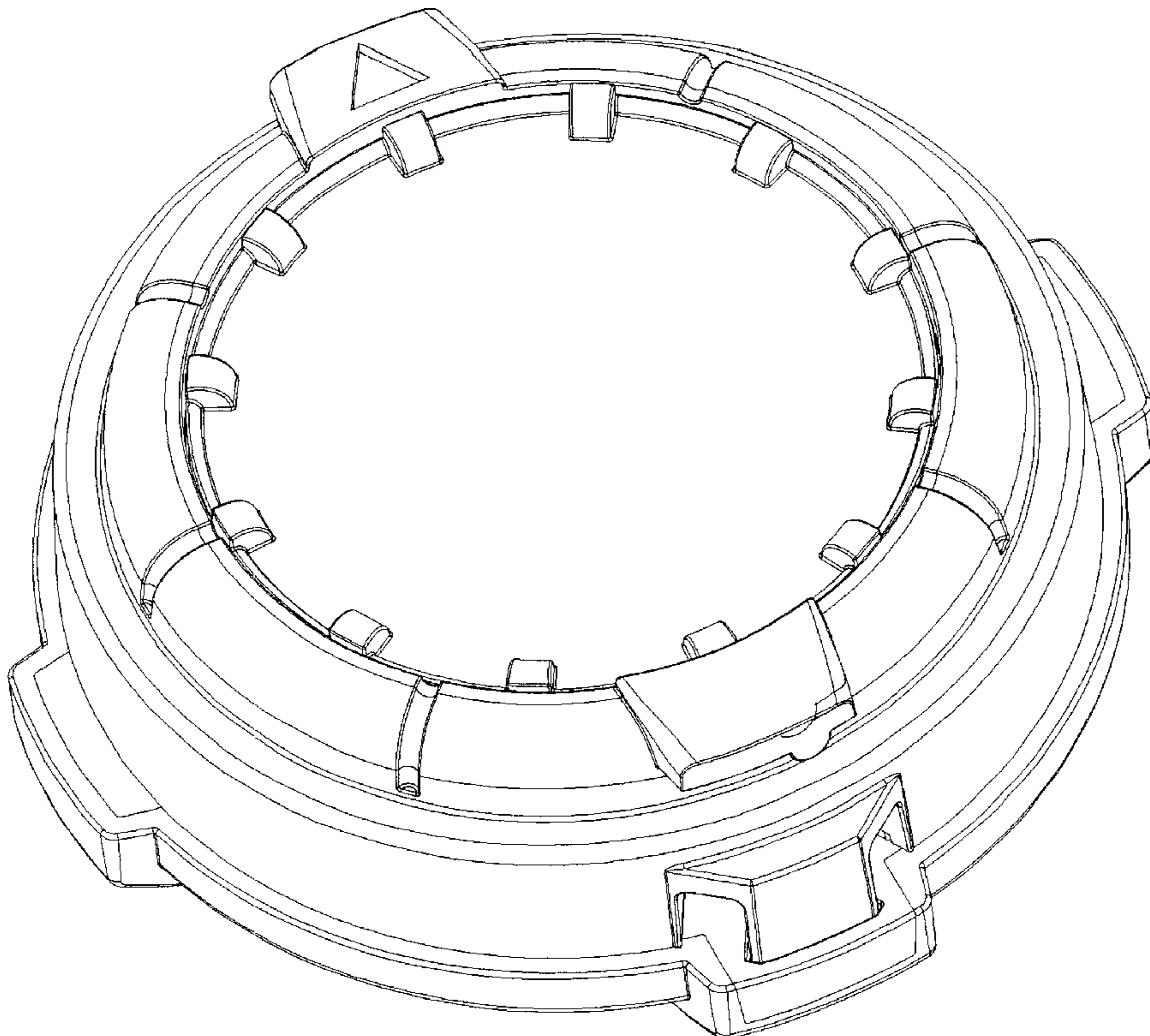
(57) **CLAIM**

The ornamental design for a module for multi-function equipment, as shown.

**DESCRIPTION**

FIG. 1 is a top perspective view of a module for multi-function equipment showing our new design; FIG. 2 is a bottom perspective view thereof; FIG. 3 is a top view thereof; FIG. 4 is a bottom view thereof; FIG. 5 is a front view thereof; FIG. 6 is a rear view thereof; FIG. 7 is a left side view thereof; and, FIG. 8 is a right side view thereof.

**1 Claim, 6 Drawing Sheets**



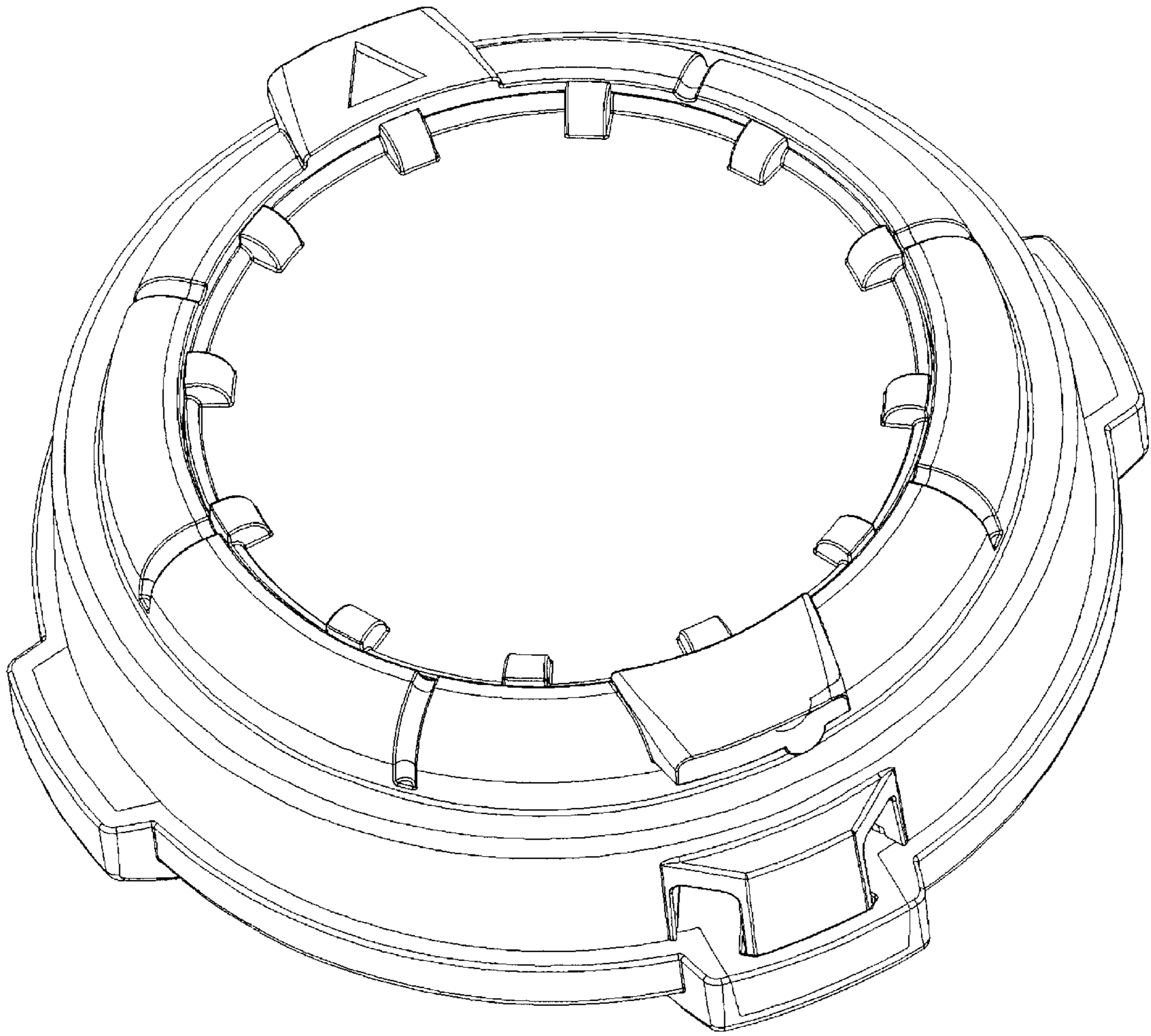


FIG. 1

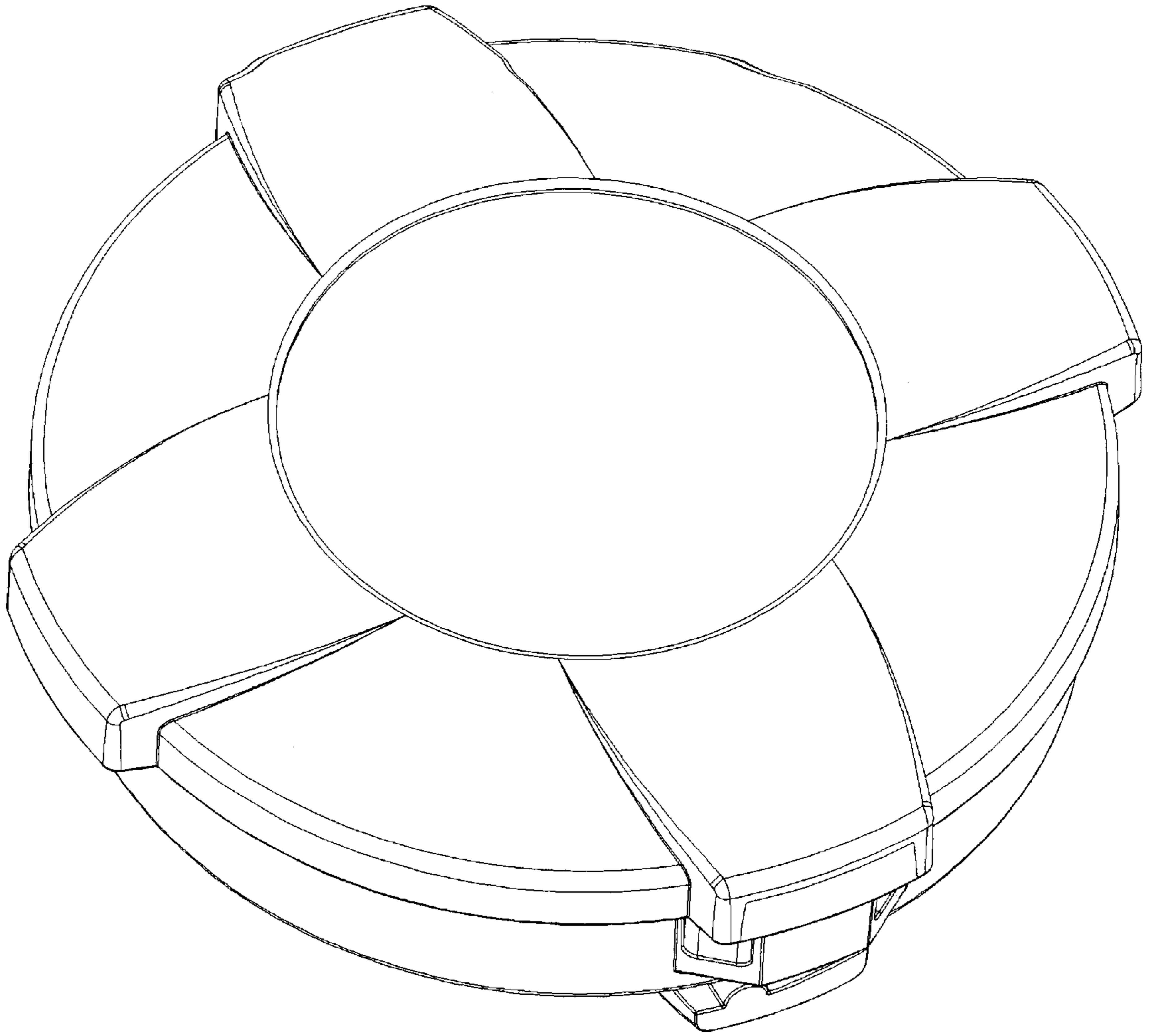


FIG. 2

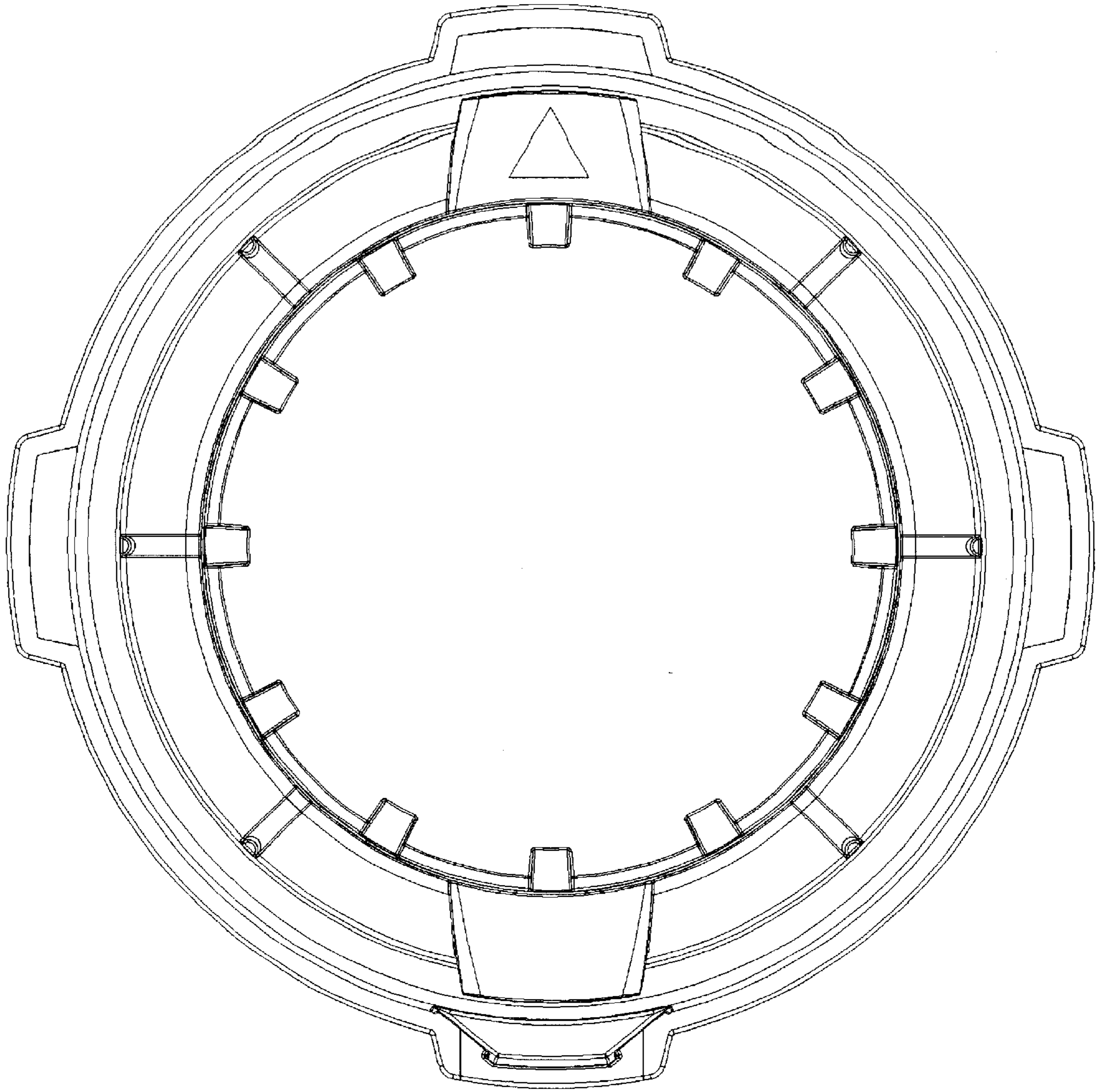


FIG. 3

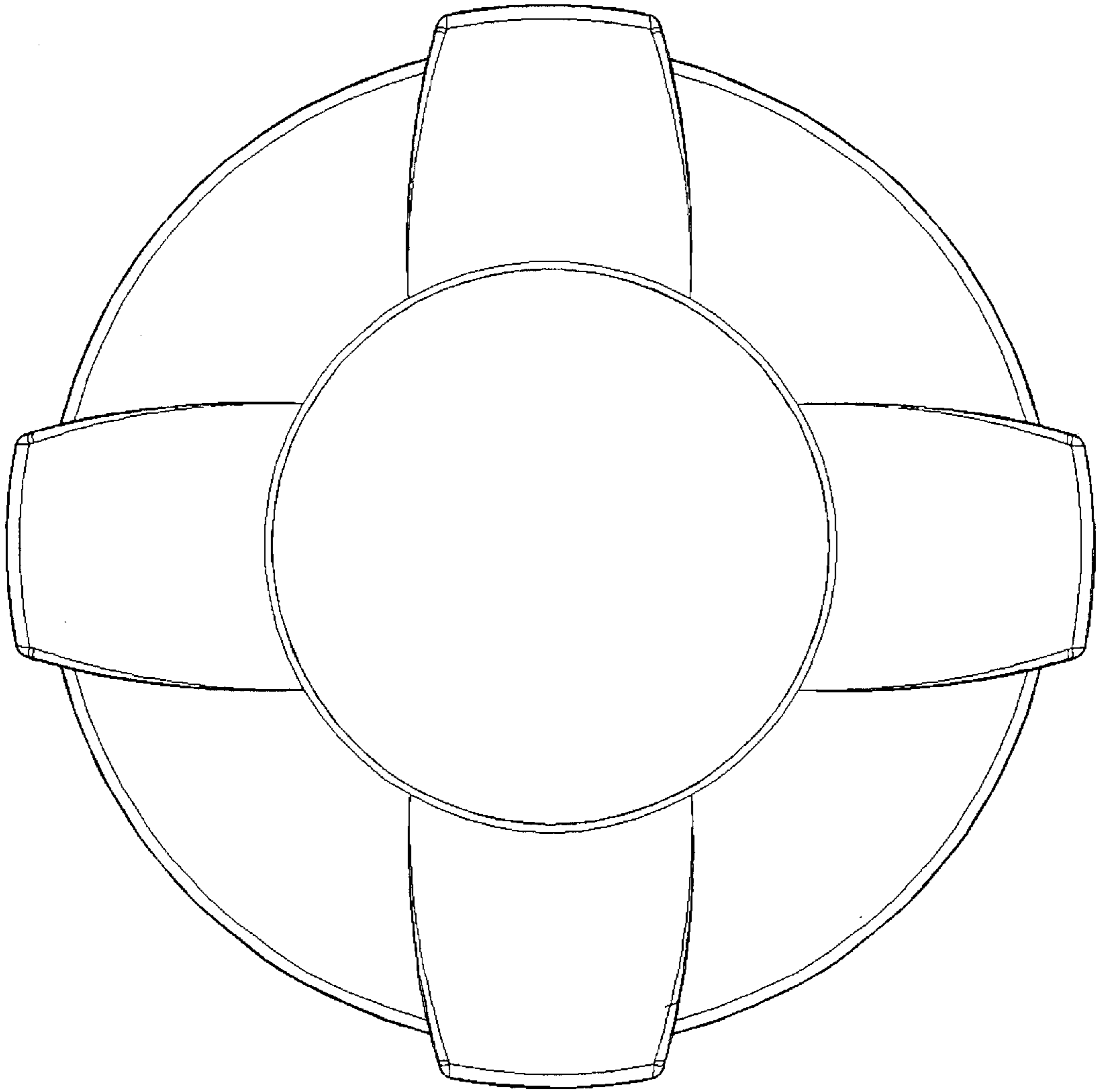


FIG. 4

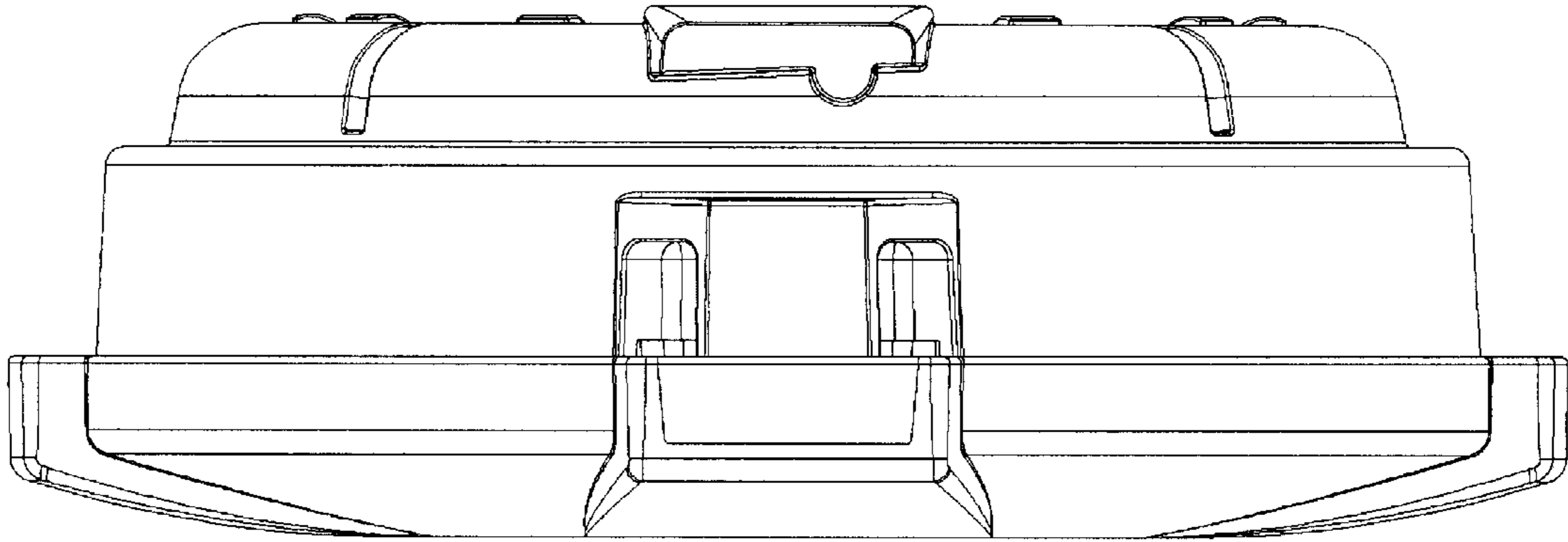


FIG. 5

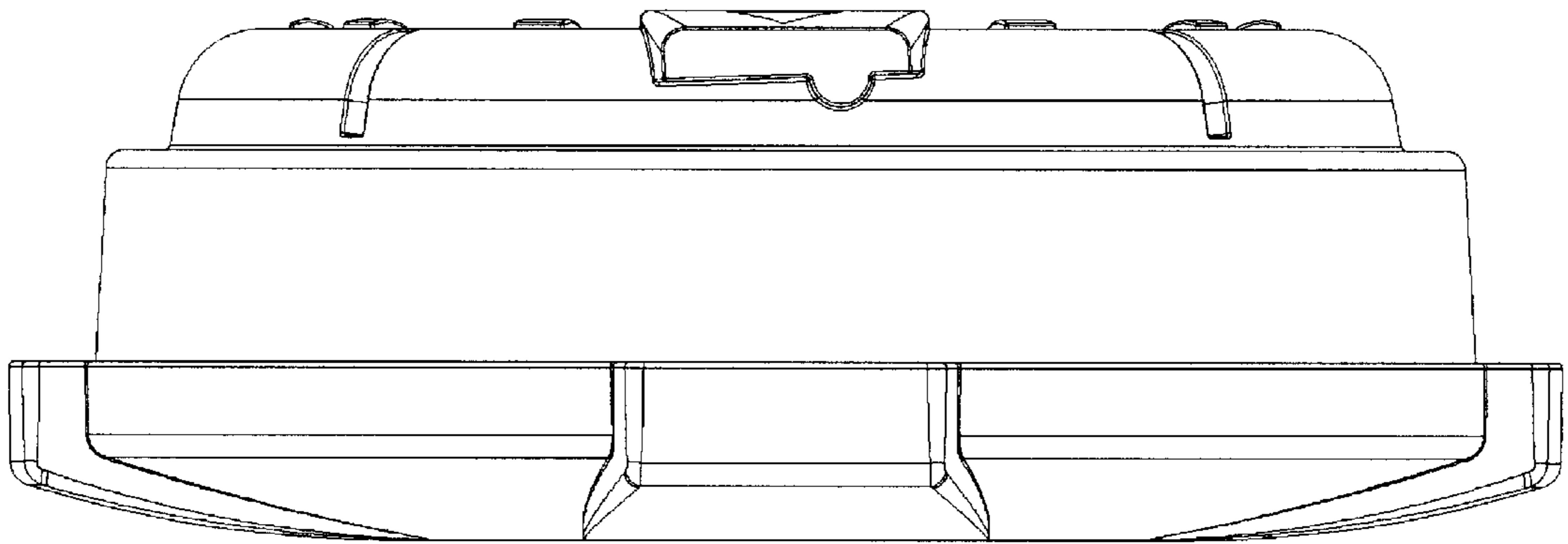


FIG. 6

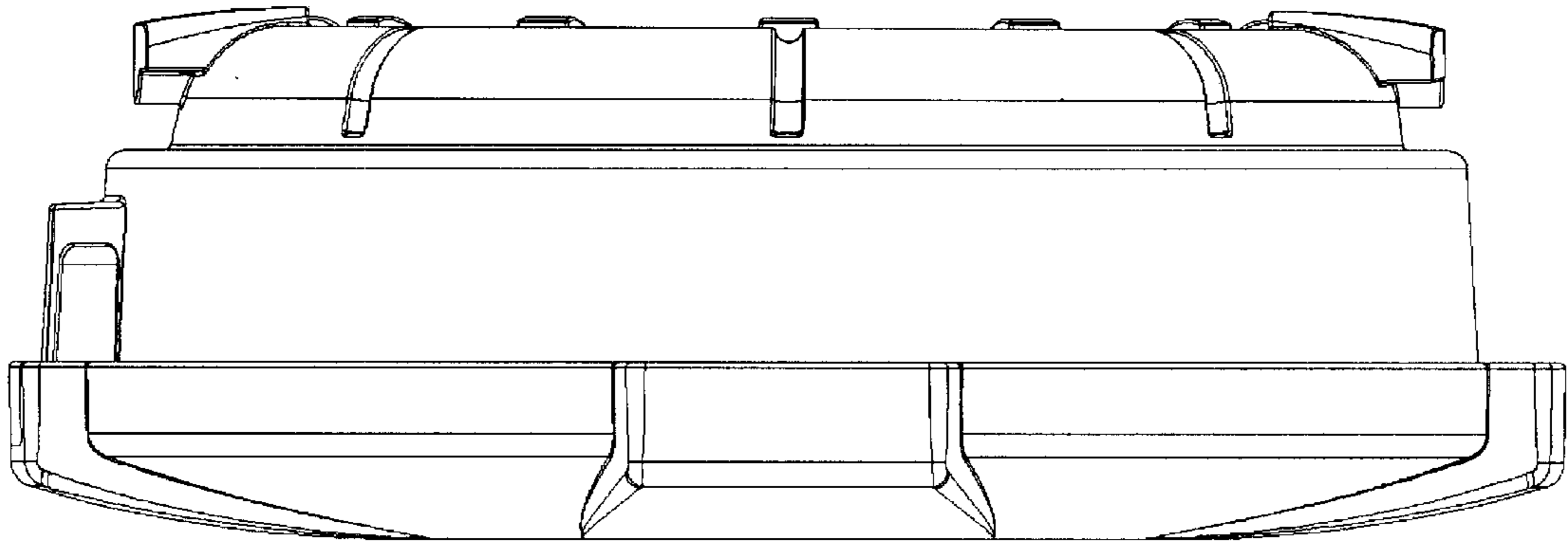


FIG. 7

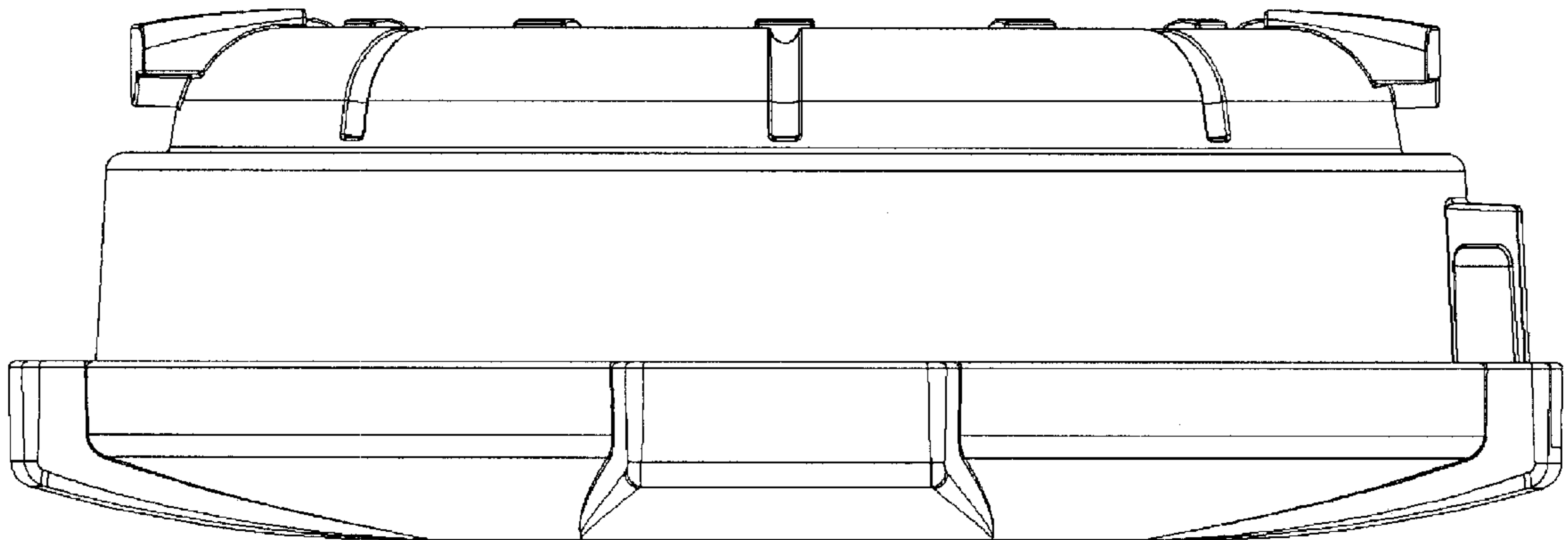


FIG. 8