



US00D448683B1

(12) **United States Design Patent**
Hui

(10) **Patent No.:** **US D448,683 S**

(45) **Date of Patent:** **** Oct. 2, 2001**

(54) **OUTDOOR THERMOMETER**

(75) **Inventor:** **Chi Ming Hui, Tsuen Wan (HK)**

(73) **Assignee:** **Chi Bon Metal & Plastic
Manufactory Limited, Tsuen Wan
(HK)**

(**) **Term:** **14 Years**

(21) **Appl. No.:** **29/132,991**

(22) **Filed:** **Nov. 20, 2000**

(51) **LOC (7) Cl.** **10-04**

(52) **U.S. Cl.** **D10/57**

(58) **Field of Search** D10/57, 58; 374/186,
374/187, 192, 208

(56) **References Cited**

U.S. PATENT DOCUMENTS

D. 300,008 * 2/1989 Zalman D10/57

D. 308,343 * 6/1990 Aloise et al. D10/57

D. 338,413 * 8/1993 Clambella D10/57
4,973,170 * 11/1990 Bescherer et al. 374/208

* cited by examiner

Primary Examiner—Antoine Duval Davis

(74) *Attorney, Agent, or Firm*—Salter & Michaelson

(57) **CLAIM**

The ornamental design for an outdoor thermometer, as shown and described.

DESCRIPTION

FIG. 1 is a perspective view shown of an outdoor thermometer showing my new design;

FIG. 2 is a front perspective view thereof;

FIG. 3 is a rear perspective view thereof; and,

FIG. 4 is a side elevational view with the opposite sides being mirror images thereof.

The portions shown in broken lines are included for illustrative purposes only and form no part of the claimed design.

1 Claim, 4 Drawing Sheets

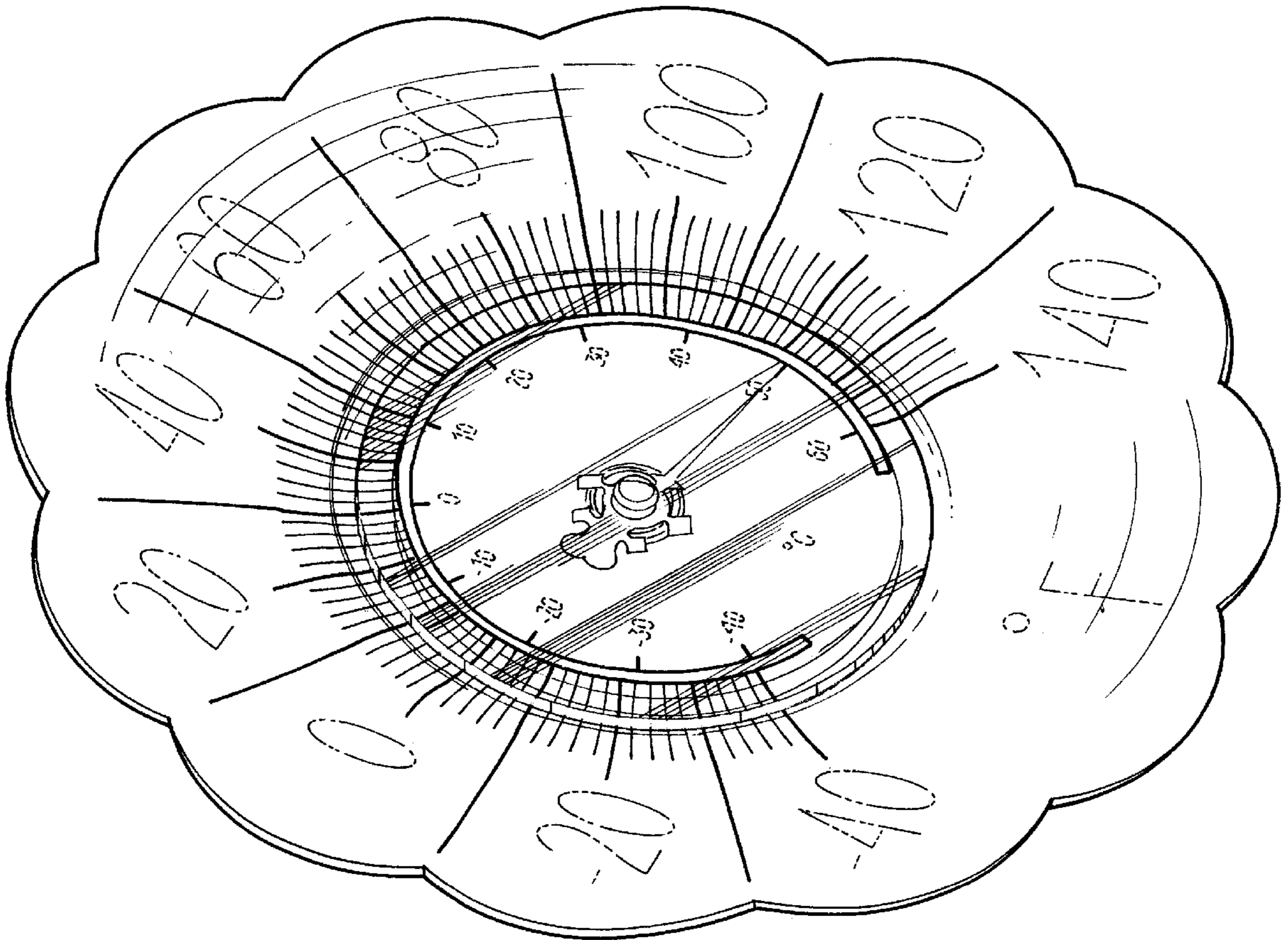


FIG. 1

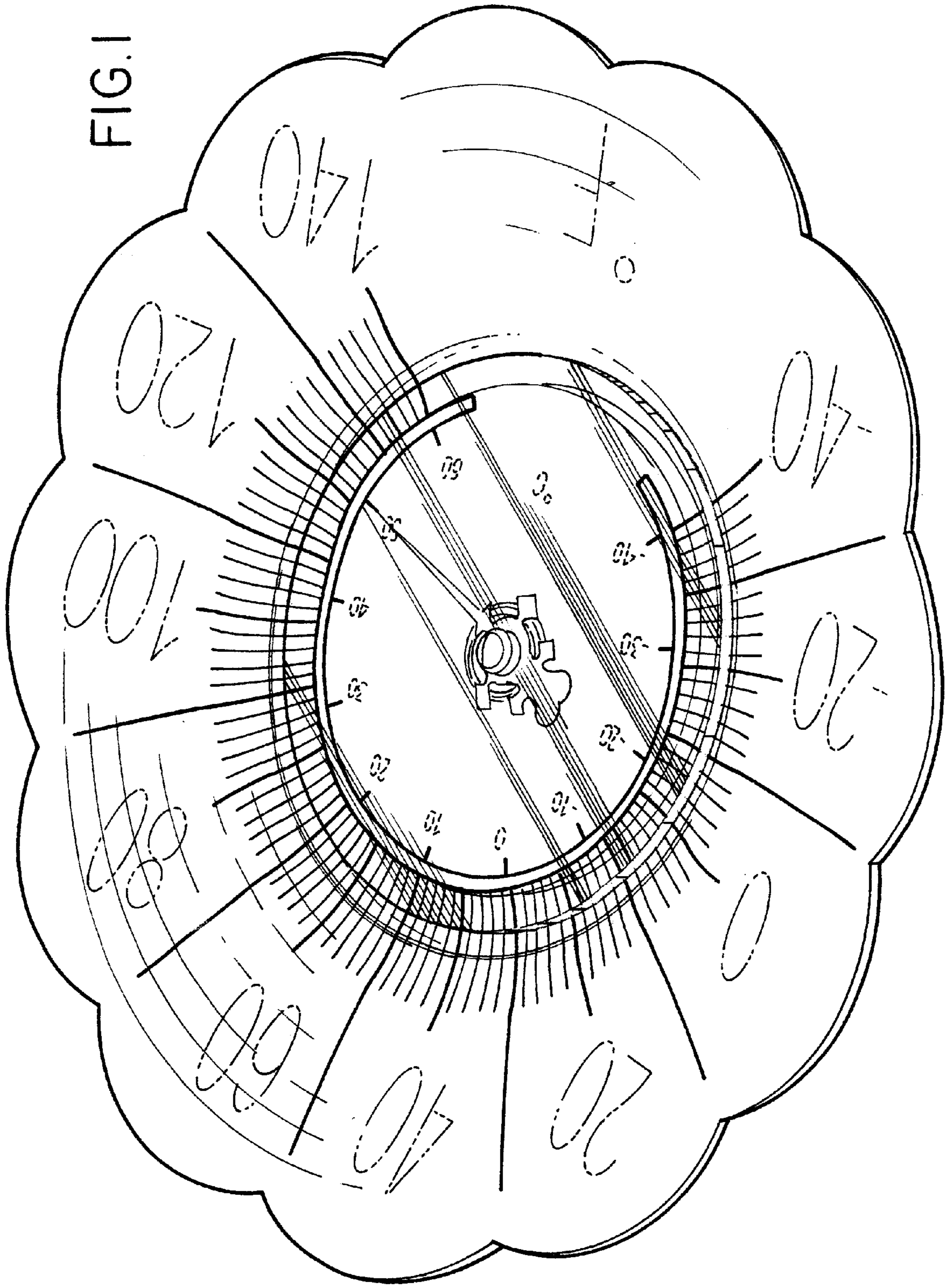


FIG. 2

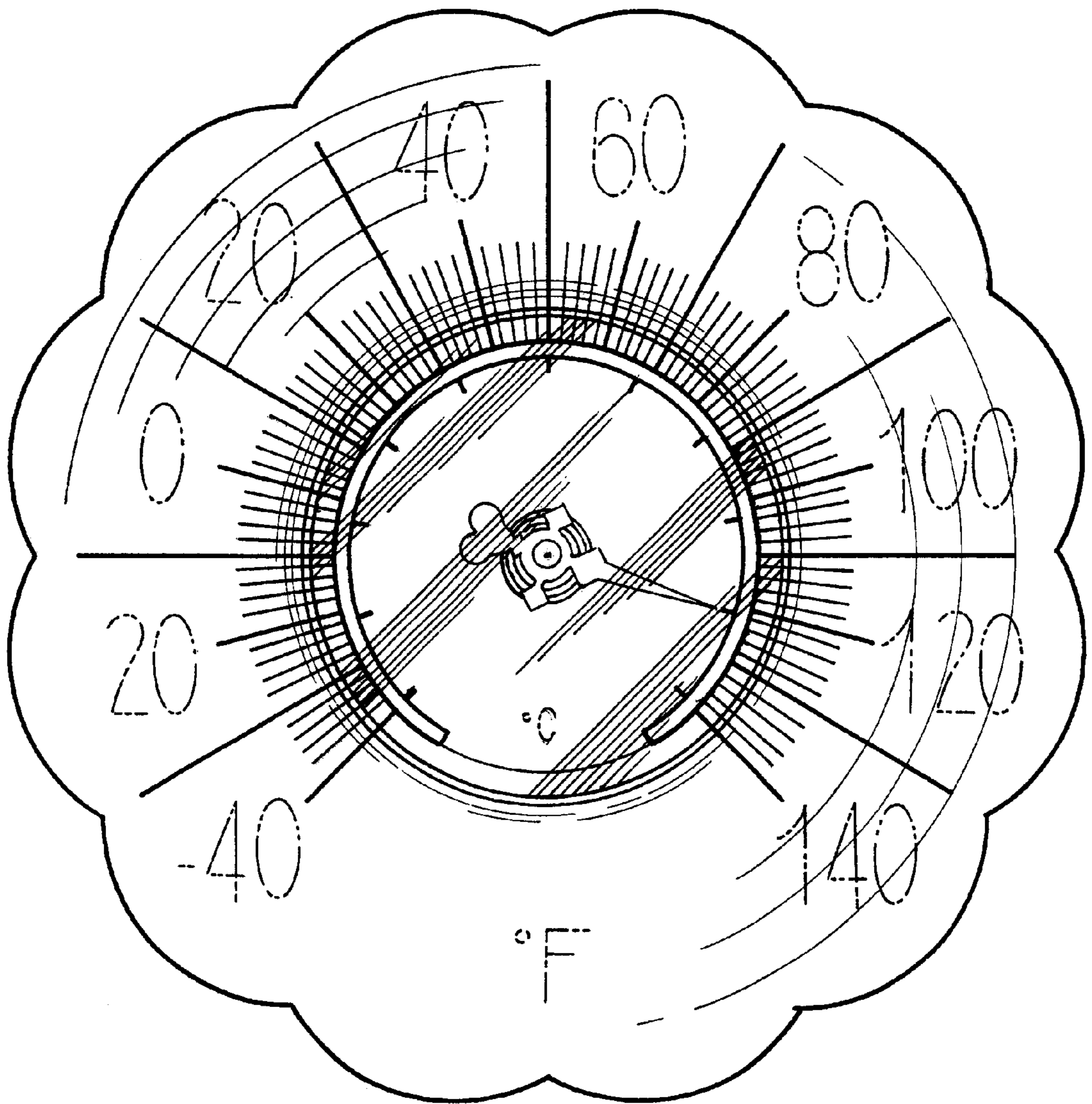
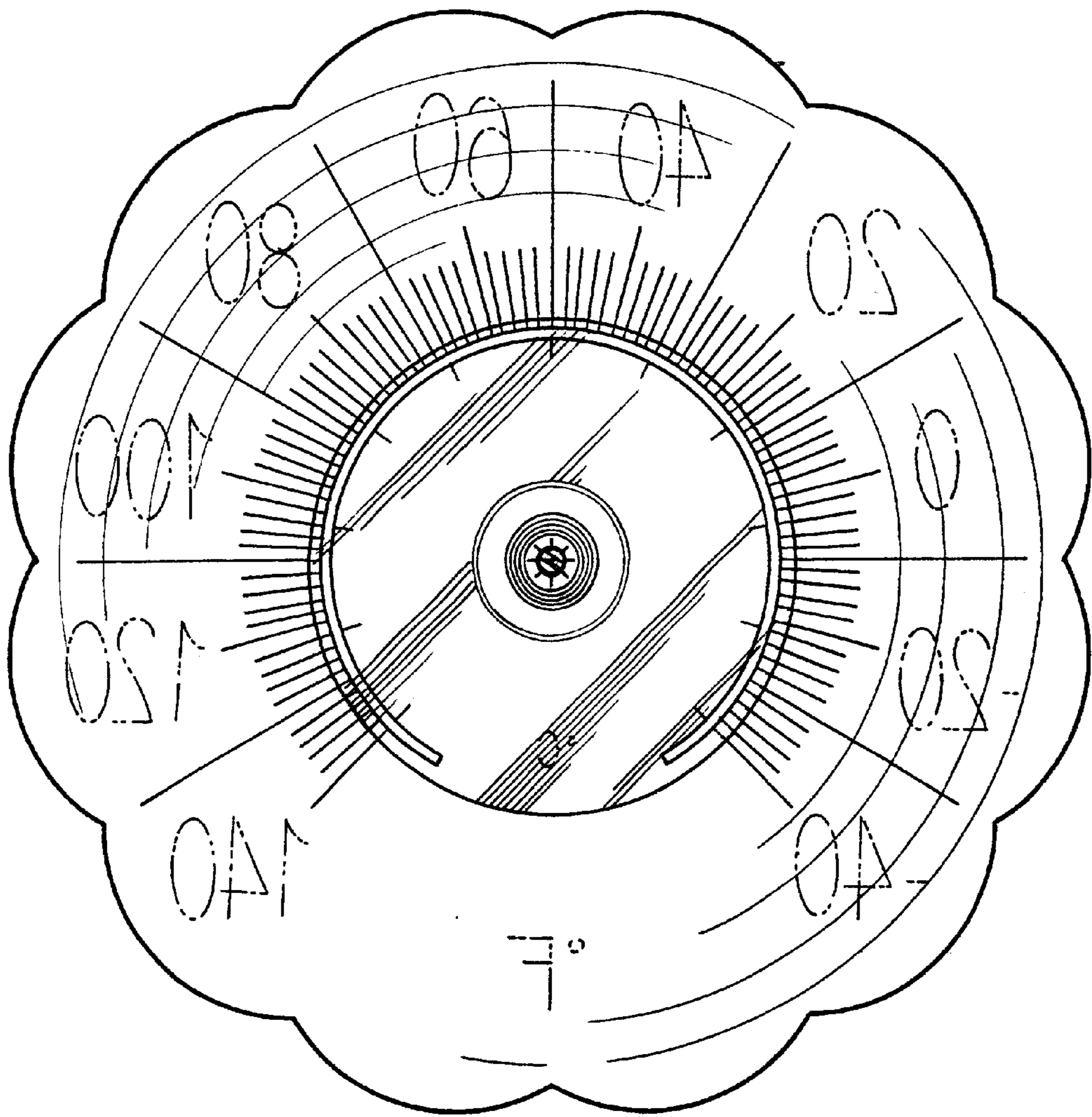


FIG. 3



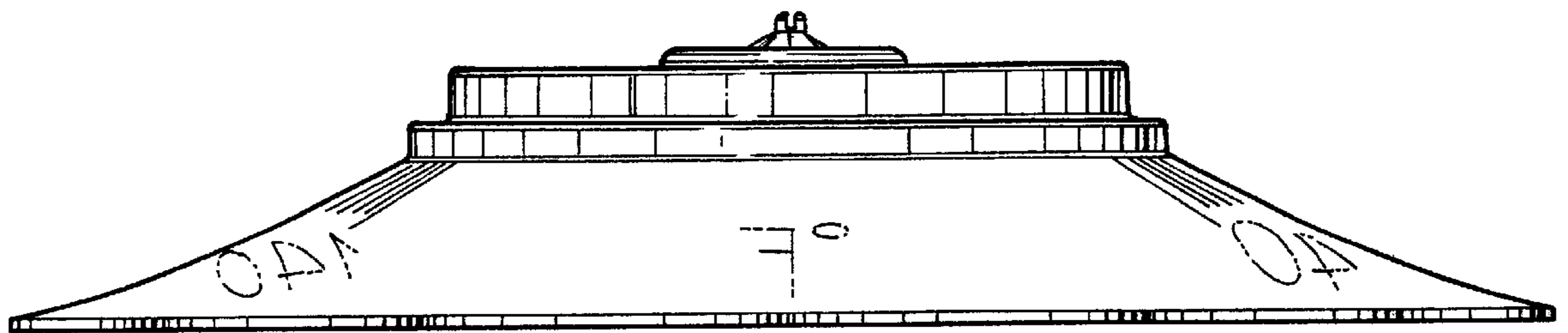


FIG. 4