



US00D448662B1

(12) **United States Design Patent**  
**Collins et al.**

(10) **Patent No.:** **US D448,662 S**

(45) **Date of Patent:** **\*\* Oct. 2, 2001**

(54) **TUB WITH LID**

(75) Inventors: **Steve Collins**, Gillingham (GB); **Ian McDonald**, Redhill (DE); **Rob Van Ravensteijn**, Den Haag (NL); **Frank Massia**, Cologne (DE)

(73) Assignee: **Henkel Kommanditgesellschaft auf Aktien**, Duesseldorf (DE)

(\* ) Notice: This patent is subject to a terminal disclaimer.

(\*\*) Term: **14 Years**

(21) Appl. No.: **29/096,463**

(22) Filed: **Nov. 13, 1998**

(30) **Foreign Application Priority Data**

May 13, 1998 (XH) ..... DM/043 974

(51) **LOC (7) Cl.** ..... **09-03**

(52) **U.S. Cl.** ..... **D9/425**

(58) **Field of Search** ..... D9/420-425, 432, D9/337, 414, 418; D3/273, 294; D7/629; 206/508, 503; 220/4.21, 4.26, 253, 780, 781, 789-806, 376, 380, 674, 675

(56) **References Cited**

**U.S. PATENT DOCUMENTS**

D. 330,161 \* 10/1992 Achuh ..... D9/423

D. 363,663 \* 10/1995 Plater ..... D9/425  
D. 409,484 \* 5/1999 Tasker ..... D9/425  
D. 412,439 \* 8/1999 Cormack ..... D9/425  
2,880,859 \* 4/1959 Tupper ..... 220/789 X  
4,787,527 \* 11/1988 Monetti ..... 220/557  
4,819,824 \* 4/1989 Longbottom et al. .... 220/783 X  
5,036,997 \* 8/1991 May et al. .... 220/832  
5,366,104 \* 11/1994 Armstrong ..... 220/832

\* cited by examiner

*Primary Examiner*—Prabhakar Deshmukh  
(74) *Attorney, Agent, or Firm*—Wayne C. Jaeschke; Stephen D. Harper; Kenneth Watov

(57) **CLAIM**

The ornamental design for tub with lid, as shown and described.

**DESCRIPTION**

FIG. 1 is a perspective view of the tub with lid showing our new design;

FIG. 2 is a bottom plan view thereof;

FIG. 3 is a back elevational view thereof;

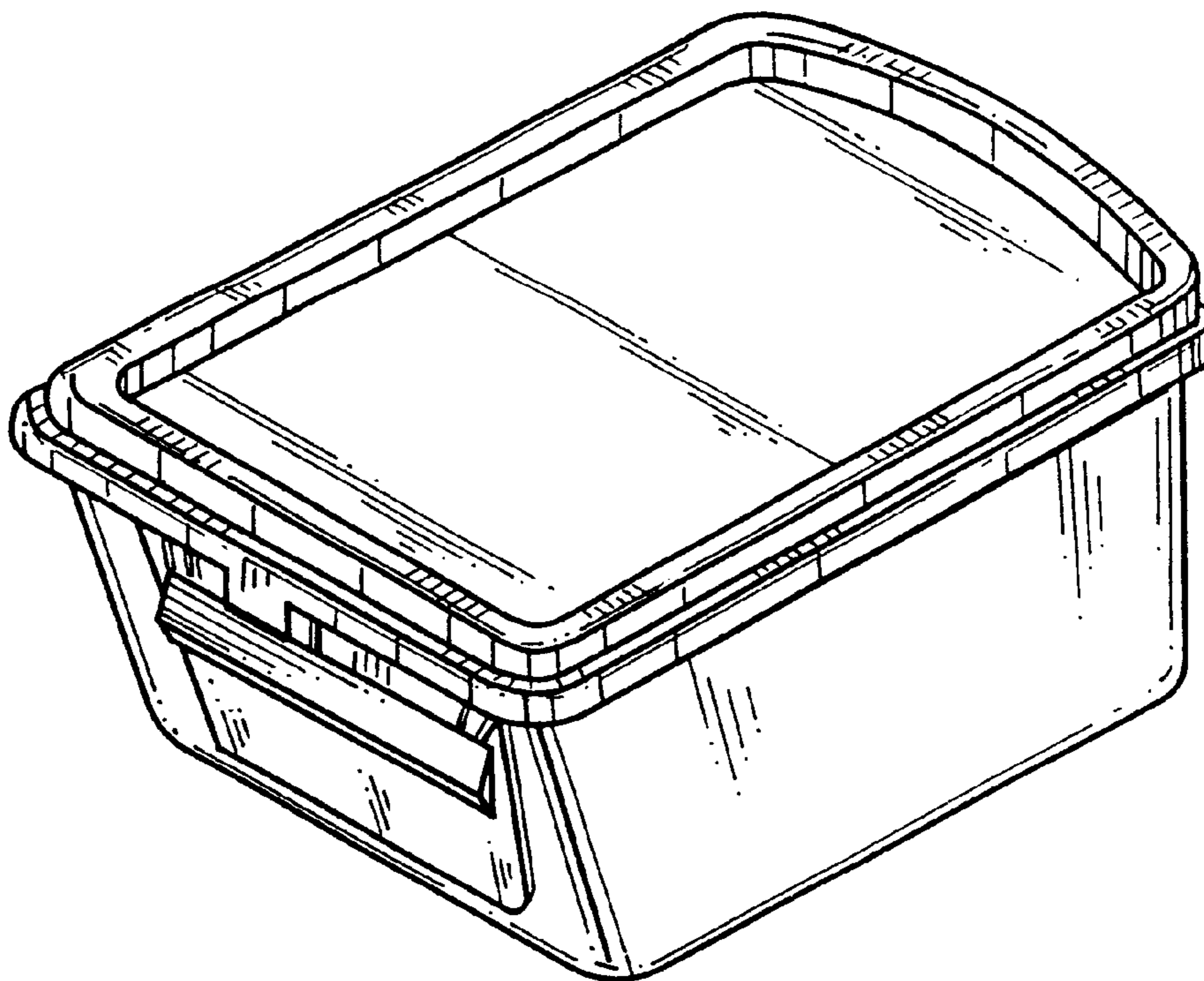
FIG. 4 is a right side elevational view thereof;

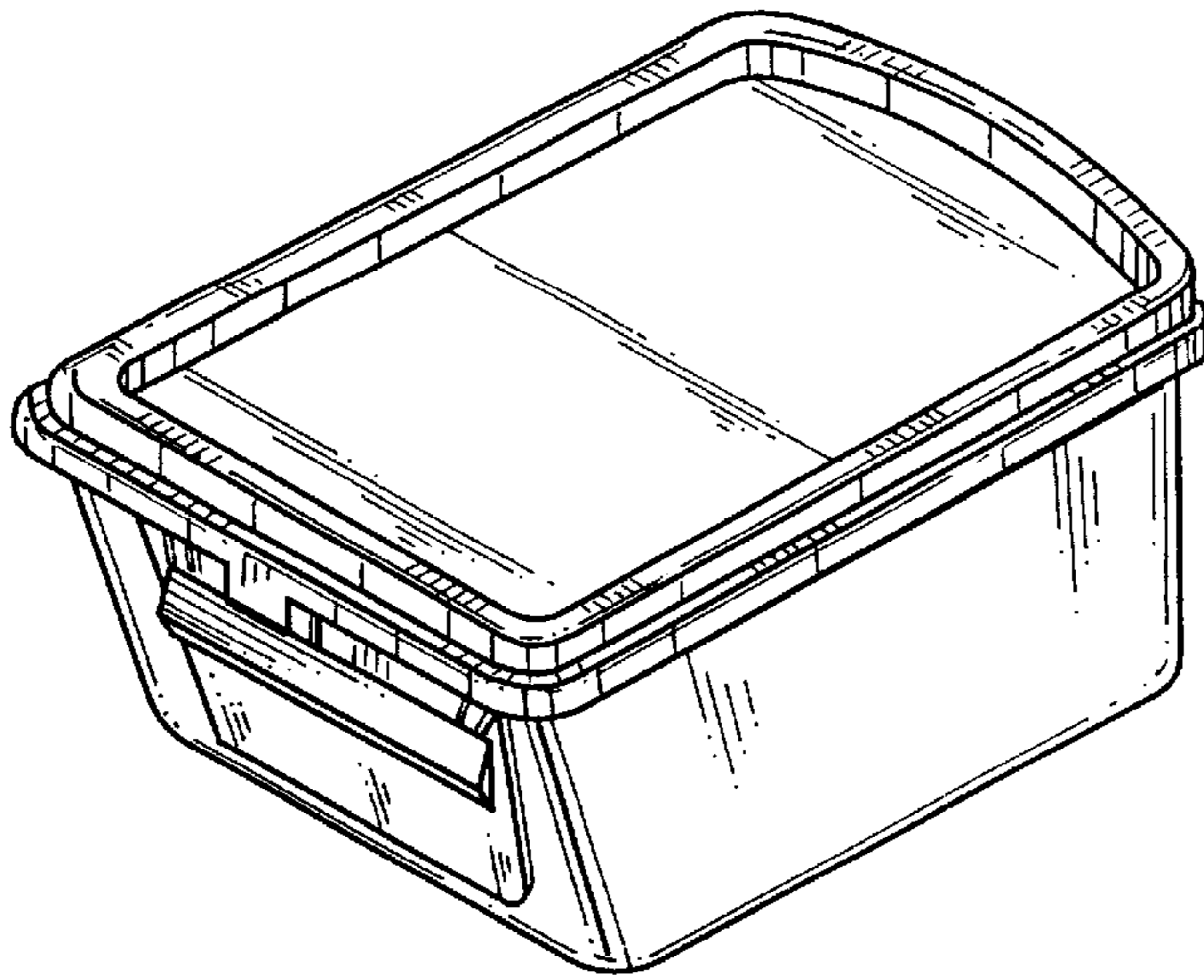
FIG. 5 is a top plan view thereof;

FIG. 6 is a front elevational view thereof; and,

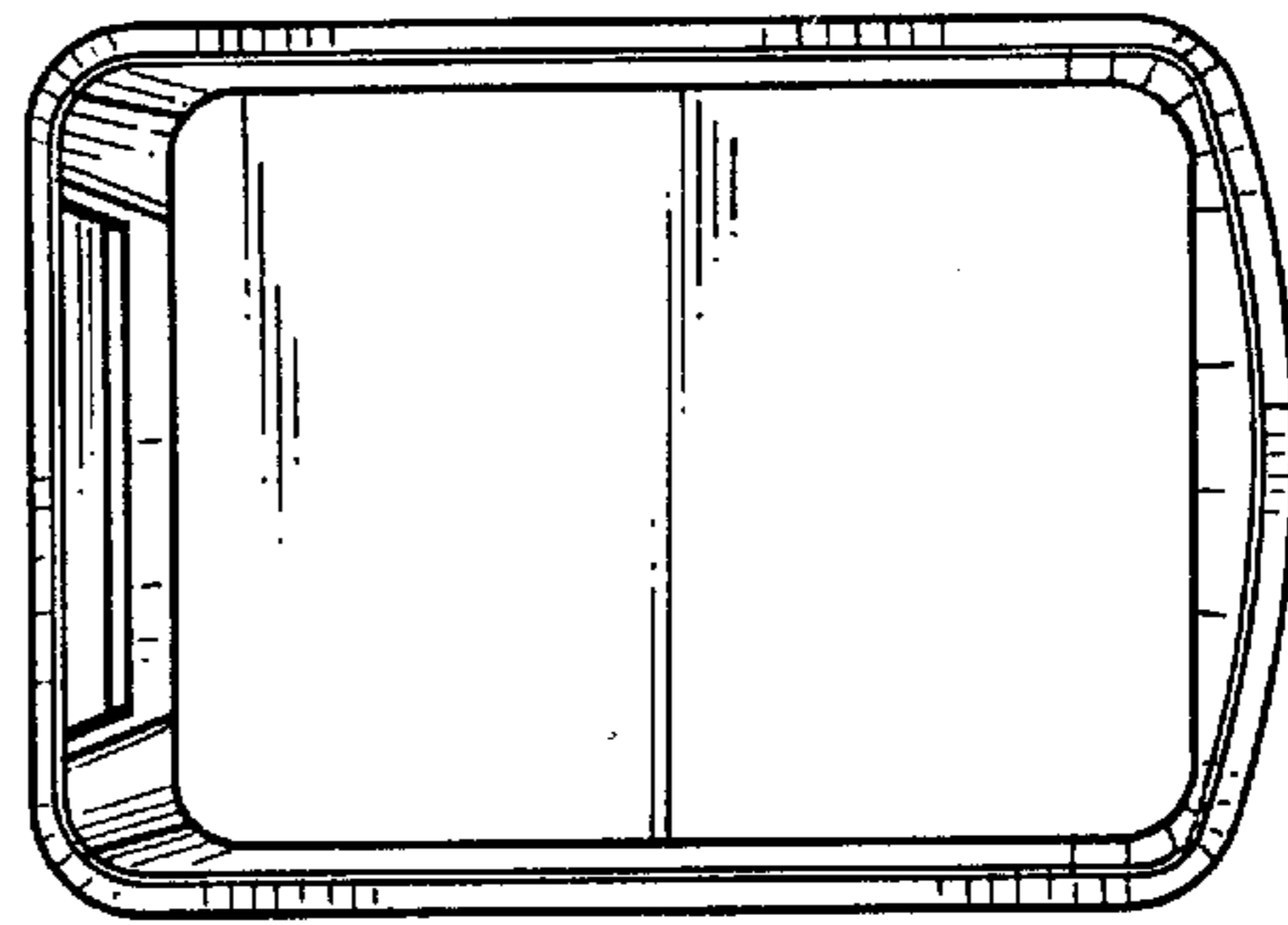
FIG. 7 is a left side elevational view thereof.

**1 Claim, 2 Drawing Sheets**

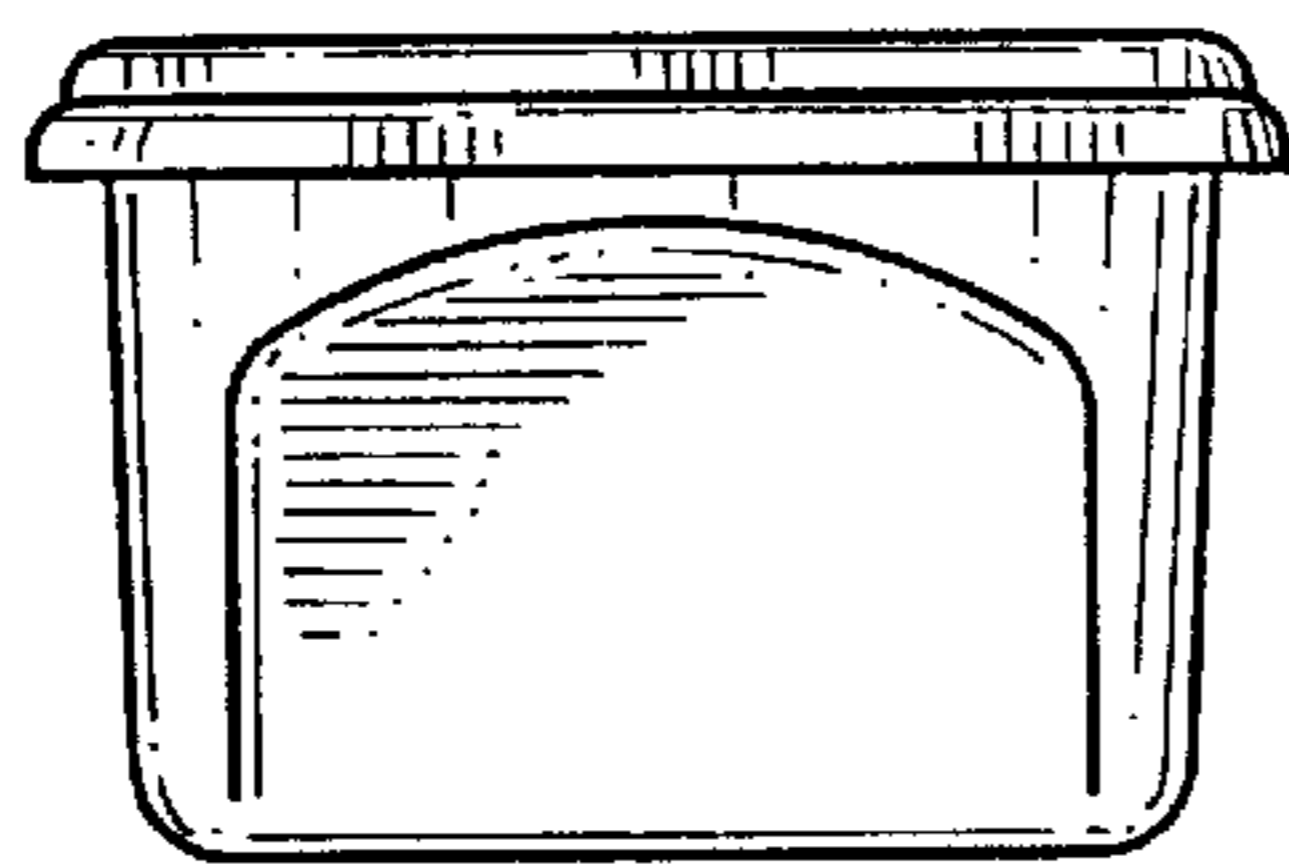




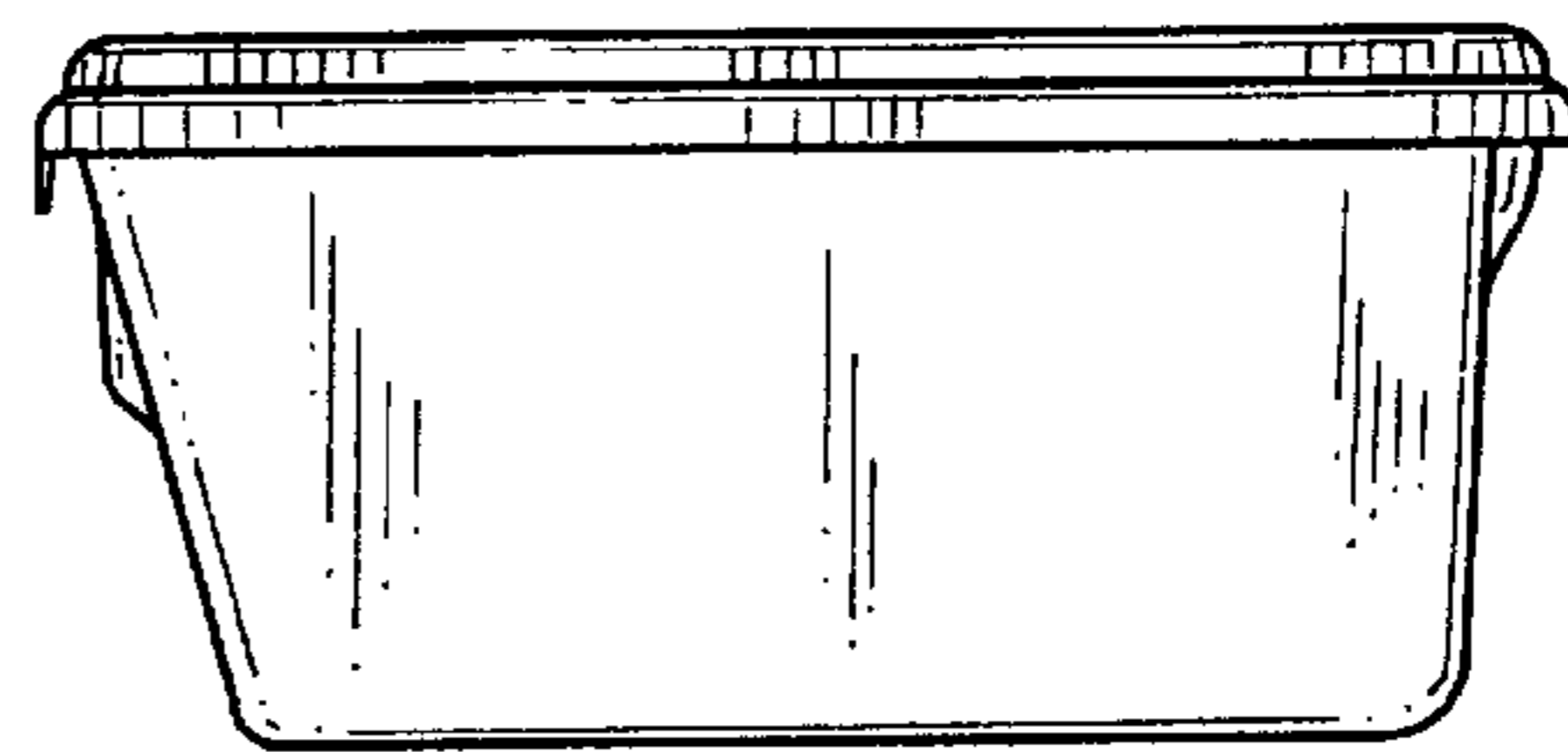
*FIG. 1*



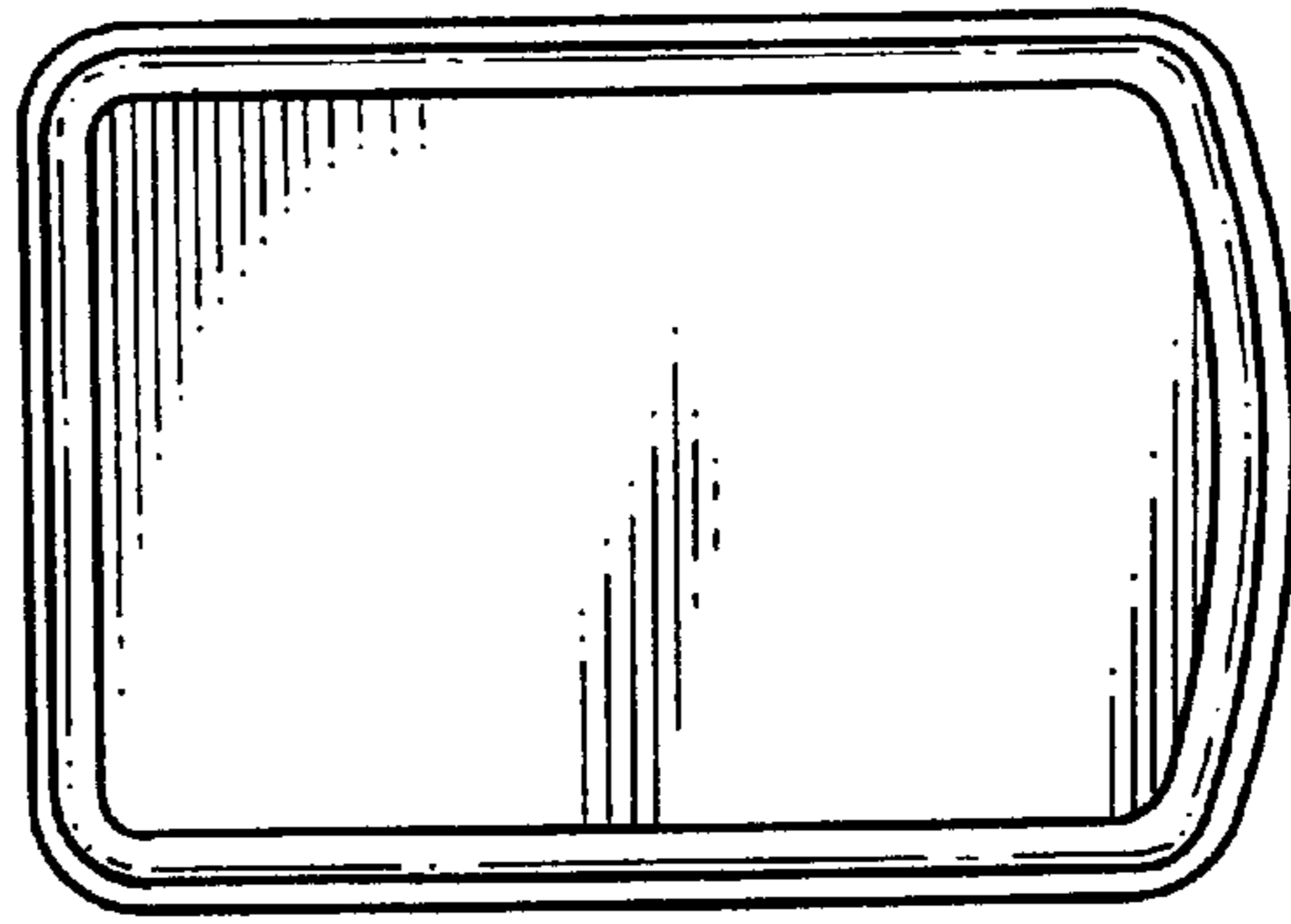
*FIG. 2*



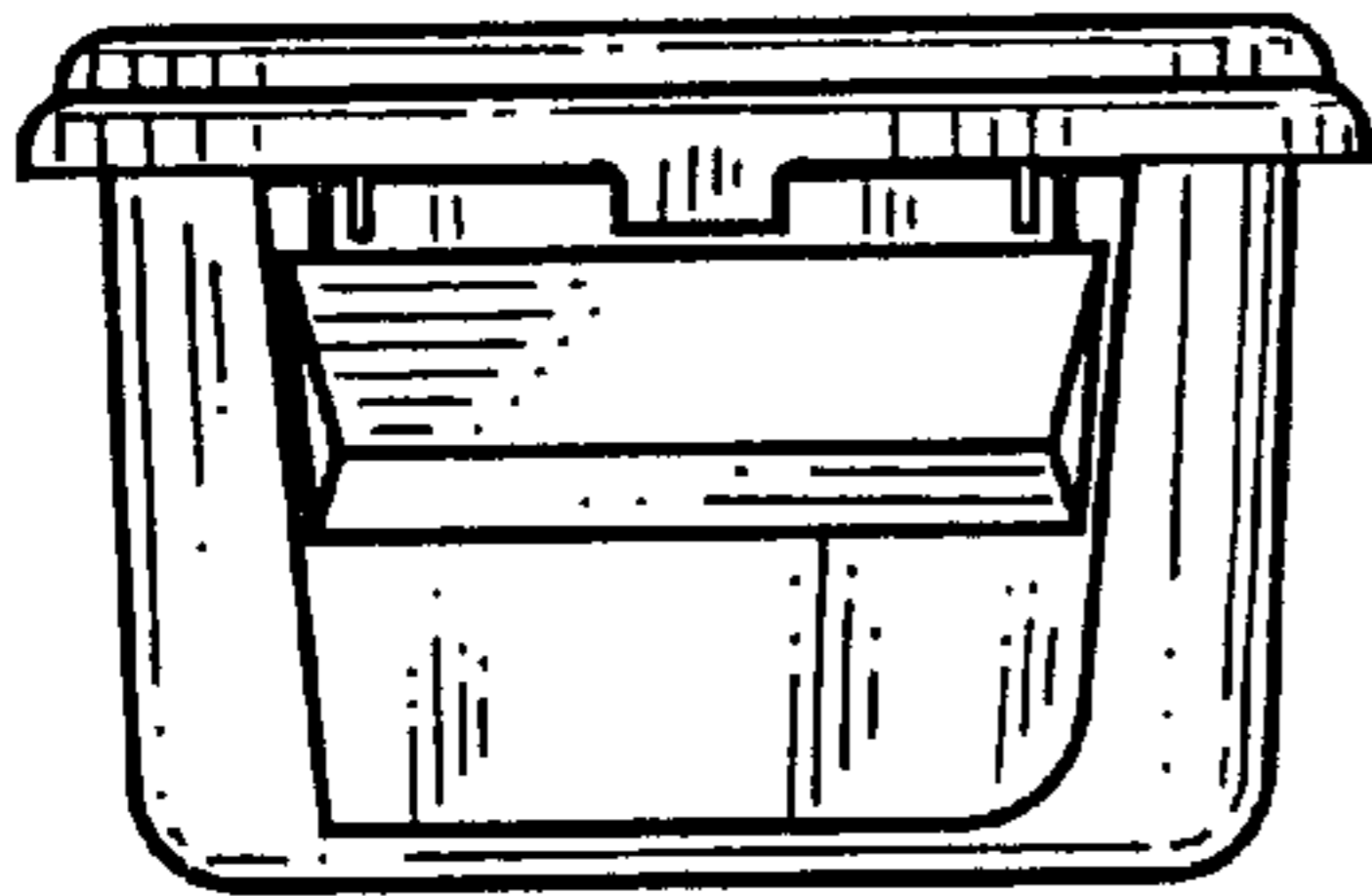
*FIG. 3*



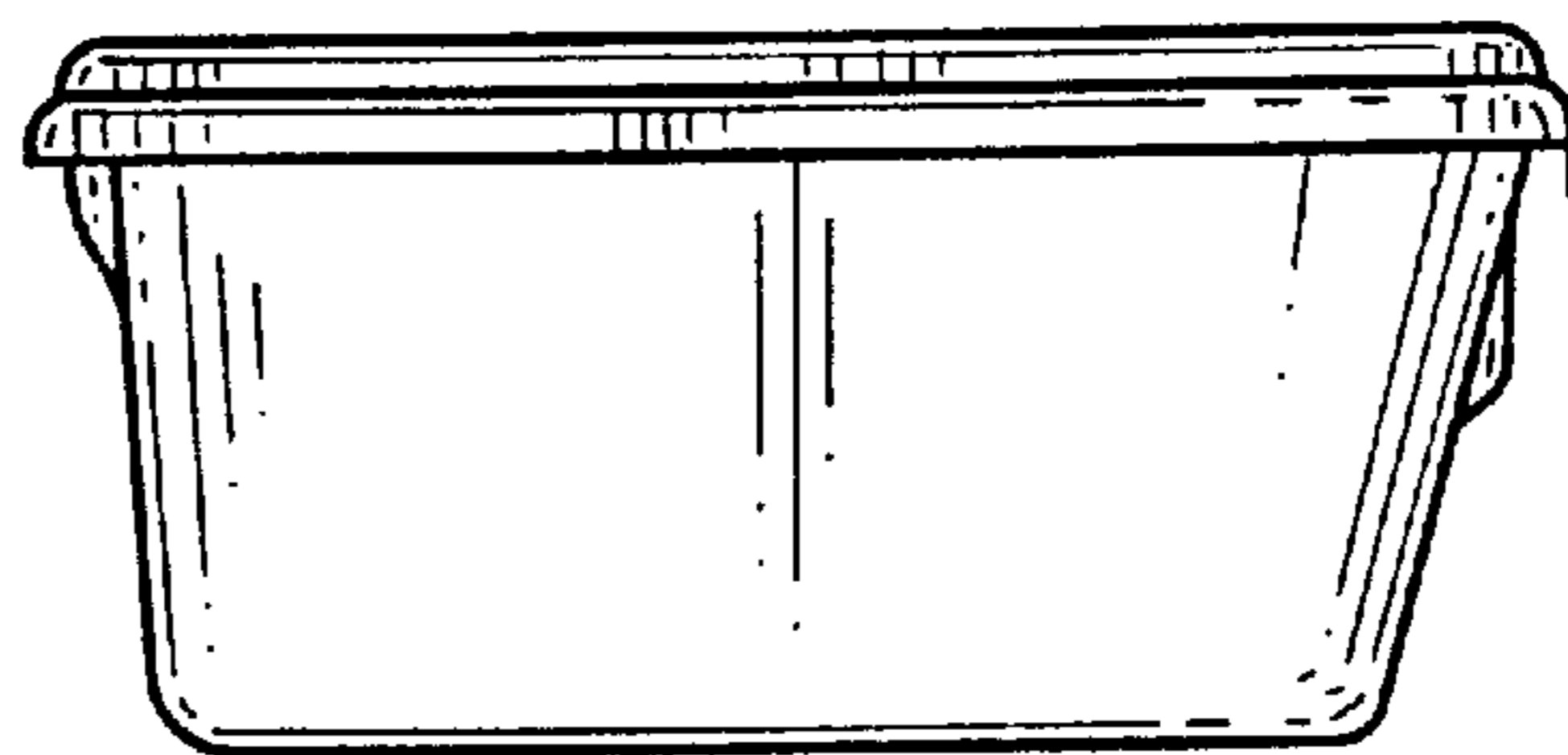
*FIG. 4*



*FIG. 5*



*FIG. 6*



*FIG. 7*

UNITED STATES PATENT AND TRADEMARK OFFICE  
**CERTIFICATE OF CORRECTION**

PATENT NO. : Des. 448,662 S  
DATED : October 2, 2001  
INVENTOR(S) : Steve Collins et al.

Page 1 of 1

It is certified that error appears in the above-identified patent and that said Letters Patent is hereby corrected as shown below:

Title page,

Item [75], Inventors, delete “(DE)” and insert therefor -- (GB) --.

Signed and Sealed this

Ninth Day of September, 2003

A handwritten signature in black ink, appearing to read "James E. Rogan", written over a horizontal line.

JAMES E. ROGAN  
*Director of the United States Patent and Trademark Office*