



US00D448659B1

(12) **United States Design Patent**  
**Pamer et al.**

(10) **Patent No.:** **US D448,659 S**

(45) **Date of Patent:** **\*\* Oct. 2, 2001**

(54) **SELF-PIERCING CLINCH NUT**  
(75) Inventors: **W. Richard Pamer**, Macedonia;  
**Stanley H. Umbel**, Windham, both of  
OH (US)

3,253,631	5/1966	Reusser .....	151/41.73
4,432,681	2/1984	Capuano .....	411/180
4,543,023	9/1985	Capuano .....	411/180
5,190,423	3/1993	Ewing .....	411/134
5,340,251	8/1994	Takahashi et al. ....	411/179
5,549,430	8/1996	Takahashi et al. ....	411/179

(73) Assignee: **R B & W Manufacturing LLC**,  
Cleveland, OH (US)

**OTHER PUBLICATIONS**

(\*\*) Term: **14 Years**

SPAC HGL, Nut Specifications, by R B & W Corporation,  
Forum SP325C009, Rev. Oct. 8, 1996.

(21) Appl. No.: **29/133,078**

SPAC HGLB, Nut Specifications, by R B & W Corporation,  
Forum SP325C010, Rev. Oct. 8, 1996.

(22) Filed: **Nov. 20, 2000**

*Primary Examiner*—B. J. Bullock

(74) *Attorney, Agent, or Firm*—Pearne & Gordon LLP

**Related U.S. Application Data**

(57) **CLAIM**

(63) Continuation-in-part of application No. 29/102,399, filed on  
Mar. 24, 1999, now Pat. No. Des. 437,211.

The ornamental design for a self-piercing clinch nut, as  
shown and described.

(51) **LOC (7) Cl.** ..... **08-08**

**DESCRIPTION**

(52) **U.S. Cl.** ..... **D8/397**

(58) **Field of Search** ..... D8/397; 411/427,  
411/429, 432, 918, 179, 180

FIG. 1 is a perspective view of a self-piercing clinch nut  
showing our new design;

FIG. 2 is a top plan view thereof;

FIG. 3 is a vertical cross-sectional view taken in the direc-  
tion of the arrows on line 3—3 FIG. 2;

FIG. 4 is a bottom plan view thereof; and,

FIG. 5 is a side elevational view thereof.

(56) **References Cited**

**U.S. PATENT DOCUMENTS**

D. 140,317	2/1945	Allen .....	D54/9
D. 186,858	12/1959	Reiner .....	D54/9
2,552,794	5/1951	Kimbell .....	85/32
3,053,300	9/1962	Quinto .....	151/41.72

**1 Claim, 1 Drawing Sheet**

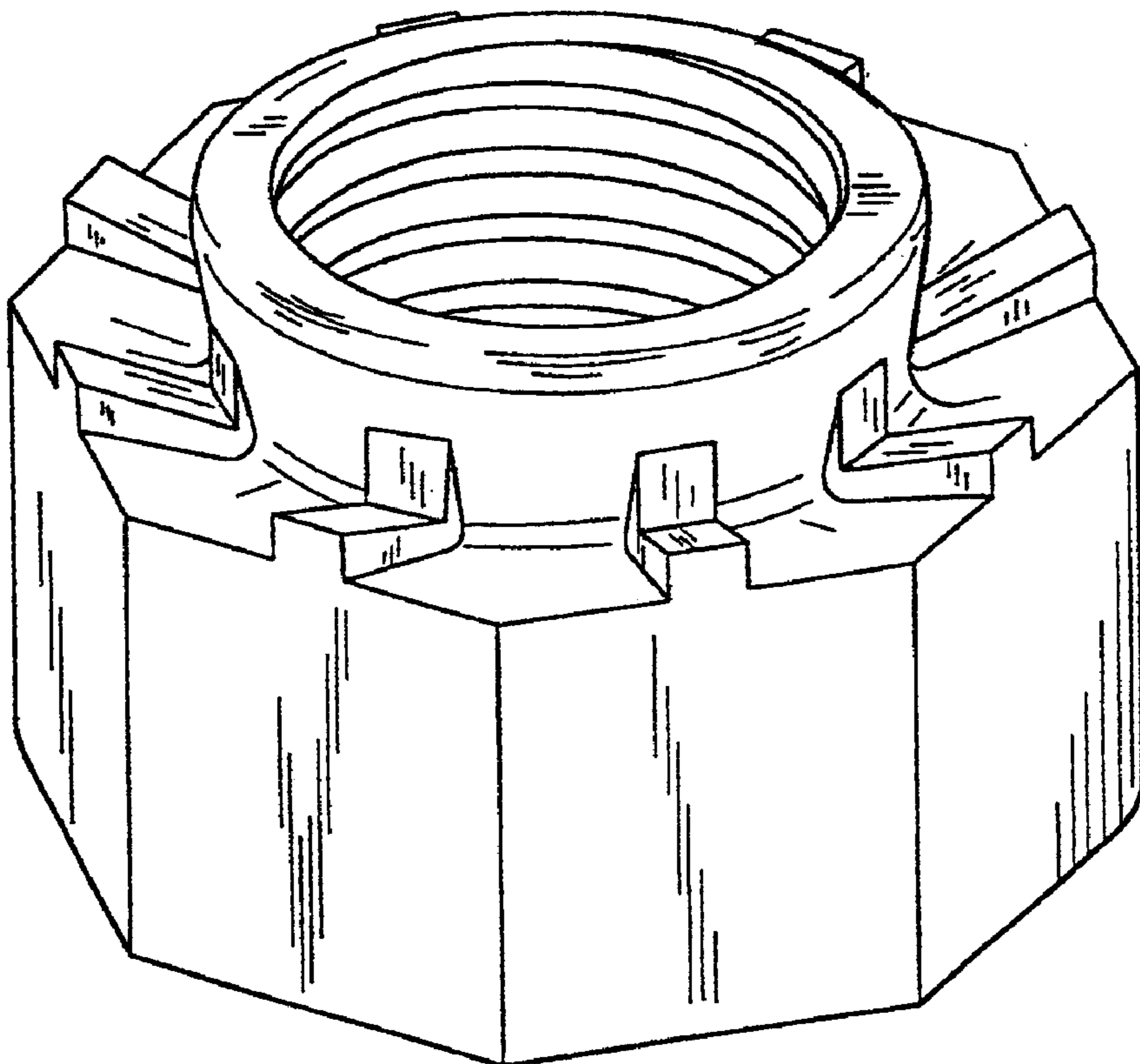


FIG. 1

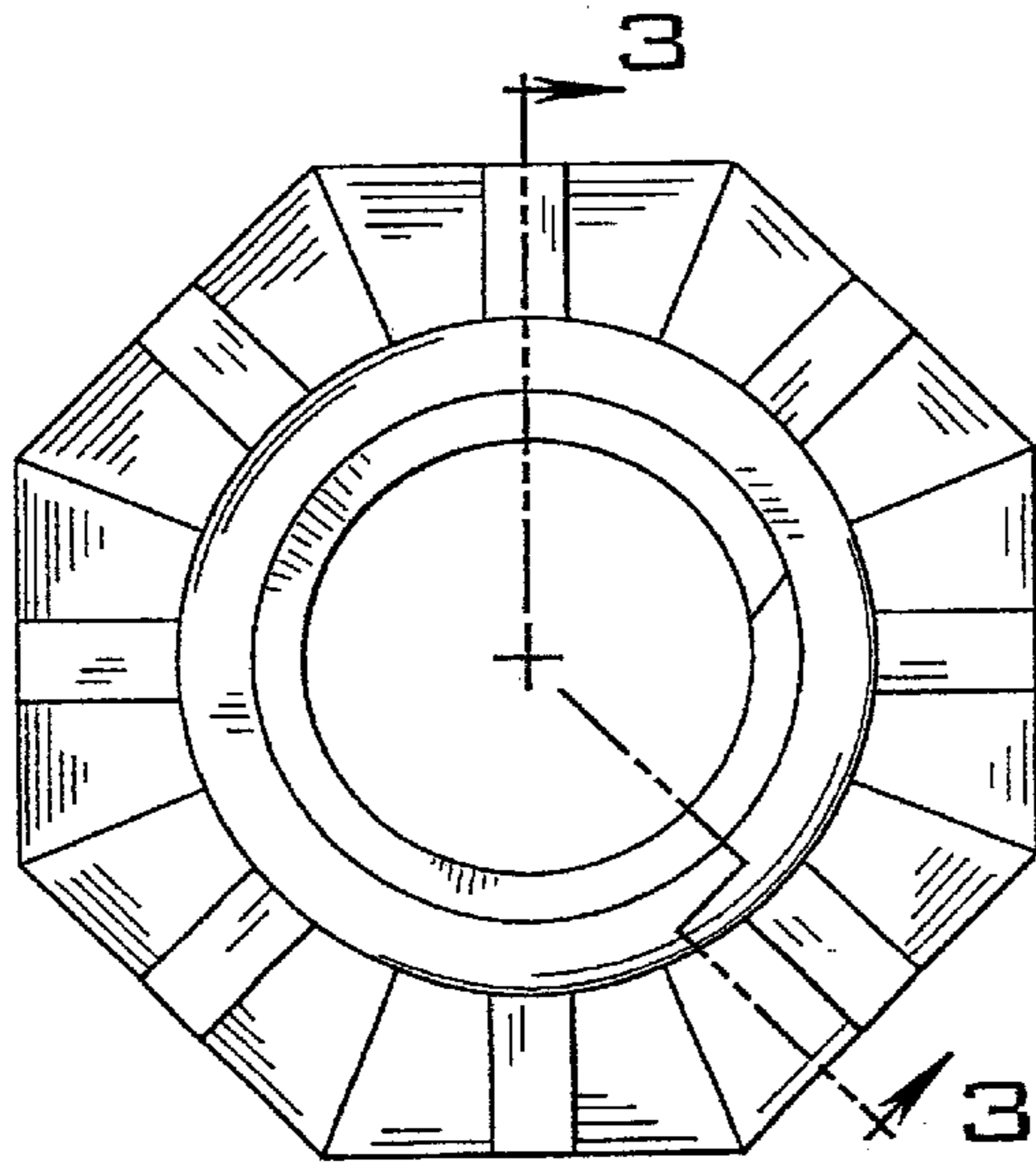
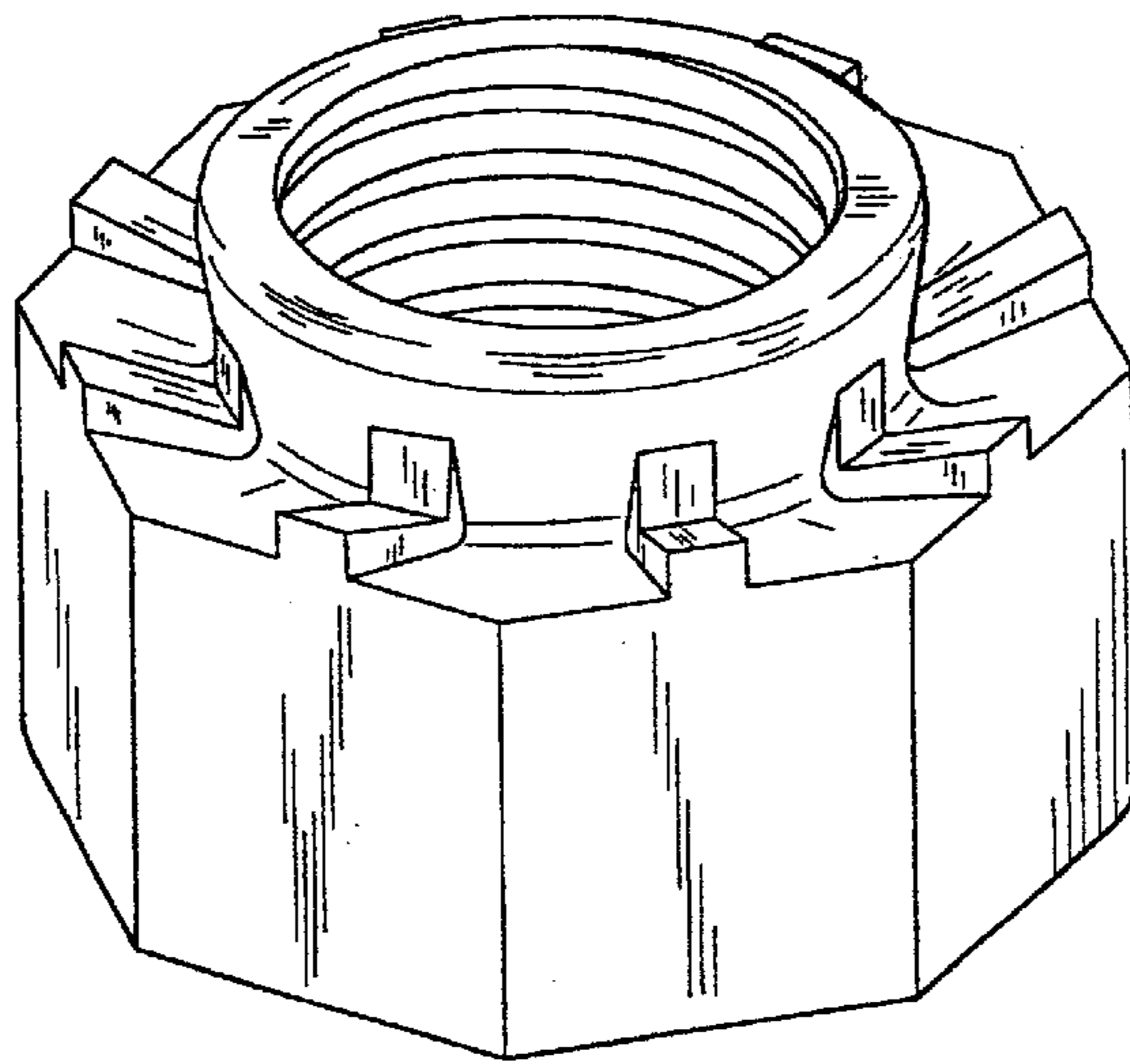


FIG. 2

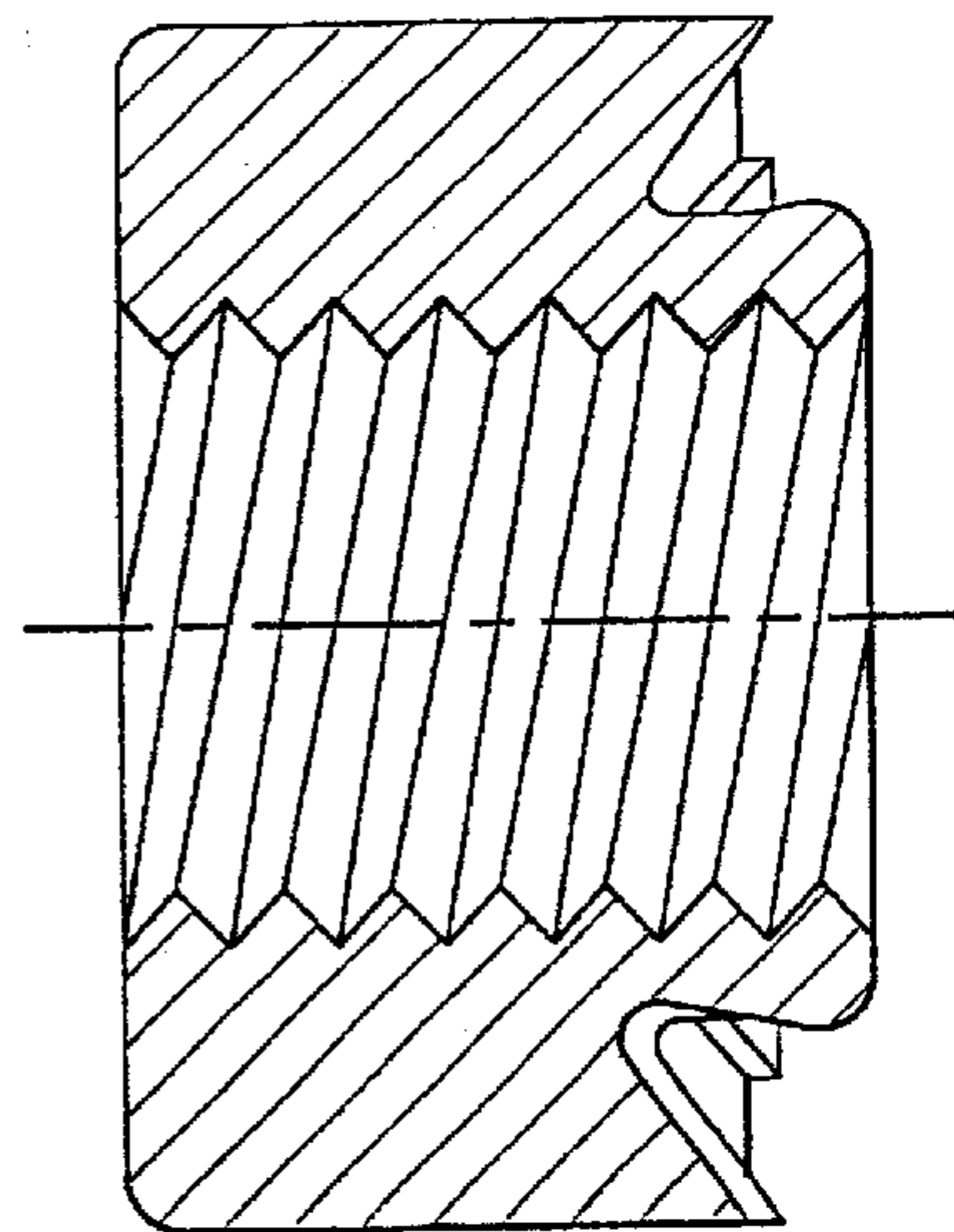


FIG. 3

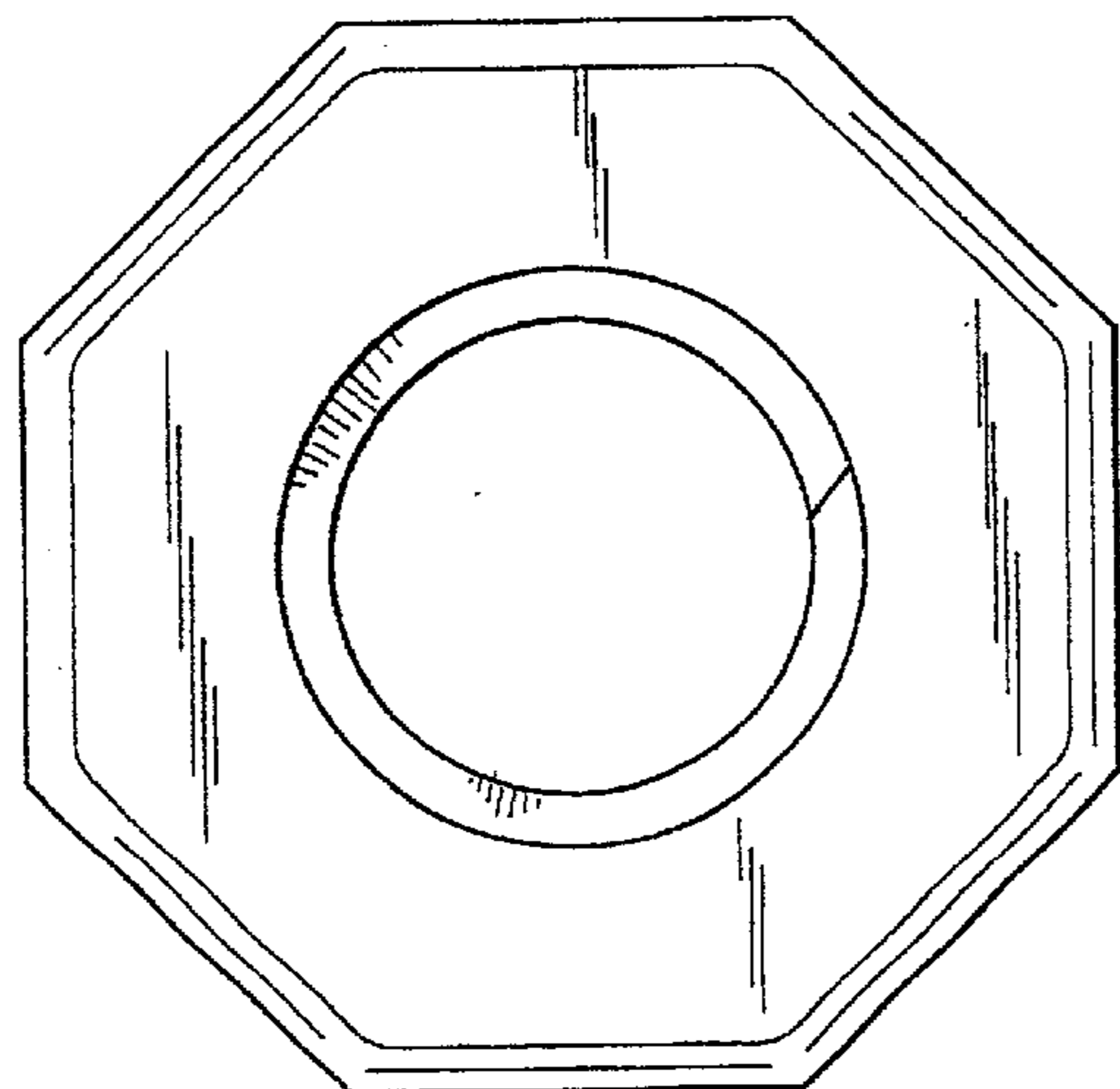


FIG. 4

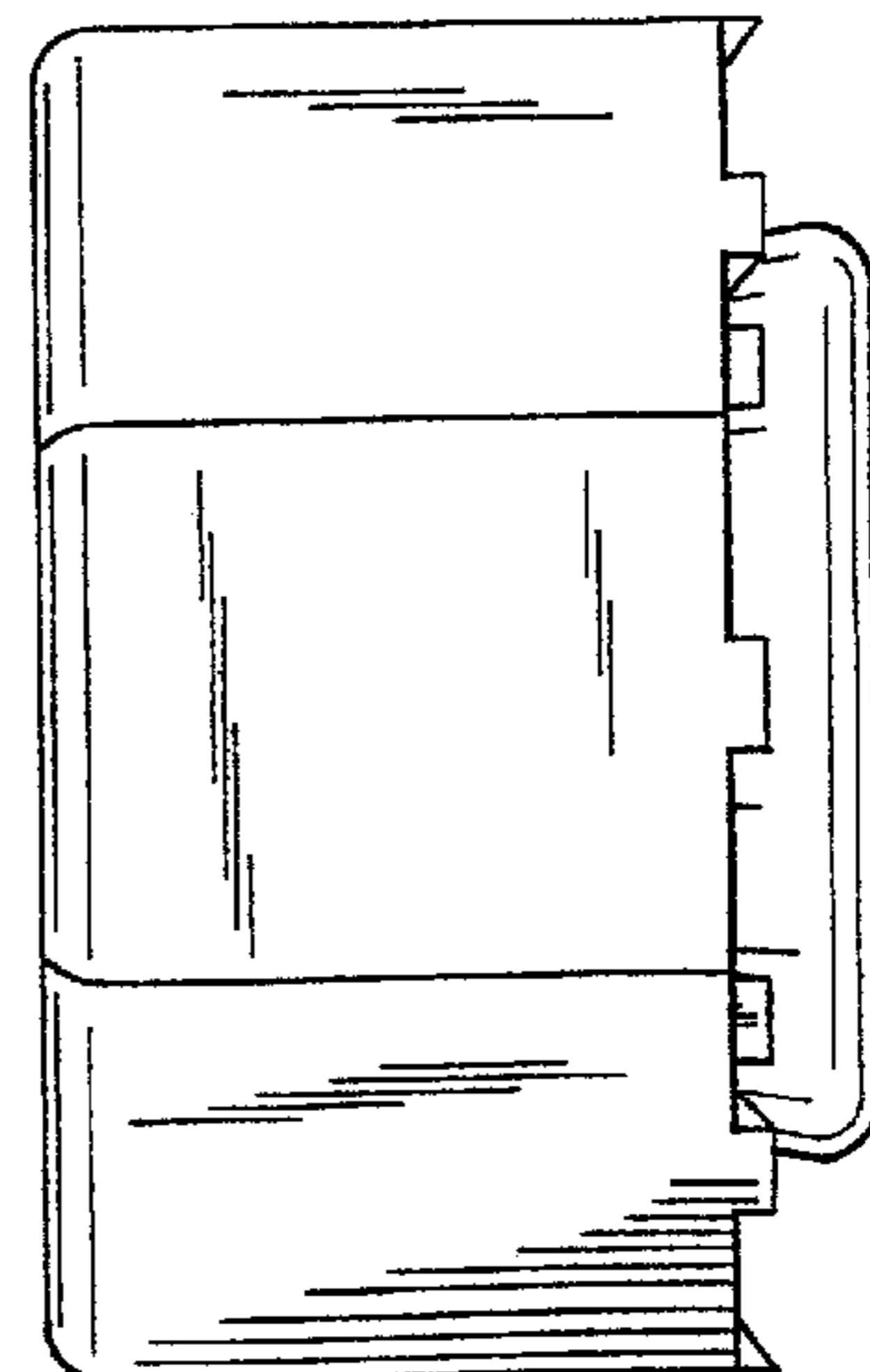


FIG. 5