



US00D448658B1

(12) **United States Design Patent**
Farina

(10) **Patent No.:** **US D448,658 S**

(45) **Date of Patent:** **** Oct. 2, 2001**

(54) **RIGHT ANGLE DRIVE HOSE CLAMP**

(76) Inventor: **Anthony Farina**, 38 Titus Ave., Staten Island, NY (US) 10306

(**) Term: **14 Years**

(21) Appl. No.: **29/127,156**

(22) Filed: **Jul. 31, 2000**

(51) **LOC (7) Cl.** **08-08**

(52) **U.S. Cl.** **D8/396; D8/382**

(58) **Field of Search** **D8/394, 395, 396; D23/265; 24/20 LS, 23 R, 281, 542, 548; 285/420**

(56) **References Cited**

U.S. PATENT DOCUMENTS

D. 207,276	*	3/1967	Nigon	D54/13
1,986,748	*	1/1935	Pritchard	24/19
2,945,277	*	6/1960	Wiora	24/281
2,958,549	*	11/1960	Spafford	285/243
3,367,056	*	2/1968	Johnson	43/25
4,280,722		7/1981	Guptil et al.	85/244
4,486,036		12/1984	Storke et al.	285/253
4,637,100		1/1987	Ishihata	24/274
4,736,969		4/1988	Fouts	285/247

5,181,774	*	1/1993	Lane	362/72
5,582,437		12/1996	Bartholomew	285/272
5,622,391	*	4/1997	Belik	285/23
5,706,558		1/1998	Sauer	24/279

* cited by examiner

Primary Examiner—Ted Shooman

Assistant Examiner—Daniel Bui

(74) *Attorney, Agent, or Firm*—Goldstein Law Offices P.C.

(57) **CLAIM**

The ornamental design for a right angle drive hose clamp, as shown and described.

DESCRIPTION

FIG. 1 is a perspective view of a right angle drive hose clamp.

FIG. 2 is a front elevational view thereof.

FIG. 3 is a rear elevational view thereof.

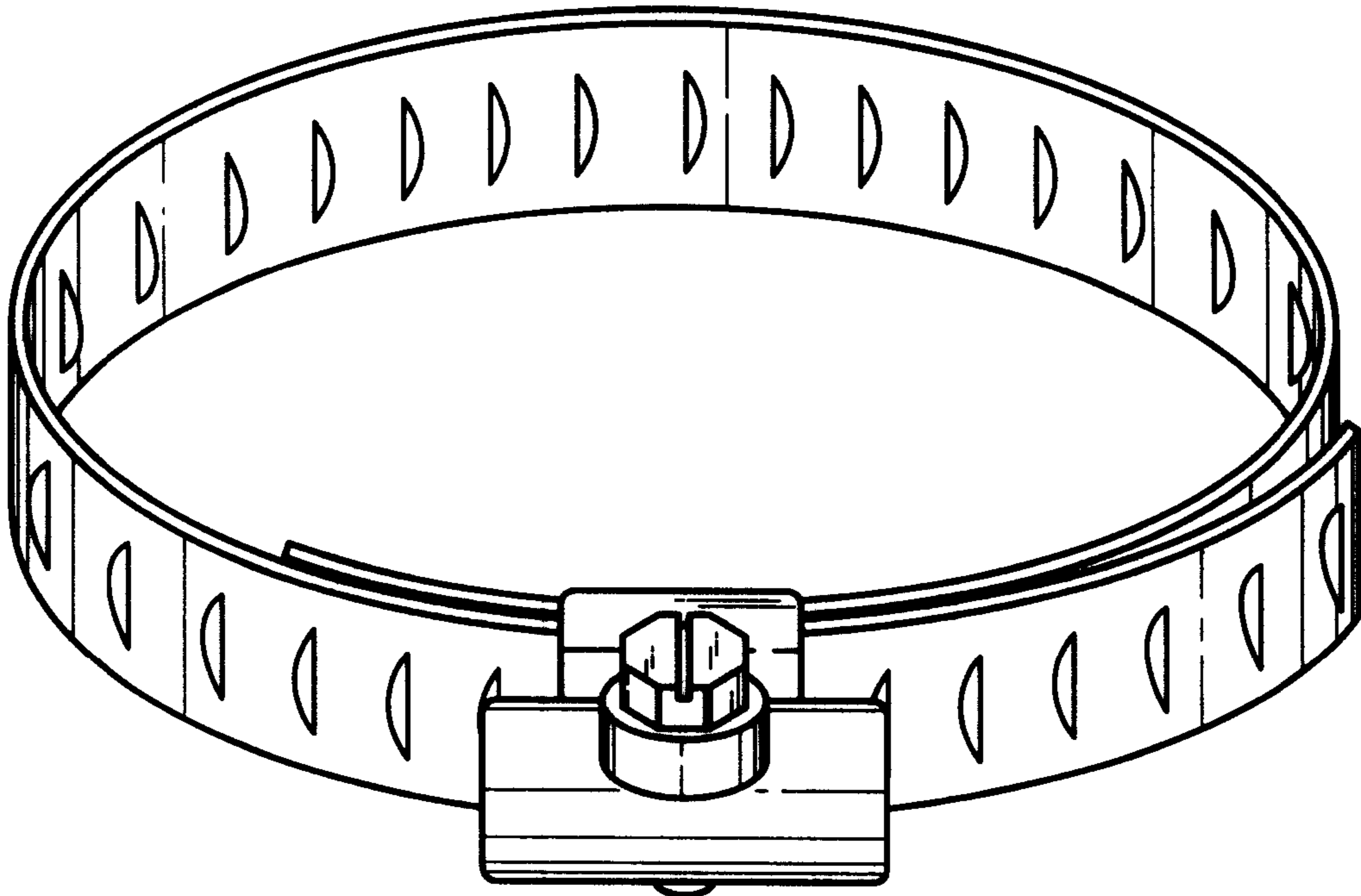
FIG. 4 is a top plan view thereof.

FIG. 5 is a bottom plan view thereof.

FIG. 6 is a right side elevational view of the right angle drive hose clamp; and,

FIG. 7 is a left side elevational view thereof.

1 Claim, 3 Drawing Sheets



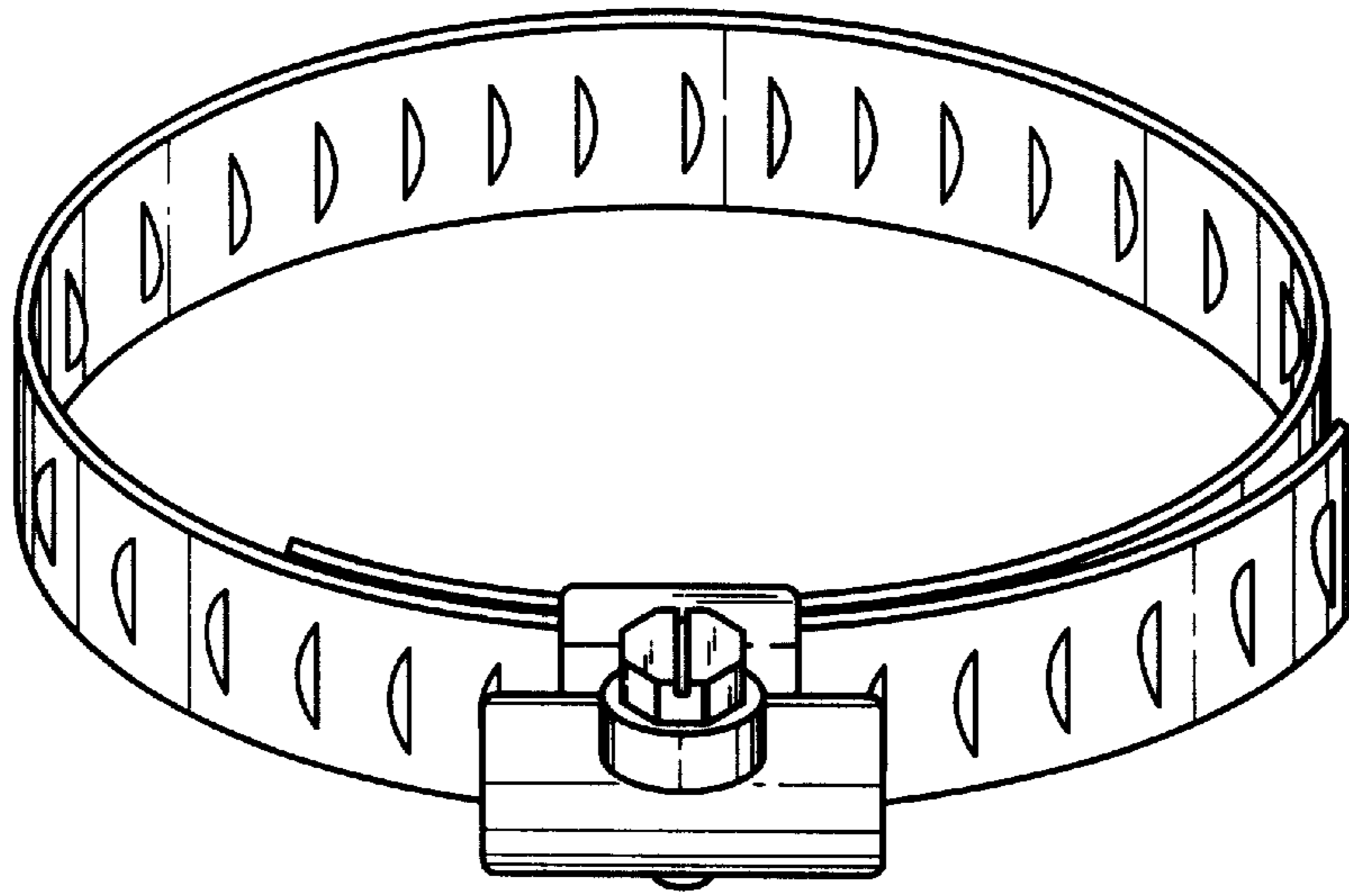


Fig. 1

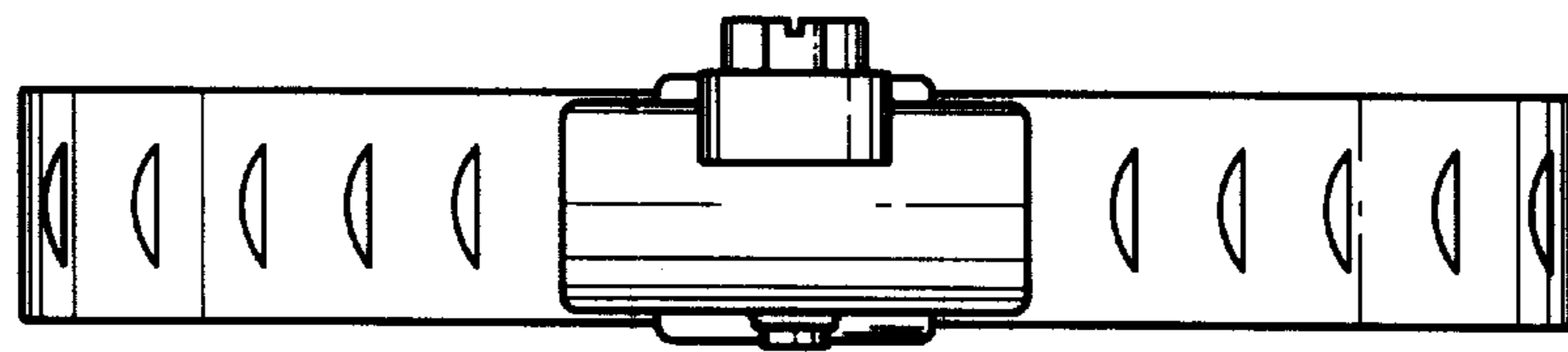


Fig. 2

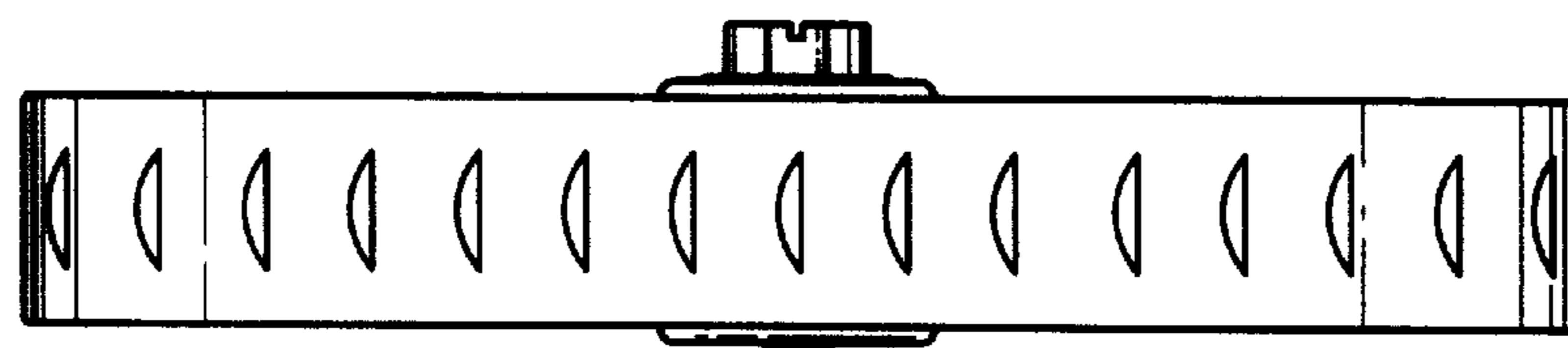


Fig. 3

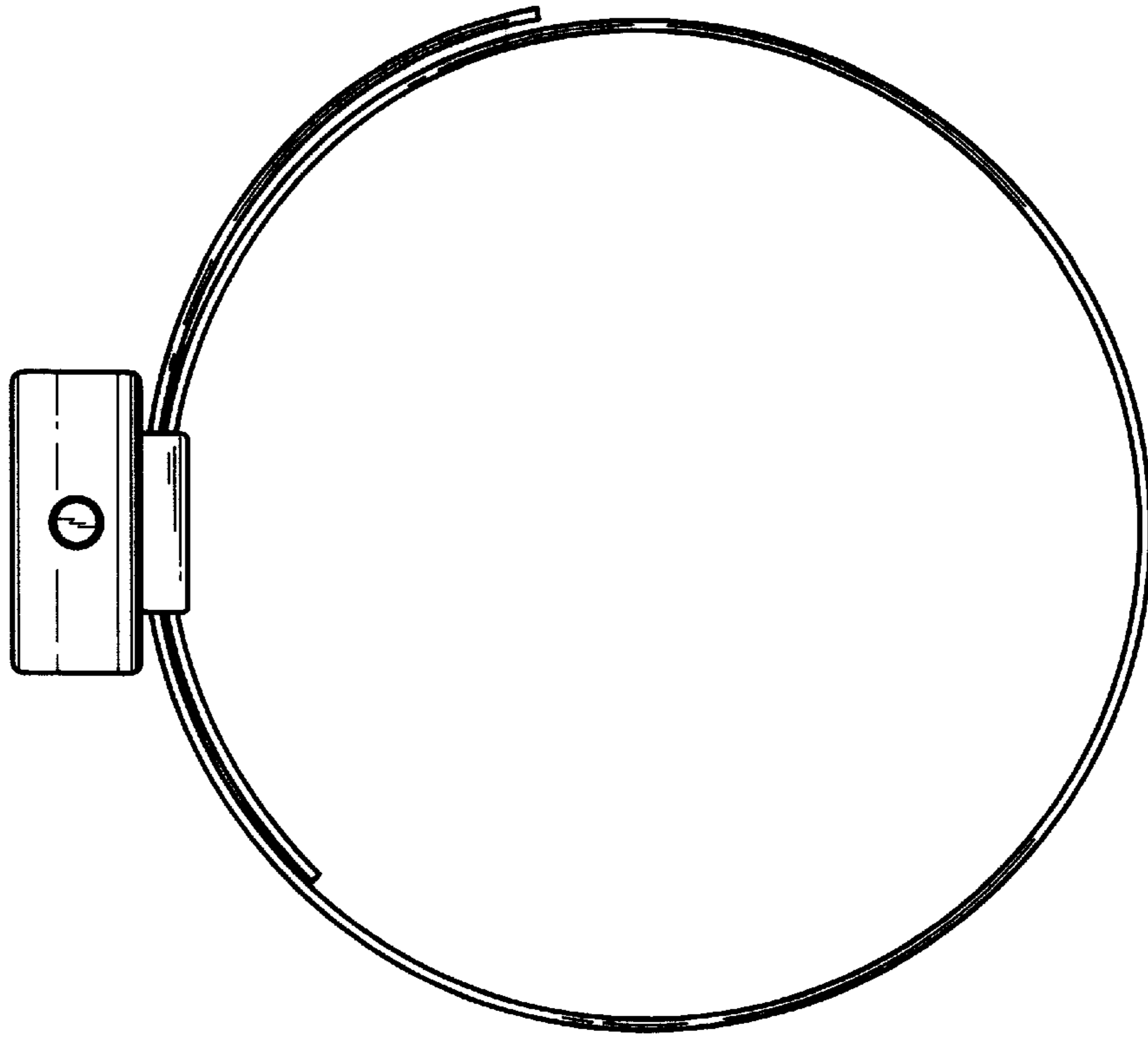


Fig. 5

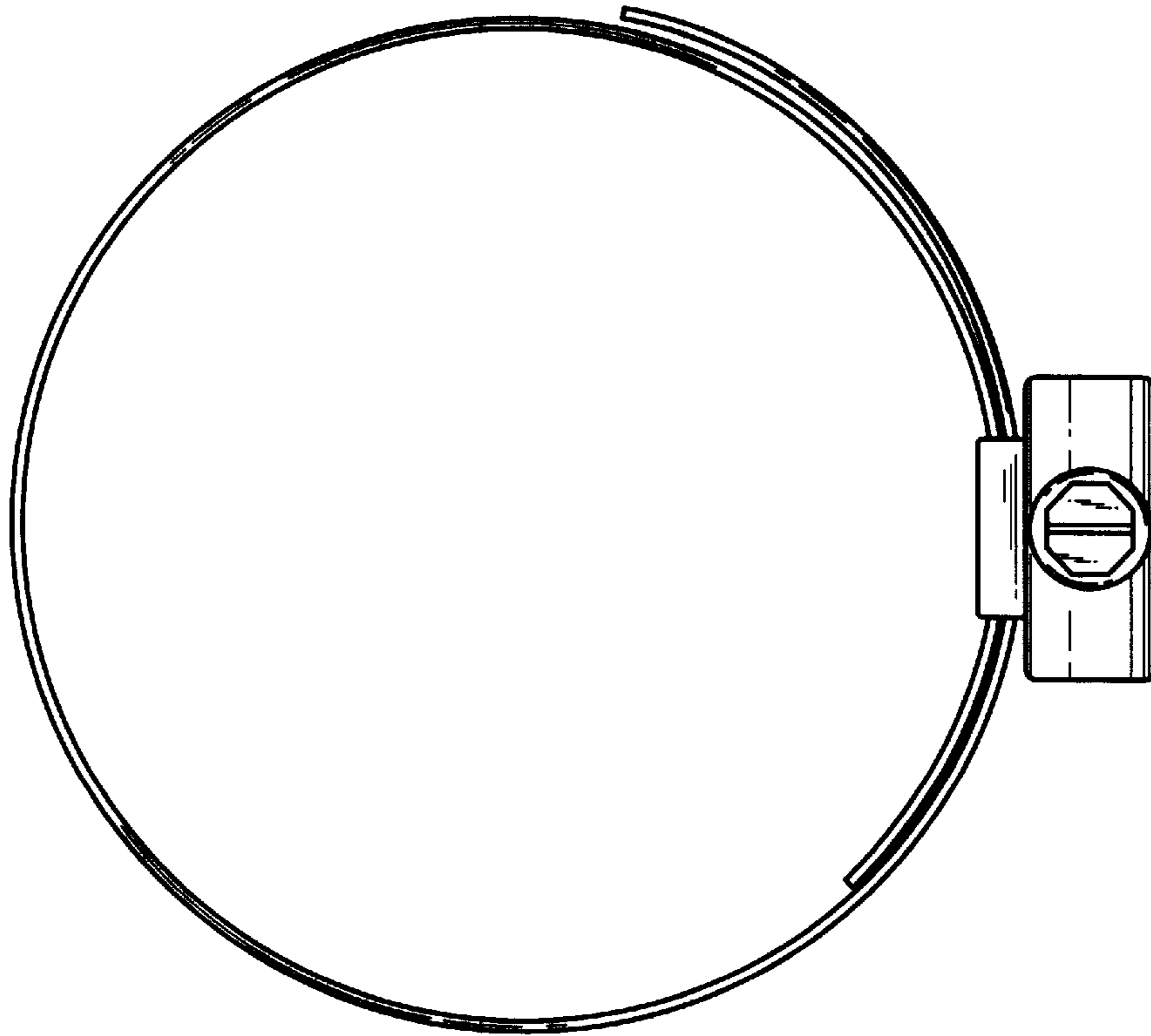


Fig. 4

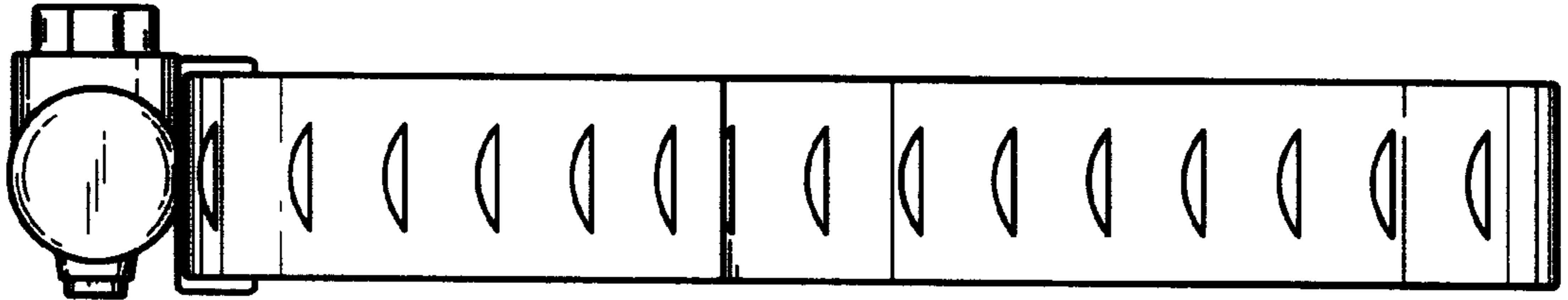


Fig. 6

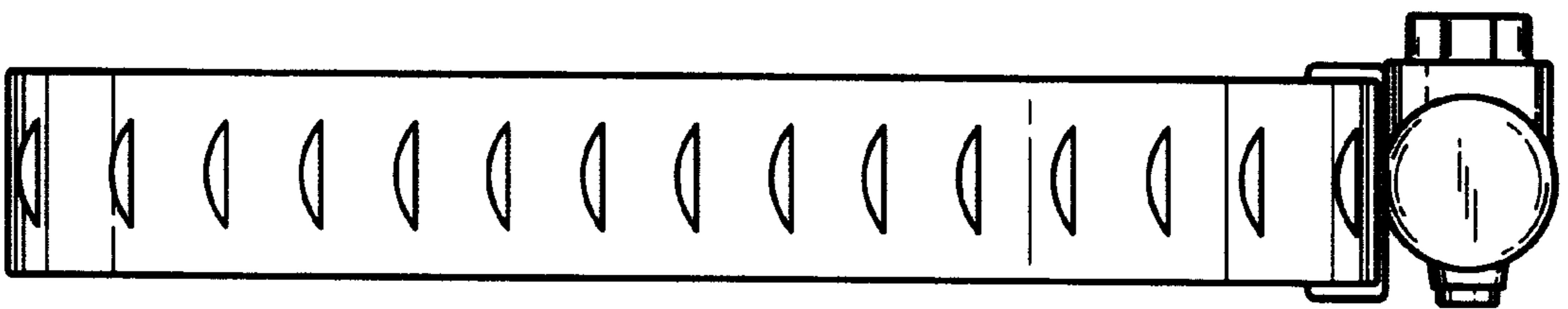


Fig. 7