



US00D448657B1

(12) **United States Design Patent**
Calvert

(10) **Patent No.:** **US D448,657 S**

(45) **Date of Patent:** **** Oct. 2, 2001**

(54) **PIPE HANGER CLAMP**

5,423,501 * 6/1995 Yu 248/61

(75) **Inventor:** **Christopher John Calvert, Sheriff Hutton (GB)**

FOREIGN PATENT DOCUMENTS

2099289 6/1981 (GB) .
1052346 7/1988 (GB) .
1053096 8/1988 (GB) .
2085693 8/1999 (GB) .

(73) **Assignee:** **Walkern Victoria Industries Limited (GB)**

(**) **Term:** **14 Years**

* cited by examiner

(21) **Appl. No.:** **29/124,886**

Primary Examiner—Ted Shooman

Assistant Examiner—Daniel Bui

(22) **Filed:** **Jun. 13, 2000**

(74) *Attorney, Agent, or Firm*—Rockey, Milnamow & Katz, Ltd.

(30) **Foreign Application Priority Data**

Dec. 15, 1999 (GB) 2088832

(51) **LOC (7) Cl.** **08-08**

(52) **U.S. Cl.** **D8/396; D8/394**

(58) **Field of Search** D8/394, 395, 396;
24/16 R; 248/58, 59, 70, 71, 74.1, 74.2

(57) **CLAIM**

The ornamental design for a pipe hanger clamp, substantially as shown and described.

DESCRIPTION

(56) **References Cited**

U.S. PATENT DOCUMENTS

D. 307,541 * 5/1990 Tres D8/396
D. 414,404 * 9/1999 Van De Lande D8/396
2,156,639 * 5/1939 Powell 72/105
3,273,837 * 9/1966 Willert et al. 248/59
3,523,668 * 8/1970 Logsdon 248/59
3,913,187 * 10/1975 Okuda 24/255
4,079,970 * 3/1978 Brett 285/158
4,478,381 * 10/1984 Pittion et al. 248/71
4,958,791 * 9/1990 Nakamura 248/74.1

FIG. 1 is a front elevational view with part in a first closed position;
FIG. 2 is a side elevational view of FIG. 1;
FIG. 3 is a left side perspective view of FIG. 1 with part in a first closed position;
FIG. 4 is a right side perspective view of FIG. 1 with part in a first closed position;
FIG. 5 is an underneath perspective view of FIG. 1 with part in an open position; and,
FIG. 6 is a front elevational view of FIG. 1 with part in a second closed position.

1 Claim, 3 Drawing Sheets

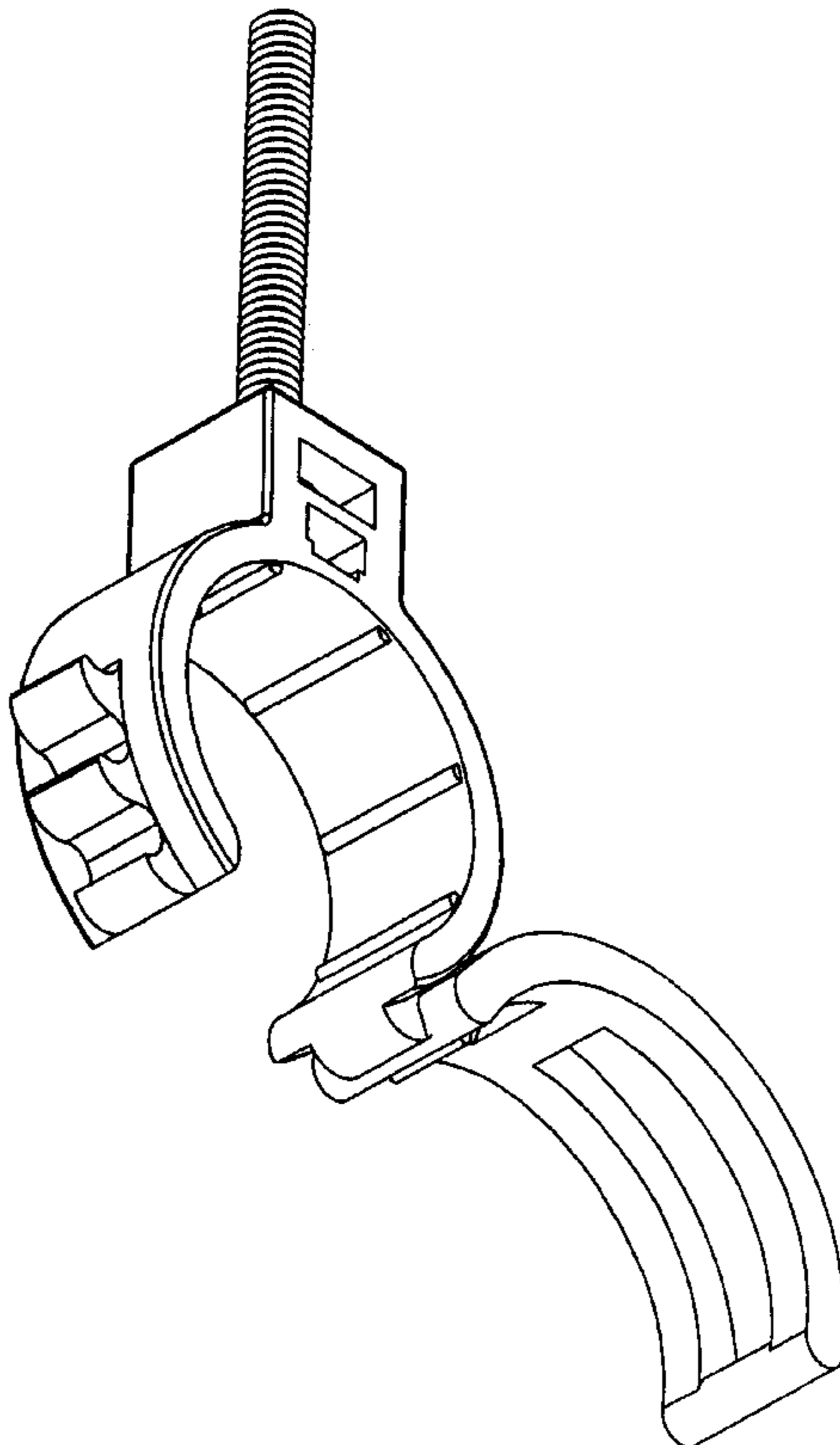


FIG.1

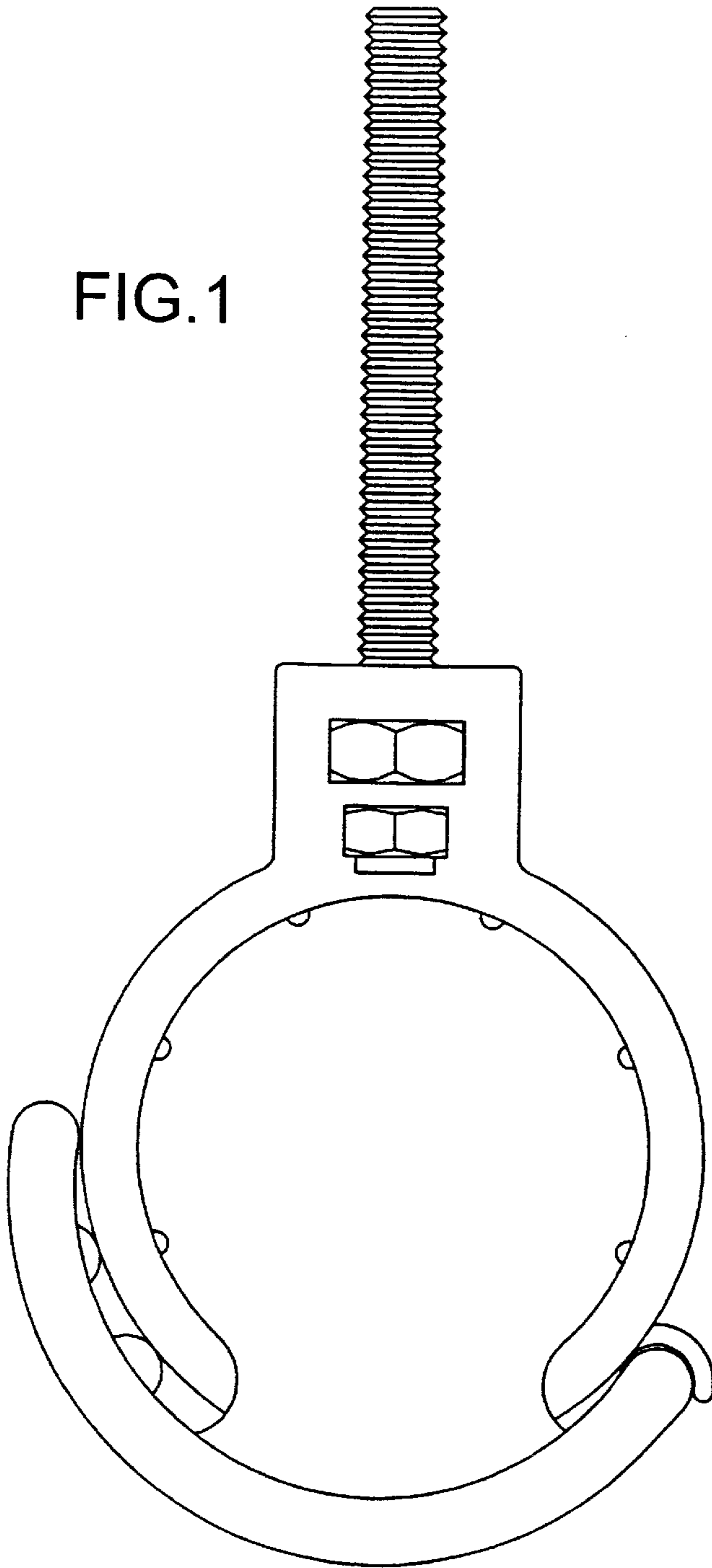
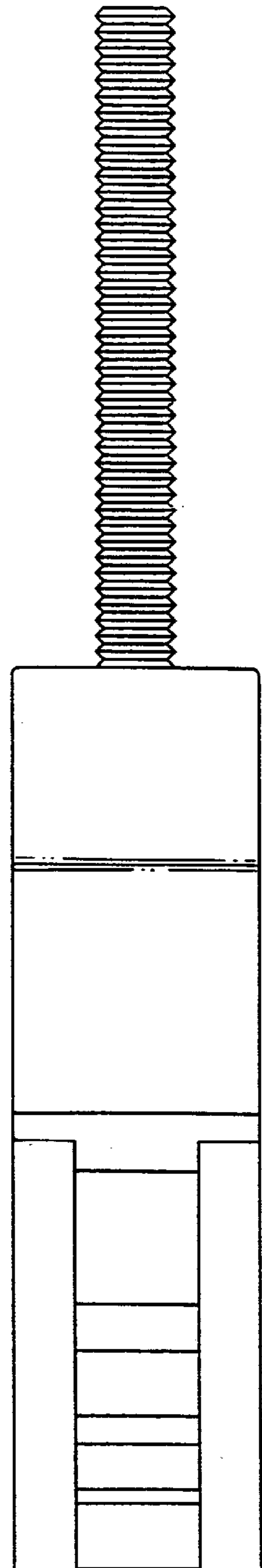


FIG.2



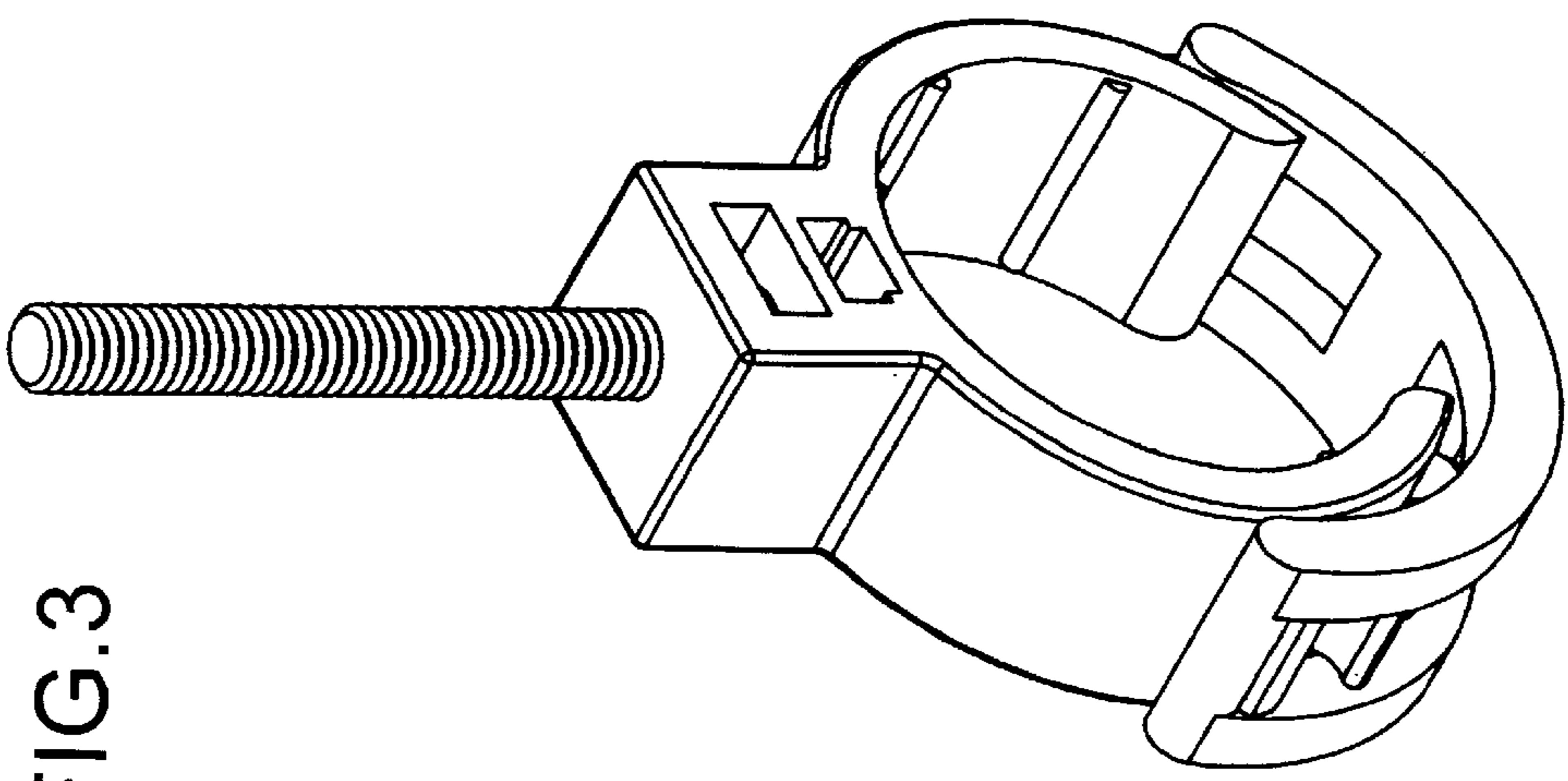
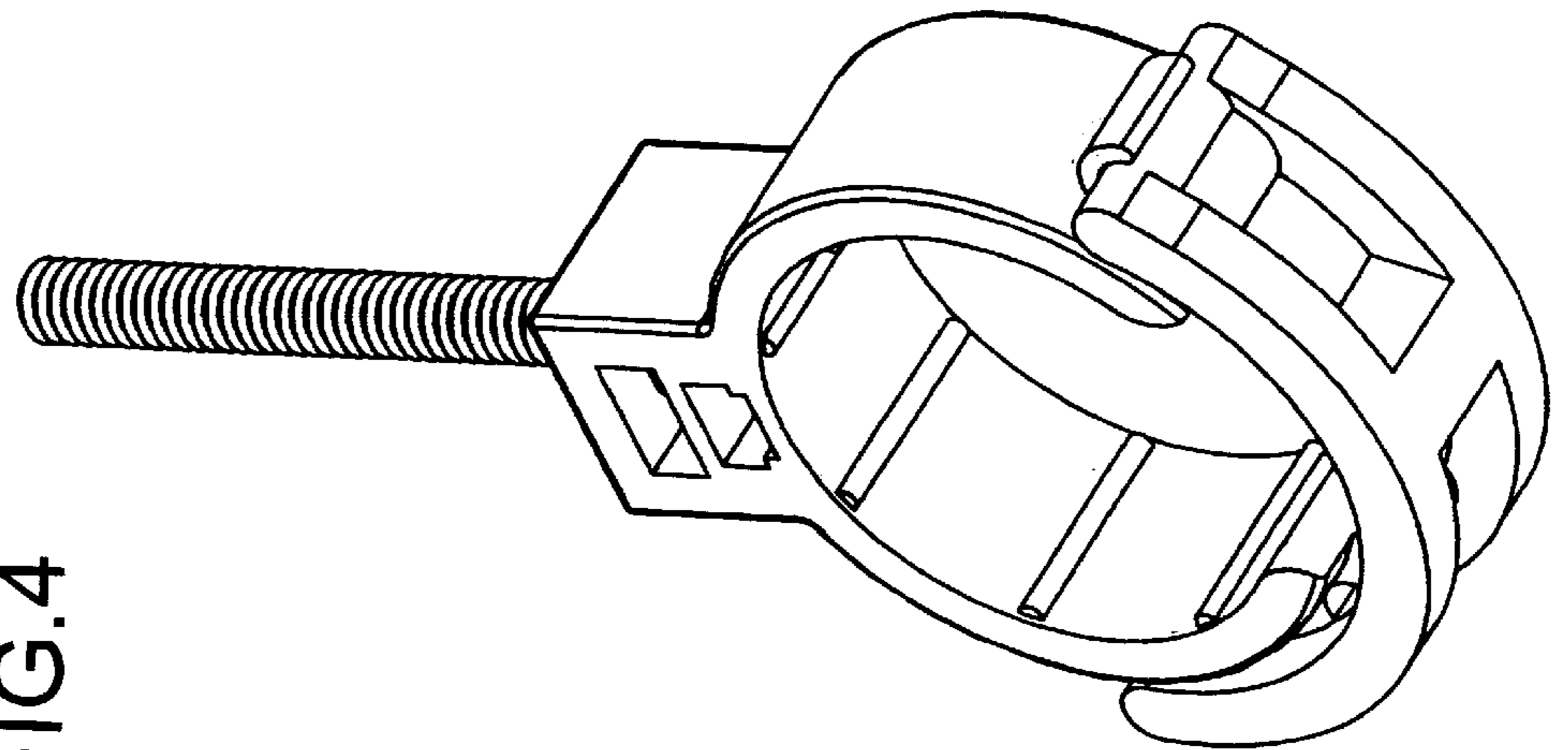
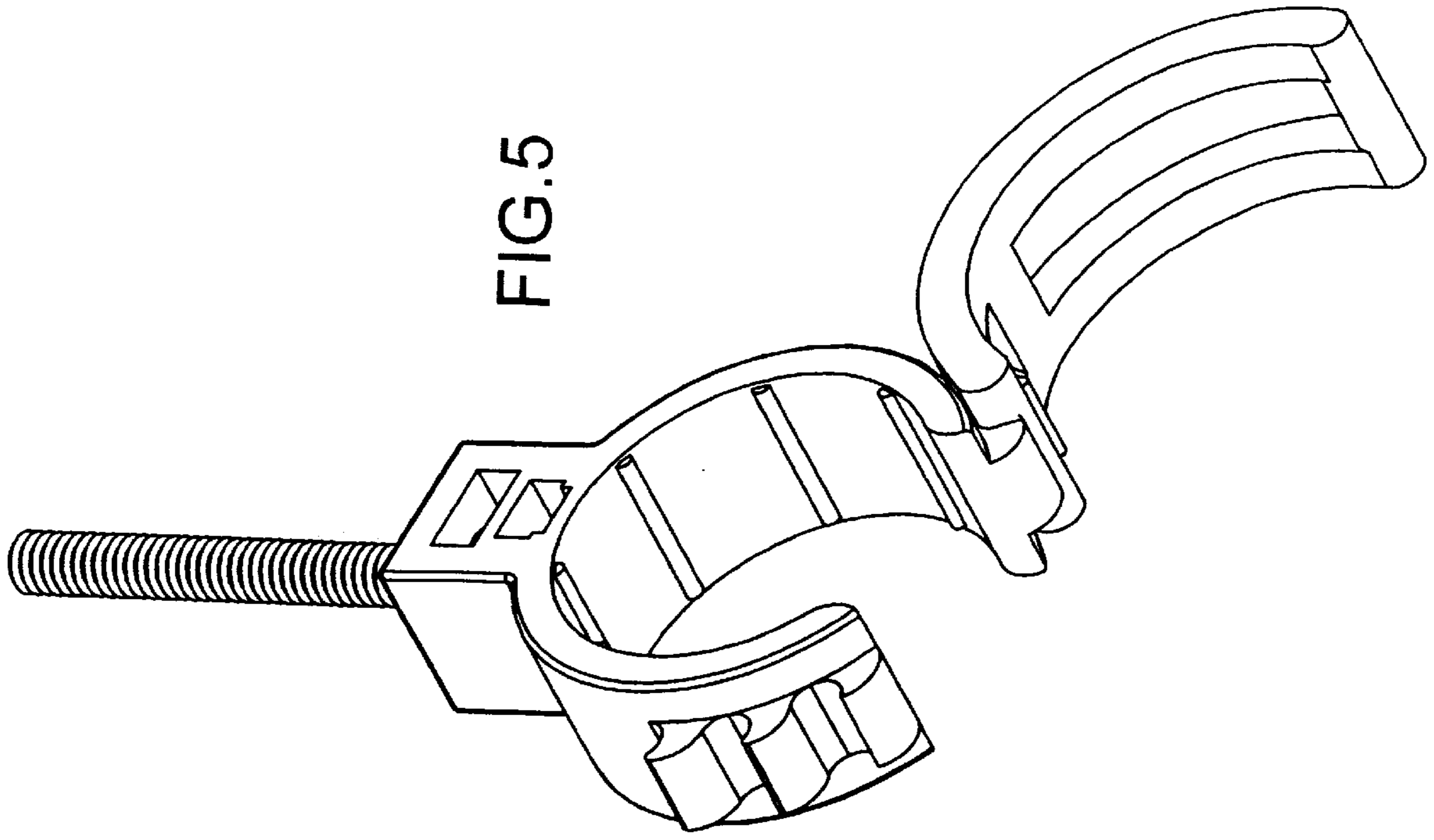


FIG. 5

FIG. 4

FIG. 3

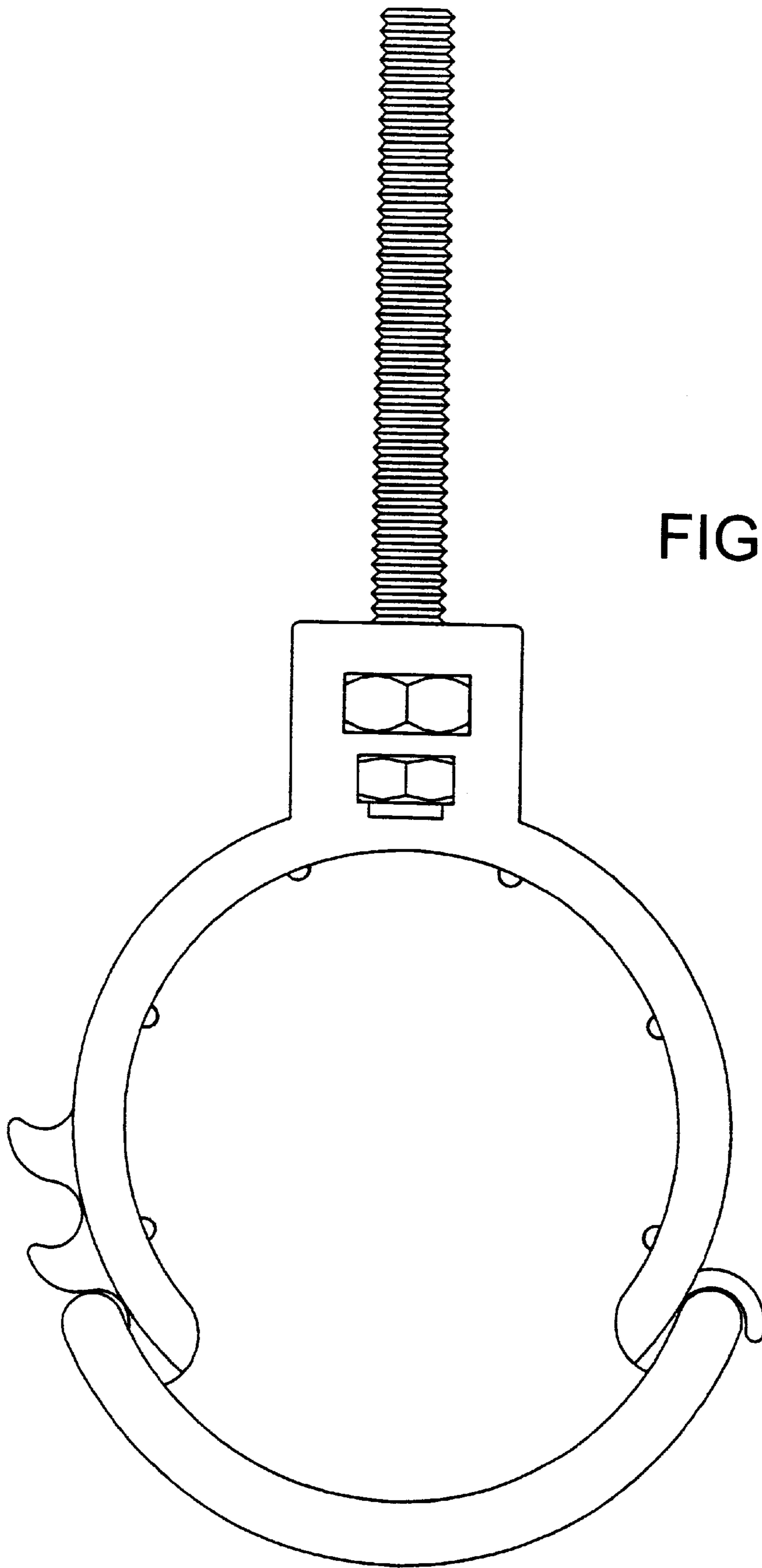


FIG.6