



US00D448652B1

(12) **United States Design Patent**  
**Spear et al.**

(10) **Patent No.:** **US D448,652 S**

(45) **Date of Patent:** **\*\* Oct. 2, 2001**

(54) **DESIGN FOR A HOSE REEL**

(75) Inventors: **Kenneth J. Spear**, Vienna, WV (US);  
**Steven F. Brooker**, Marietta, OH (US)

(73) Assignee: **Ames True Temper, Inc.**, Parkersburg,  
WV (US)

(\*\*) Term: **14 Years**

(21) Appl. No.: **29/123,046**

(22) Filed: **May 10, 2000**

(51) **LOC (7) Cl.** ..... **08-05**

(52) **U.S. Cl.** ..... **D8/359**

(58) **Field of Search** ..... 137/355.2; 242/403.1,  
242/391; D8/359

(56) **References Cited**

**U.S. PATENT DOCUMENTS**

D. 418,739 \* 1/2000 Whitehead et al. .... D8/359

\* cited by examiner

*Primary Examiner*—Holly Baynham

(74) *Attorney, Agent, or Firm*—Pillsbury Winthrop LLP

(57) **CLAIM**

The ornamental design for a hose reel, as shown and described.

**DESCRIPTION**

FIG. 1 is a perspective view of the hose reel of our invention;

FIG. 2 is an elevational view on one side;

FIG. 3 is an elevational view of the rear side;

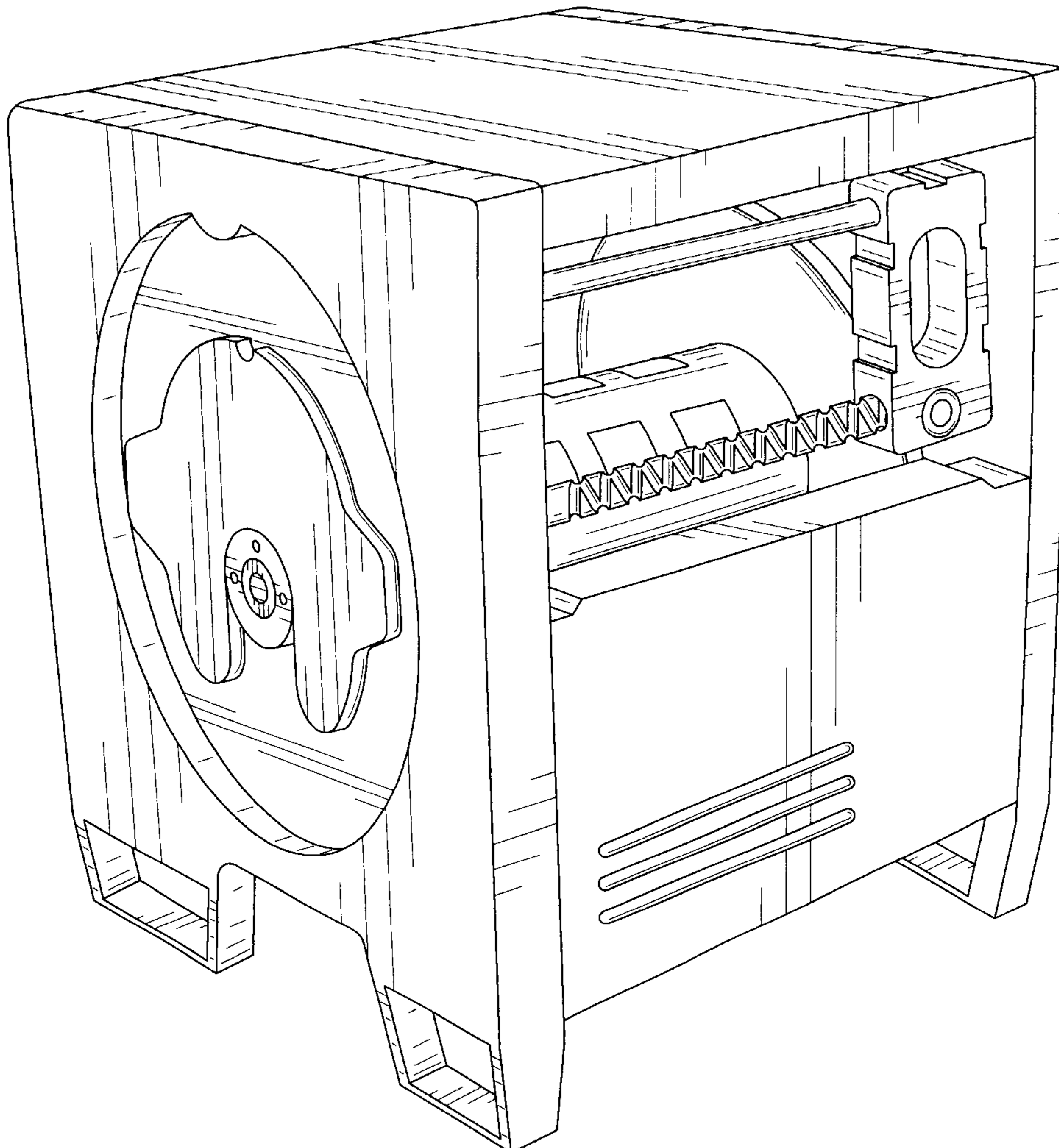
FIG. 4 is a side view of the opposite side as that shown in FIG. 2;

FIG. 5 is an elevational view of the front side;

FIG. 6 is a plan view of the bottom; and,

FIG. 7 is a plan view of the top of the hose reel.

**1 Claim, 7 Drawing Sheets**



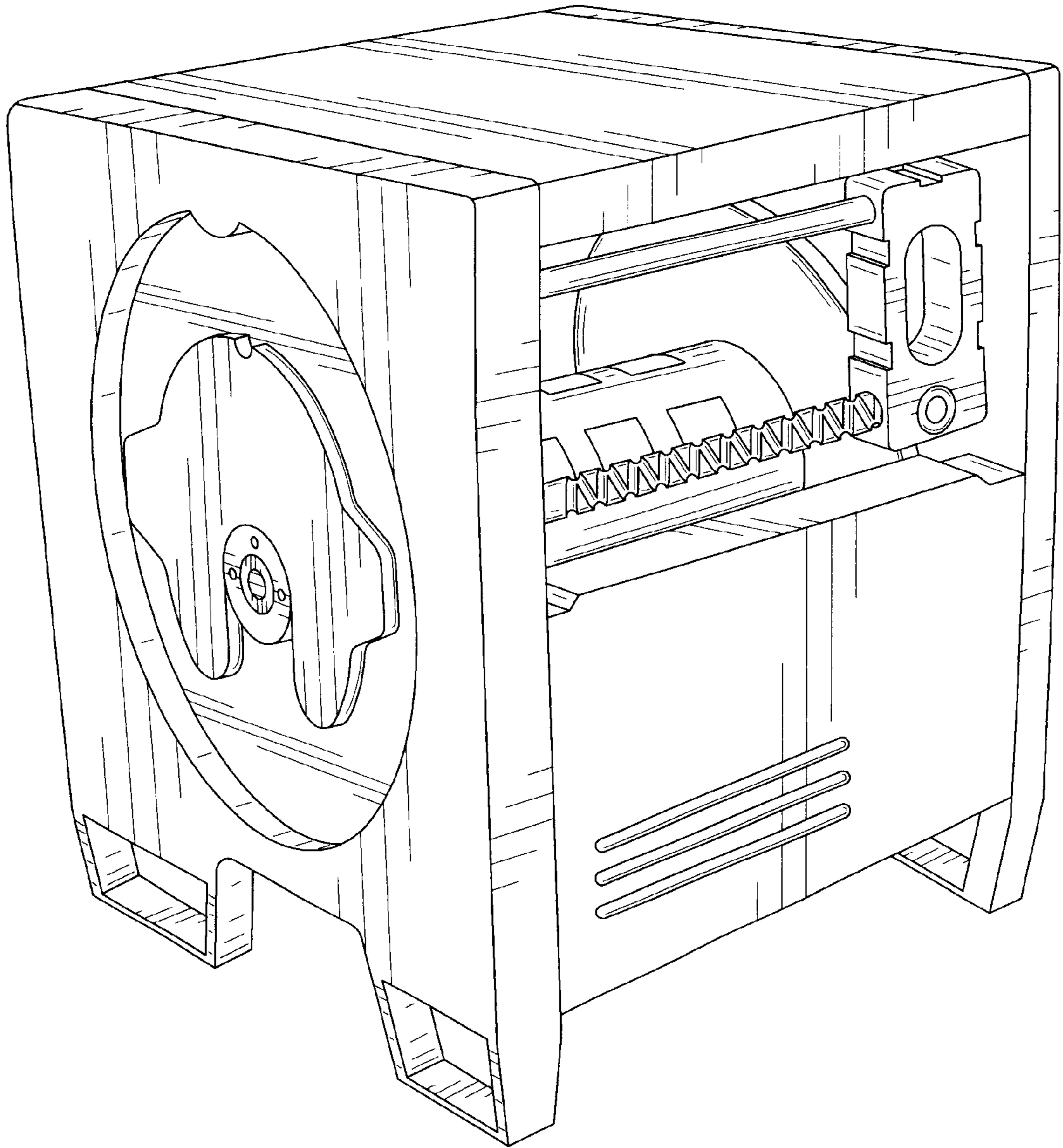


FIG. 1

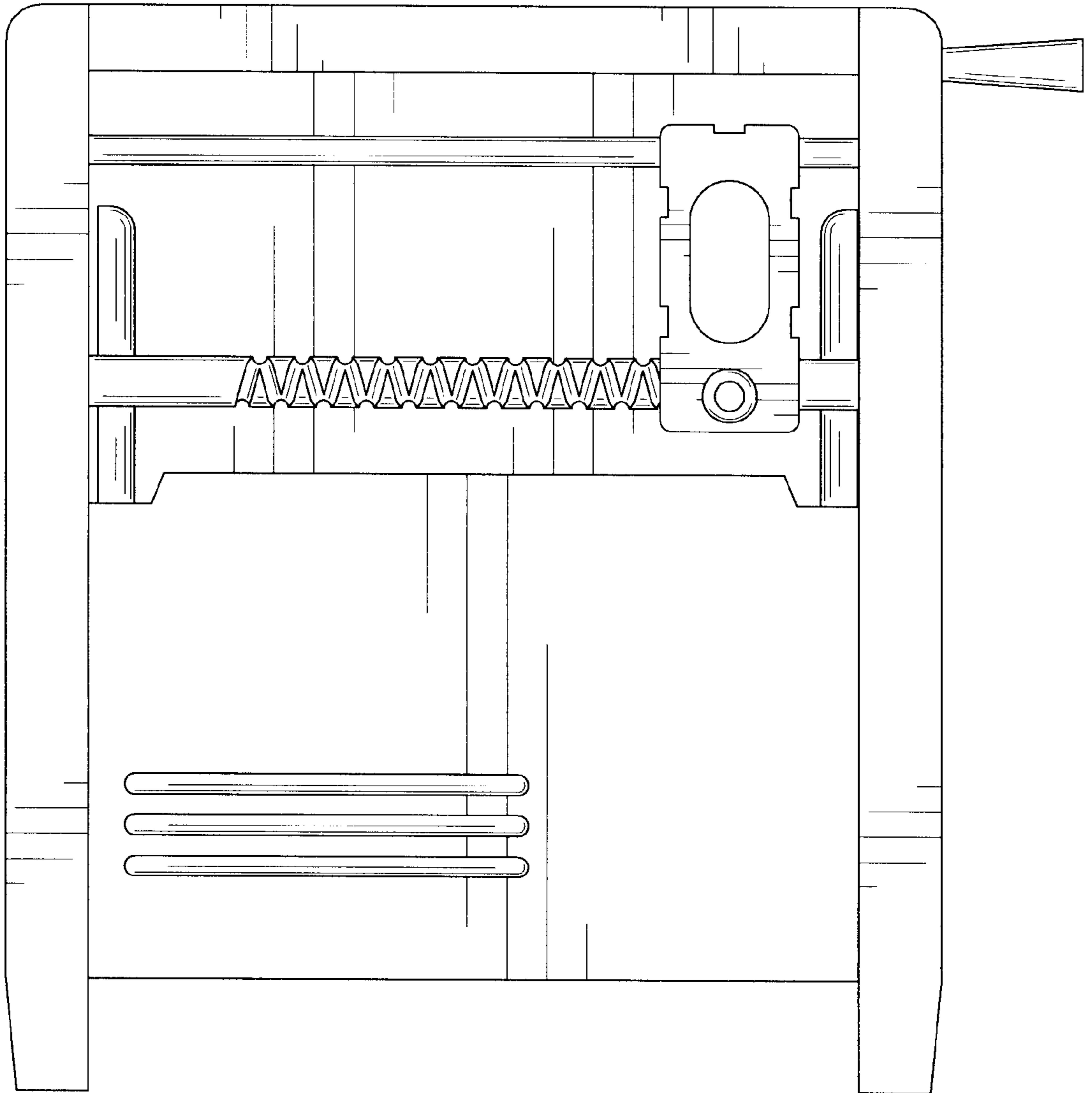


FIG. 2

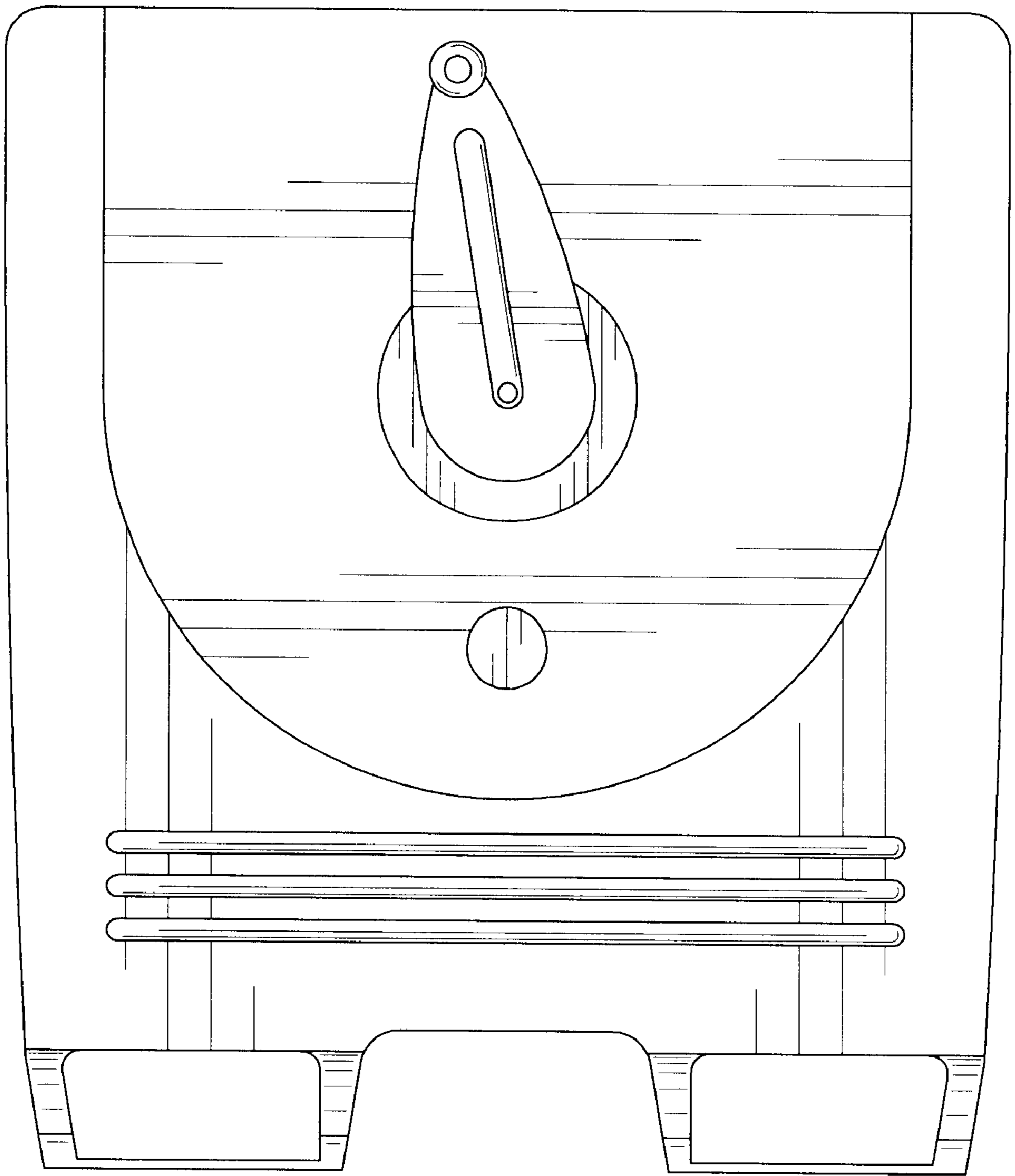


FIG. 3

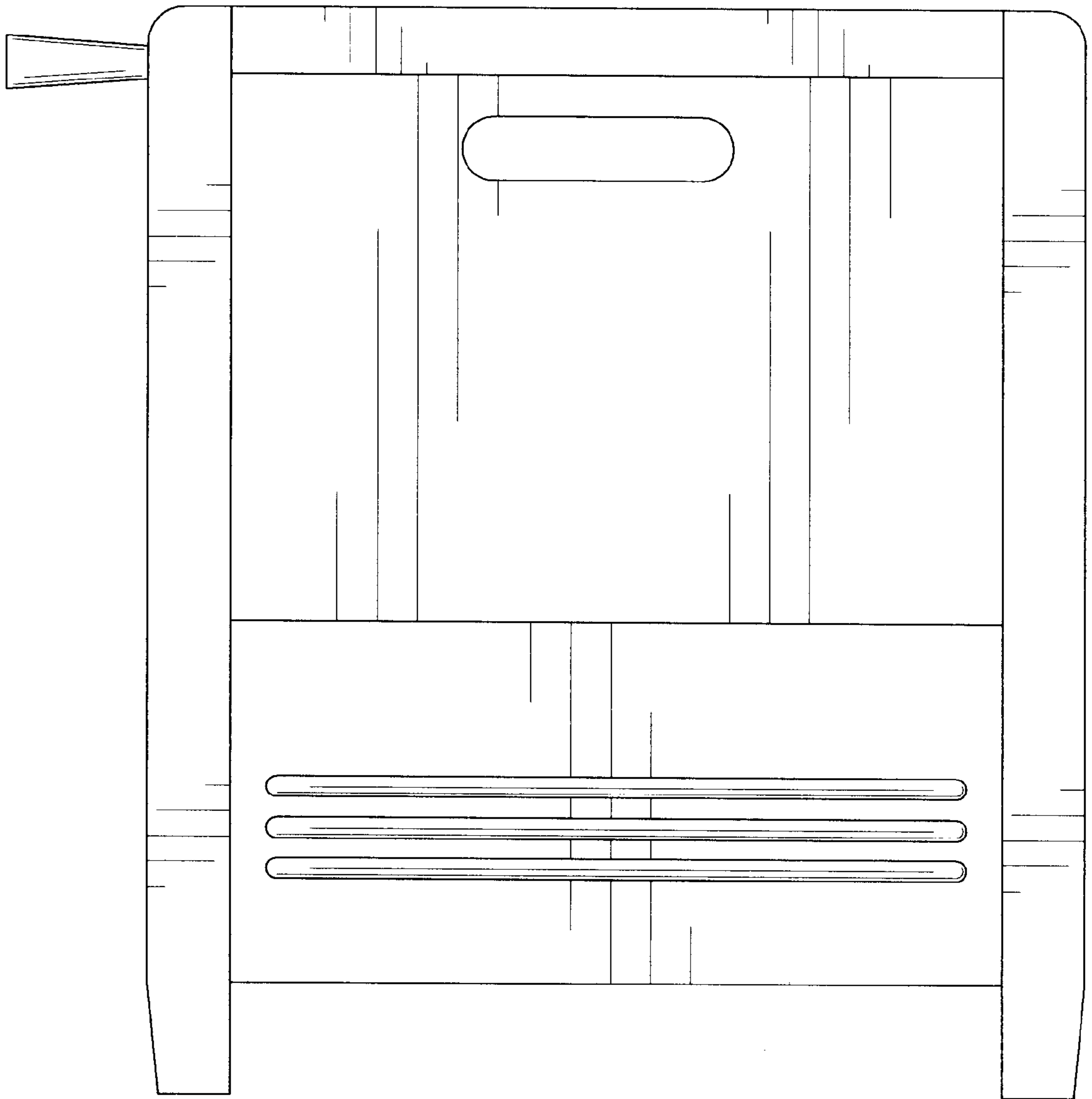


FIG. 4

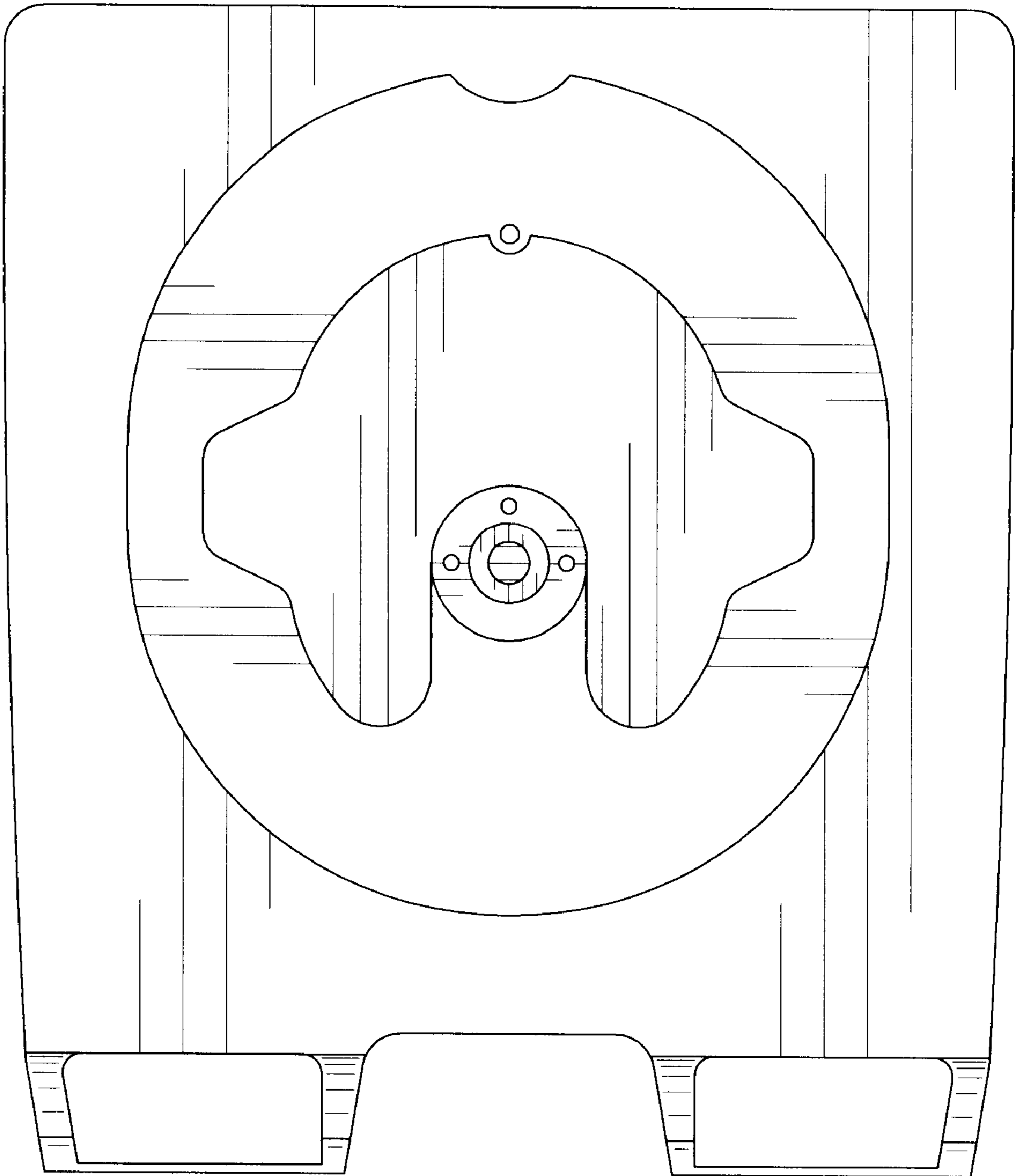


FIG. 5

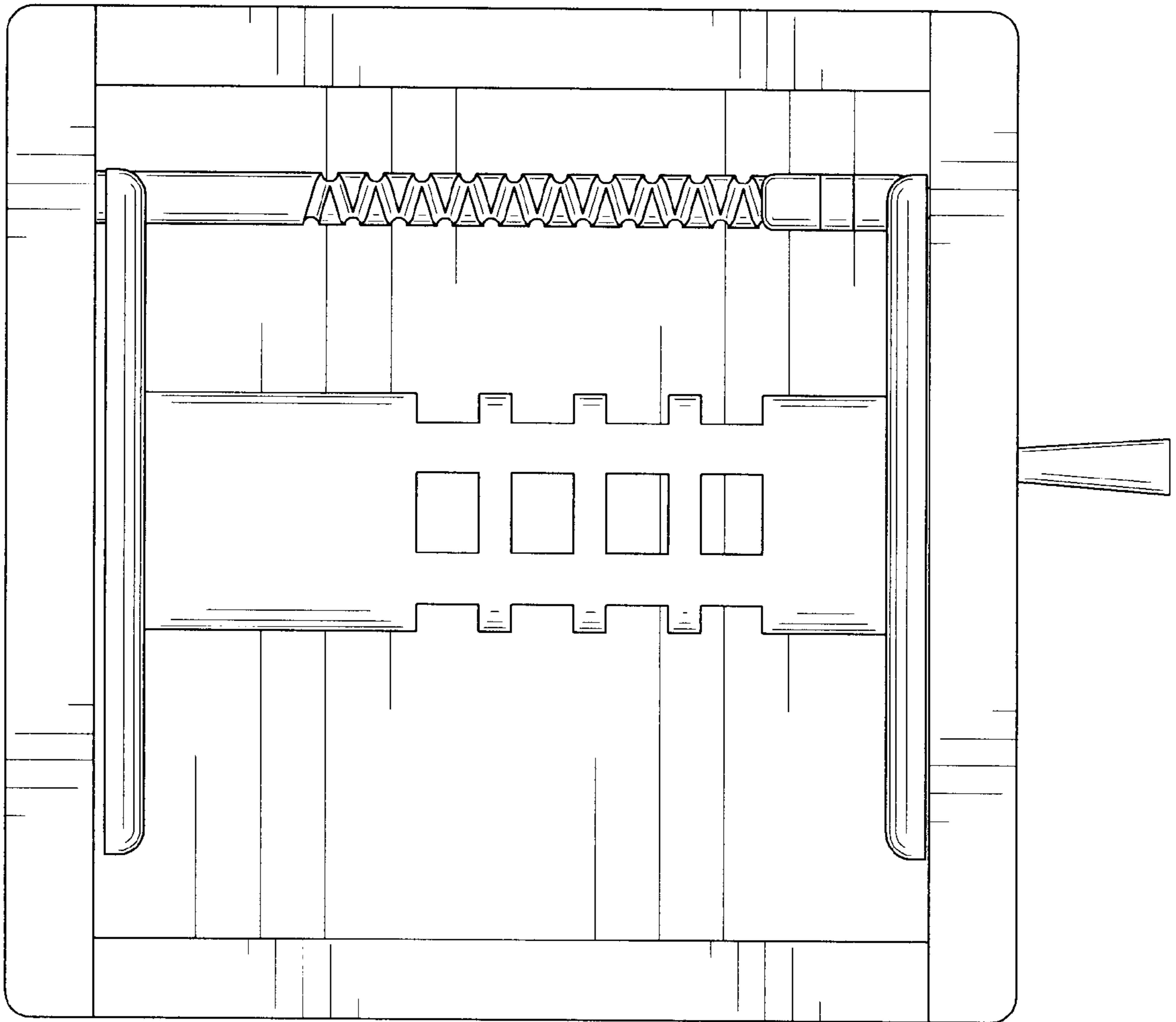


FIG. 6

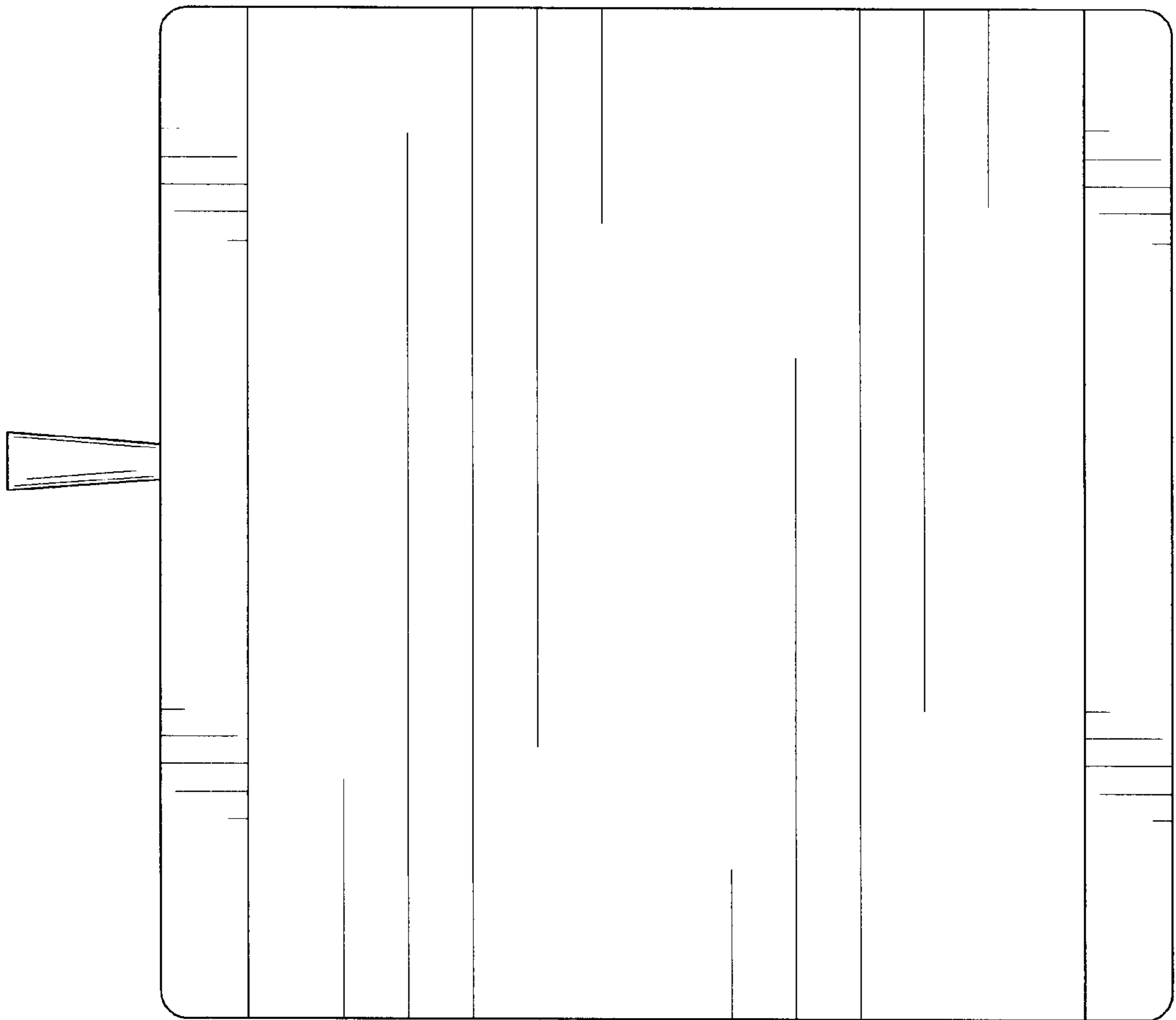


FIG. 7