



US00D448651B1

(12) **United States Design Patent**  
**Kovacik et al.**

(10) **Patent No.:** **US D448,651 S**

(45) **Date of Patent:** **\*\* Oct. 2, 2001**

(54) **ELECTRICAL CORD REEL**

(75) **Inventors:** **James D. Kovacik**, Brecksville; **Paul S. Blanch**, Broadview Heights; **Joseph J. Smith**, Wooster, all of OH (US)

(73) **Assignee:** **Alert Stamping & Mfg. Co, Inc.**, Bedford Heights, OH (US)

(\*\*) **Term:** **14 Years**

(21) **Appl. No.:** **29/134,104**

(22) **Filed:** **Dec. 15, 2000**

(51) **LOC (7) Cl.** ..... **08-05**

(52) **U.S. Cl.** ..... **D8/358**

(58) **Field of Search** ..... D8/358, 359; 191/12.2 R, 191/12.4; 242/395, 404, 403.1, 388.1; D13/110

(56) **References Cited**

**U.S. PATENT DOCUMENTS**

D. 260,073	8/1981	Wells .	
D. 275,263	* 8/1984	Cutler .....	D8/358
D. 286,503	11/1986	Bobrovniczky .	
D. 289,492	4/1987	Clivio et al. .	
D. 313,166	* 12/1990	Kovacik et al. ....	D8/358
D. 316,030	* 4/1991	Adielsson .....	D8/358
D. 374,166	10/1996	Czerwinski et al. .	
D. 377,477	* 1/1997	Blye .....	D8/358

D. 419,426	1/2000	Kovacik et al. .	
D. 431,179	9/2000	Kovacik et al. .	
4,150,798	* 4/1979	Aragon .....	242/388.1
4,244,536	1/1981	Harrill .	
4,282,954	8/1981	Hill .	
4,520,239	5/1985	Schwartz .	
5,086,988	* 2/1992	LaPoint et al. ....	242/395
5,209,420	5/1993	Simmons et al. .	
6,170,775	1/2001	Kovacik et al. .	

\* cited by examiner

*Primary Examiner*—Pamela Burgess

(74) *Attorney, Agent, or Firm*—MacMillan, Sobanski & Todd, LLC

(57) **CLAIM**

We claim the ornamental design for the electrical cord reel, as shown.

**DESCRIPTION**

FIG. 1 is a perspective view of an electrical cord reel showing my new design;

FIG. 2 is a right side elevation view thereof;

FIG. 3 is a rear view thereof;

FIG. 4 is a left side elevation view thereof;

FIG. 5 is a front elevation view thereof;

FIG. 6 is a top plan view thereof; and,

FIG. 7 is a bottom plan view thereof.

**1 Claim, 2 Drawing Sheets**

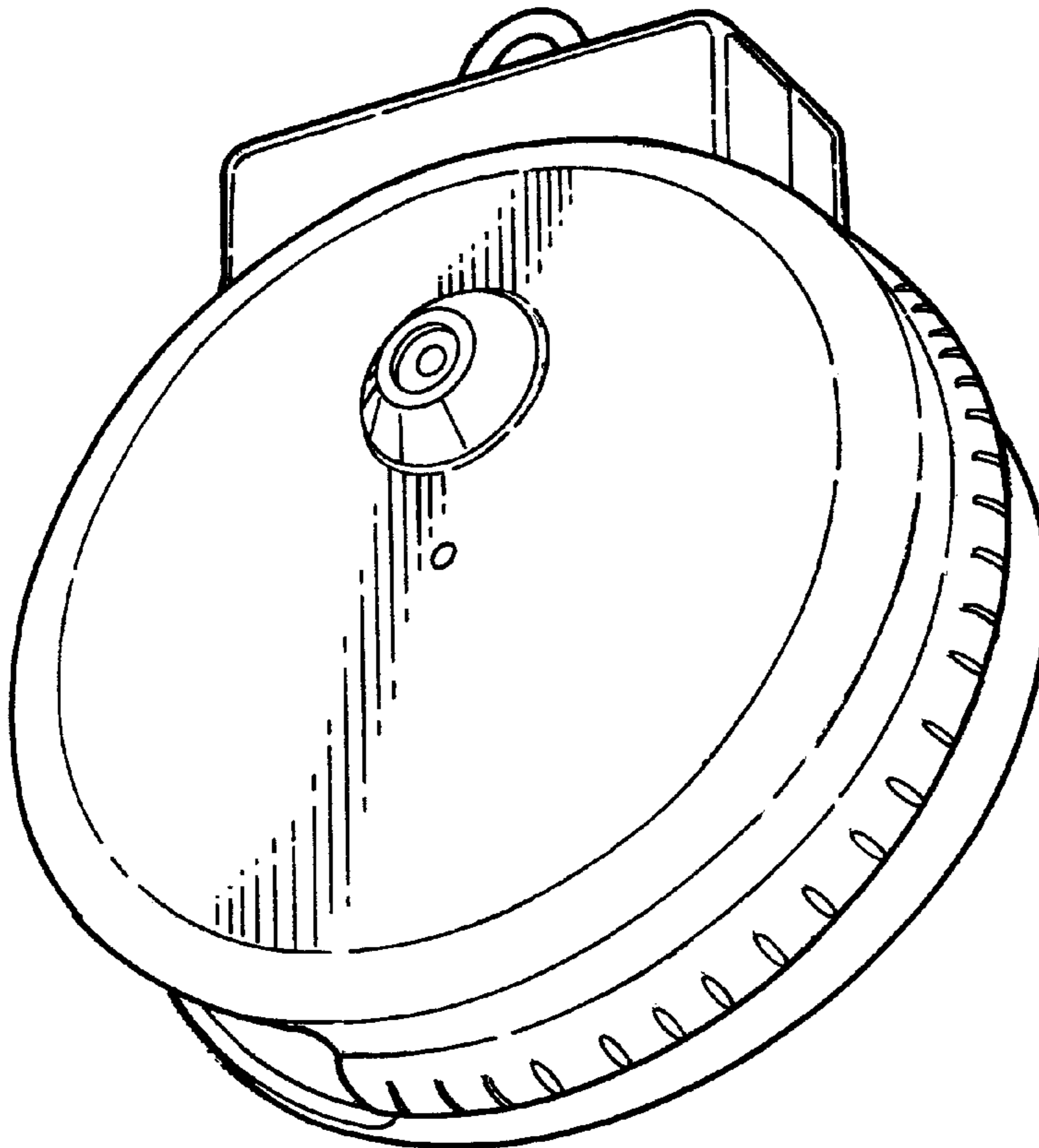


FIG - 1

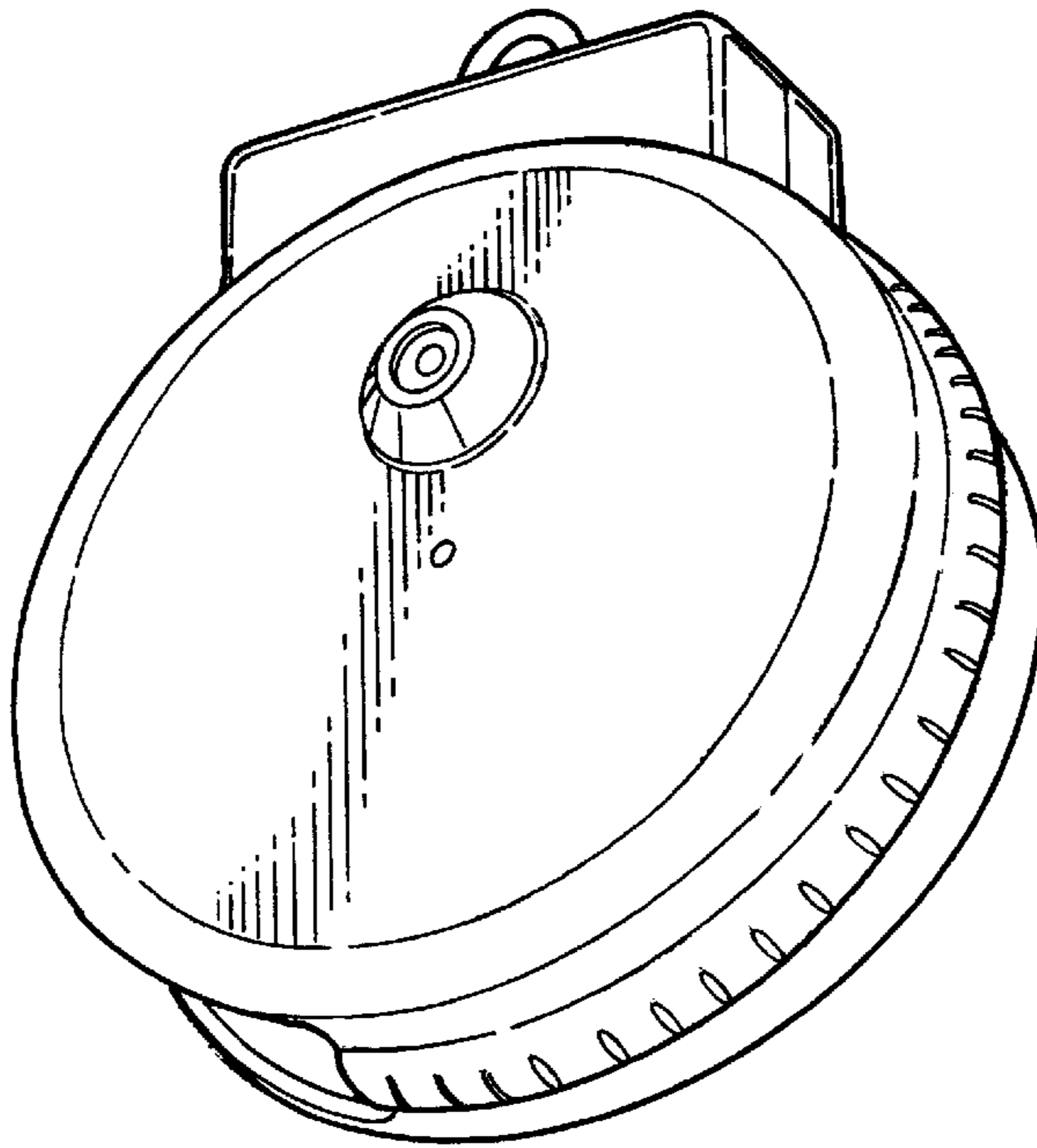


FIG - 2

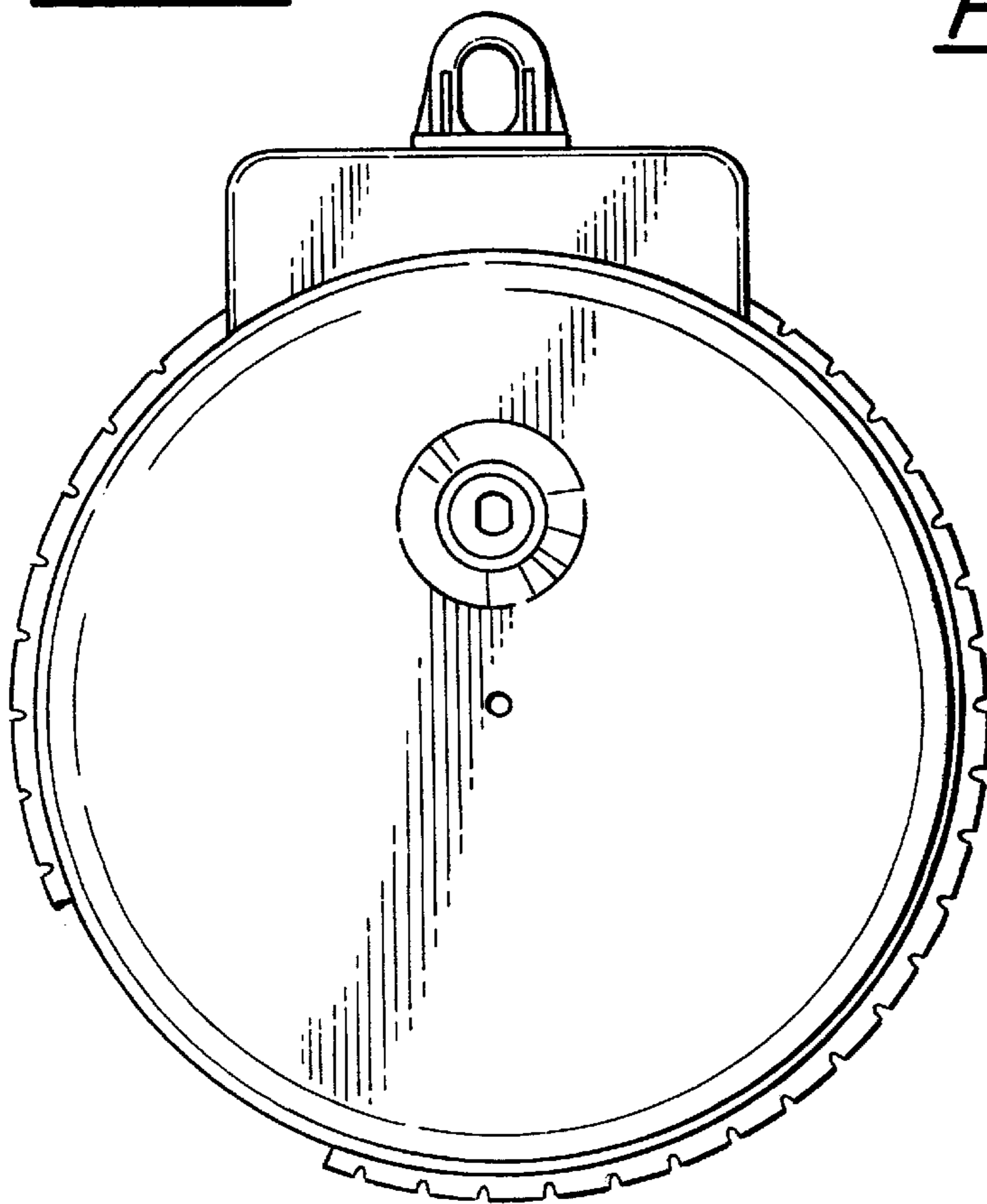
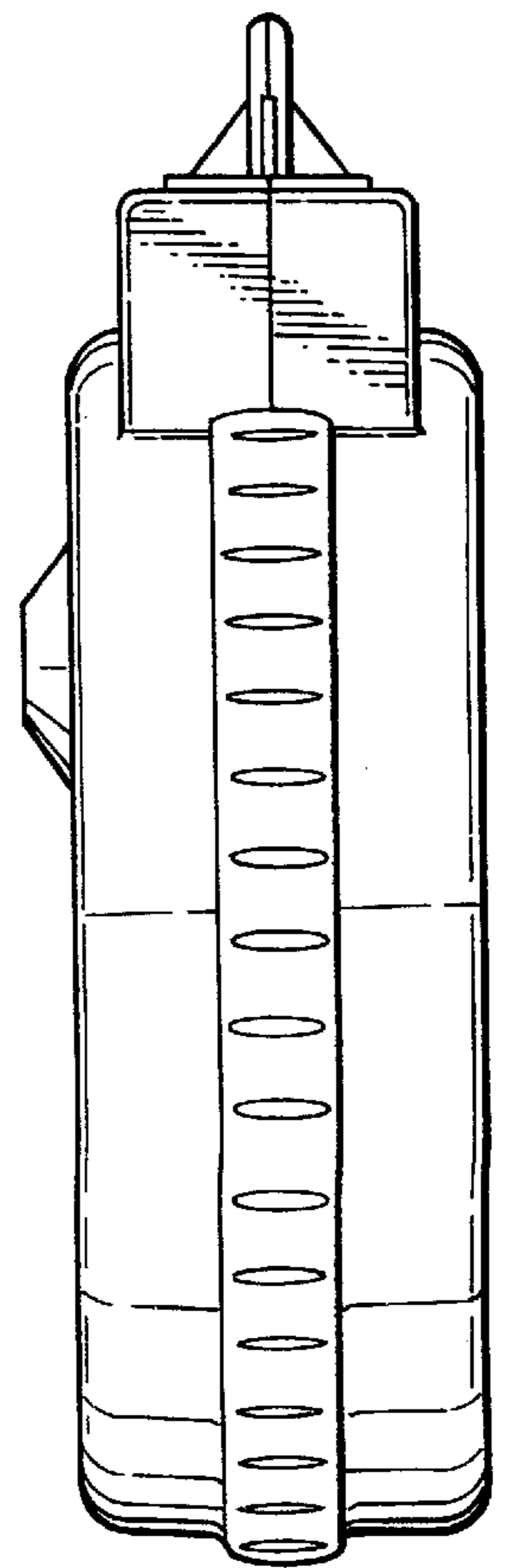


FIG - 3



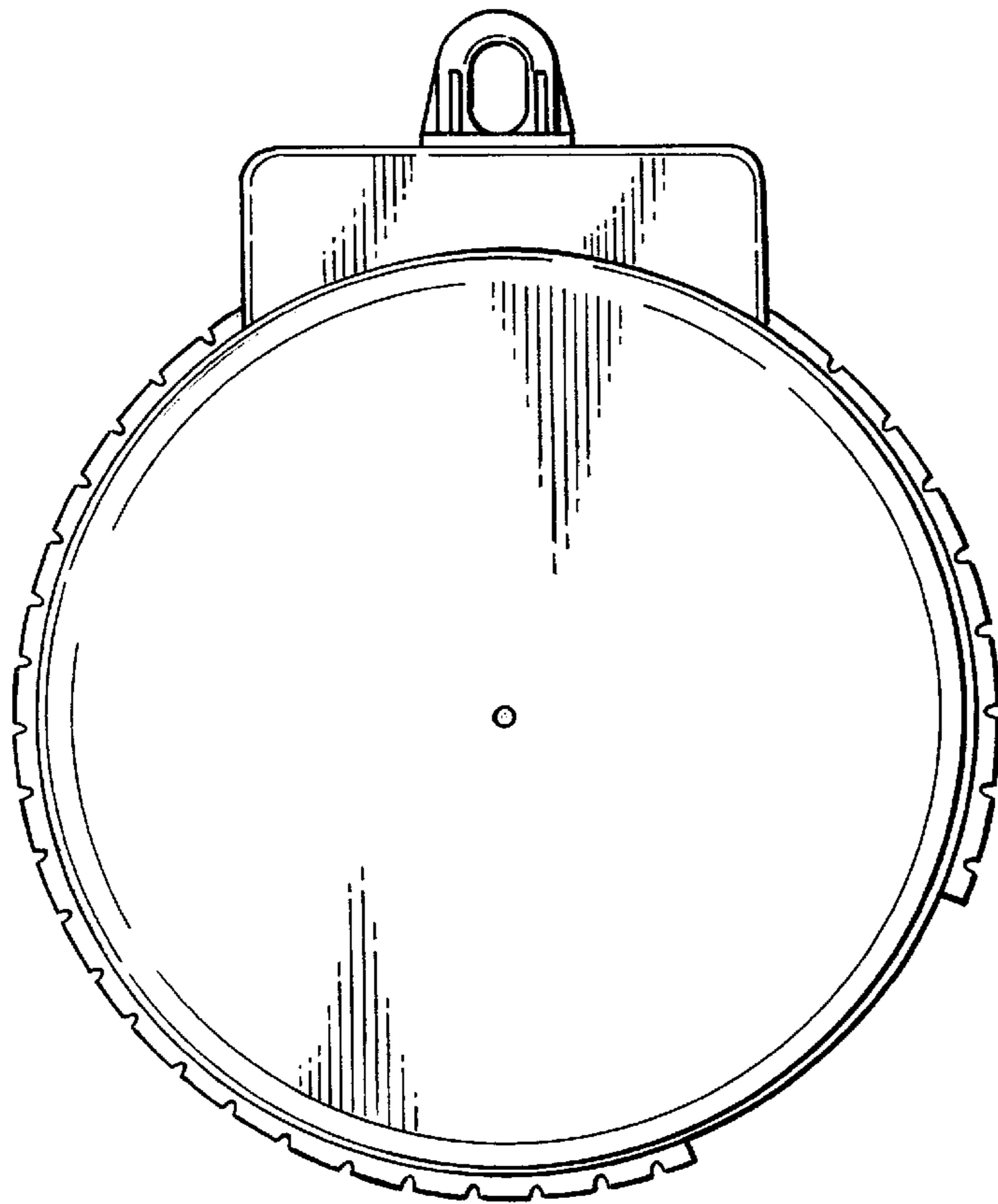


FIG-4

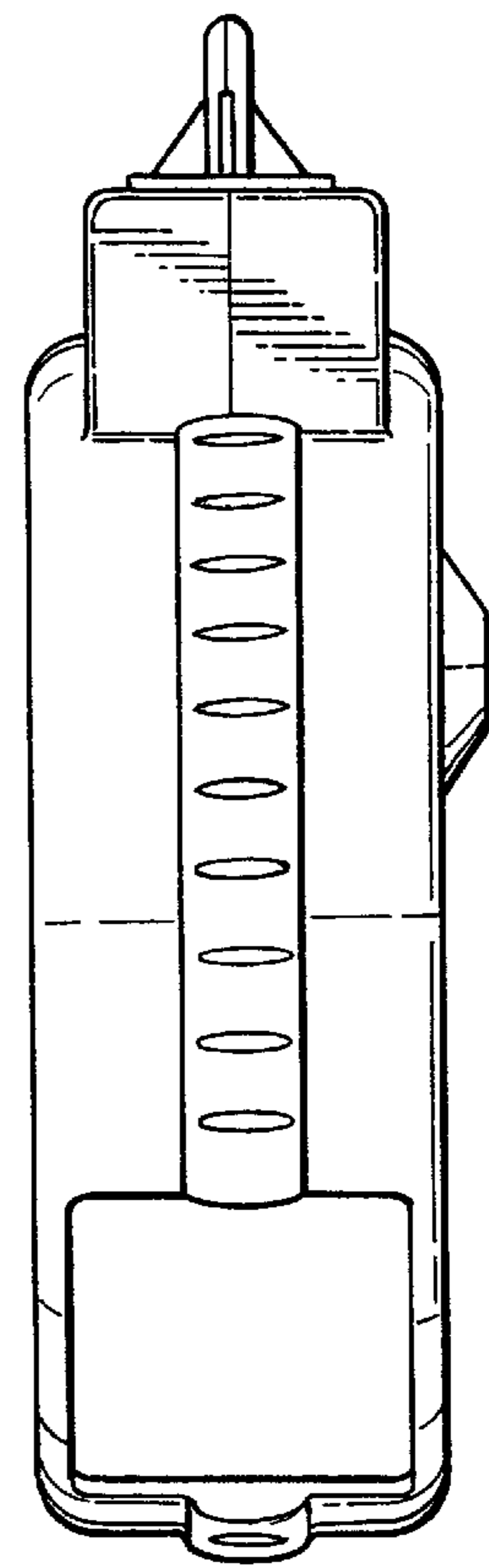


FIG-5

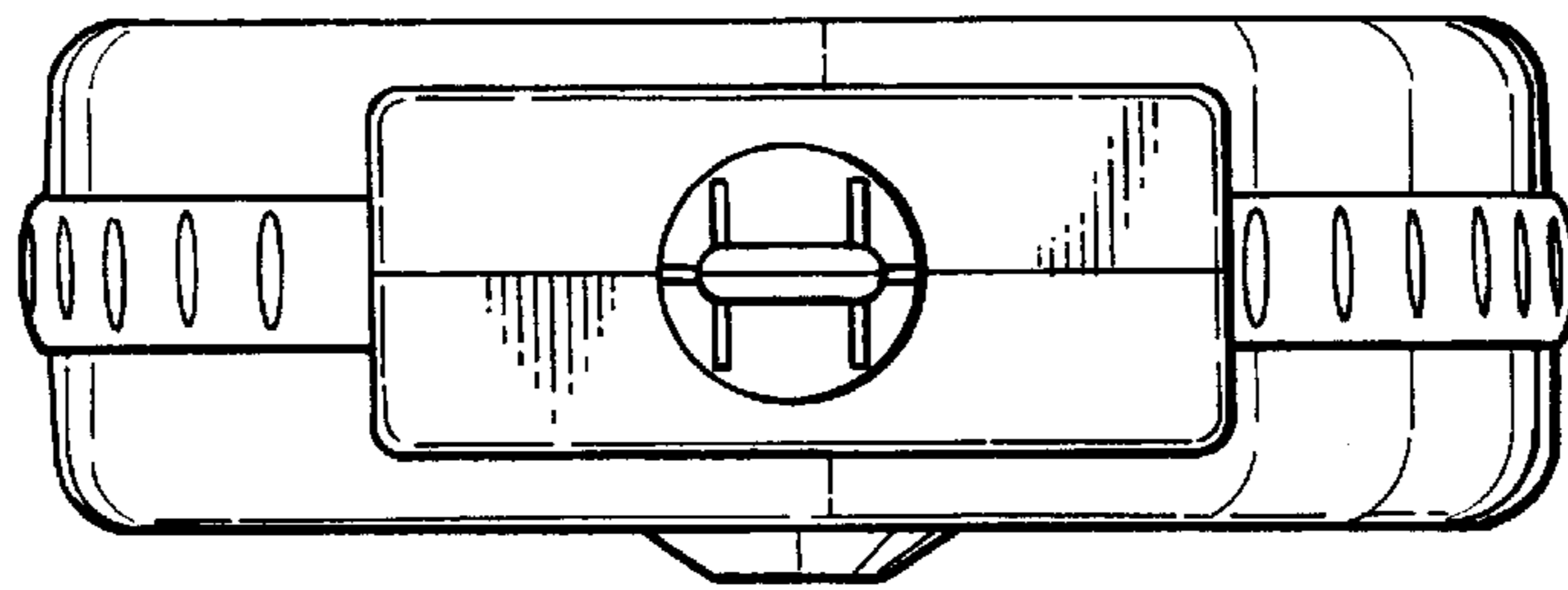


FIG-6

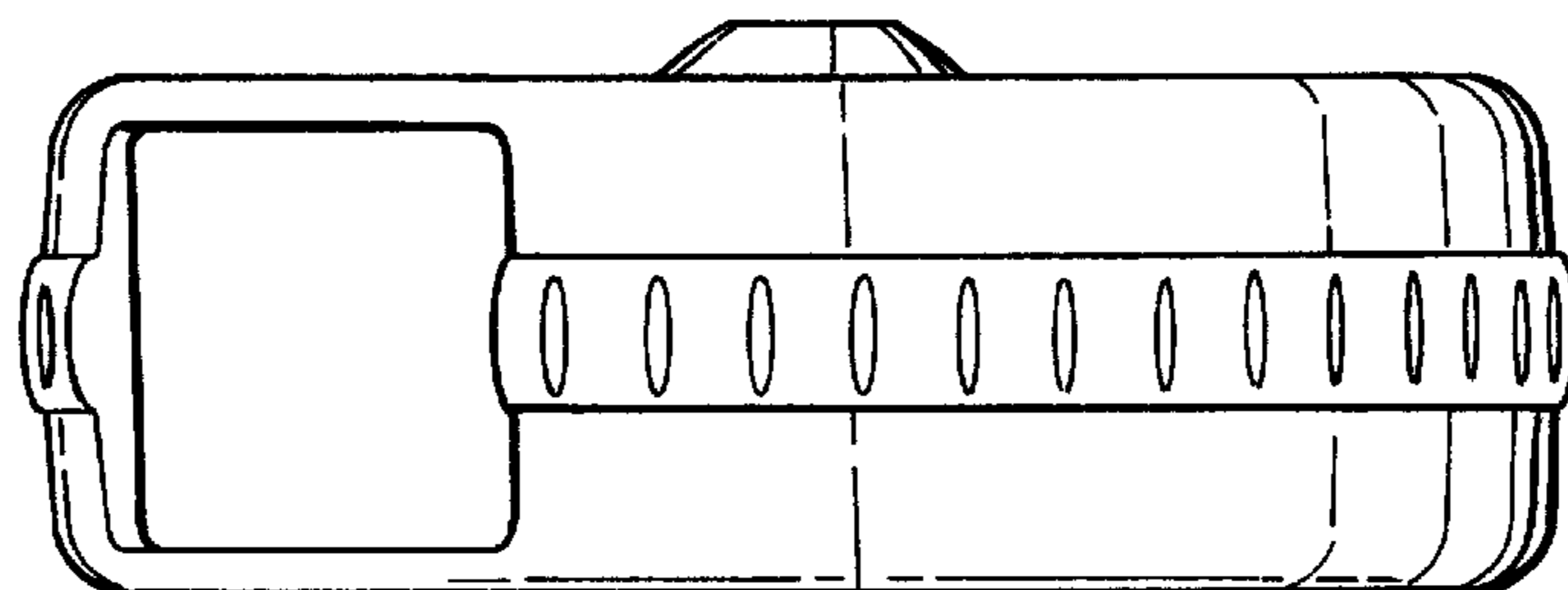


FIG-7