



US00D448650B1

(12) **United States Design Patent**
Vrame

(10) **Patent No.:** **US D448,650 S**

(45) **Date of Patent:** **** Oct. 2, 2001**

(54) **CONDUIT SPACING AND SUPPORTING BRACKET**

(75) **Inventor:** **Peter A. Vrame**, Barrington Hills, IL (US)

(73) **Assignee:** **3244 Corporation**, Chicago, IL (US)

(**) **Term:** **14 Years**

(21) **Appl. No.:** **29/139,881**

(22) **Filed:** **Apr. 6, 2001**

(51) **LOC (7) Cl.** **08-05**

(52) **U.S. Cl.** **D8/356; D8/354**

(58) **Field of Search** D8/354, 349, 366, D8/356, 373, 376, 377, 380; 248/68.1, 314, 558, 242, 243, 300, 200, 309.1, 552, 94.01, 237, 903, 71, 220.41, 56, 65, 316.7; 52/733.1, 733.2, 733.3, 177, 181; 211/26, 70.1, 87.01, 85.2, 94.01; 119/406, 529; D25/164

(56) **References Cited**

U.S. PATENT DOCUMENTS

- D. 203,337 * 12/1965 Gaither D25/164
- D. 293,203 * 12/1987 Hertensteiner D8/354

- 4,795,121 * 1/1989 Comito 248/314
- 5,615,850 * 4/1997 Cloninger 248/68.1
- 5,971,329 10/1999 Hickey .
- 6,168,122 * 1/2001 Lobsiger et al. 248/68.1

* cited by examiner

Primary Examiner—Pamela Burgess

(74) *Attorney, Agent, or Firm*—Rockey, Milnamow & Katz, Ltd.

(57) **CLAIM**

The ornamental design for a conduit spacing and supporting bracket, as shown and described.

DESCRIPTION

FIG. 1 is a perspective view of a conduit spacing and supporting bracket showing my new design;
 FIG. 2 is top plan thereof;
 FIG. 3 is a front elevation thereof;
 FIG. 4 is a back elevation thereof;
 FIG. 5 is an end elevation showing one end thereof, the other end thereof being a mirror image of the end shown; and,
 FIG. 6 is a bottom plan thereof.
 The broken lines shown in FIGS. 1, 2 and 6 are for illustrative purposes only and form no part of the claimed design.

1 Claim, 1 Drawing Sheet

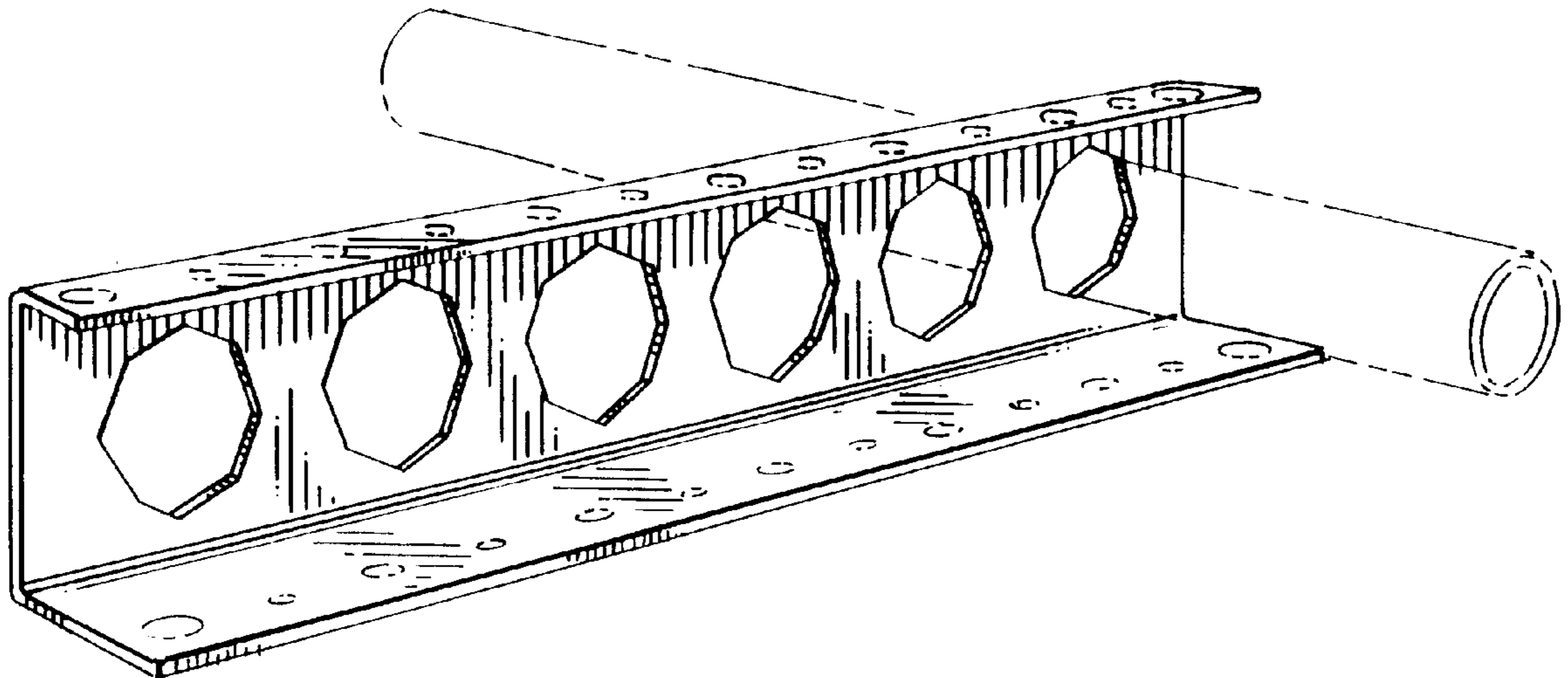


FIG. 1

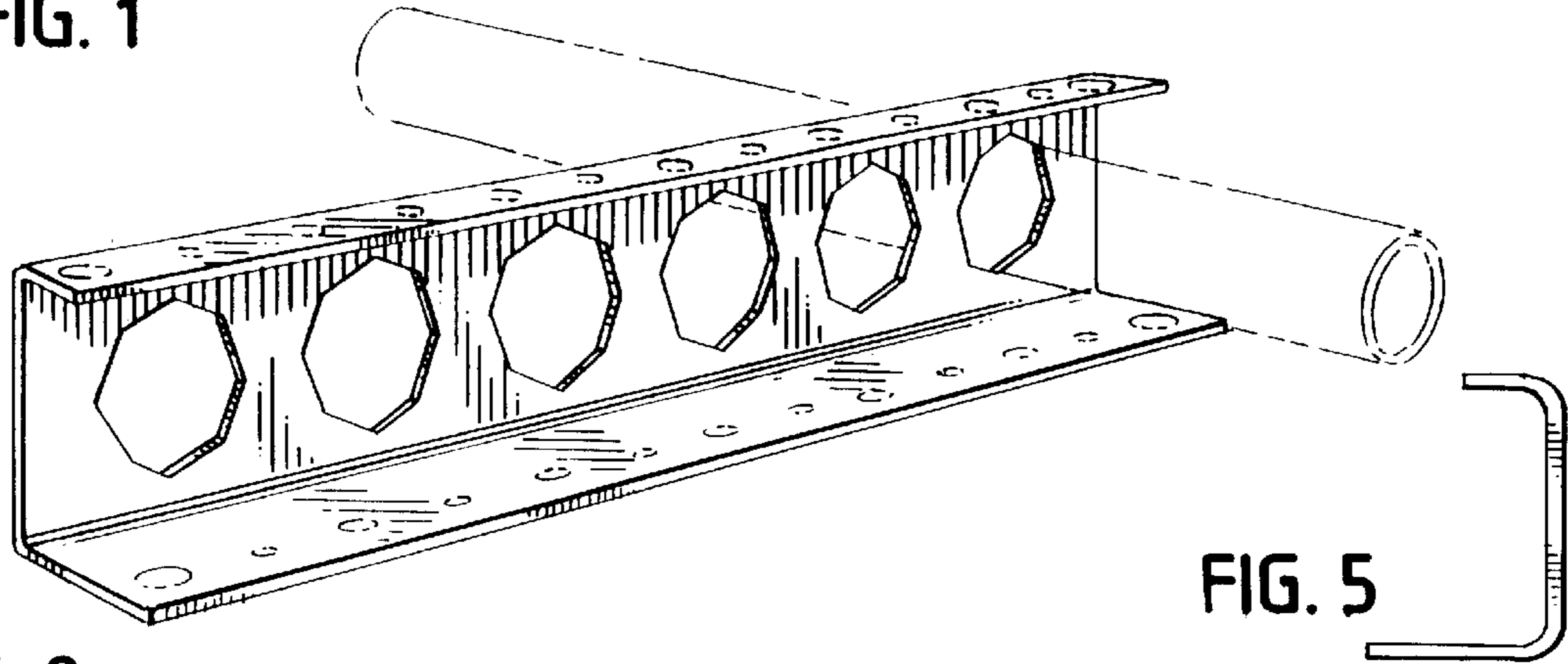


FIG. 5

FIG. 2

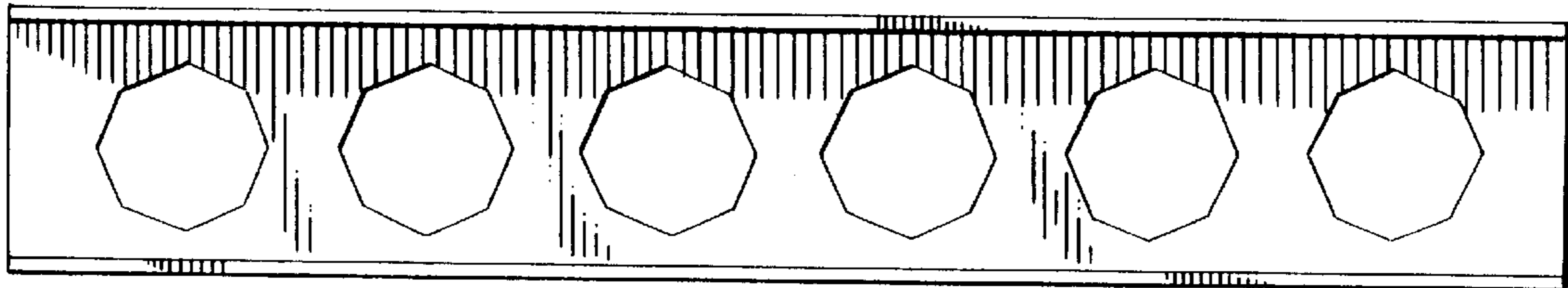
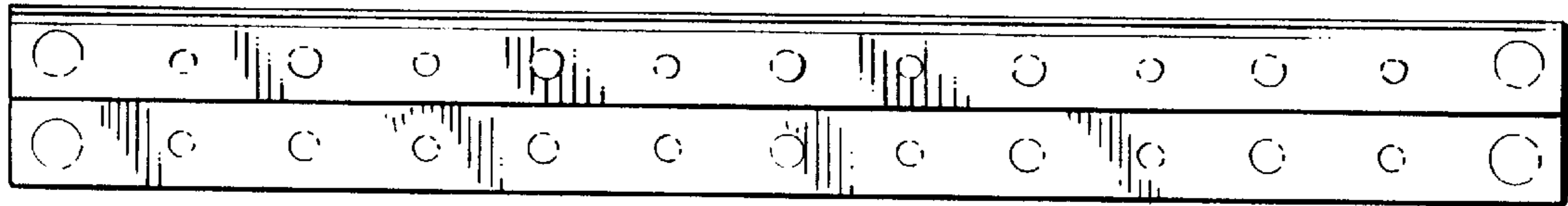


FIG. 3

FIG. 4

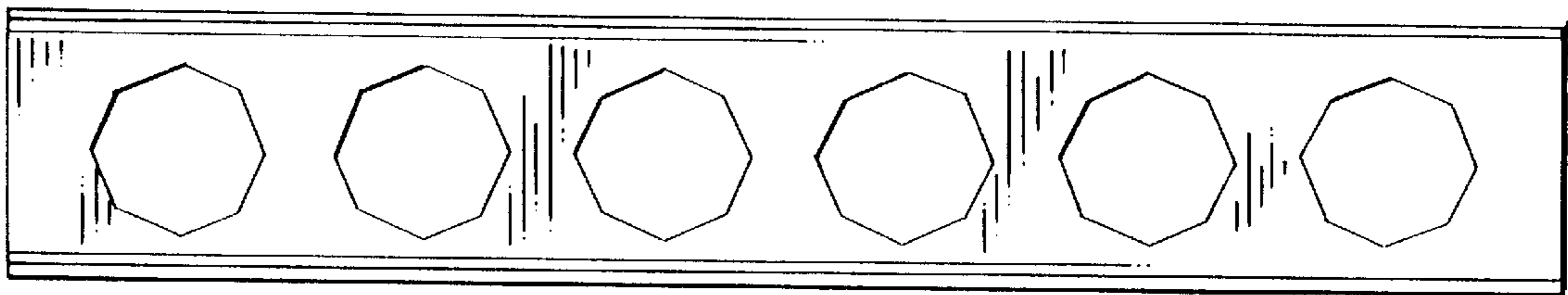


FIG. 6

