



US00D448649B1

(12) **United States Design Patent**
Billhimer

(10) **Patent No.:** **US D448,649 S**

(45) **Date of Patent:** **** Oct. 2, 2001**

(54) **SURFACE MOUNT ELECTRICAL RECEPTACLE**

4,750,094 * 6/1988 Krasik 220/241

* cited by examiner

(76) Inventor: **Jeffrey S Billhimer**, 125 Shannon Ave., West Carrollton, OH (US) 45449

Primary Examiner—B. J. Bullock

(*) Notice: This patent is subject to a terminal disclaimer.

(57) **CLAIM**

The ornamental design for a surface mount electrical receptacle, as shown and described.

(**) Term: **14 Years**

DESCRIPTION

(21) Appl. No.: **29/105,509**

FIG. 1 is a front elevational view of the surface mount electrical receptacle of the present invention;

(22) Filed: **May 27, 1999**

FIG. 2 is an exploded rear elevational view of the surface mount electrical receptacle of FIG. 1;

(51) **LOC (7) Cl.** **11-05**

(52) **U.S. Cl.** **D8/353; D13/177**

FIG. 3 is a left side elevational view of the surface mount electrical receptacle of FIG. 1;

(58) **Field of Search** D8/350, 353; D13/177; 174/66; 220/241; 439/491, 536, 538, 539, 540.1, 544, 594, 595, 597

FIG. 4 is a right side elevational view of the surface mount electrical receptacle of FIG. 1;

(56) **References Cited**

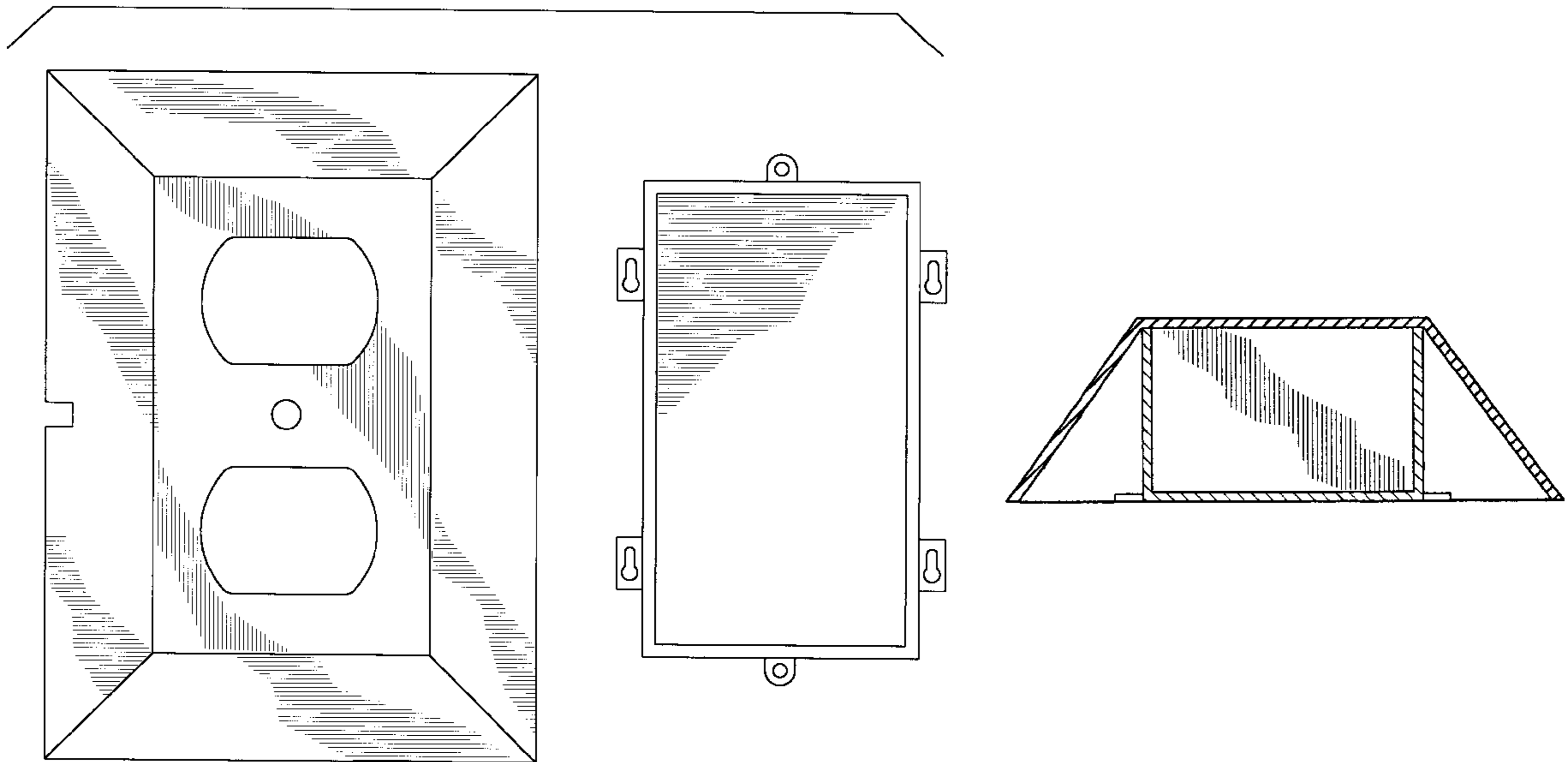
U.S. PATENT DOCUMENTS

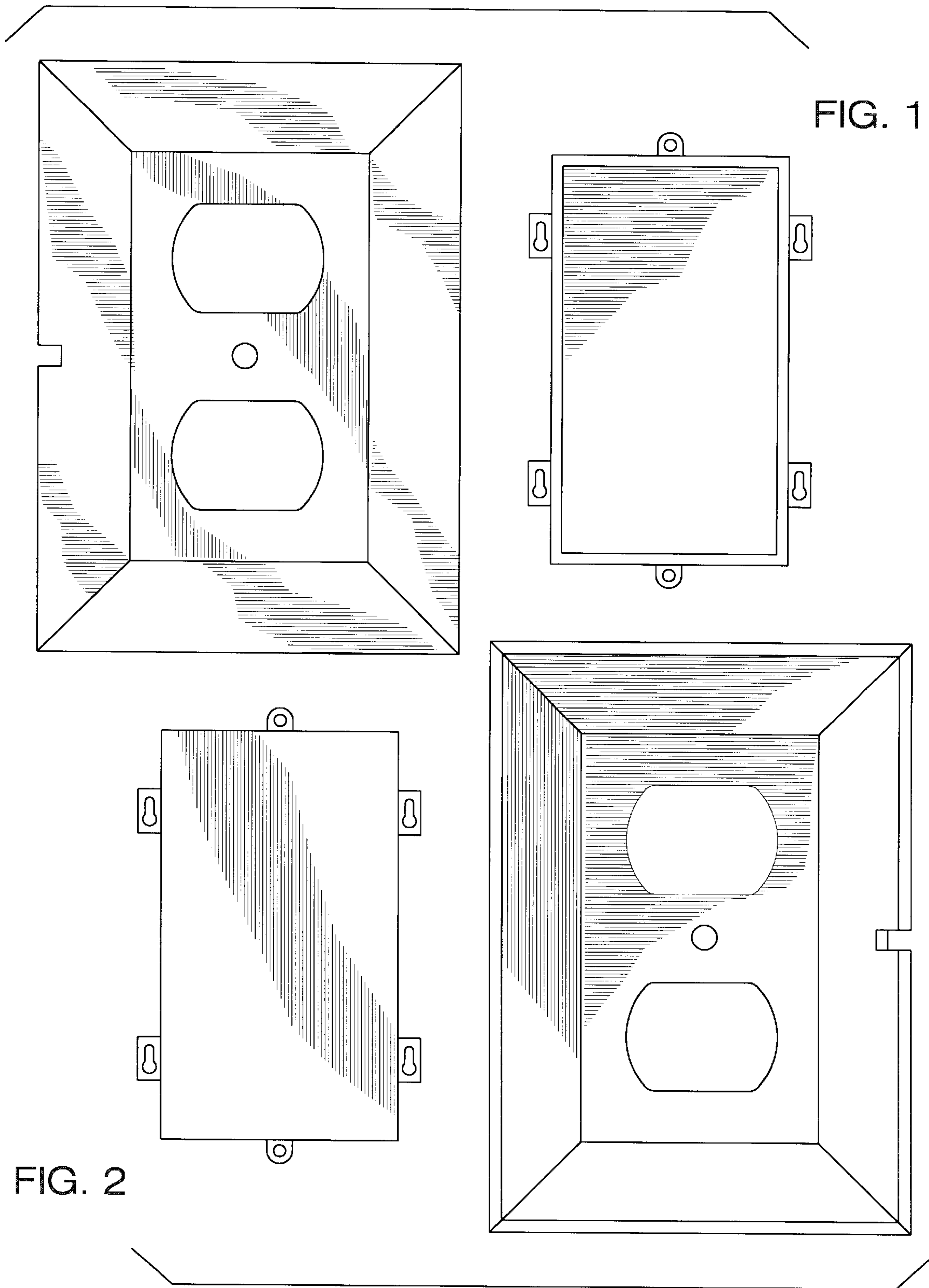
- D. 417,656 * 12/1999 Billhimer D13/177
- 4,090,769 * 5/1978 Damsky 174/66
- 4,504,698 * 3/1985 Greenwood 174/66
- 4,566,666 * 1/1986 Meska et al. 174/66
- 4,647,725 * 3/1987 Dellinger et al. .

FIG. 5 is a top plan view of the surface mount electrical receptacle of FIG. 1, the bottom plan view being a mirror image thereof; and,

FIG. 6 is an assembled cross-sectional view taken laterally through the center of the surface mount electrical receptacle of FIG. 1.

1 Claim, 3 Drawing Sheets





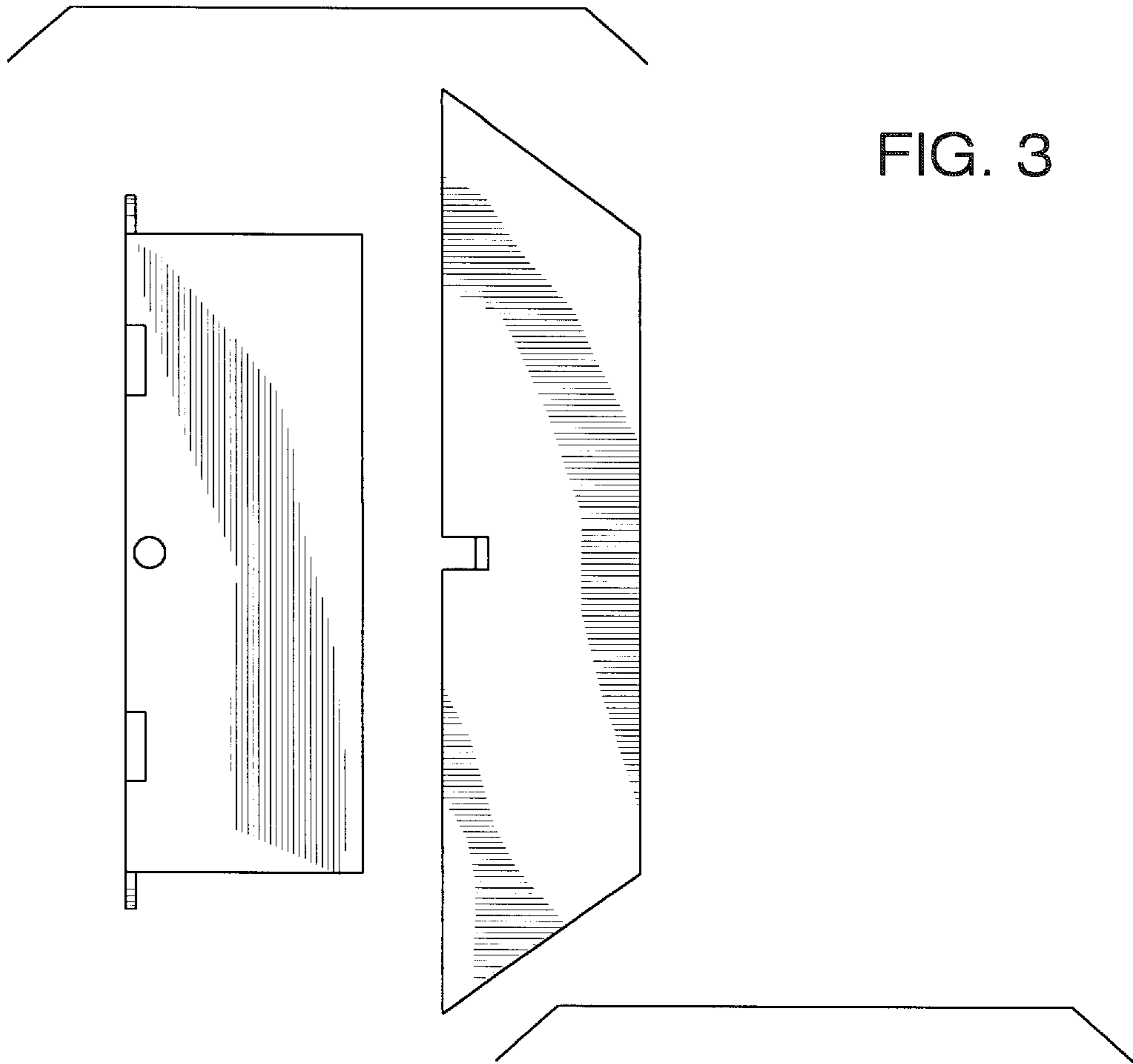


FIG. 3

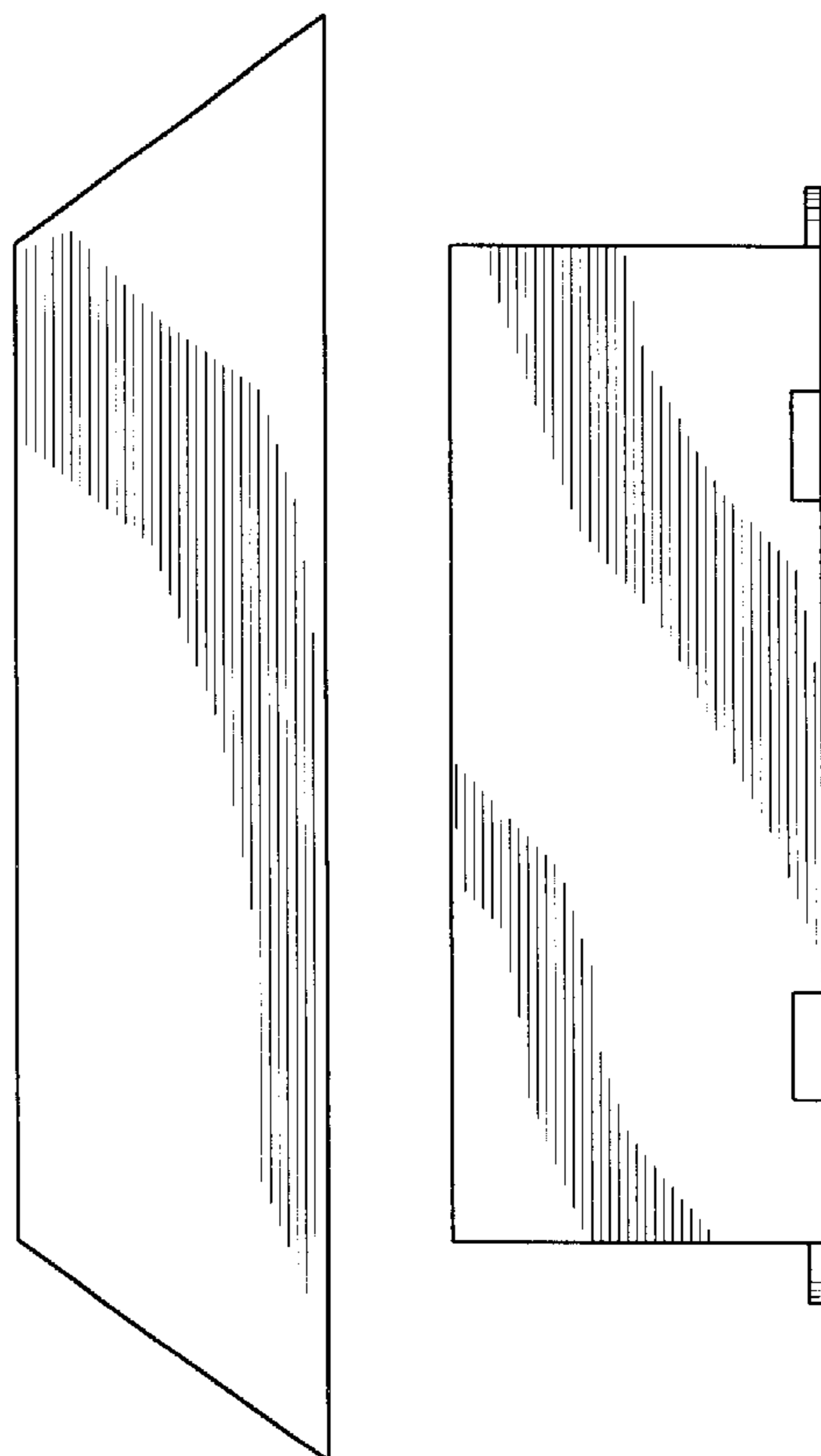


FIG. 4

FIG. 5

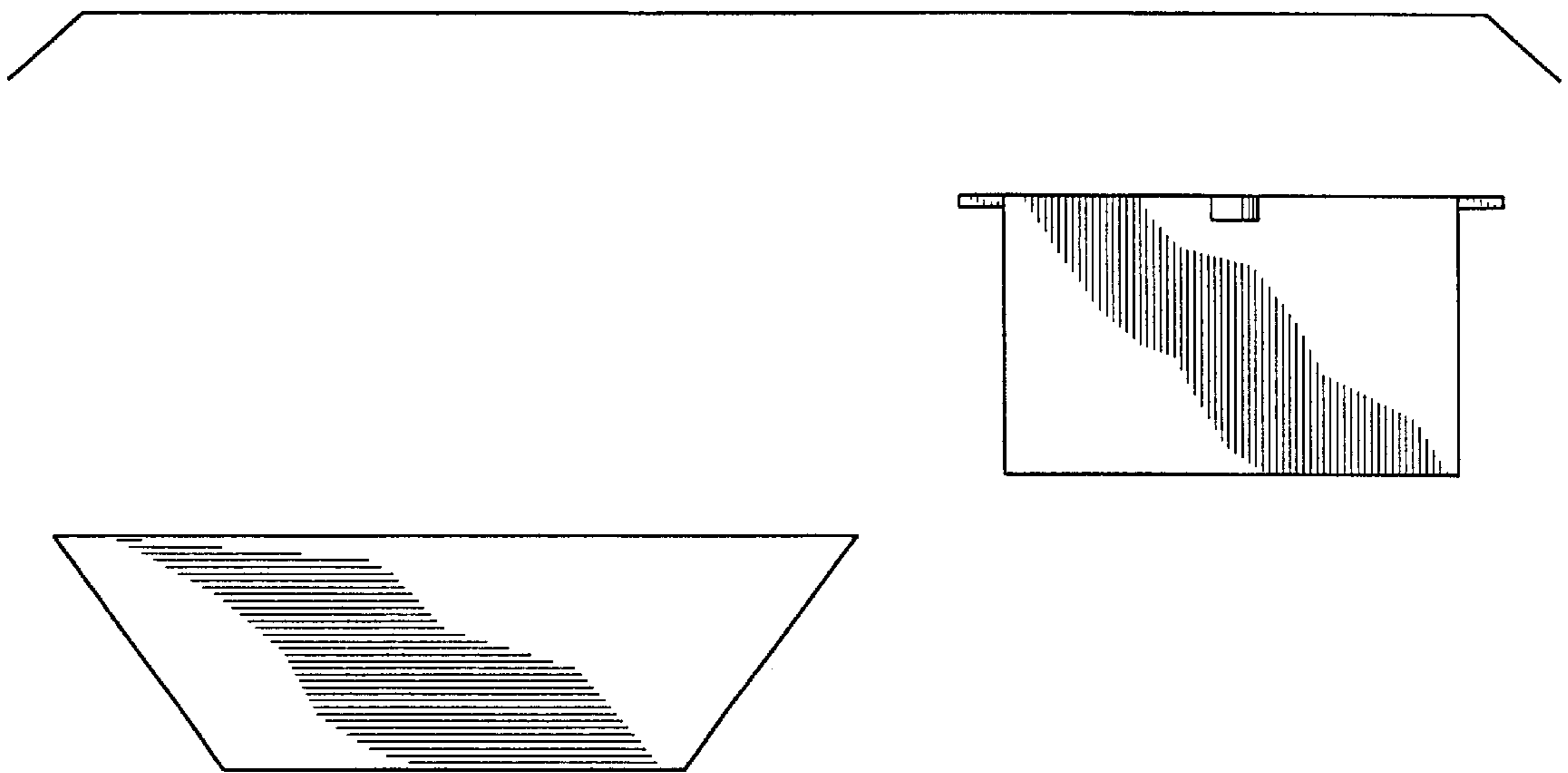


FIG. 6

