



US00D448644B1

(12) **United States Design Patent**  
**Perala et al.**

(10) **Patent No.:** **US D448,644 S**

(45) **Date of Patent:** **\*\* Oct. 2, 2001**

(54) **PUNCHDOWN TOOL**

(75) Inventors: **John P. Perala**, Malibu; **Michael M. Fallandy**, Ventura, both of CA (US)

(73) Assignee: **Harris Corporation**, Melbourne, FL (US)

(\*\*) Term: **14 Years**

(21) Appl. No.: **29/097,995**

(22) Filed: **Dec. 18, 1998**

(51) **LOC (7) Cl.** ..... **08-04**

(52) **U.S. Cl.** ..... **D8/107; D8/83**

(58) **Field of Search** ..... D8/14, 82, 83, D8/84, 85, 86, 87, 105, 107, 303; 81/436, 117.85, 177.4, 440, 438, 439; 30/366, 295; 16/110 R

(56) **References Cited**

**U.S. PATENT DOCUMENTS**

- D. 371,499 \* 7/1996 Gomas ..... D8/107
- D. 396,625 \* 8/1998 Vesudeva ..... D8/107
- D. 398,828 \* 9/1998 Shiao ..... D8/107
- 3,683,984 \* 8/1972 Hull ..... 81/177.4

- 4,227,430 \* 10/1980 Jansson et al. .... 81/177.4
- 4,372,362 \* 2/1983 Ahn ..... 81/177.4
- 5,351,404 \* 10/1994 Smith ..... 30/366
- 5,491,898 \* 2/1996 Riley ..... 30/366
- 5,704,260 \* 1/1998 Huang ..... 81/177.4

\* cited by examiner

*Primary Examiner*—Philip S. Hyder

(74) *Attorney, Agent, or Firm*—Harry M. Fleck

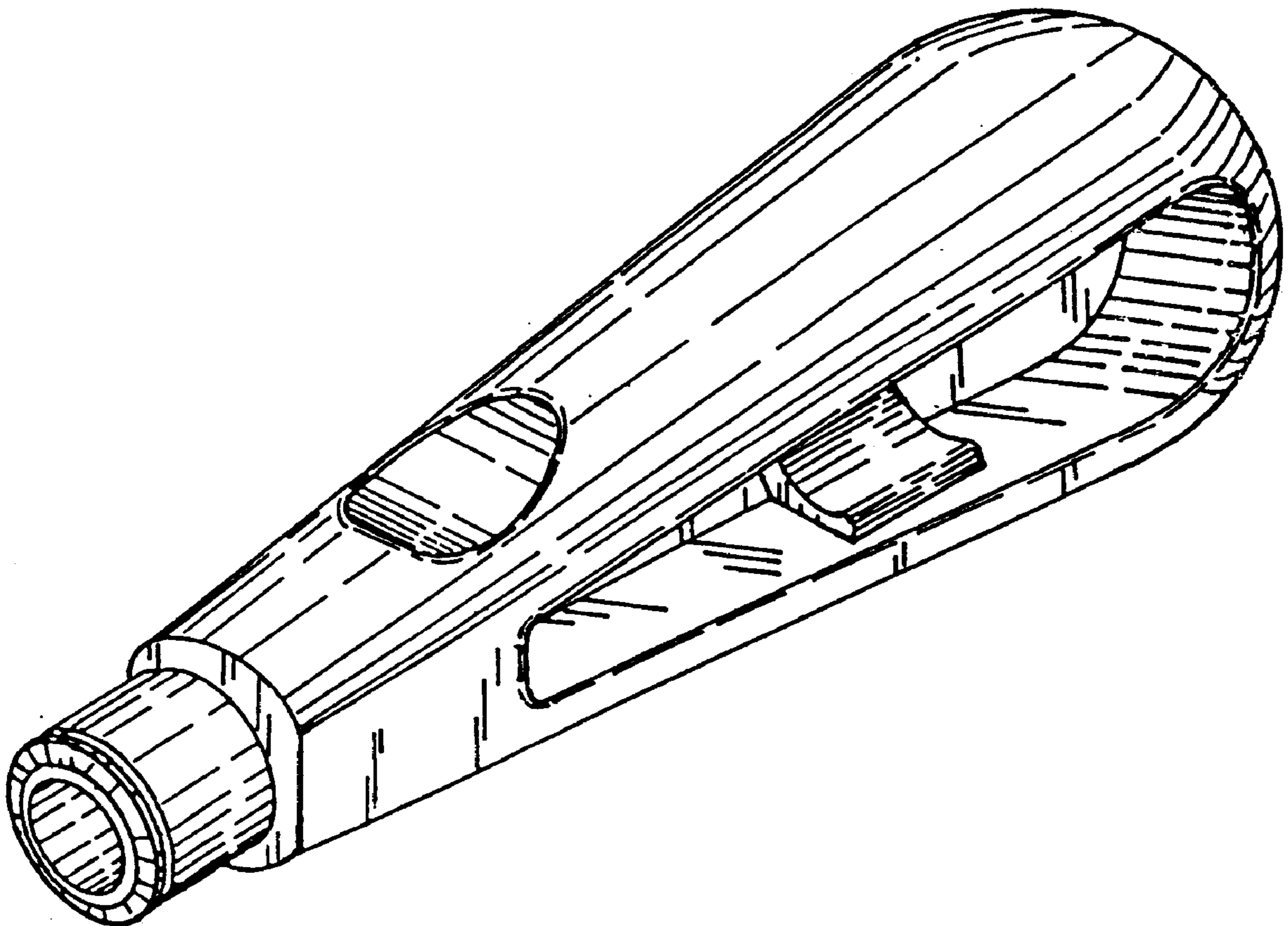
(57) **CLAIM**

We claim the ornamental design for punchdown tool, as shown.

**DESCRIPTION**

FIG. 1 is an isometric view of the present invention from the top and right sides;  
 FIG. 2 is an isometric view from the bottom and right sides;  
 FIG. 3 is a top plan view;  
 FIG. 4 is a bottom plan view;  
 FIG. 5 is a right side elevational view;  
 FIG. 6 is a left side elevational view;  
 FIG. 7 is a front end elevational view; and,  
 FIG. 8 is a back end elevation view.

**1 Claim, 3 Drawing Sheets**



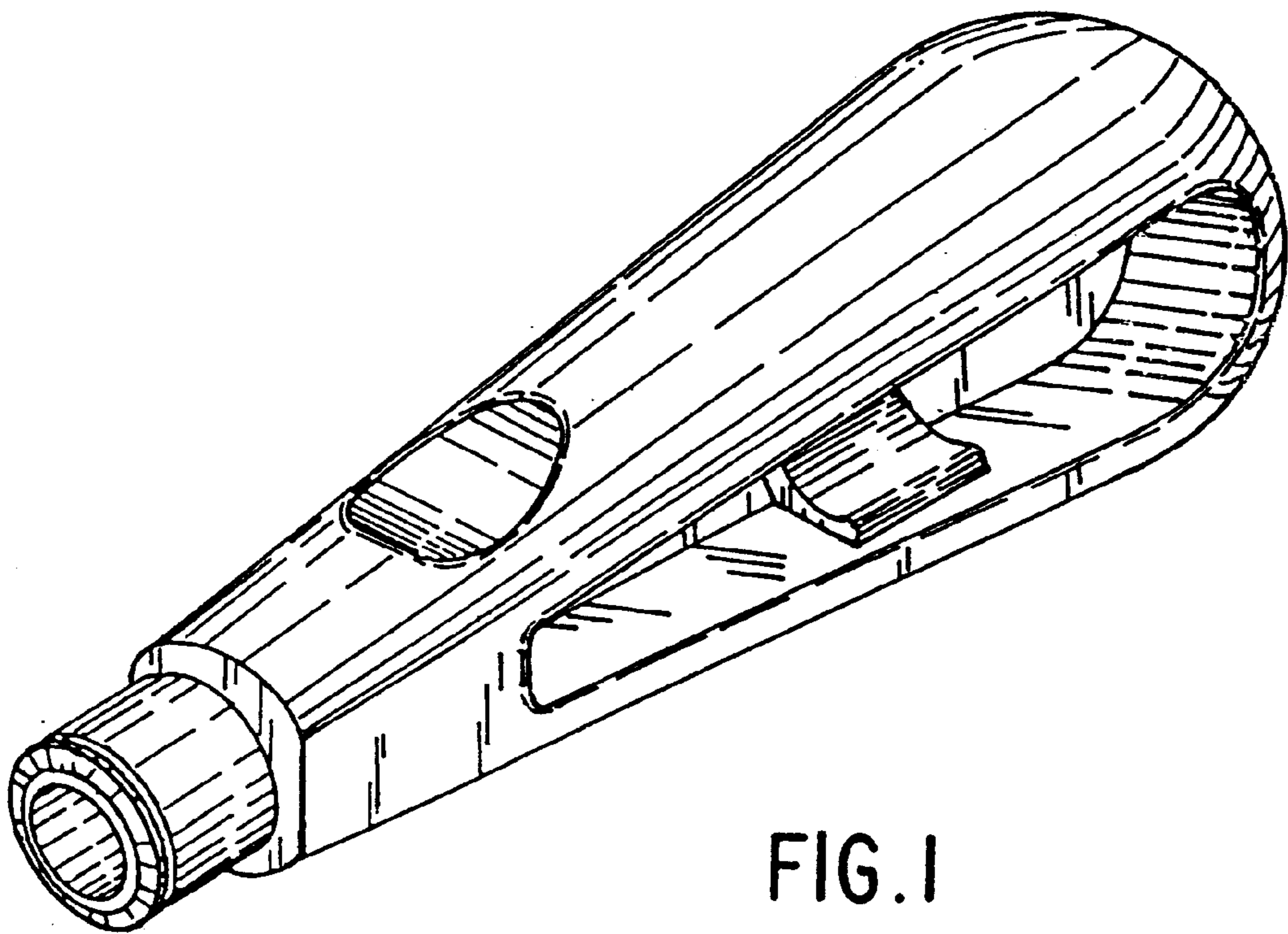


FIG. 1

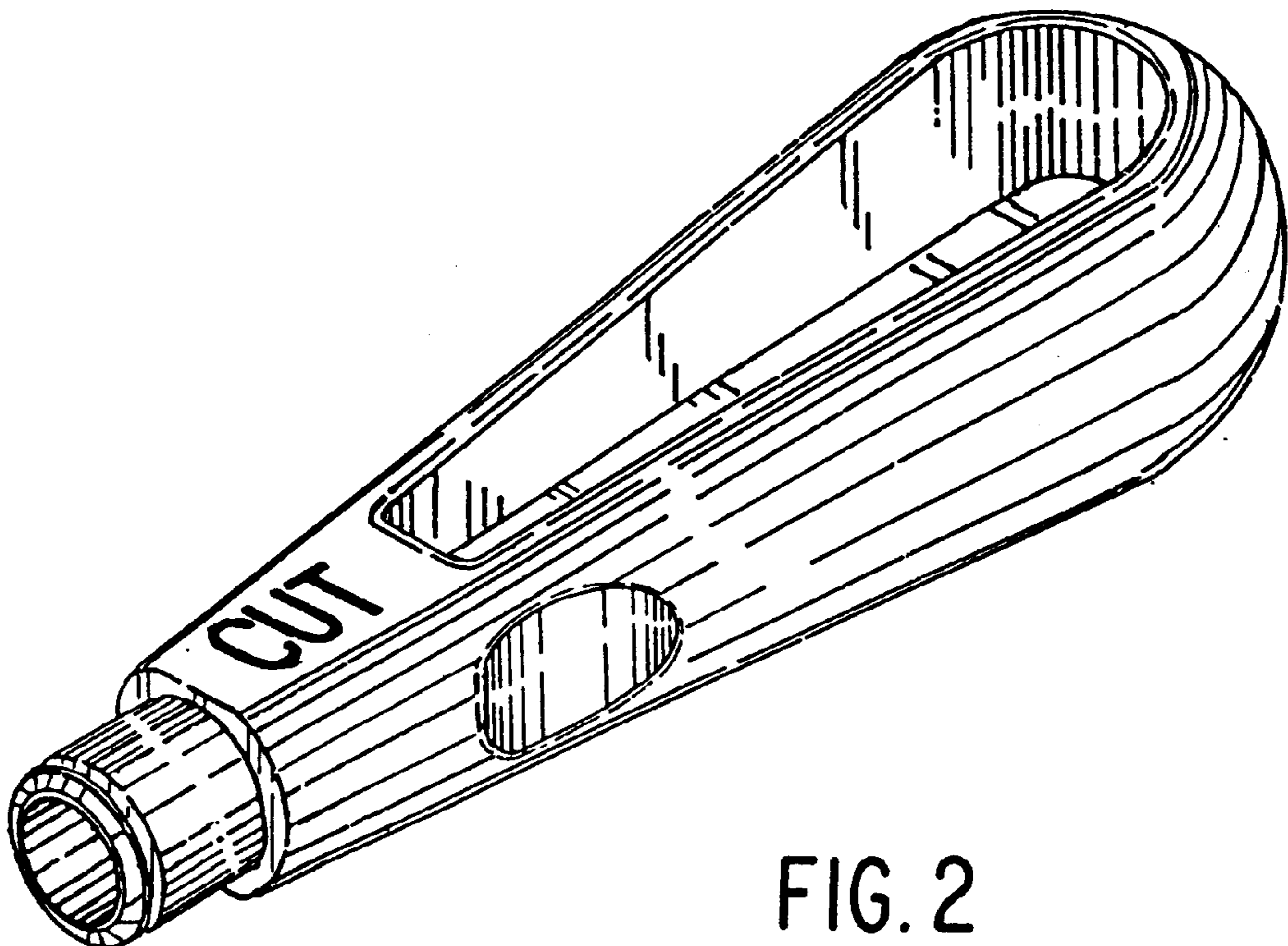


FIG. 2

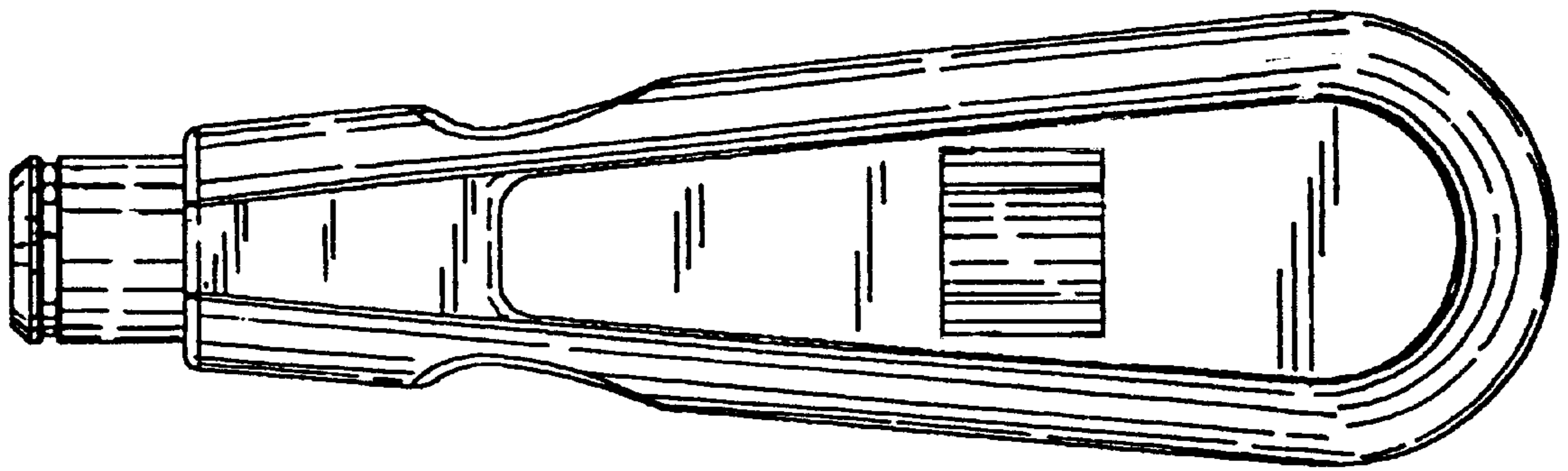


FIG. 3

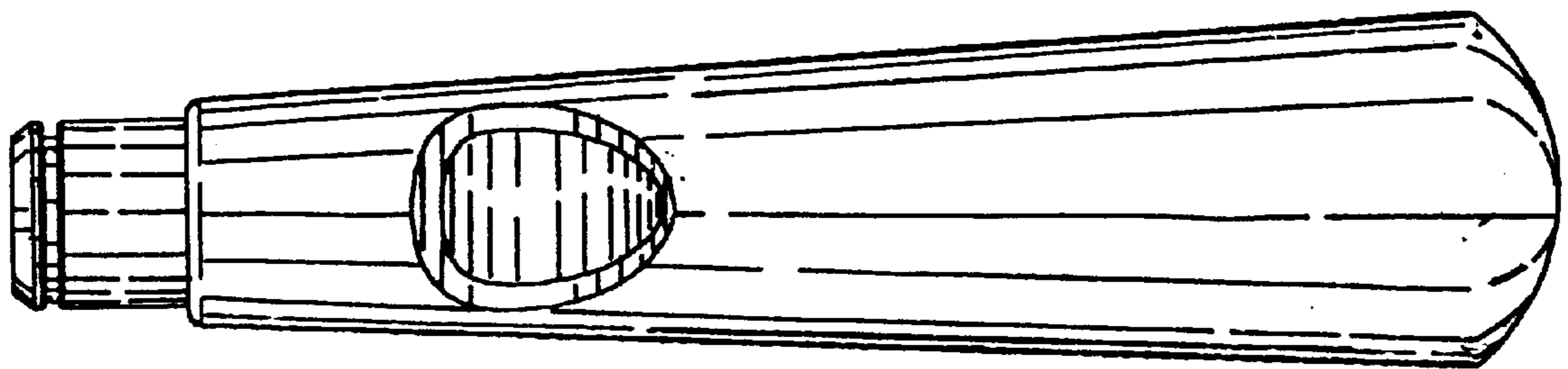


FIG. 5

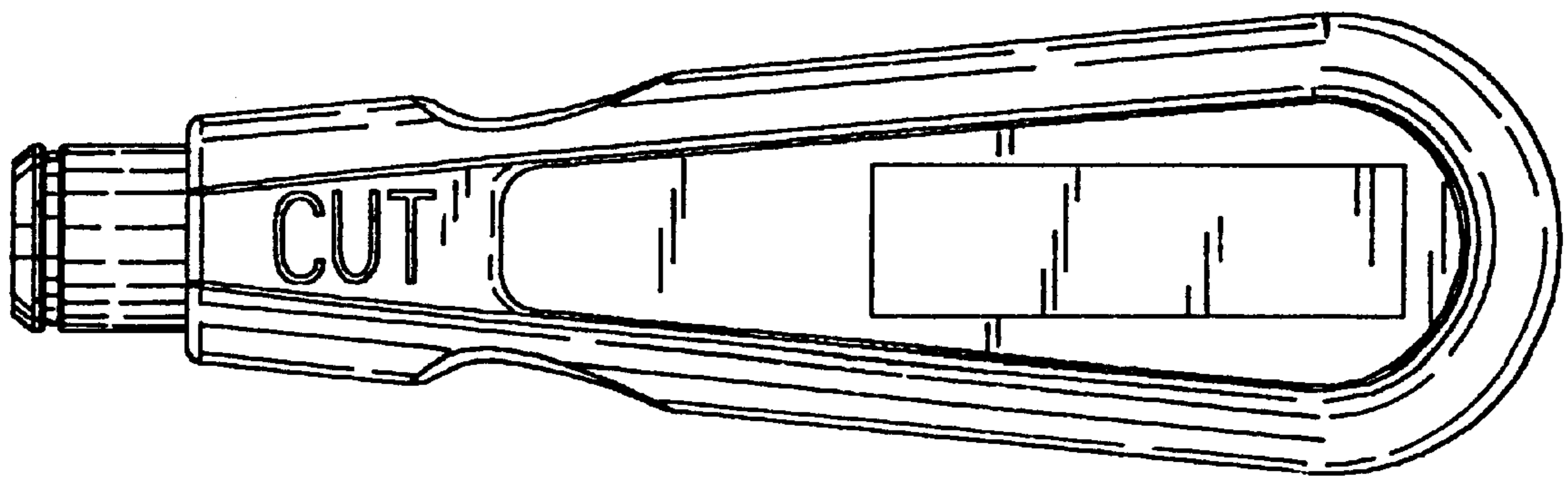


FIG. 4

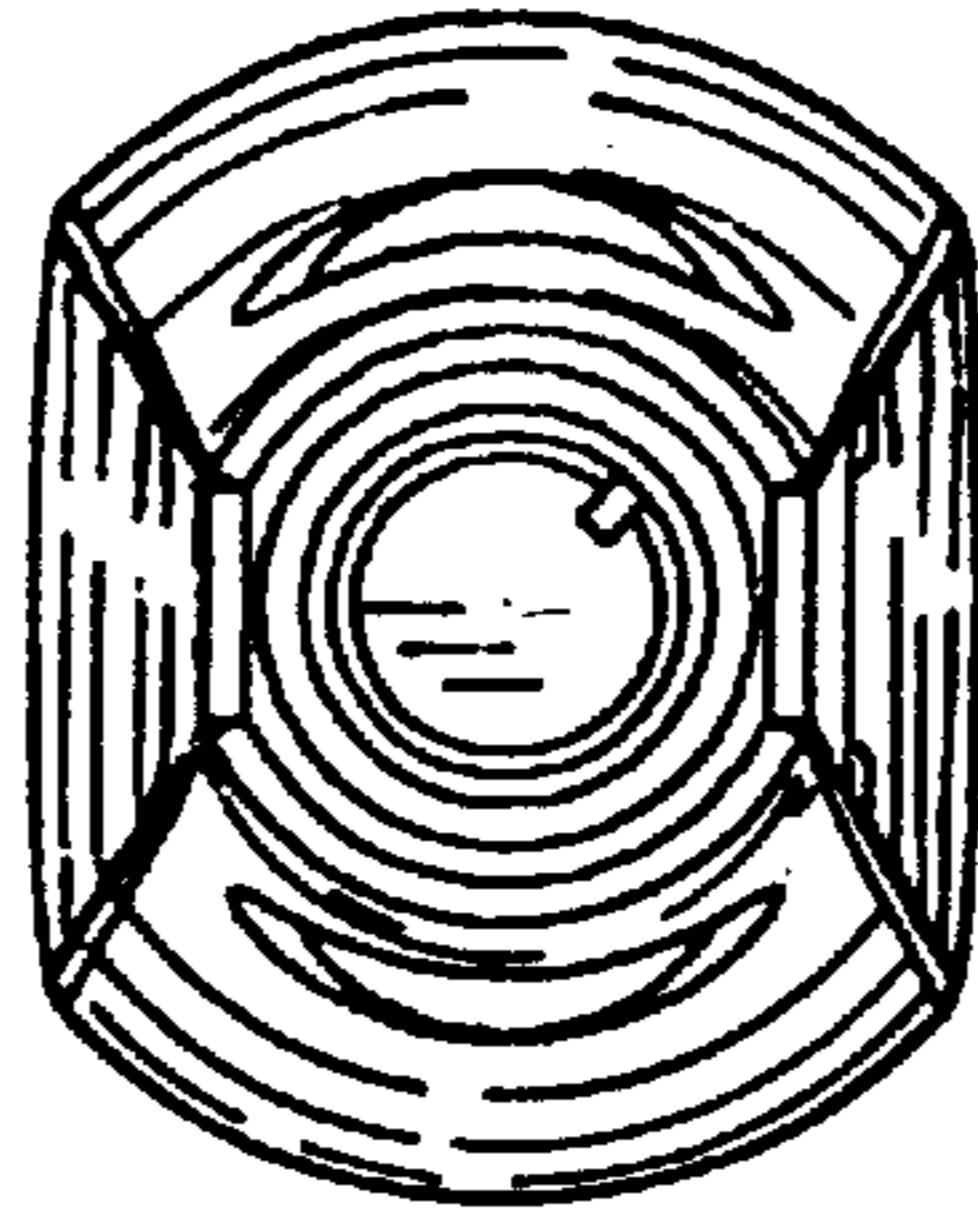


FIG. 7

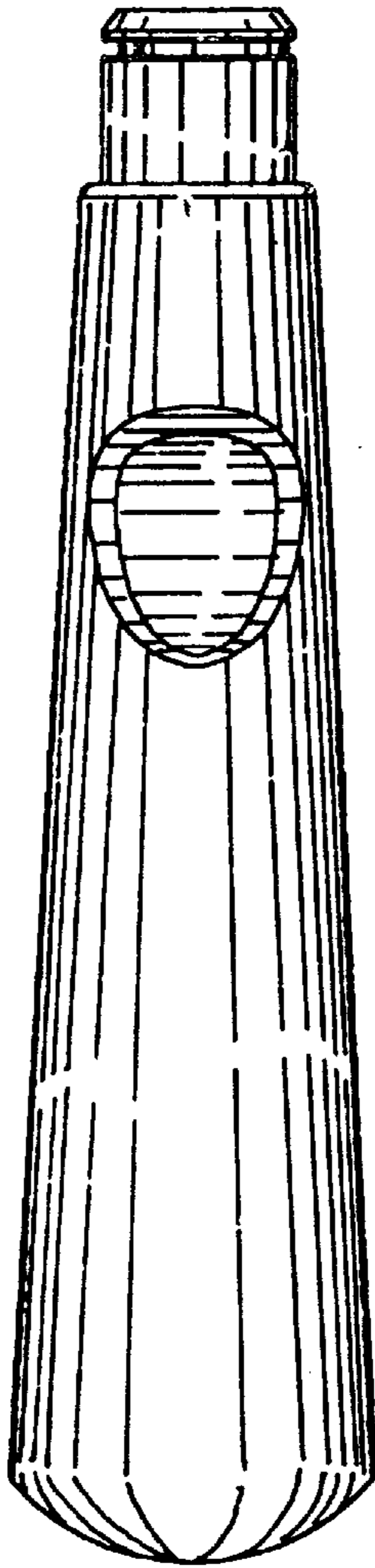


FIG. 6

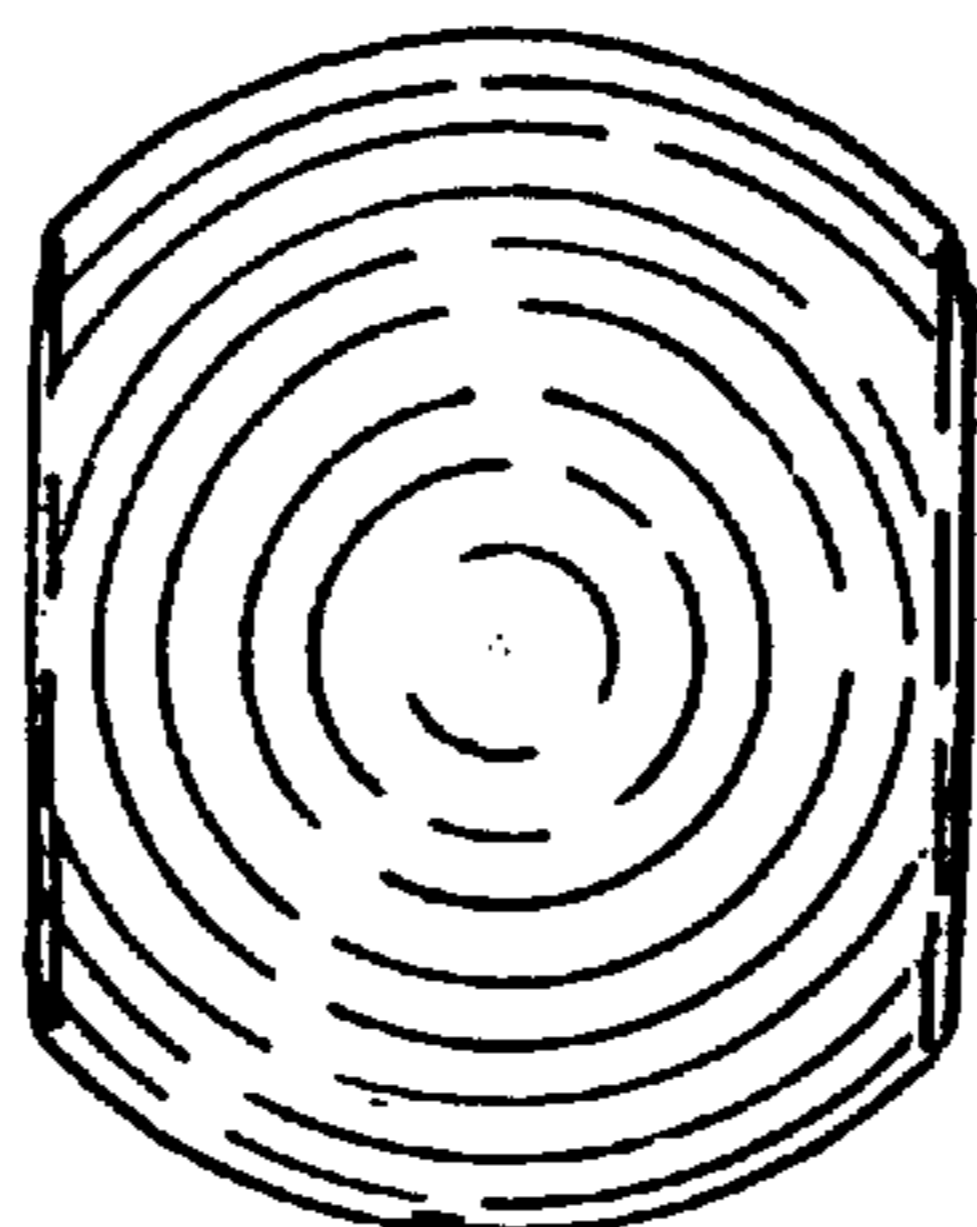


FIG. 8