



US00D448643B1

(12) **United States Design Patent**  
**Hays**

(10) **Patent No.:** **US D448,643 S**

(45) **Date of Patent:** **\*\* Oct. 2, 2001**

(54) **DRESSING STICK HOLDER**

(76) Inventor: **Steven D. Hays**, 556 Hudson Ave.,  
Newark, OH (US) 43025

(\*\*) Term: **14 Years**

(21) Appl. No.: **29/128,500**

(22) Filed: **Aug. 28, 2000**

(51) **LOC (7) Cl.** ..... **08-05**

(52) **U.S. Cl.** ..... **D8/90**

(58) **Field of Search** ..... D8/90, 70; D15/124,  
D15/138; 451/443, 512, 513, 540, 511,  
514, 475

(56) **References Cited**

**U.S. PATENT DOCUMENTS**

- D. 237,039 \* 10/1975 Bartlett ..... D8/90
- D. 308,623 \* 6/1990 Nishiki ..... D8/70

- 2,662,519 \* 12/1953 Metzger ..... 451/443
- 2,826,014 \* 3/1958 Field ..... 451/514
- 3,110,137 \* 11/1963 Gross ..... 451/512
- 3,129,541 \* 4/1964 Field ..... 451/511
- 4,197,680 \* 4/1980 Althen et al. .... 451/475

\* cited by examiner

*Primary Examiner*—Philip S. Hyder

(74) *Attorney, Agent, or Firm*—Charles F. Schroeder

(57) **CLAIM**

The ornamental design for a dressing stick holder, as shown and described.

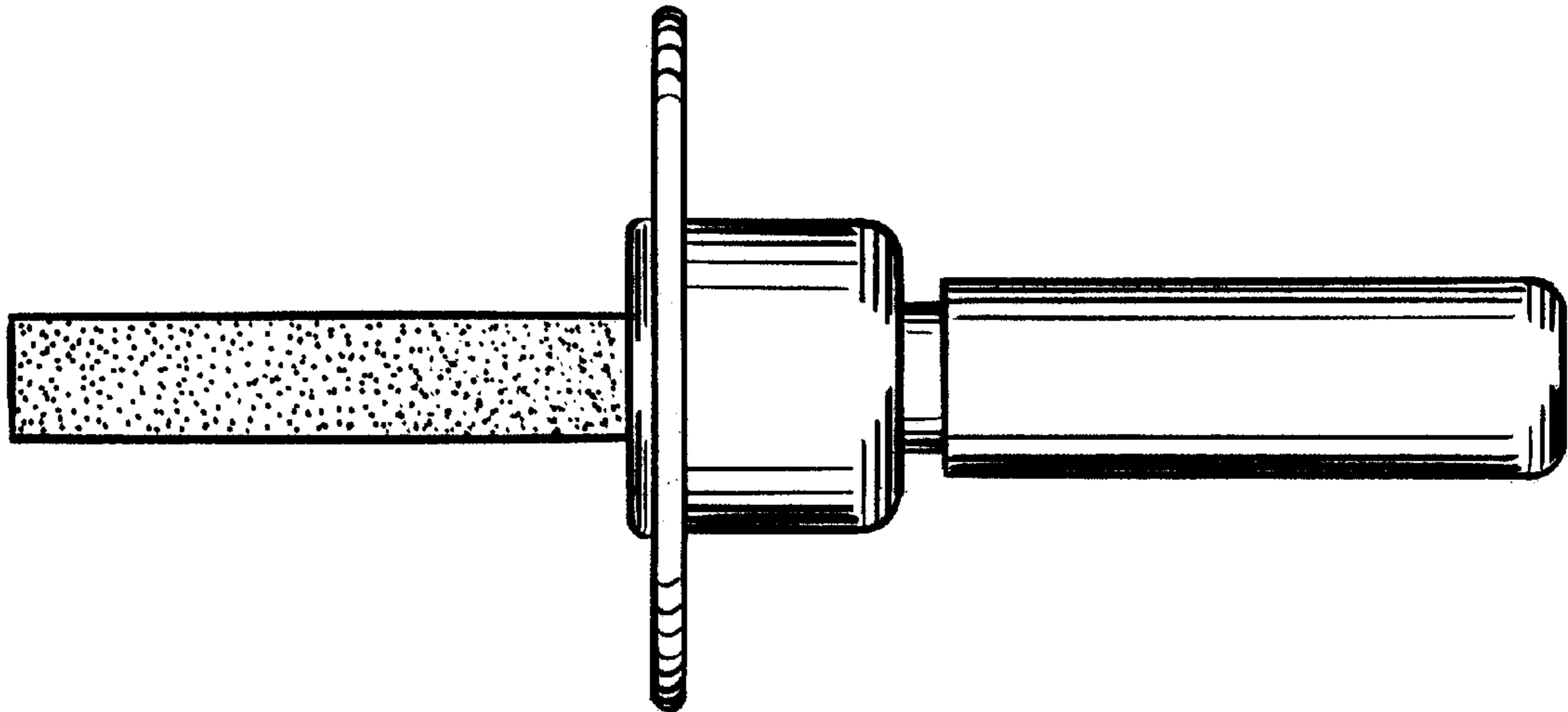
**DESCRIPTION**

FIG. 1 is a side elevation view of a dressing stick holder showing my new design;

FIG. 2 is a front end view thereof; and,

FIG. 3 is a rear end view thereof.

**1 Claim, 1 Drawing Sheet**



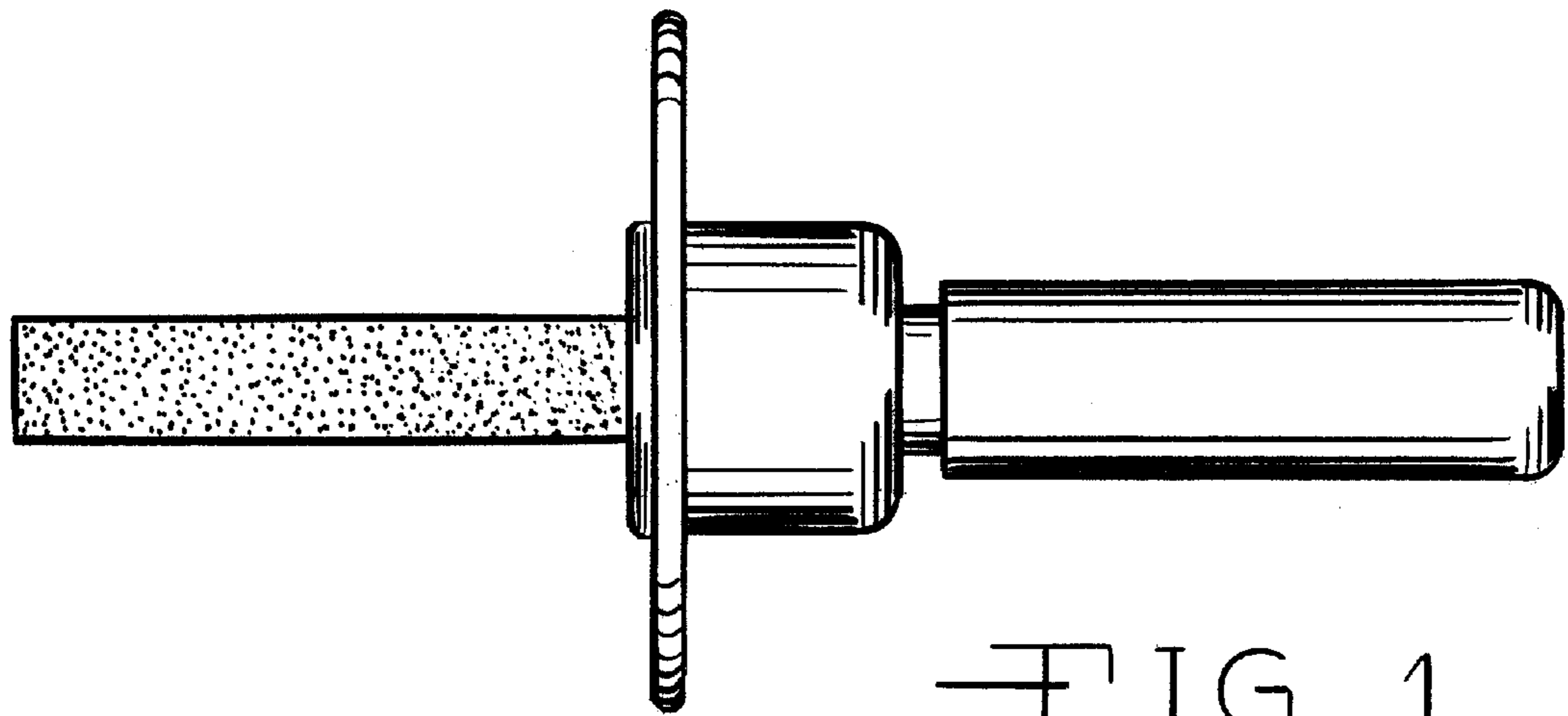


FIG. 1

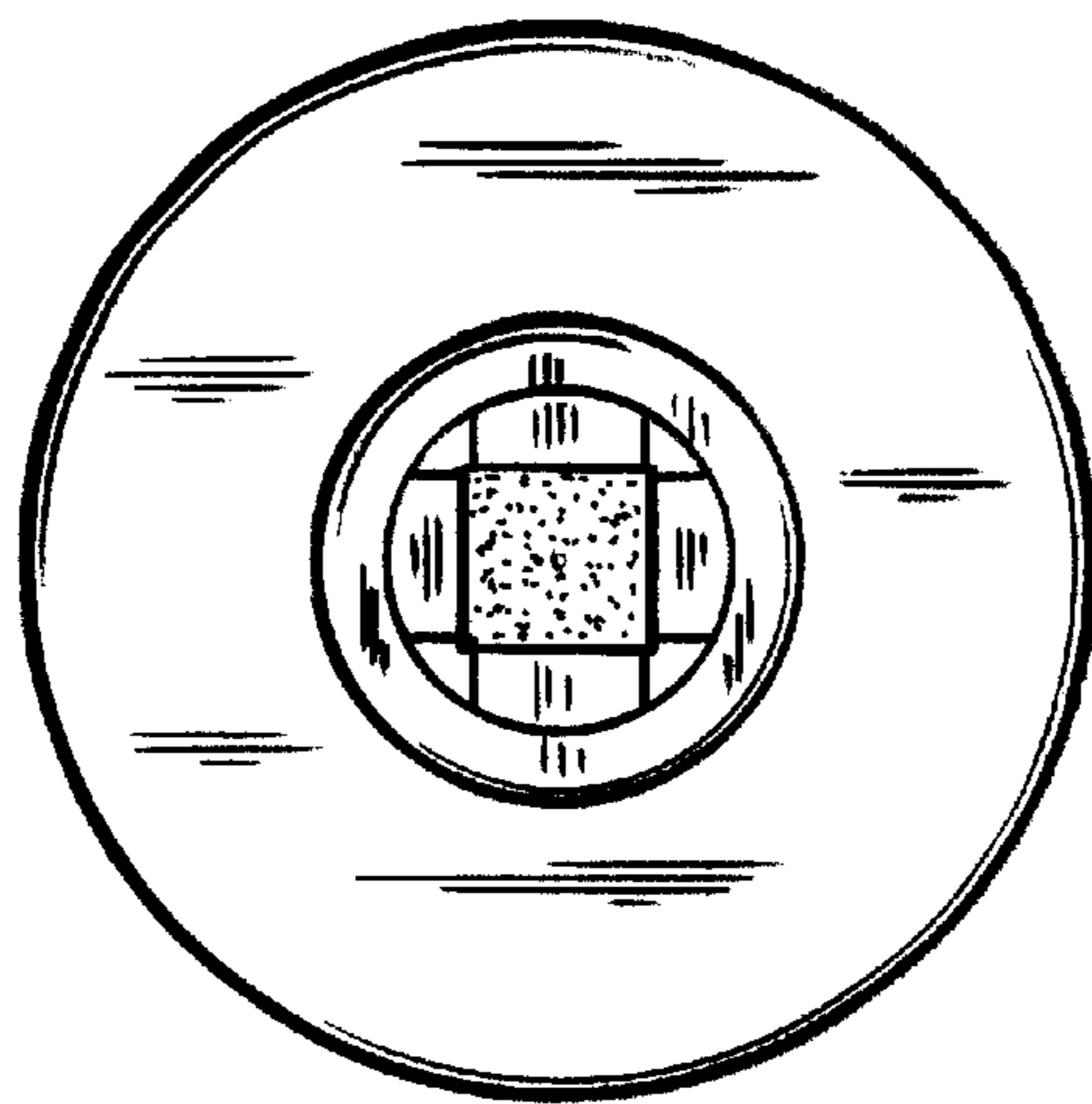


FIG. 2

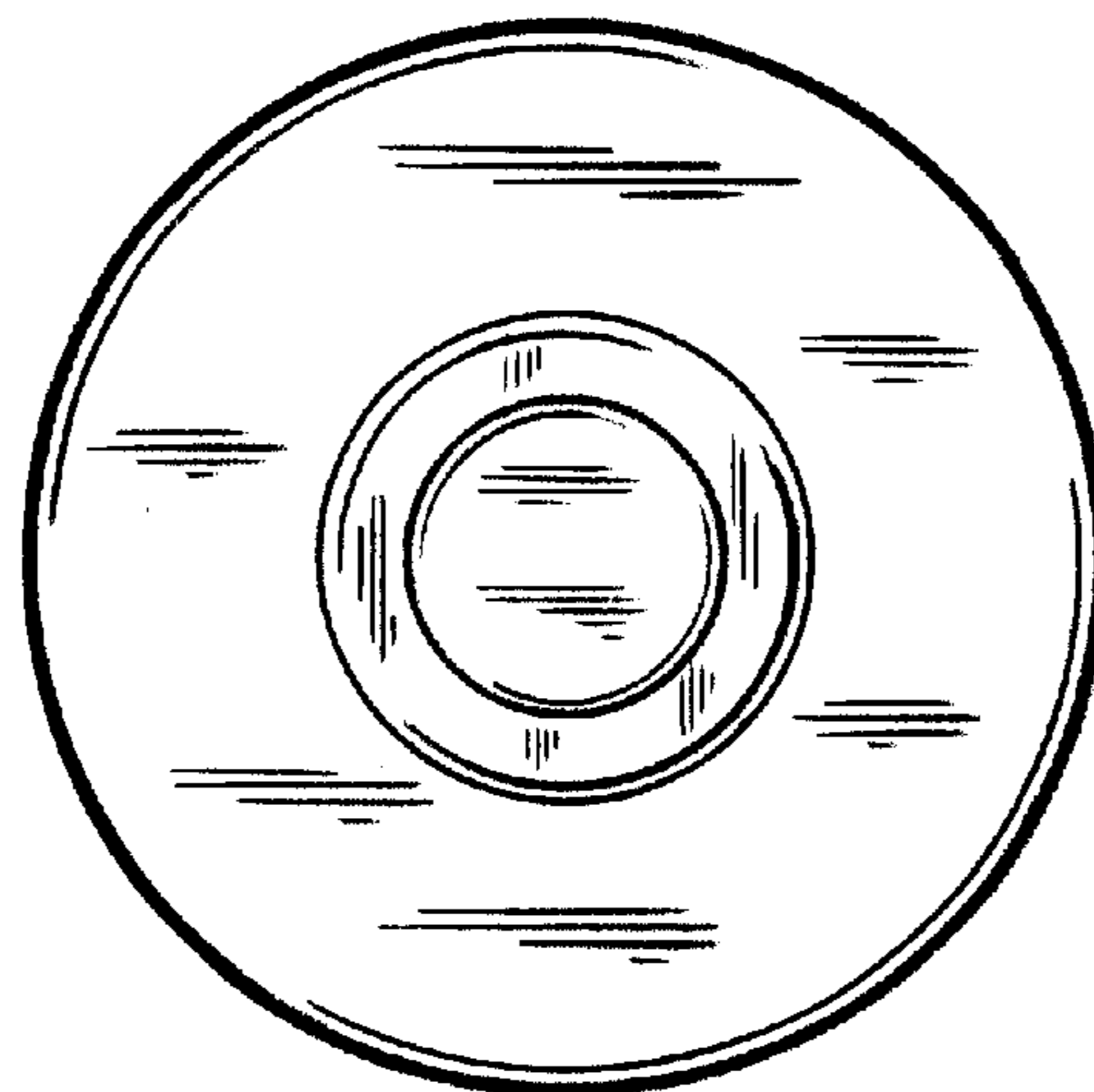


FIG. 3