



US00D448638B1

(12) **United States Design Patent**
Uhl et al.

(10) **Patent No.:** **US D448,638 S**

(45) **Date of Patent:** **** Oct. 2, 2001**

(54) **HAND-HELD DRILL**

(75) Inventors: **Klaus-Martin Uhl**, Baltmannsweiler;
Michael Tinius, Elchingen, both of
(DE)

(73) Assignee: **Andreas Stihl AG & Co.** (DE)

(**) Term: **14 Years**

(21) Appl. No.: **29/123,668**

(22) Filed: **May 22, 2000**

(30) **Foreign Application Priority Data**

Nov. 20, 1999 (DE) 4 99 10 960

(51) **LOC (7) Cl.** **08-01**

(52) **U.S. Cl.** **D8/67**

(58) **Field of Search** D8/61-70; 81/57.11,
81/54, 57.42; 173/170, 217, 169, 216, 213,
164, 48, 221, 168; 451/357-359, 344; 310/50;
D15/1

(56) **References Cited**

U.S. PATENT DOCUMENTS

D. 167,415	*	8/1952	McCabe	D8/69
D. 180,923	*	9/1957	Anton	D8/67
D. 224,811	*	9/1972	Burkett et al.	D15/1
D. 237,455	*	11/1975	Schann	D8/69
D. 276,160	*	10/1984	Tuggle et al.	D15/1
D. 301,300	*	5/1989	Sasaki et al.	D8/68

D. 301,967	*	7/1989	Sakamoto et al.	D8/67
D. 310,936	*	10/1990	Saito et al.	D8/67
D. 329,438	*	9/1992	Asano et al.	D15/132
D. 329,794	*	9/1992	Graham	D8/68
D. 361,336	*	8/1995	Tinius	D15/1
D. 395,586	*	6/1998	Arakawa et al.	D8/69
3,053,100	*	9/1962	Luhm	173/170 X
3,837,409	*	9/1974	Consoli et al.	173/48
3,990,523	*	11/1976	Schramm et al.	173/162.2
5,947,210	*	9/1999	Sasaki et al.	173/178

* cited by examiner

Primary Examiner—Jeffrey Asch

(74) *Attorney, Agent, or Firm*—R. W. Becker & Associates;
R. W. Becker

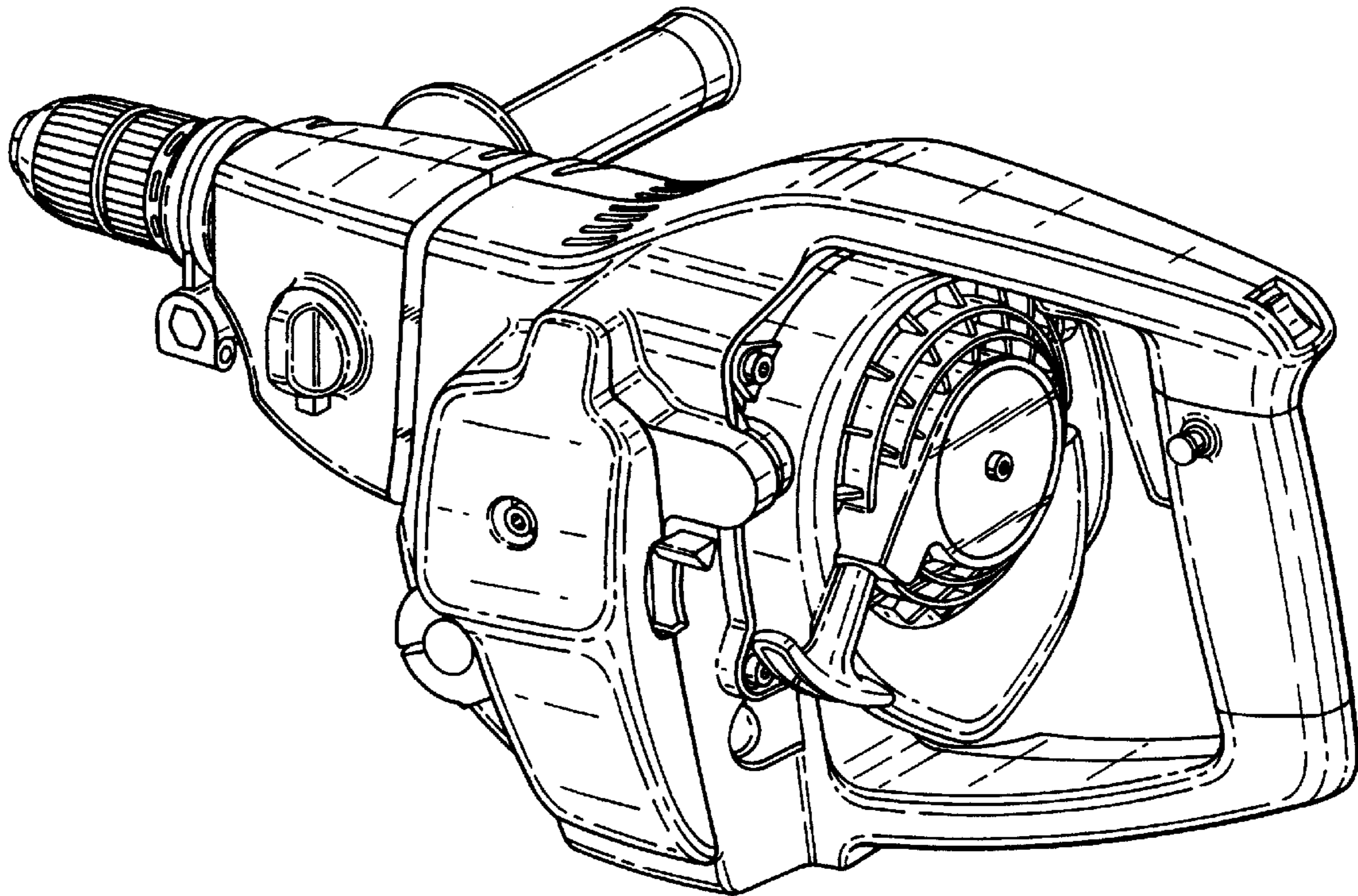
(57) **CLAIM**

The ornamental design for a hand-held drill, as shown and described.

DESCRIPTION

FIG. 1 is a perspective view of a hand-held drill showing one embodiment of our new design;
FIG. 2 is a top view thereof;
FIG. 3 is a left side view thereof;
FIG. 4 is a right side view thereof;
FIG. 5 is a bottom view thereof;
FIG. 6 is a front view thereof; and,
FIG. 7 is a rear view thereof.

1 Claim, 4 Drawing Sheets



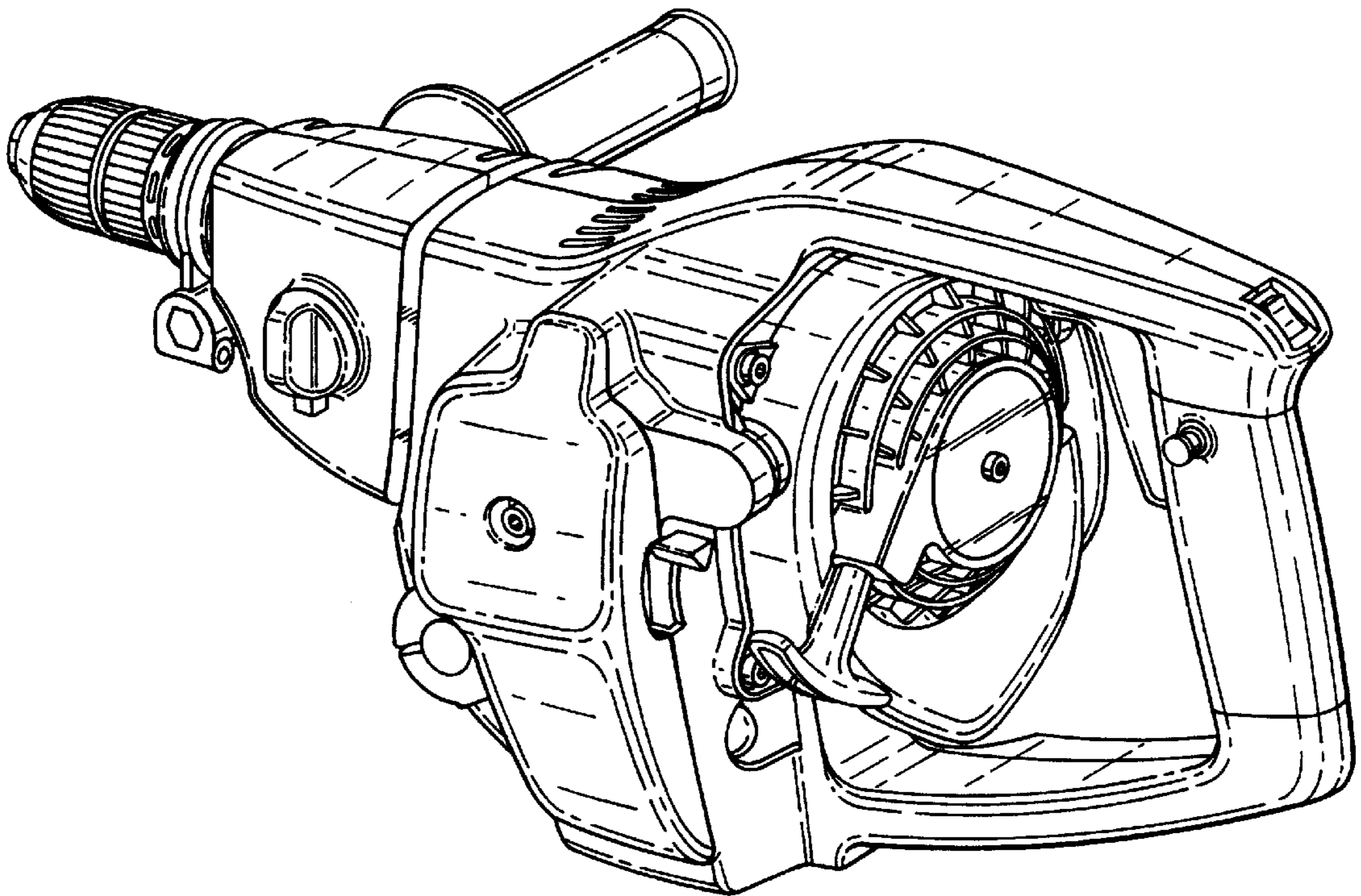


Fig. 1

Fig. 2

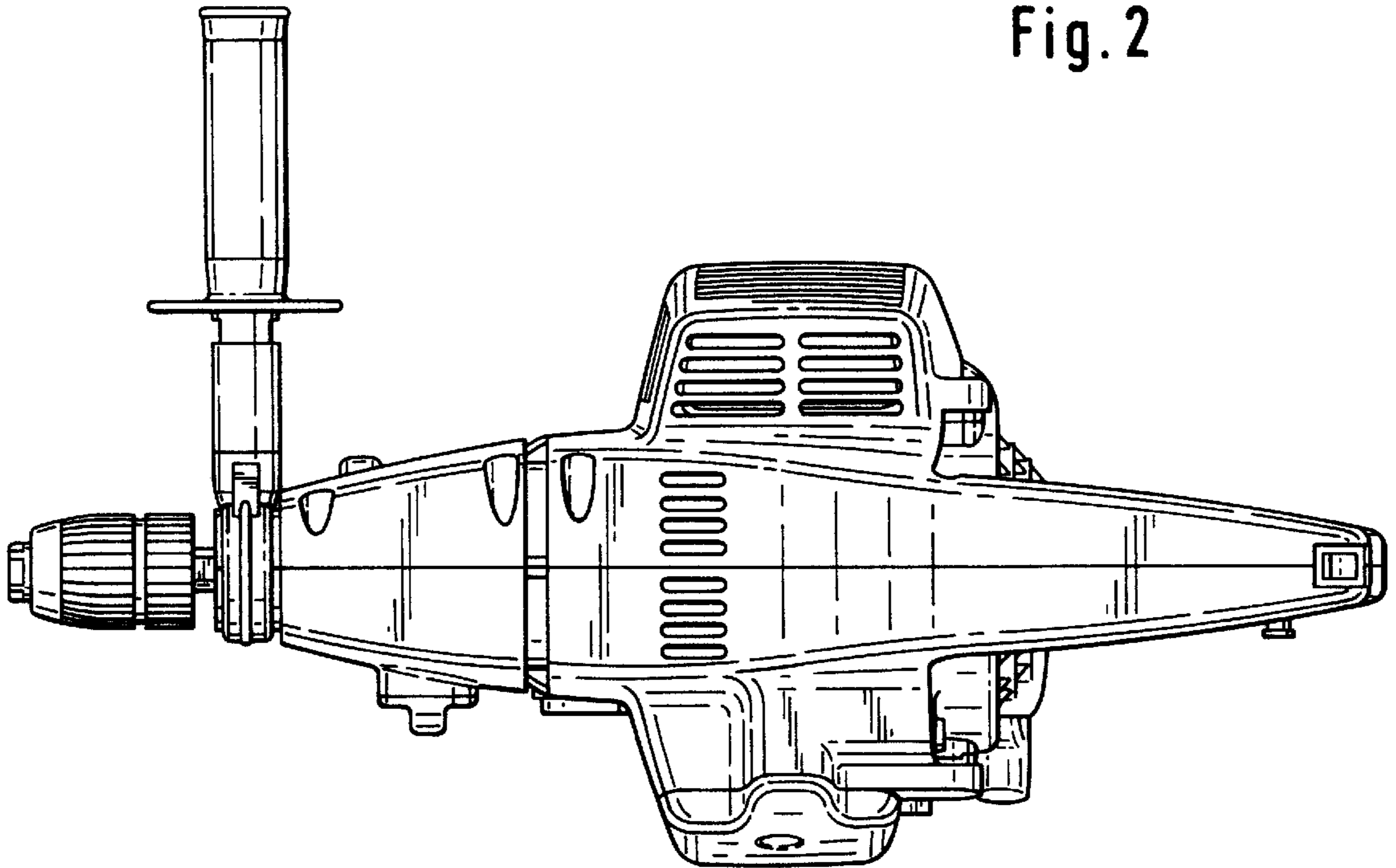


Fig. 3

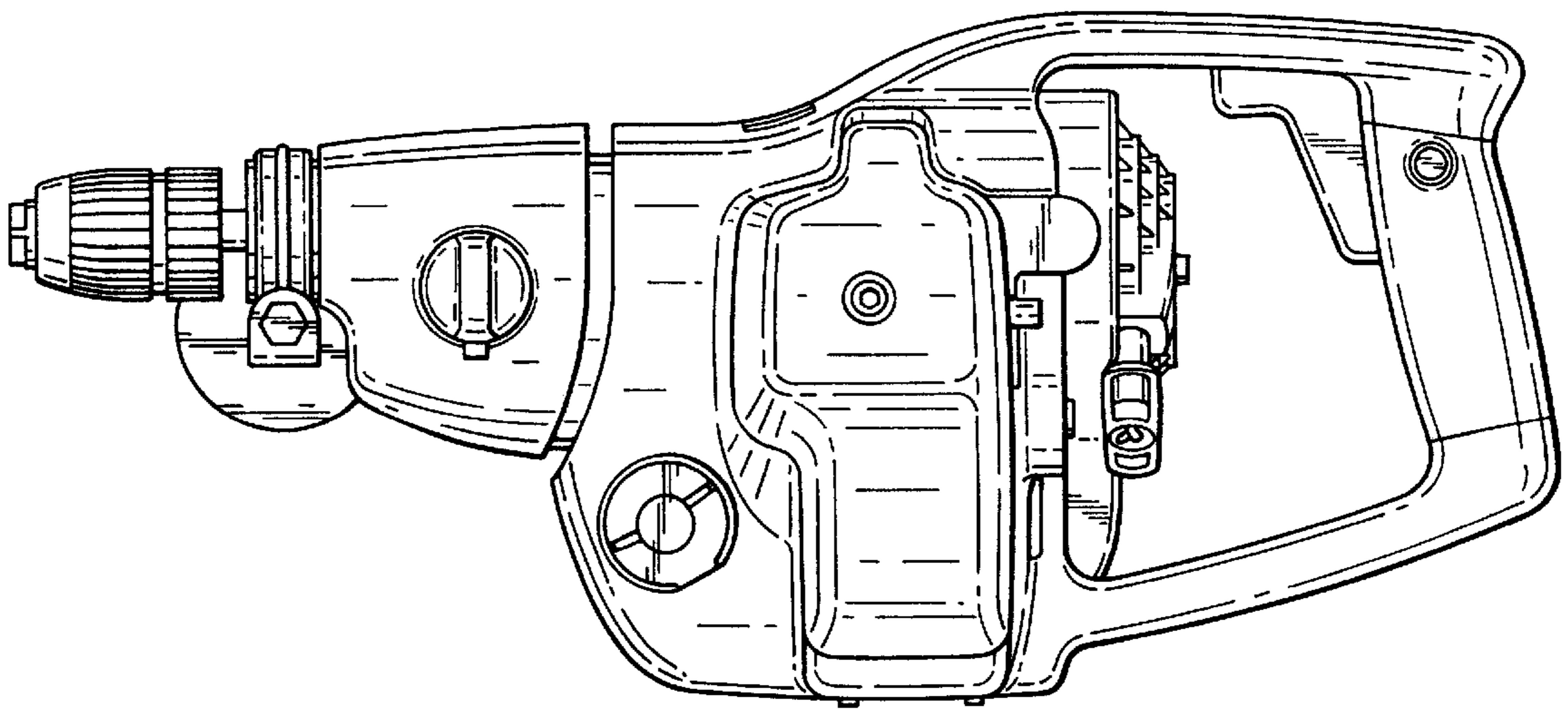


Fig. 4

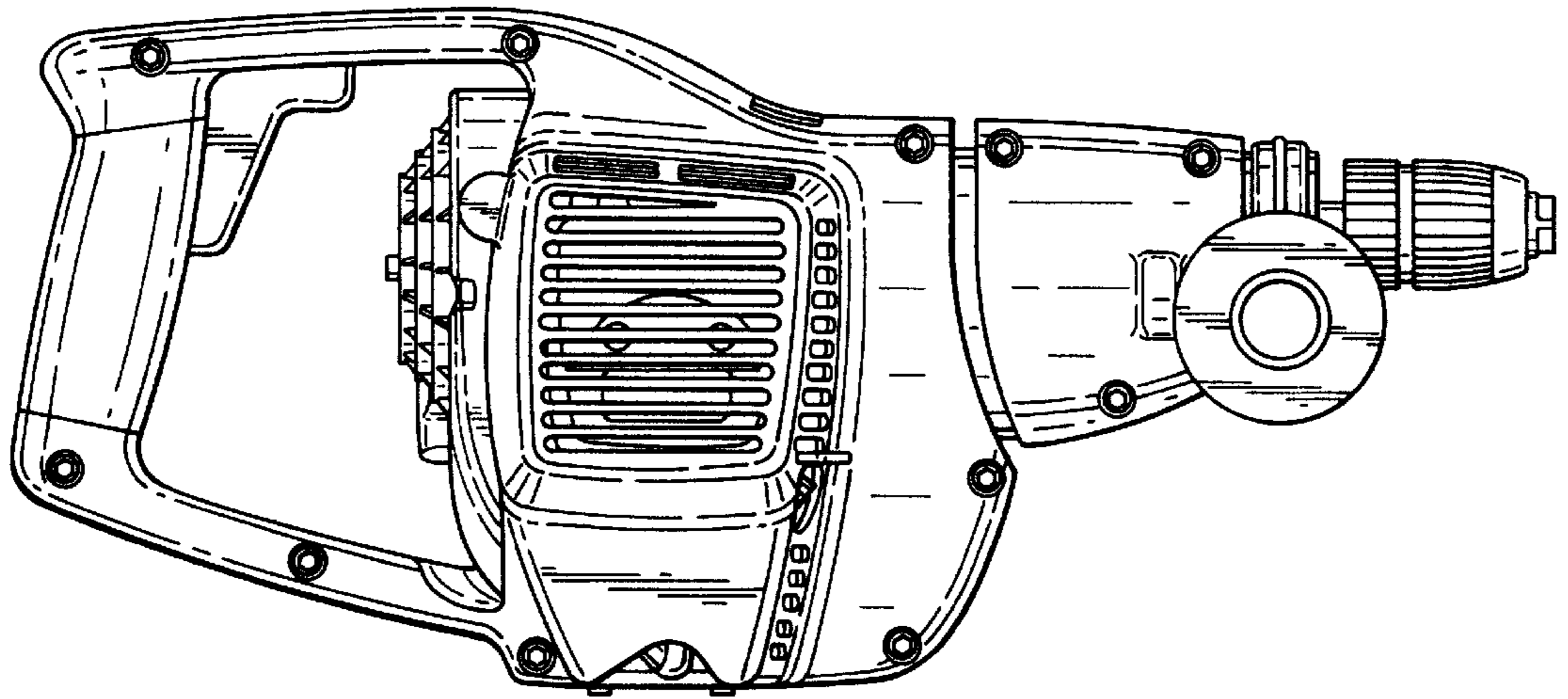


Fig. 5

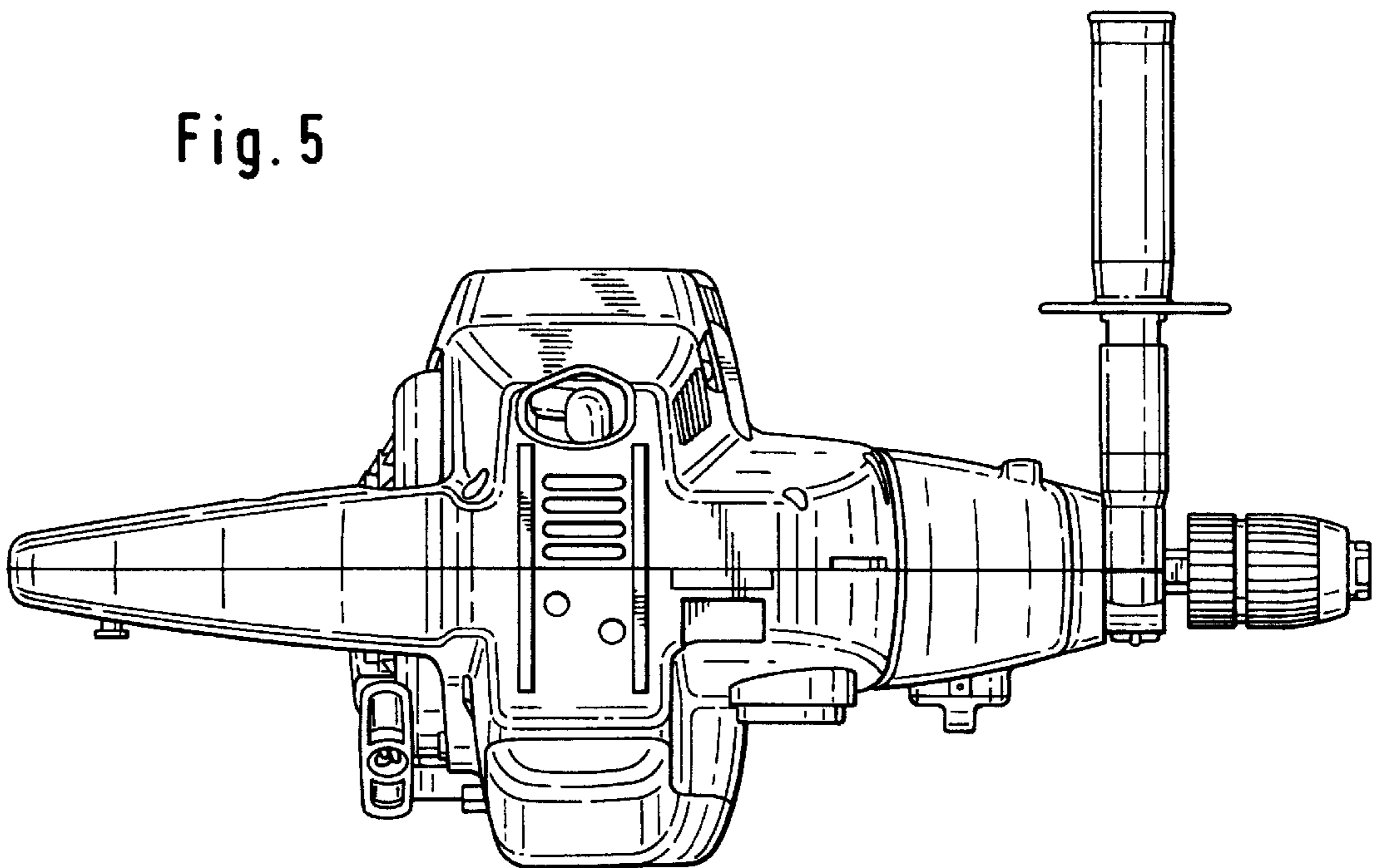


Fig. 6

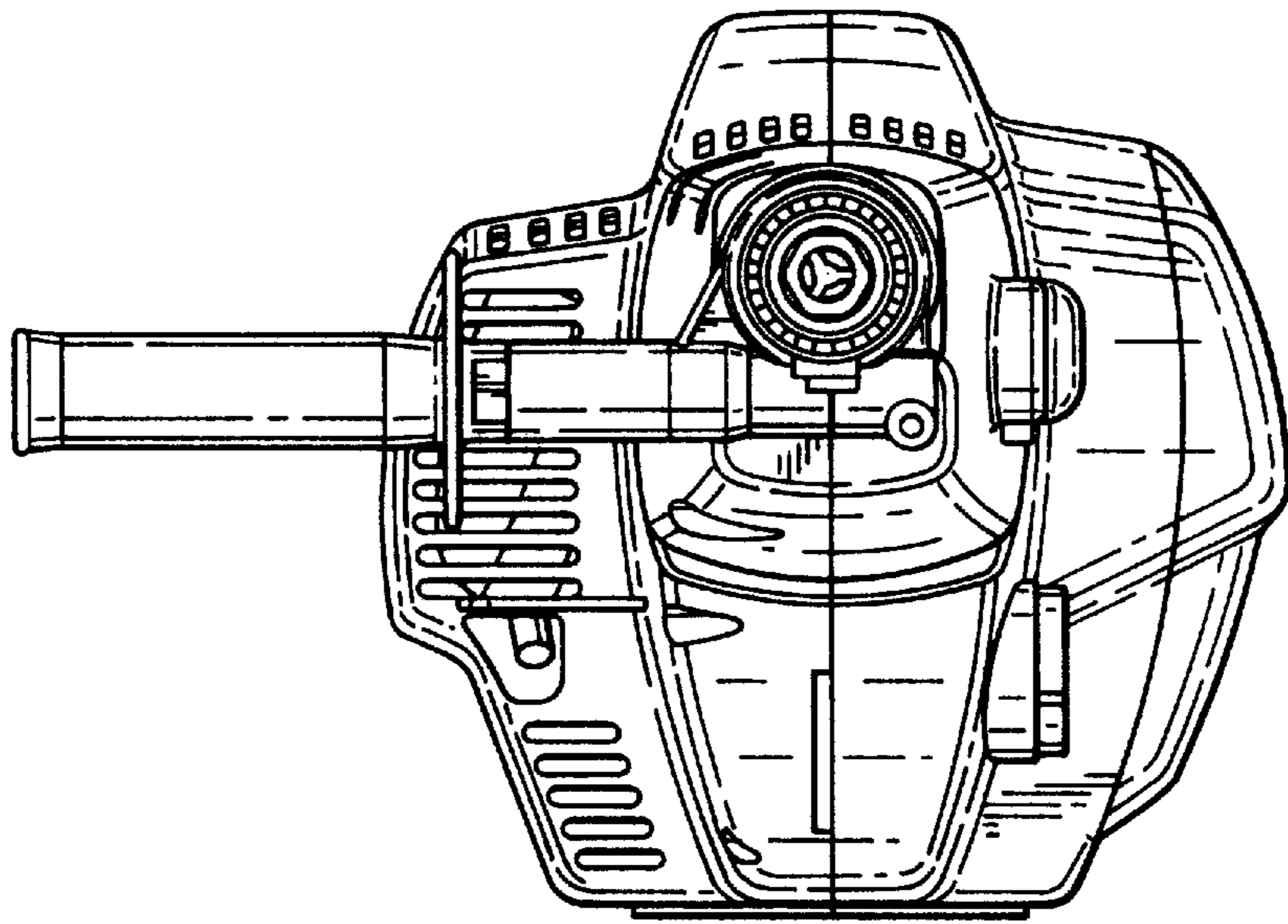


Fig. 7

